



US00D819030S

(12) **United States Design Patent** (10) **Patent No.:** **US D819,030 S**  
**Seo et al.** (45) **Date of Patent:** **\*\* May 29, 2018**

(54) **COMPUTER MONITOR**

(71) Applicant: **Samsung Electronics Co., Ltd.**,  
Suwon-si (KR)

(72) Inventors: **Young Jin Seo**, Seoul (KR); **Taeyeon Won**, Seoul (KR)

(73) Assignee: **SAMSUNG ELECTRONICS CO., LTD.**, Suwon-si (KR)

(\*\*) Term: **15 Years**

(21) Appl. No.: **29/595,513**

(22) Filed: **Feb. 28, 2017**

(30) **Foreign Application Priority Data**

Sep. 1, 2016 (JP) ..... 30-2016-0043062

(51) **LOC (11) Cl.** ..... **14-02**

(52) **U.S. Cl.**  
USPC ..... **D14/374**

(58) **Field of Classification Search**

USPC ..... D14/371-375, 125-129, 336, 337;  
D6/300, 308; D19/113, 114; D20/10  
CPC ..... G09F 15/0025; G09F 15/0062; G09F  
15/0068; G06F 1/16; G06F 1/1613; G06F  
1/133308; G06F 1/1601; G06F 3/037;  
G06F 1/162; F16M 11/02; F16M 11/10;  
F16M 11/00; F16M 11/06; F16M 11/18;  
F16M 11/045; F16M 11/105; F16M  
11/041; F16M 11/126; F16M 11/04;  
F16M 11/24; F16M 13/02; A47F 5/00  
See application file for complete search history.

(56) **References Cited**

**U.S. PATENT DOCUMENTS**

D573,118 S \* 7/2008 Yang ..... D14/126  
D653,254 S \* 1/2012 Lu ..... D14/374

D669,077 S \* 10/2012 McManigal ..... D14/374  
D727,898 S \* 4/2015 Yum ..... D14/374  
D752,587 S \* 3/2016 Gong ..... D14/375  
2002/0020792 A1 \* 2/2002 Lee ..... F16M 11/10  
248/278.1  
2006/0237599 A1 \* 10/2006 Ternus ..... F16M 11/10  
248/176.1  
2013/0044411 A1 \* 2/2013 Zhen ..... F16M 11/041  
361/679.01

\* cited by examiner

*Primary Examiner* — Freda S Nunn

(74) *Attorney, Agent, or Firm* — McAndrews Held & Malloy, Ltd.

(57) **CLAIM**

The ornamental design for a computer monitor, as shown and described.

**DESCRIPTION**

FIG. 1 is a front perspective view of a computer monitor showing our new design;  
FIG. 2 is a front elevation view thereof;  
FIG. 3 is a rear elevation view thereof;  
FIG. 4 is a left side elevation view thereof;  
FIG. 5 is a right side elevation view thereof;  
FIG. 6 is a top plan view thereof;  
FIG. 7 is a bottom plan view thereof; and,  
FIG. 8 is a rear perspective view thereof.

The dashed broken lines in the drawings represent portions of the computer monitor that form no part of the claimed design.

The dot-dash broken lines in the drawings represent a boundary line that forms no part of the claimed design.

**1 Claim, 6 Drawing Sheets**

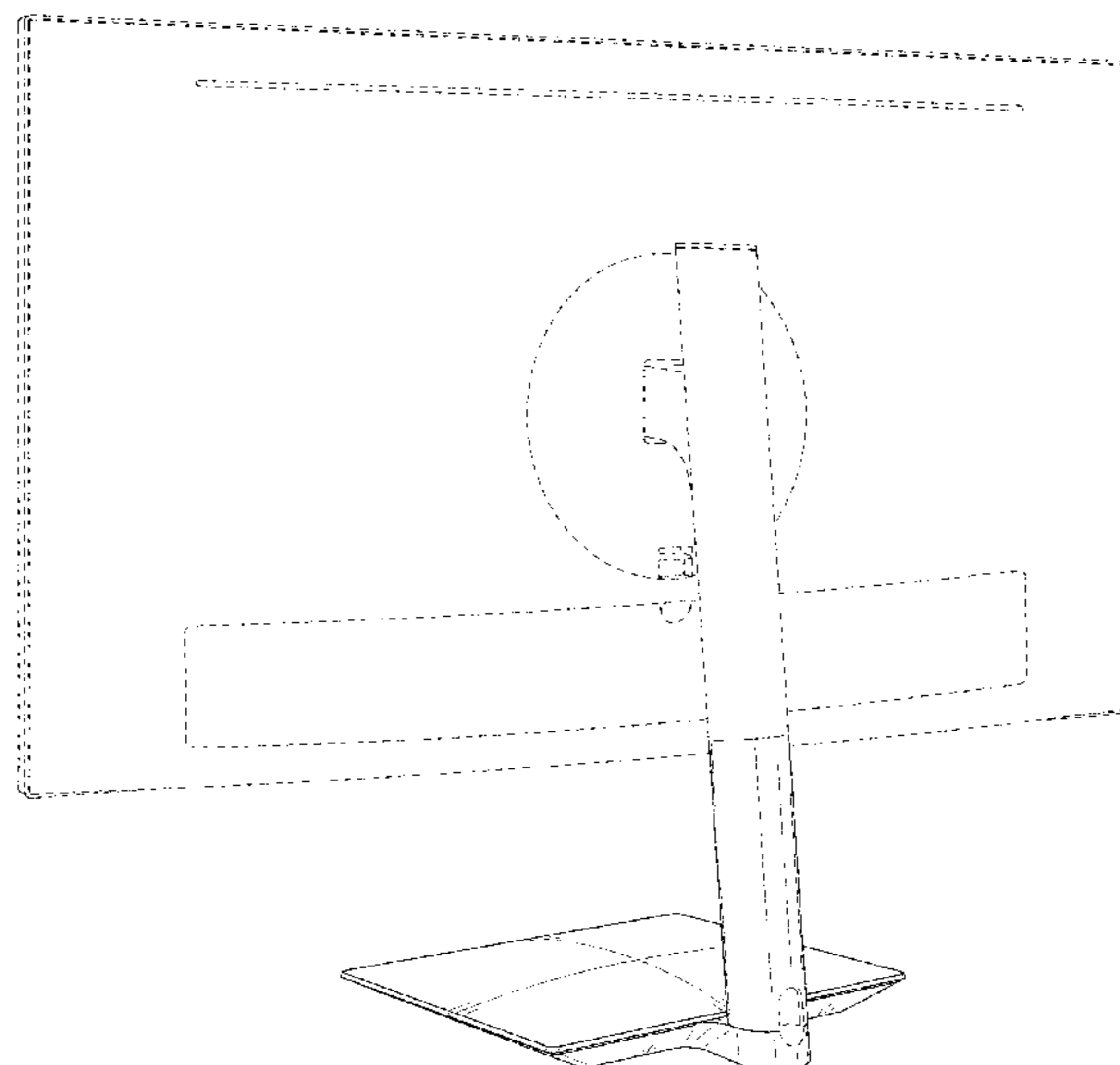


FIG. 1

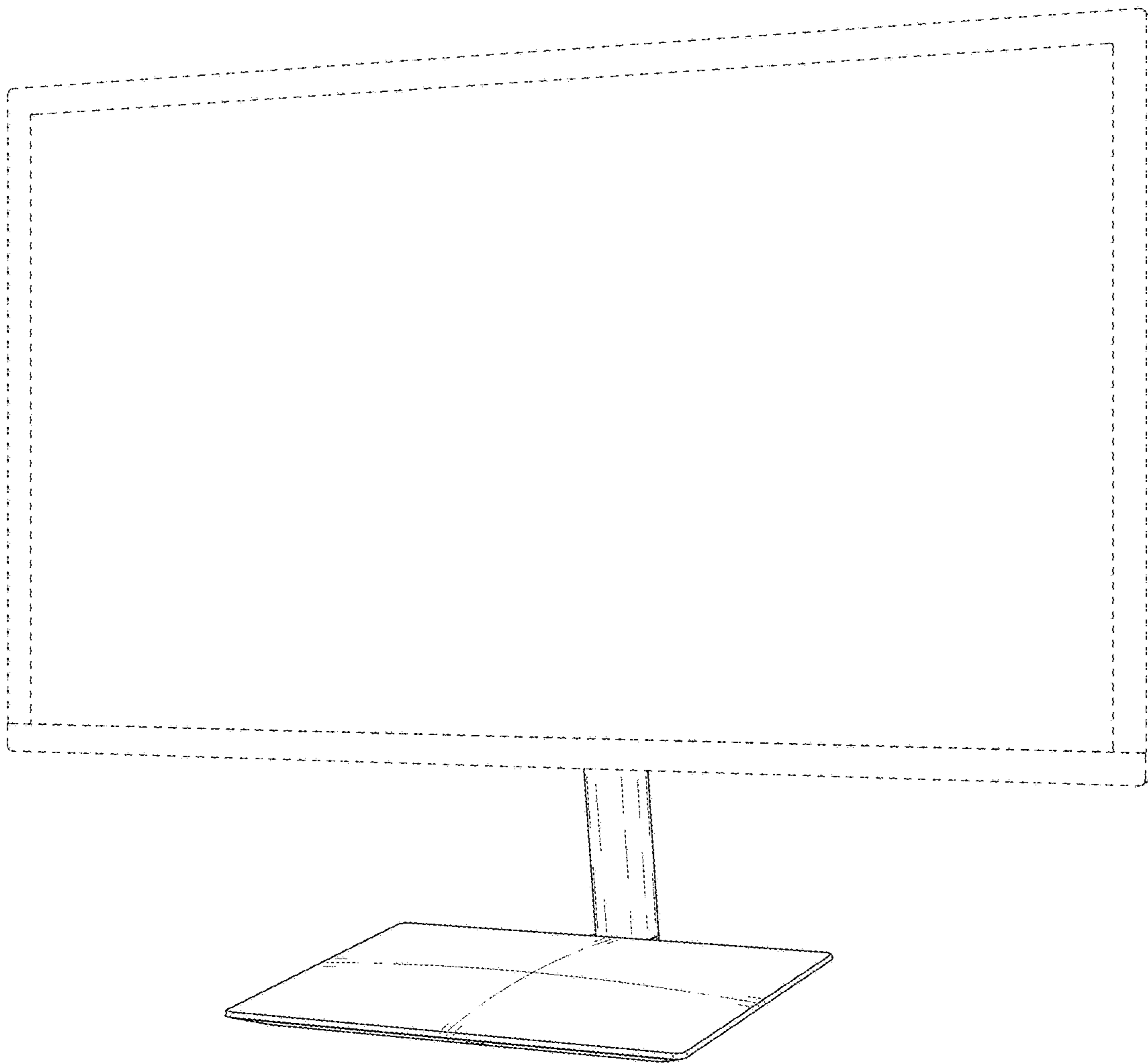


FIG. 2

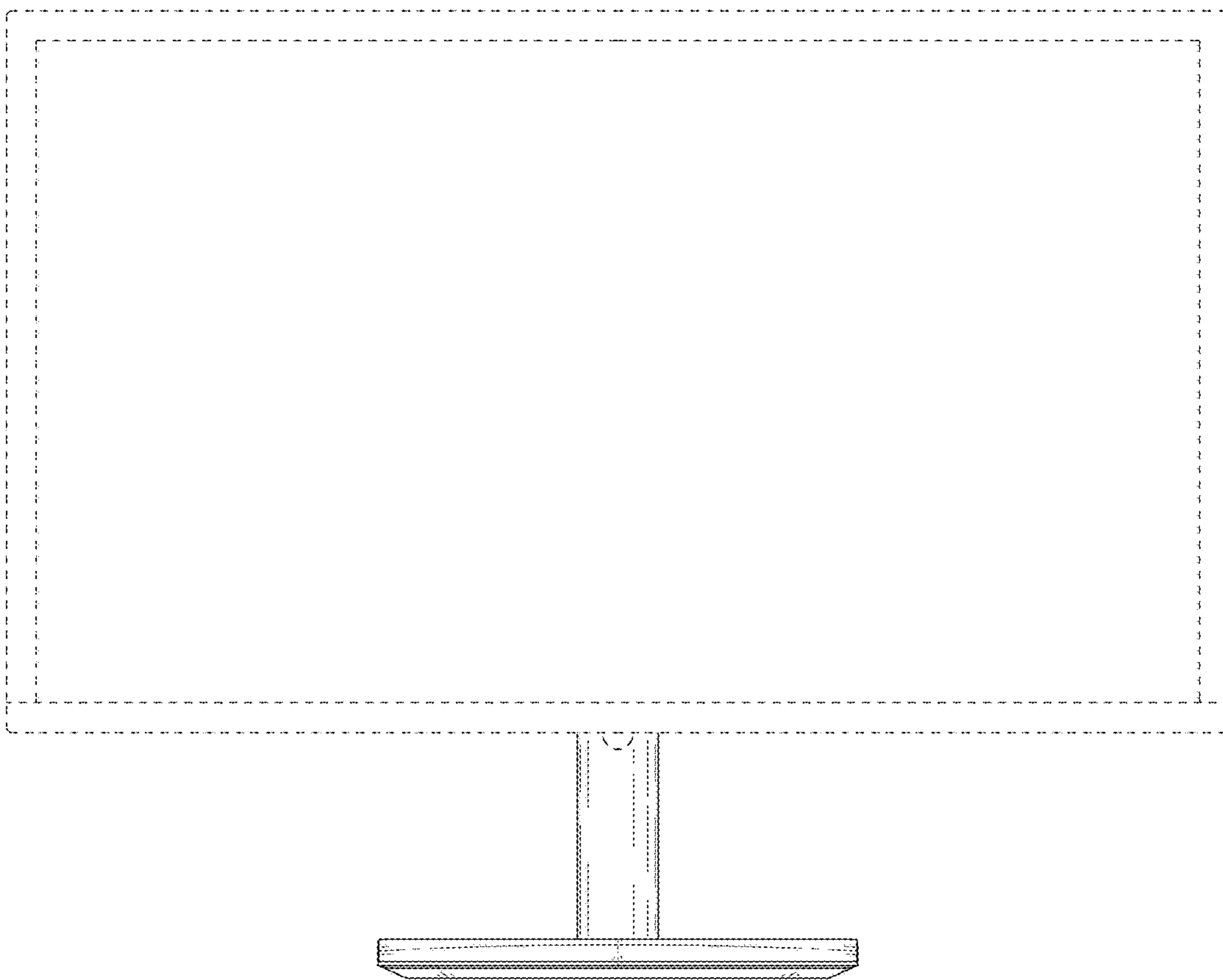


FIG. 3

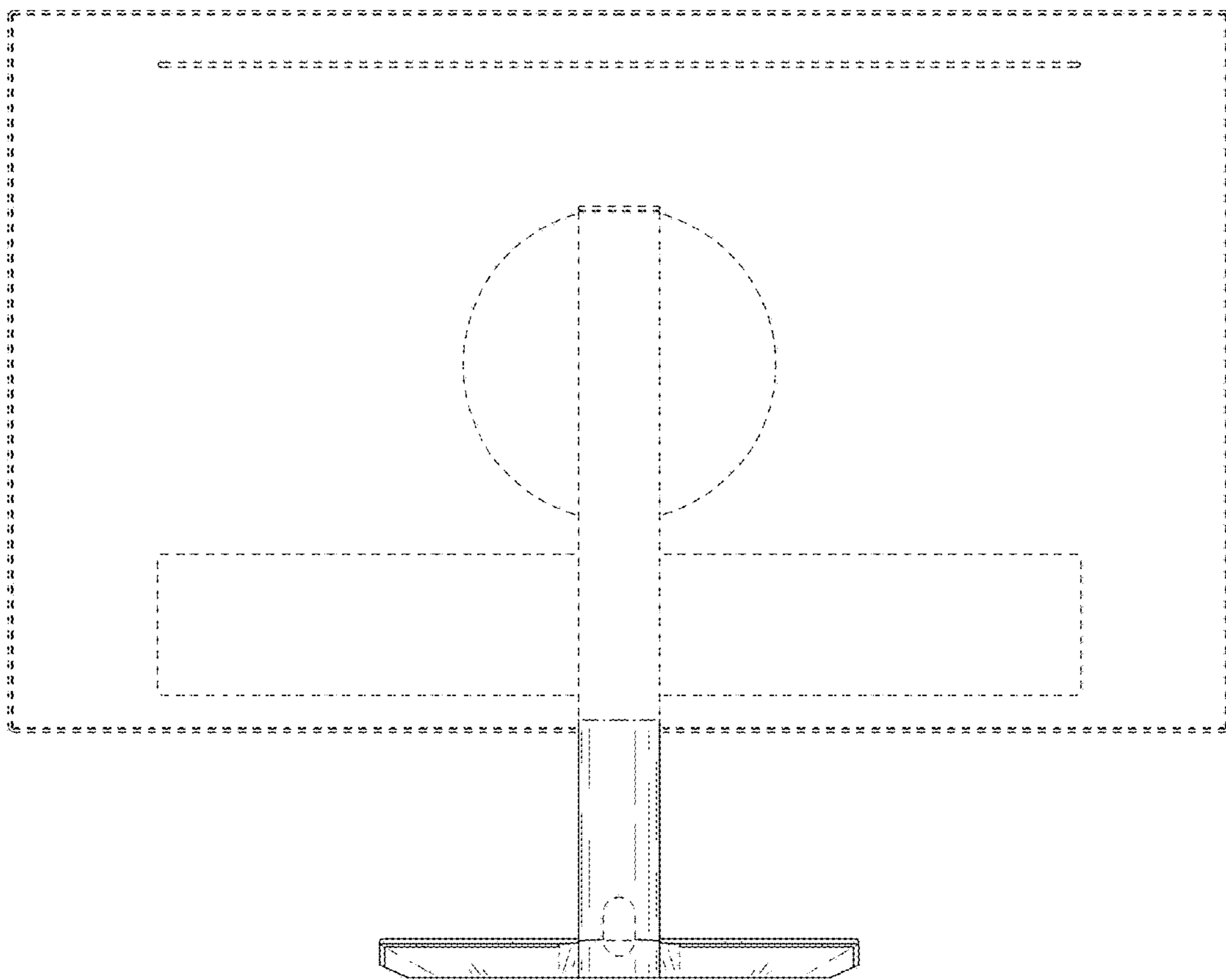


FIG. 4

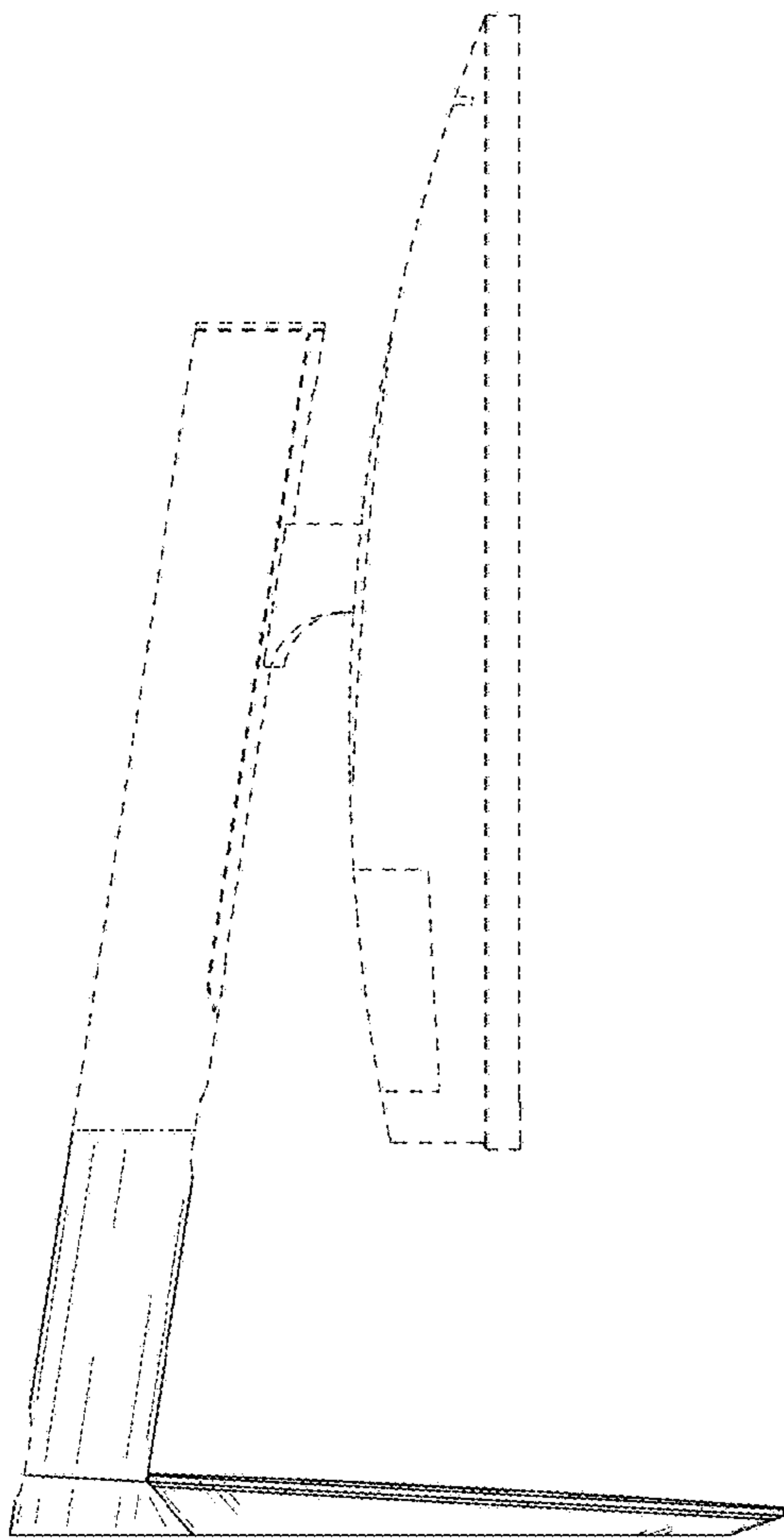


FIG. 5

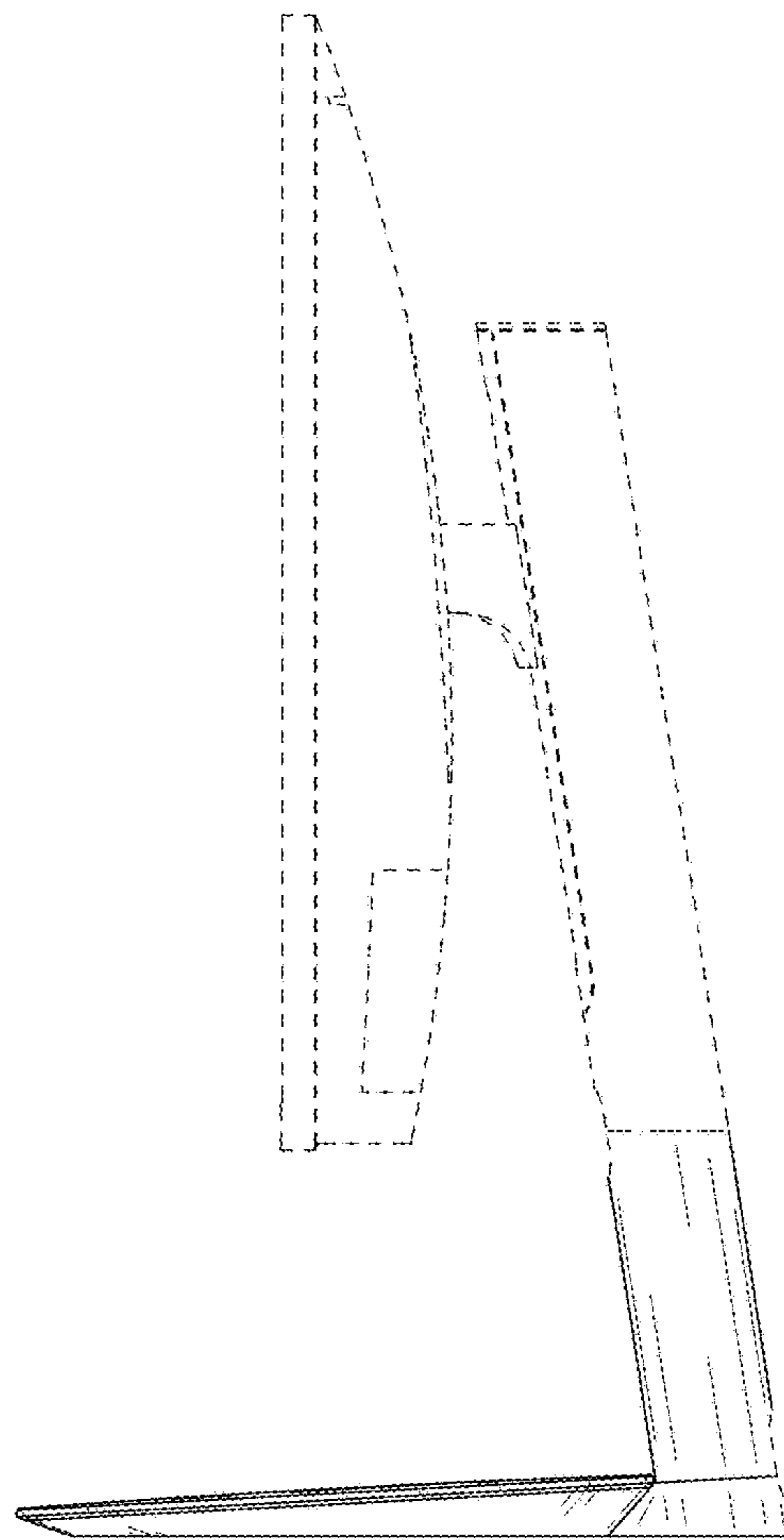


FIG. 6

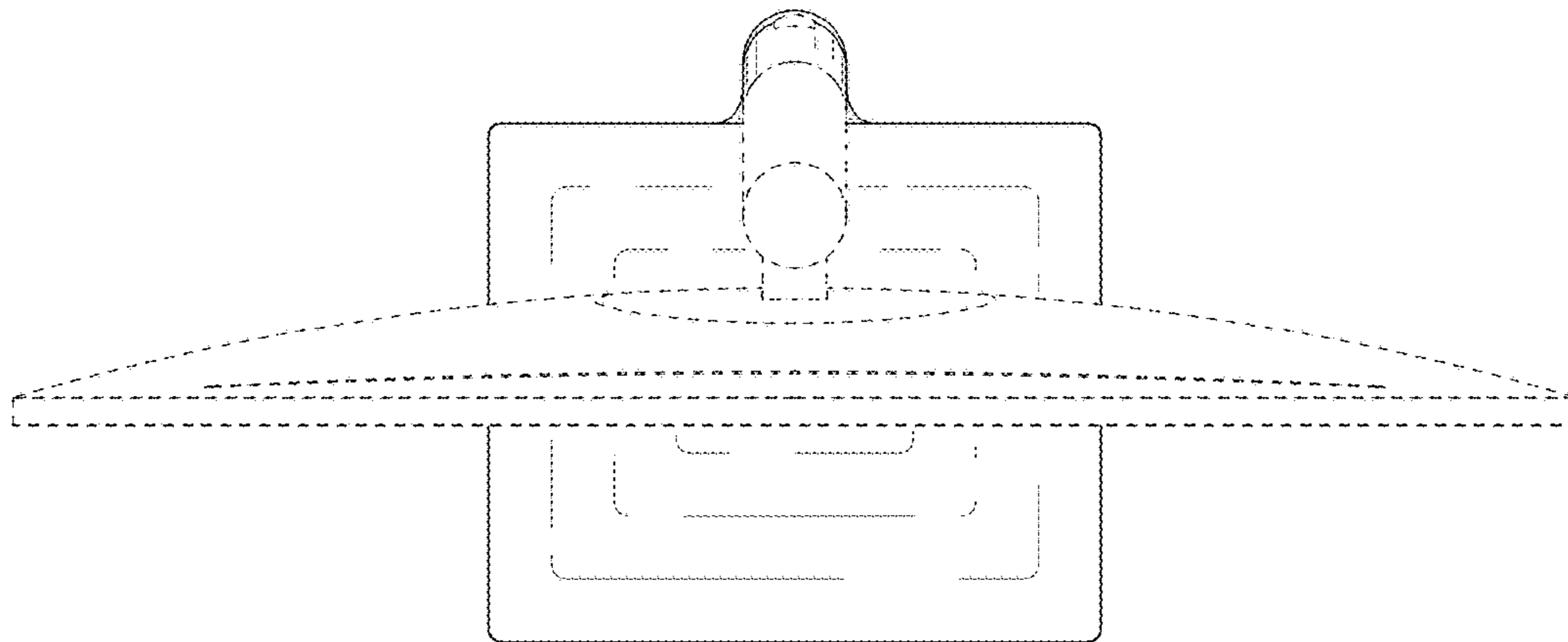


FIG. 7

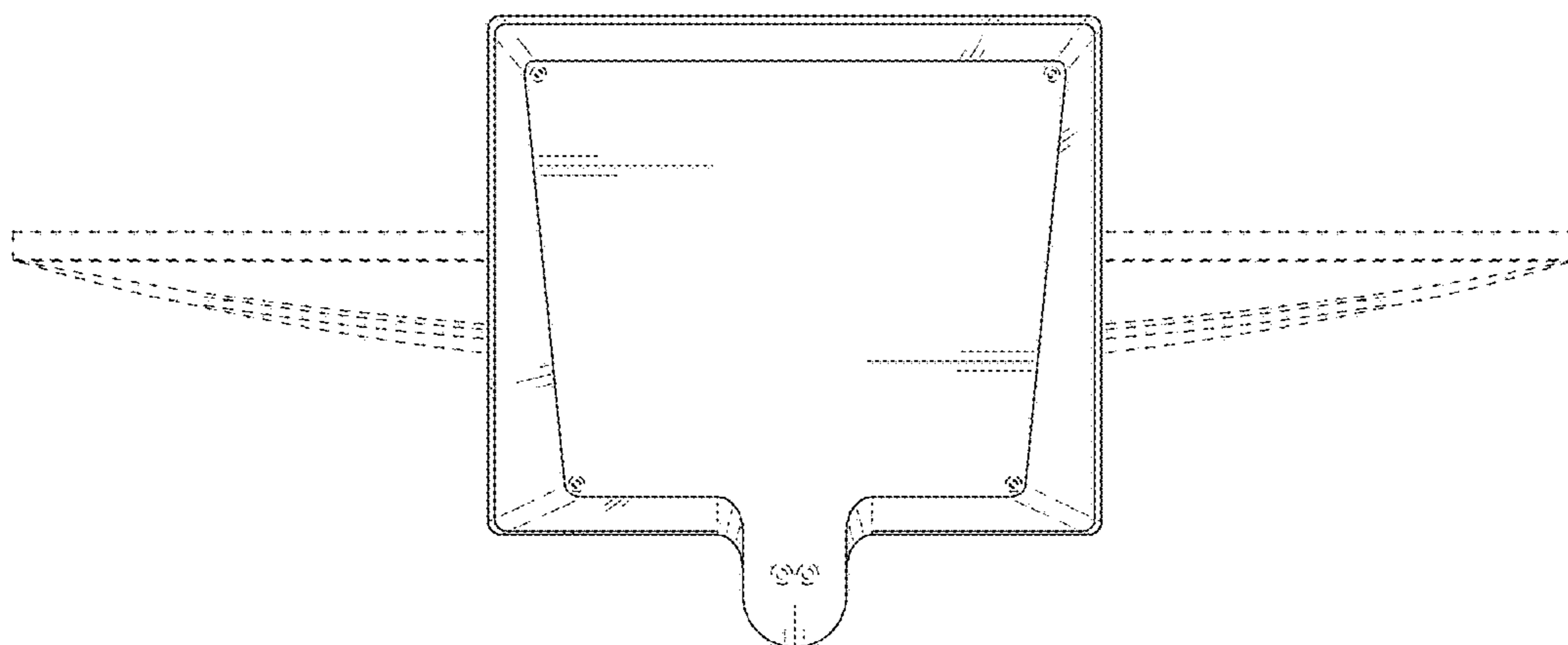


FIG. 8

