



US00D819029S

(12) **United States Design Patent**
Seo et al.

(10) **Patent No.:** **US D819,029 S**

(45) **Date of Patent:** **** May 29, 2018**

(54) **COMPUTER MONITOR**

(71) Applicant: **Samsung Electronics Co., Ltd.**,
Suwon-si (KR)

(72) Inventors: **Young Jin Seo**, Seoul (KR); **Taeyeon Won**, Seoul (KR)

(73) Assignee: **SAMSUNG ELECTRONICS CO., LTD.**, Suwon-si (KR)

(**) Term: **15 Years**

(21) Appl. No.: **29/595,511**

(22) Filed: **Feb. 28, 2017**

(30) **Foreign Application Priority Data**

Sep. 1, 2016 (KR) 30-2016-0043061

(51) **LOC (11) Cl.** **14-02**

(52) **U.S. Cl.**
USPC **D14/374**

(58) **Field of Classification Search**

USPC D14/371-375, 125-129, 336, 337;
D6/300, 308; D19/113, 114; D20/10
CPC G09F 15/0025; G09F 15/0062; G09F
15/0068; G06F 1/16; G06F 1/1613; G06F
1/133308; G06F 1/1601; G06F 3/037;
G06F 1/162; F16M 11/02; F16M 11/10;
F16M 11/00; F16M 11/06; F16M 11/18;
F16M 11/045; F16M 11/105; F16M
11/041; F16M 11/126; F16M 11/04;
F16M 11/24; F16M 13/02; A47F 5/00

See application file for complete search history.

(56) **References Cited**

U.S. PATENT DOCUMENTS

D573,118 S * 7/2008 Yang D14/126
D653,254 S * 1/2012 Lu D14/374

D669,077 S * 10/2012 McManigal D14/374
D727,898 S * 4/2015 Yum D14/374
D752,587 S * 3/2016 Gong D14/375
2002/0020792 A1* 2/2002 Lee F16M 11/10
248/278.1
2006/0237599 A1* 10/2006 Ternus F16M 11/10
248/176.1
2013/0044411 A1* 2/2013 Zhen F16M 11/041
361/679.01

* cited by examiner

Primary Examiner — Freda S Nunn

(74) *Attorney, Agent, or Firm* — McAndrews Held & Malloy, Ltd.

(57) **CLAIM**

The ornamental design for a computer monitor, as shown and described.

DESCRIPTION

FIG. 1 is a front perspective view of a computer monitor showing our new design;
FIG. 2 is a front elevation view thereof;
FIG. 3 is a rear elevation view thereof;
FIG. 4 is a left side elevation view thereof;
FIG. 5 is a right side elevation view thereof;
FIG. 6 is a top plan view thereof;
FIG. 7 is a bottom plan view thereof; and,
FIG. 8 is a rear perspective view thereof.

The short dash-dash broken lines that are immediately adjacent the shaded areas define the bounds of the claimed design while all other short dash-dash broken lines are directed to environment only, it being understood that the broken lines shown throughout in the views form no part of the claimed design.

1 Claim, 6 Drawing Sheets

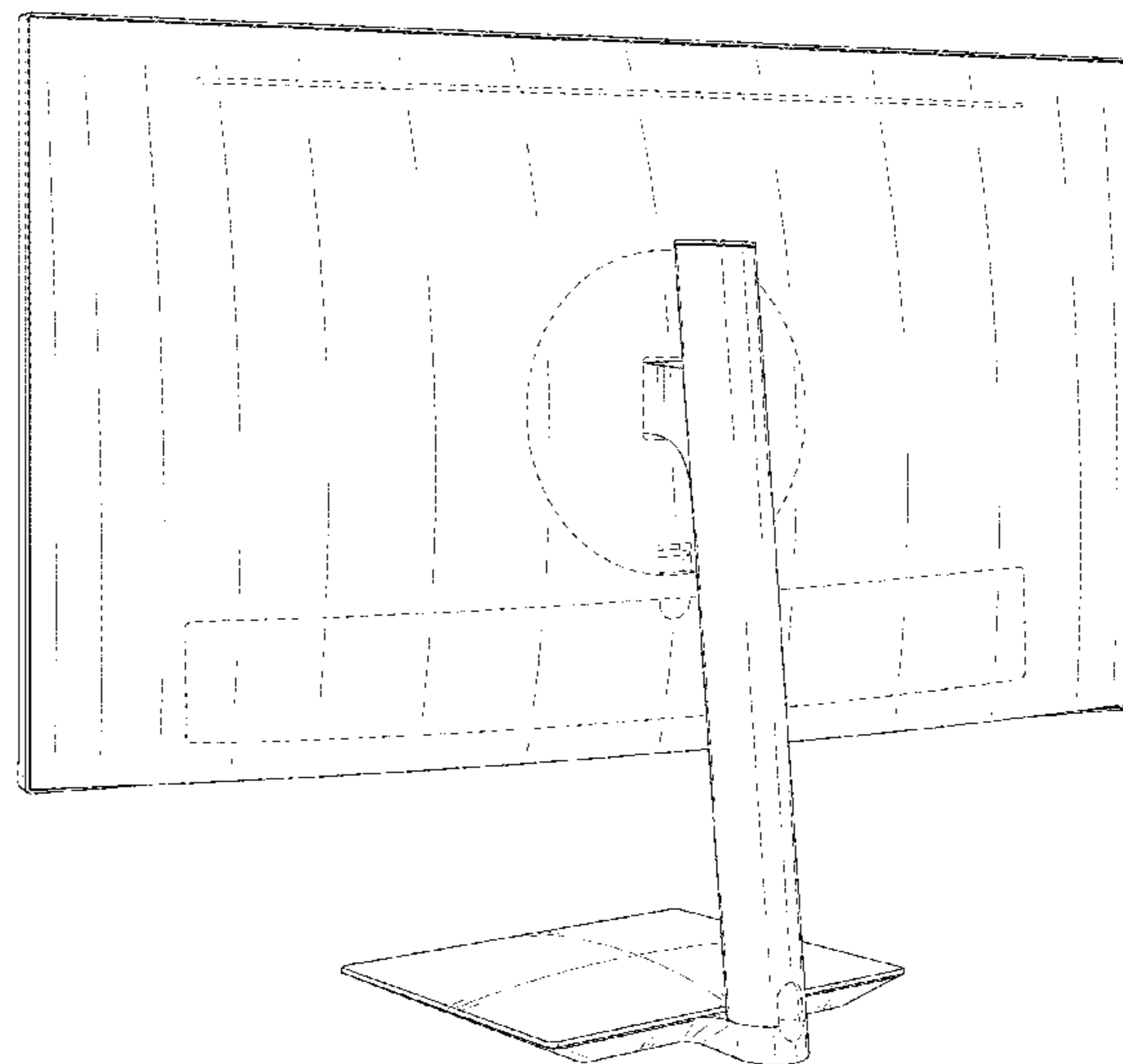
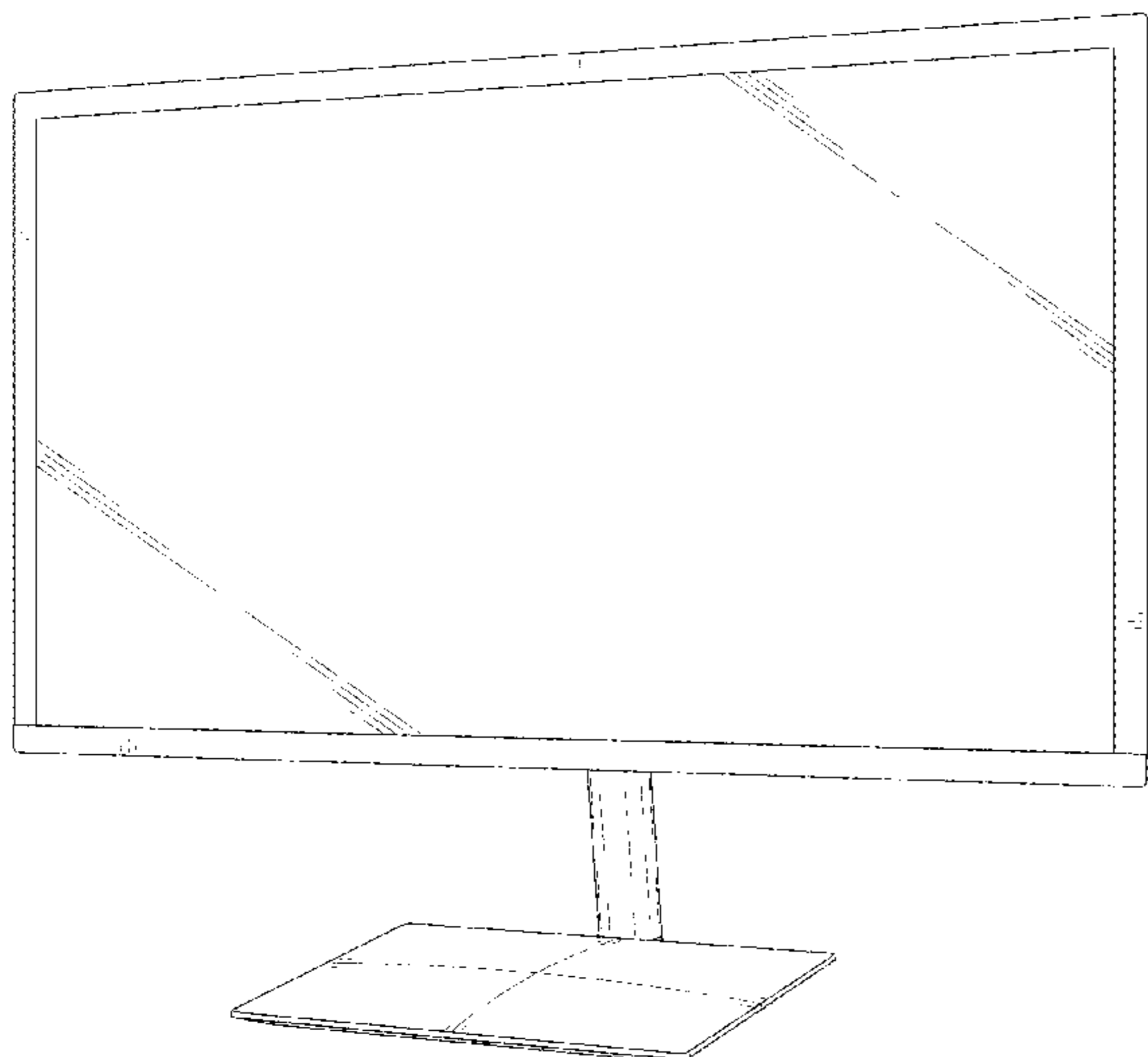


FIG. 1

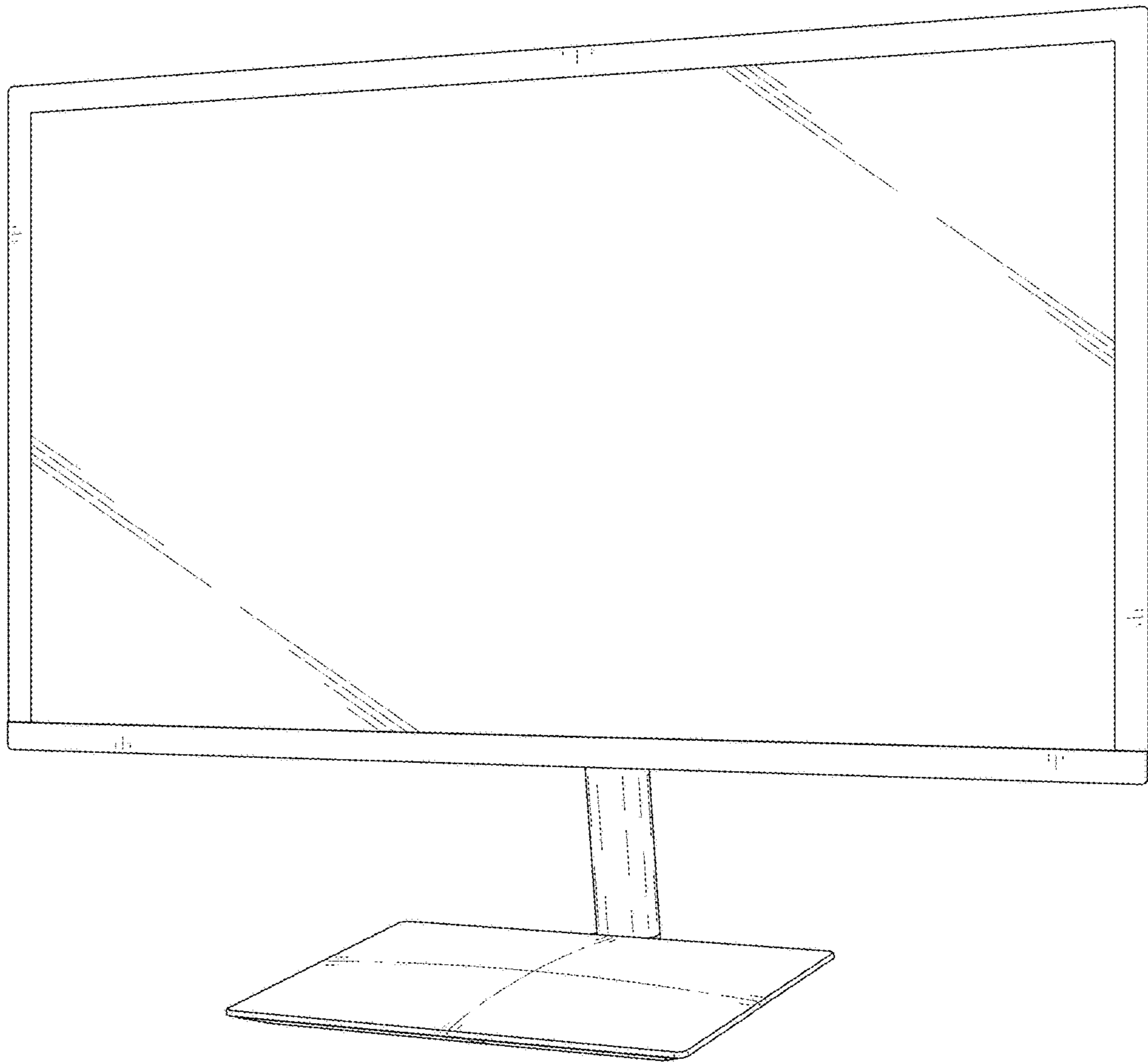


FIG. 2

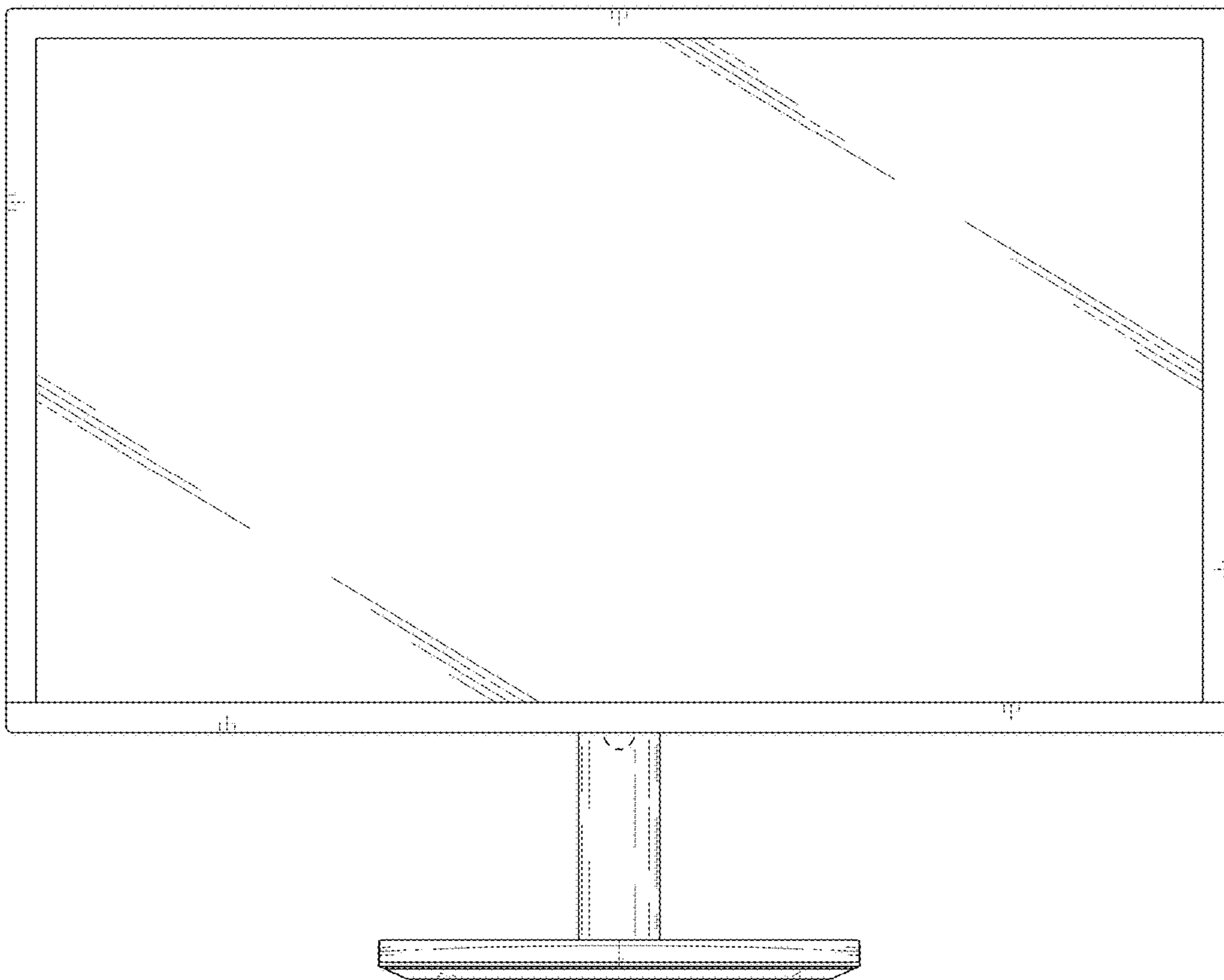


FIG. 3

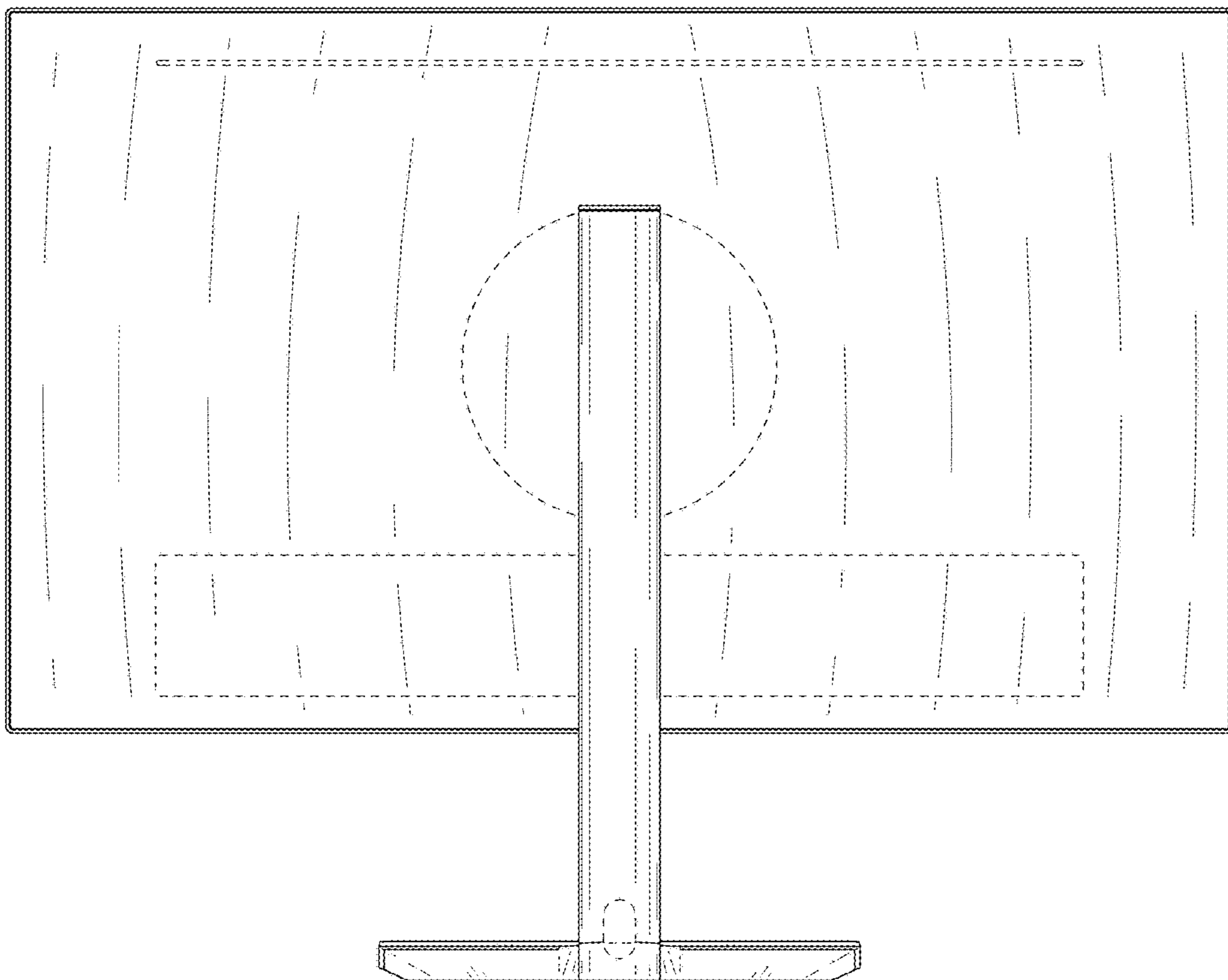


FIG. 4

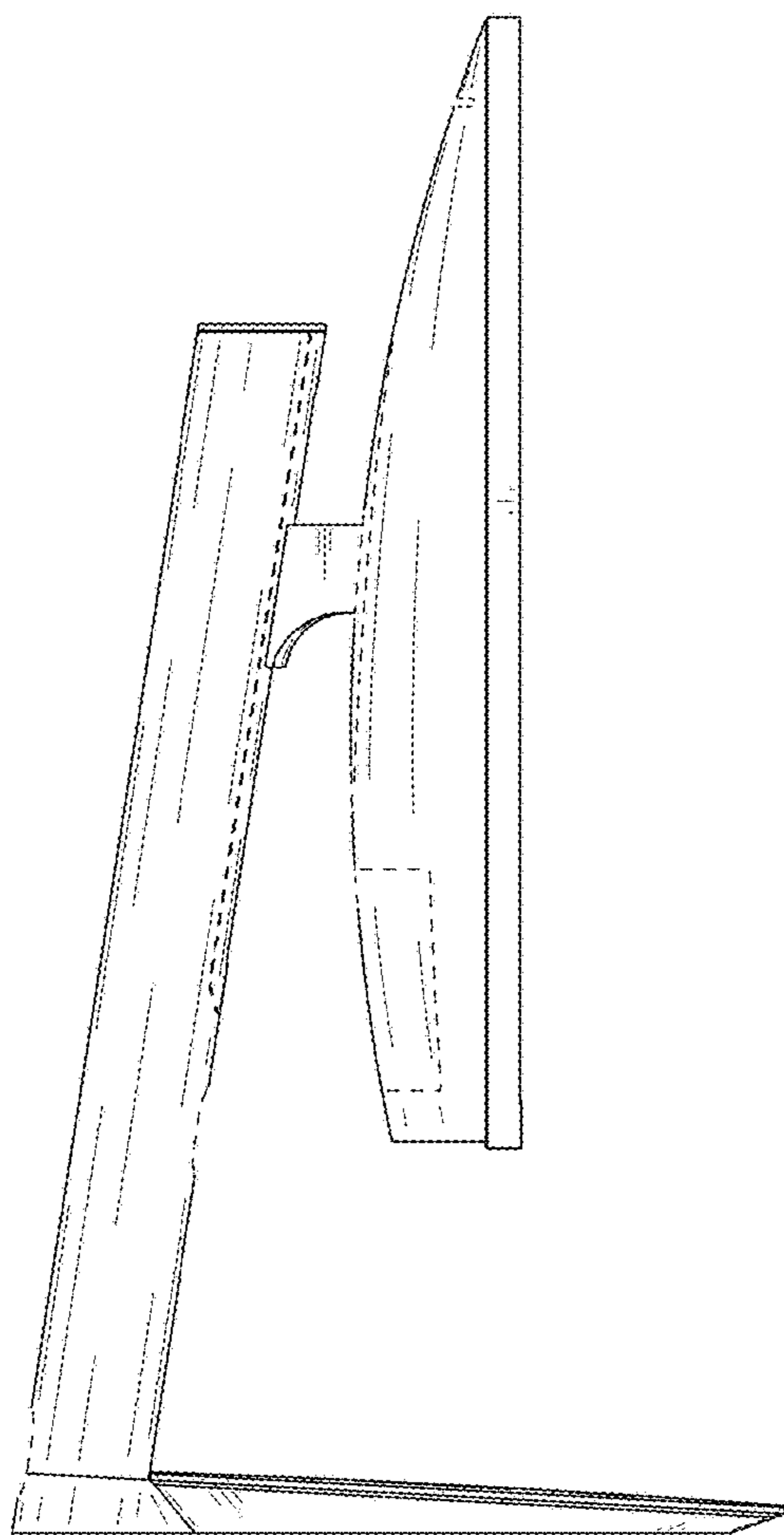


FIG. 5

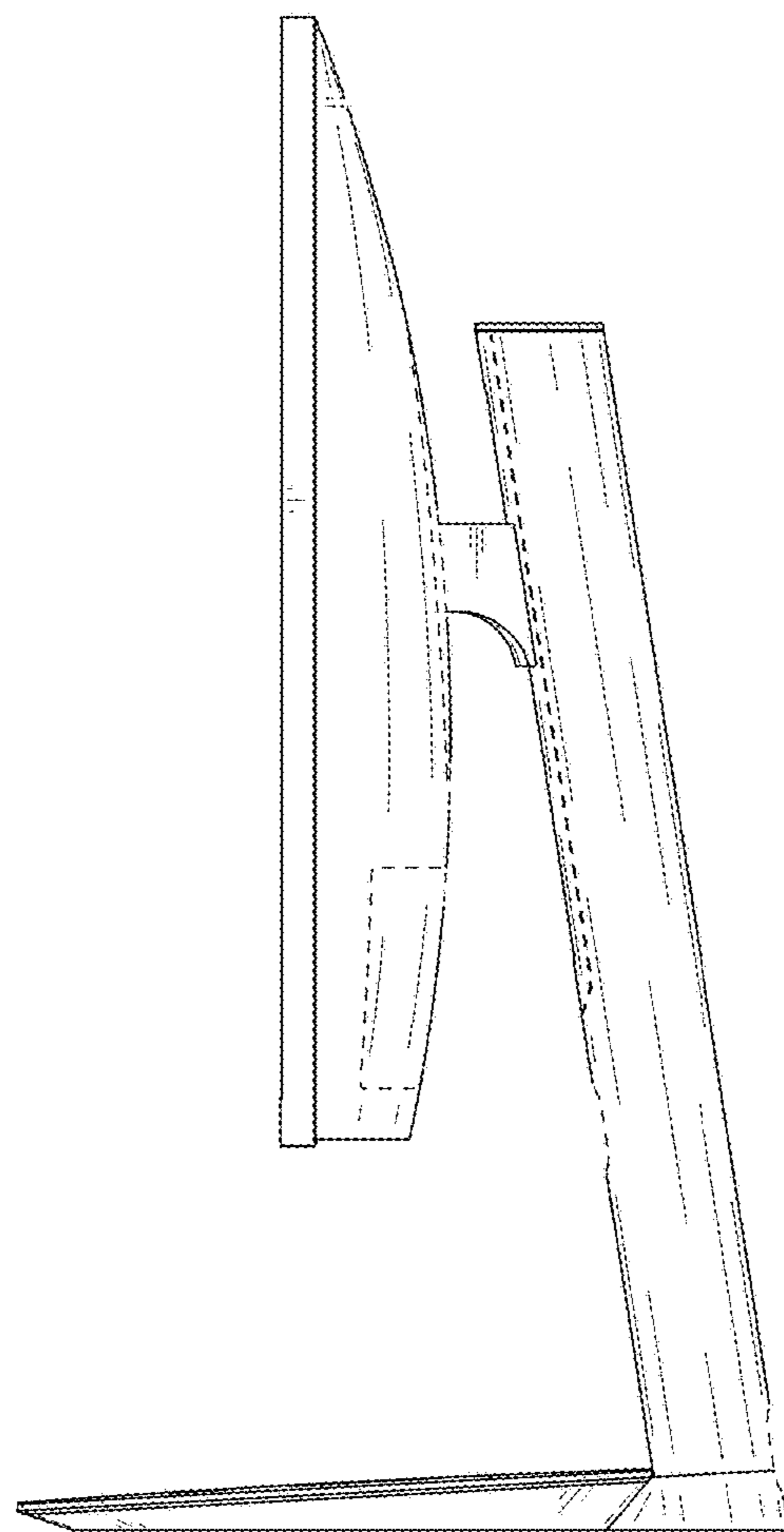


FIG. 6

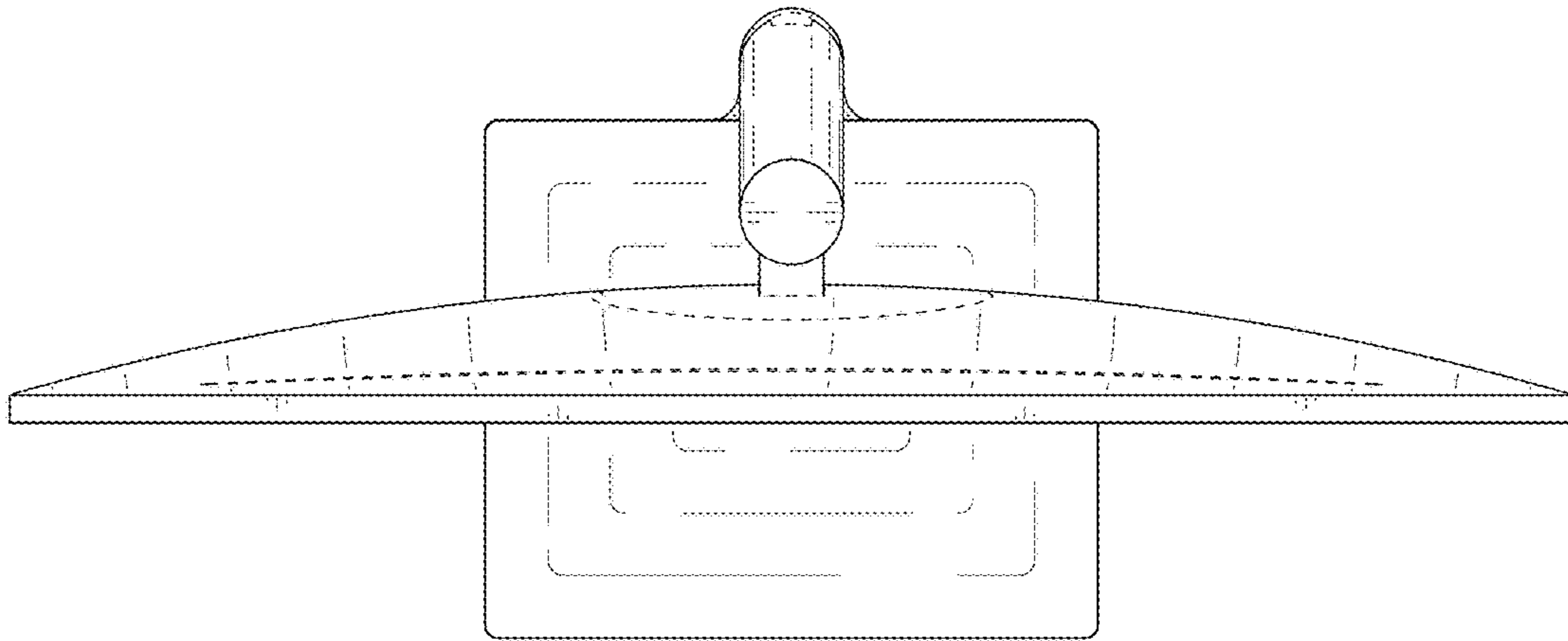


FIG. 7

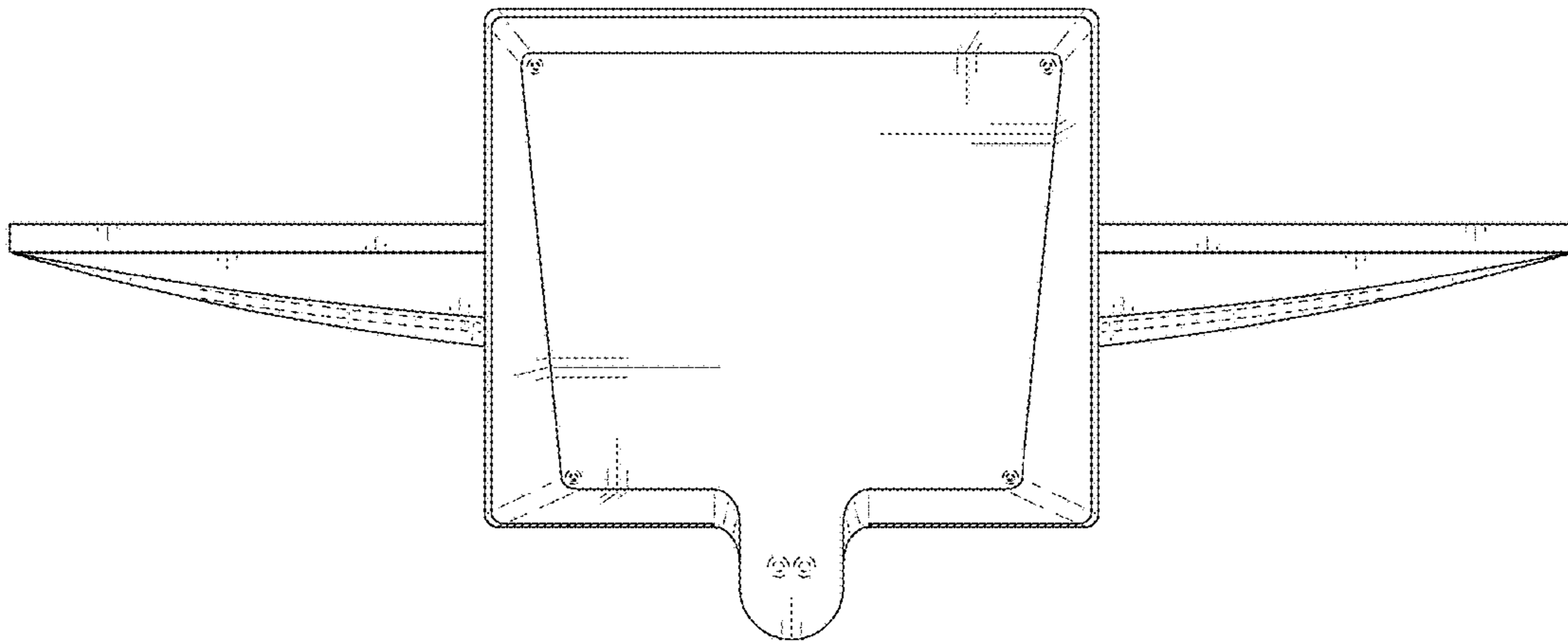


FIG. 8

