



US00D819027S

(12) **United States Design Patent**
Lee et al.

(10) **Patent No.:** **US D819,027 S**
(45) **Date of Patent:** **** May 29, 2018**

(54) **COMPUTER MONITOR**

(71) Applicant: **Samsung Electronics Co., Ltd.**,
Suwon-si (KR)

(72) Inventors: **Yongjoo Lee**, Seoul (KR); **Taeyeon Won**, Seoul (KR)

(73) Assignee: **SAMSUNG ELECTRONICS CO., LTD.**, Suwon-si (KR)

(**) Term: **15 Years**

(21) Appl. No.: **29/595,501**

(22) Filed: **Feb. 28, 2017**

(30) **Foreign Application Priority Data**

Aug. 31, 2016 (KR) 30-2016-0042813

(51) **LOC (11) Cl.** **14-02**

(52) **U.S. Cl.**
USPC **D14/374**

(58) **Field of Classification Search**

USPC D14/371-375, 125-129, 336, 337;
D6/300, 308; D19/113, 114; D20/10
CPC G09F 15/0025; G09F 15/0062; G09F
15/0068; G06F 1/16; G06F 1/1613; G06F
1/133308; G06F 1/1601; G06F 3/037;
G06F 1/162; F16M 11/02; F16M 11/10;
F16M 11/00; F16M 11/06; F16M 11/18;
F16M 11/045; F16M 11/105; F16M
11/041; F16M 11/126; F16M 11/04;
F16M 11/24; F16M 13/02; A47F 5/00

See application file for complete search history.

(56) **References Cited**

U.S. PATENT DOCUMENTS

D556,755 S * 12/2007 Lee D14/375
D657,792 S * 4/2012 Lee D14/374
D667,826 S * 9/2012 Lee D14/374

D682,797 S * 5/2013 Lee D14/126
D691,605 S * 10/2013 Won D14/374
2011/0096486 A1* 4/2011 Oh F16M 11/10
361/679.21

* cited by examiner

Primary Examiner — Freda S Nunn

(74) *Attorney, Agent, or Firm* — McAndrews Held & Malloy, Ltd.

(57) **CLAIM**

The ornamental design for a computer monitor, as shown and described.

DESCRIPTION

FIG. 1 is a front perspective view of a computer monitor showing our new design;

FIG. 2 is a front elevation view thereof;

FIG. 3 is a rear elevation view thereof;

FIG. 4 is a left side elevation view thereof;

FIG. 5 is a right side elevation view thereof;

FIG. 6 is a top plan view thereof;

FIG. 7 is a bottom plan view thereof;

FIG. 8 is a rear perspective view thereof;

FIG. 9 is an enlarged view of the portion encircled in FIG. 1;

FIG. 10 is an enlarged view of the portion encircled in FIG. 8; and,

FIG. 11 is a front elevation view thereof showing a stand component to provide example environment.

The short dash-dash lines that are immediately adjacent the shaded areas and define unshaded regions represent the bounds of the claim and are not included in the claim. All other short dash-dash broken lines are directed to environment and are for illustrative purposes only. The dot-dot-dash broken lines encircling portions of the claimed design that are illustrated in enlargements form no part of the claimed design. All of the broken lines throughout the views form no part of the claimed design.

1 Claim, 9 Drawing Sheets

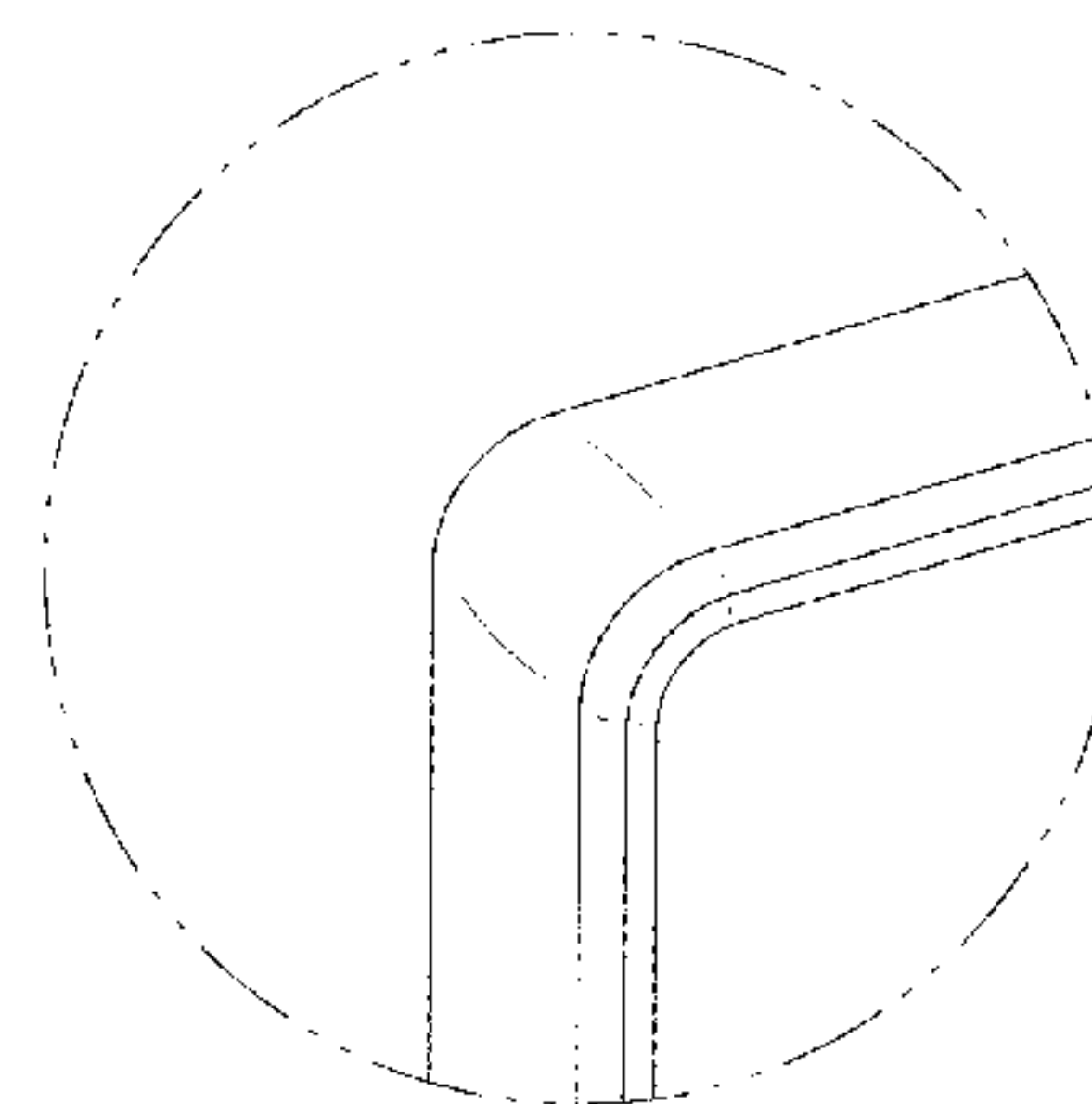
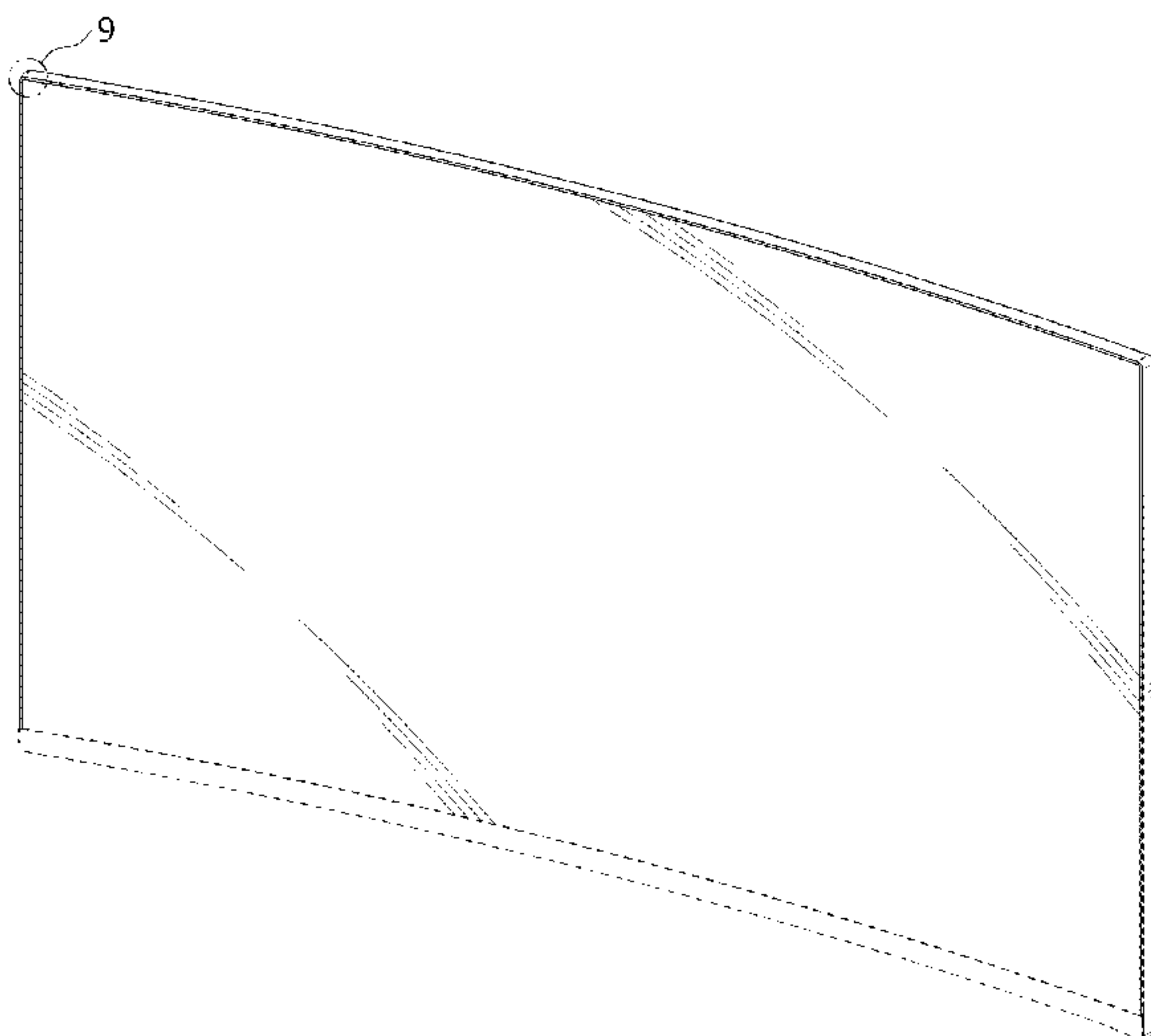


FIG. 1

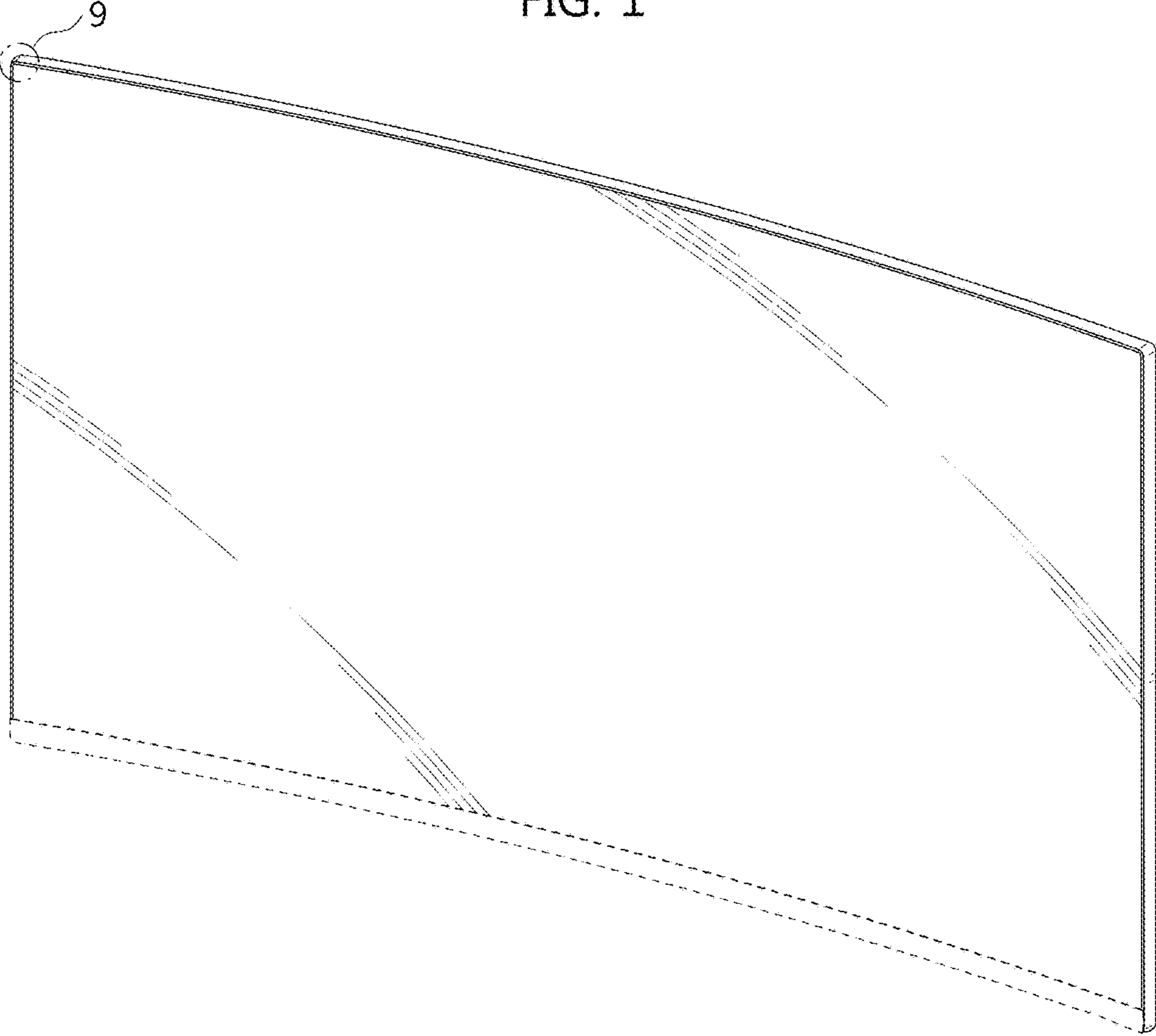


FIG. 2

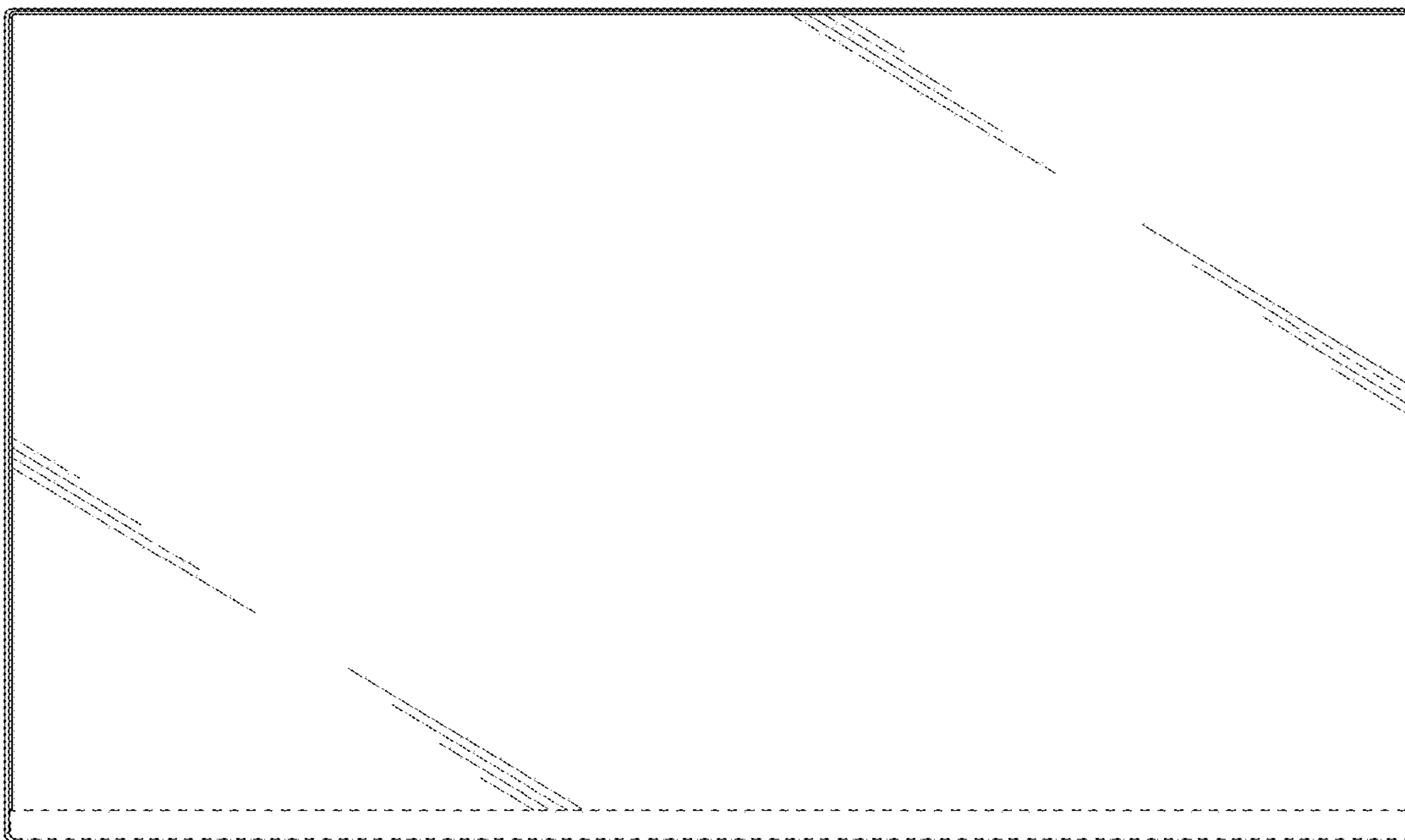


FIG. 3

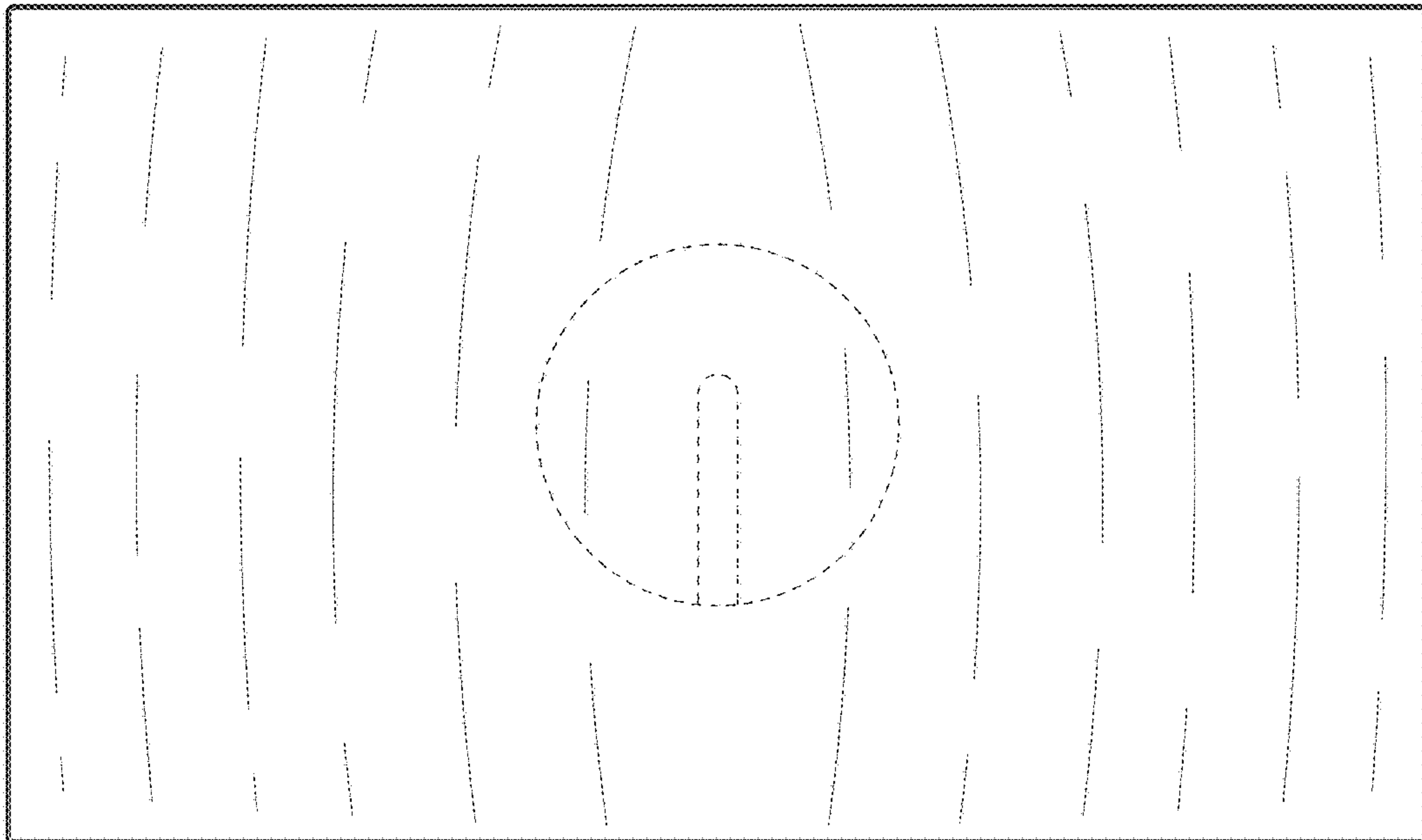


FIG. 4

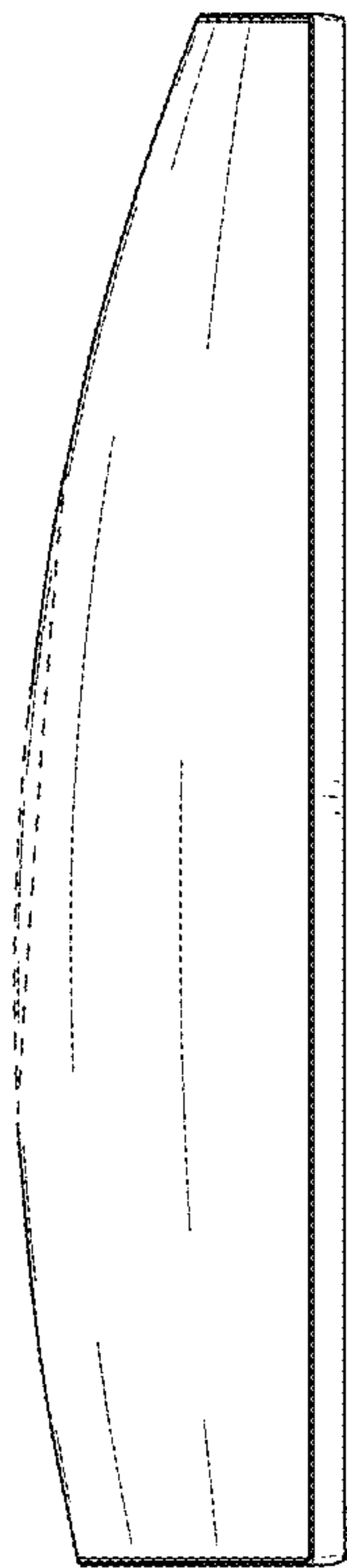


FIG. 5

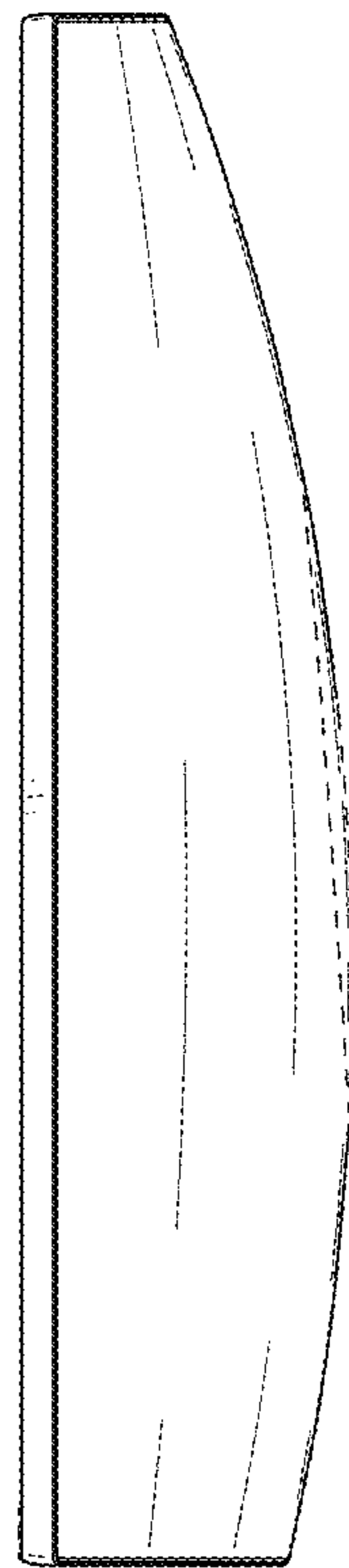


FIG. 6

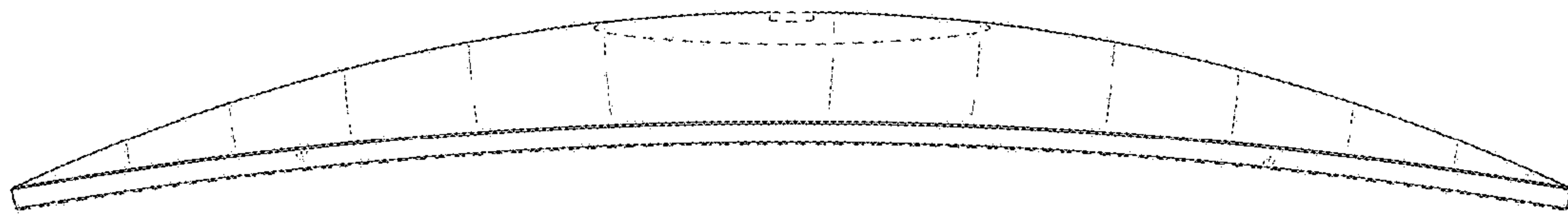


FIG. 7

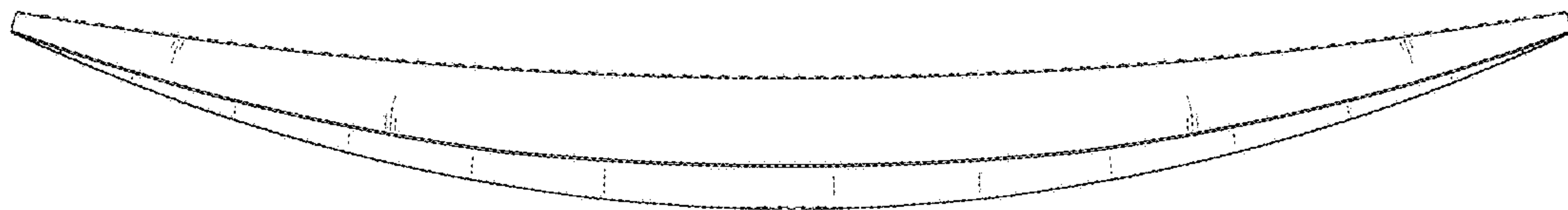


FIG. 8

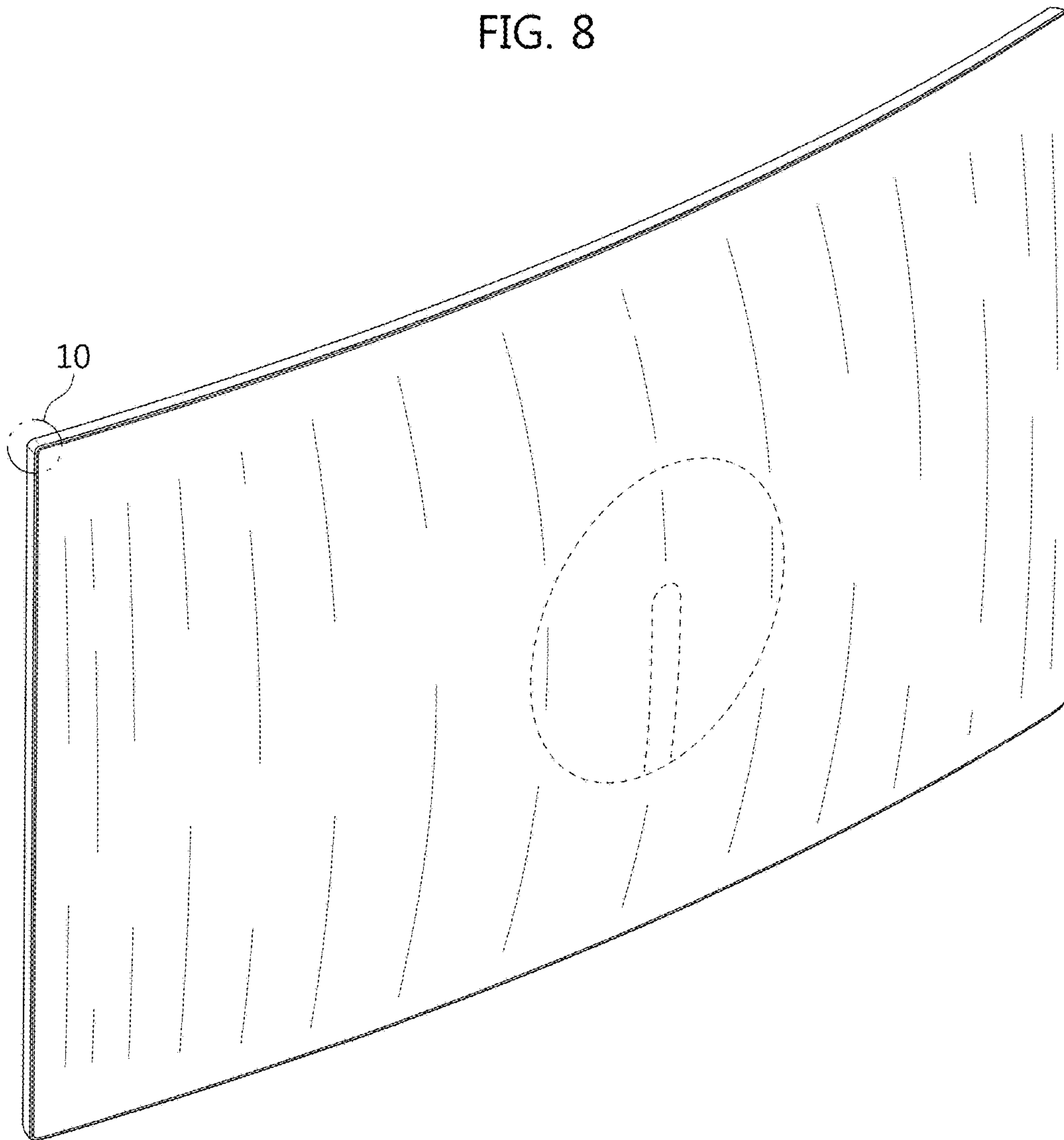


FIG. 9

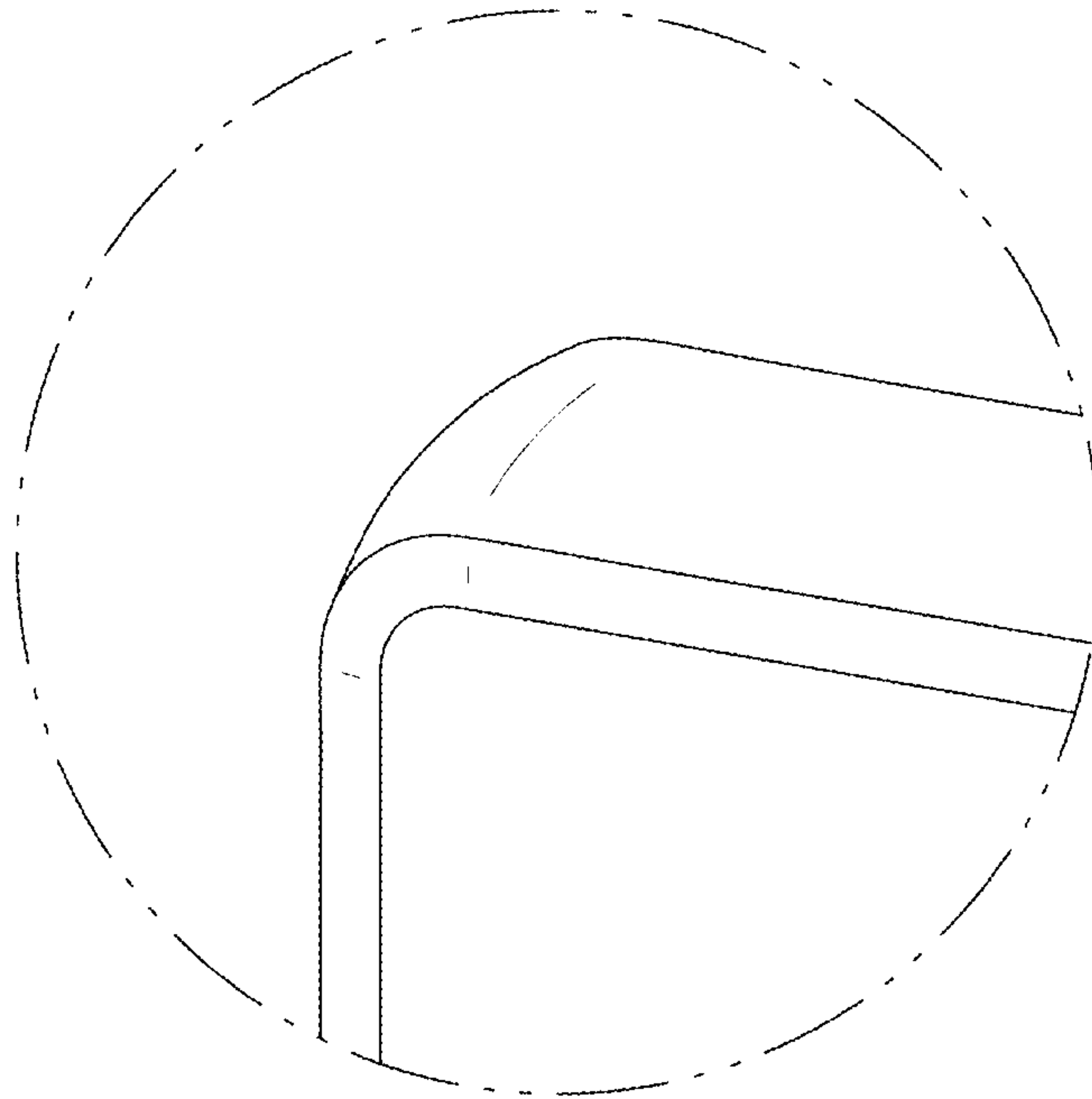


FIG. 10

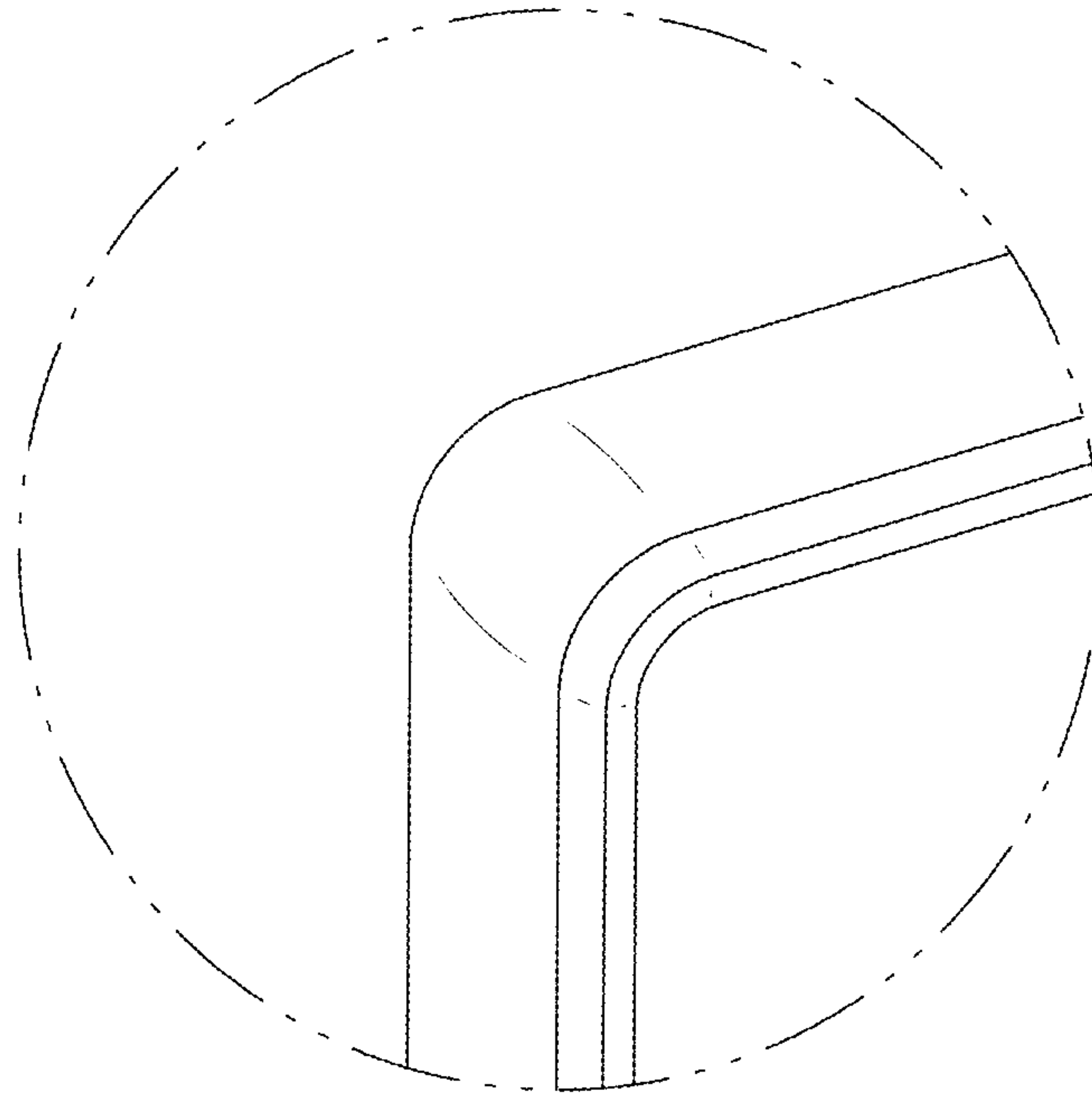


FIG. 11

