



US00D819026S

(12) **United States Design Patent**
Limaye et al.

(10) **Patent No.:** **US D819,026 S**

(45) **Date of Patent:** **** May 29, 2018**

(54) **HEAD-MOUNTED DISPLAY WITH
MAGNETIC BATTERY TEMPLES**

(71) Applicant: **Allomind, Inc.**, Arcadia, CA (US)

(72) Inventors: **Abhijit Limaye**, San Jose, CA (US);
Stephen Barton, Los Altos, CA (US);
Christopher Kuh, San Francisco, CA
(US); **Martin Gschwandtl**, San
Francisco, CA (US)

(73) Assignee: **Allomind, Inc.**, Arcadia, CA (US)

(**) Term: **15 Years**

(21) Appl. No.: **29/560,457**

(22) Filed: **Apr. 6, 2016**

(51) **LOC (11) Cl.** **14-02**

(52) **U.S. Cl.**
USPC **D14/372**

(58) **Field of Classification Search**
USPC D14/372, 496, 432, 371, 125, 126, 129,
D14/299; D16/300-342; 351/158, 153,
351/144; 345/7-9, 905; 455/344;
348/115, 53, 121, 739
CPC G02B 27/017; G02B 27/0158; G02B
27/0161; G02B 27/0181; G02B 27/0185;
G02B 27/0189

See application file for complete search history.

(56) **References Cited**

U.S. PATENT DOCUMENTS

- D427,982 S * 7/2000 Ishii D14/372
- 8,542,326 B2 * 9/2013 MacNaughton G02F 1/1335
349/15
- D719,570 S * 12/2014 Heinrich D14/372
- D727,896 S * 4/2015 Laluque D14/372
- D738,373 S * 9/2015 Davies D14/372
- D738,374 S * 9/2015 Luckey D14/372
- D741,327 S * 10/2015 Reznik D14/372

- D747,401 S * 1/2016 Exley D16/314
- D749,583 S * 2/2016 Luckey D14/372
- D750,075 S * 2/2016 Olsson D14/372
- D751,552 S * 3/2016 Osterhout D14/372
- D766,895 S * 9/2016 Choi D14/372
- D771,625 S * 11/2016 Sullivan D14/372
- D771,627 S * 11/2016 Ko D14/372
- D778,909 S * 2/2017 Nokuo D14/372
- D780,751 S * 3/2017 Park D14/372
- D781,288 S * 3/2017 Park D14/372
- D781,289 S * 3/2017 Patel D14/372
- D782,477 S * 3/2017 Cazalet D14/372

(Continued)

Primary Examiner — Austin Murphy

(74) *Attorney, Agent, or Firm* — Sheppard Mullin Richter
& Hampton

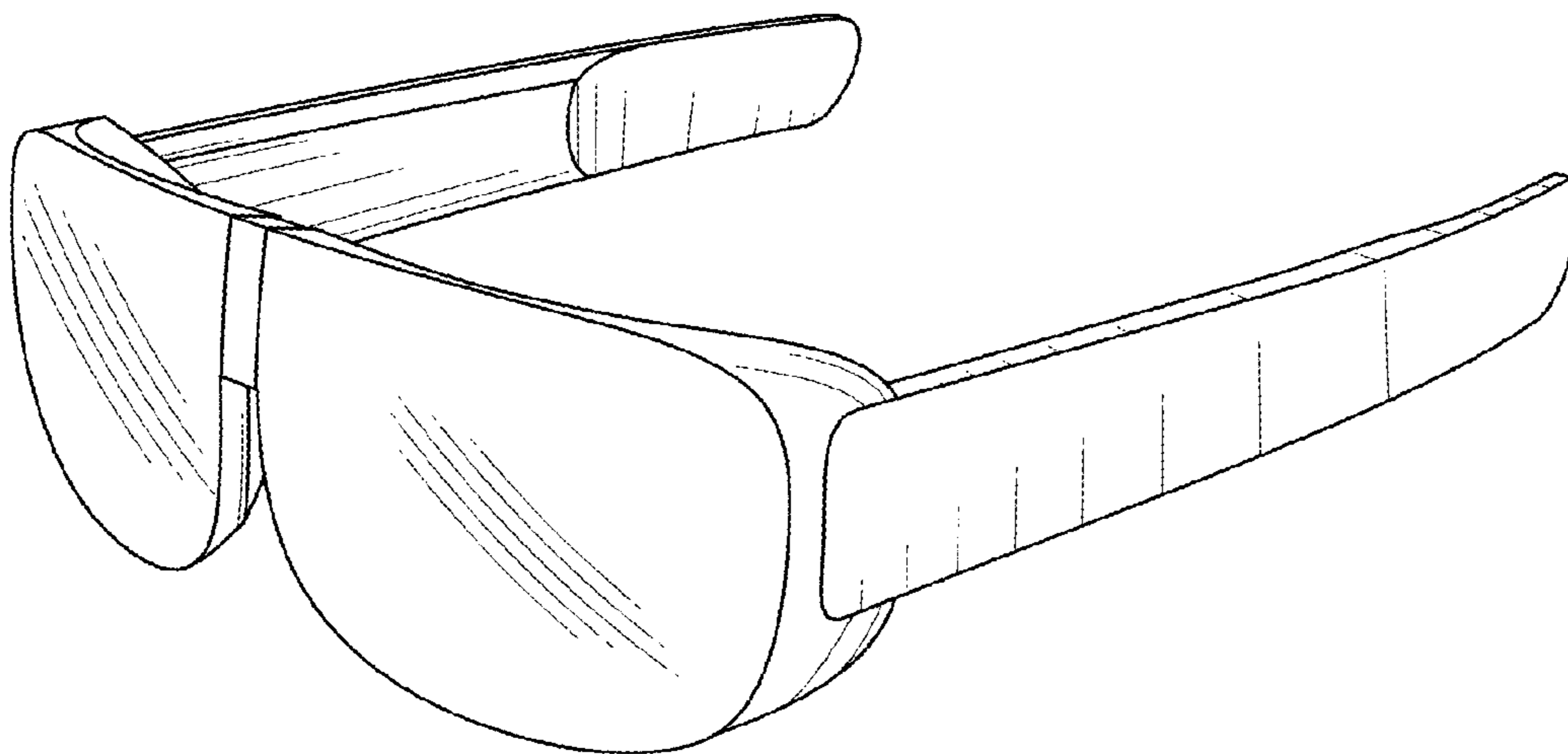
(57) **CLAIM**

We claim the ornamental design for a head-mounted display with magnetic battery temples, as shown and described.

DESCRIPTION

FIG. 1 is a perspective view of a head-mounted display with magnetic battery temples embodying the new design. FIG. 2 is a front view of the head-mounted display with magnetic battery temples embodying the new design. FIG. 3 is a rear view of the head-mounted display with magnetic battery temples embodying the new design. FIG. 4 is a first side view of the head-mounted display with magnetic battery temples embodying the new design. FIG. 5 is a second side view of the head-mounted display with magnetic battery temples embodying the new design. FIG. 6 is a top view of the head-mounted display with magnetic battery temples embodying the new design; and, FIG. 7 is a bottom view of the head-mounted display with magnetic battery temples embodying the new design. The broken lines illustrate portions of the head-mounted display with magnetic battery temples that form no part of the claimed design.

1 Claim, 5 Drawing Sheets



(56)

References Cited

U.S. PATENT DOCUMENTS

D783,019 S * 4/2017 Letbetter D14/372
2005/0237271 A1 * 10/2005 Yamamoto G02B 27/017
345/8

* cited by examiner

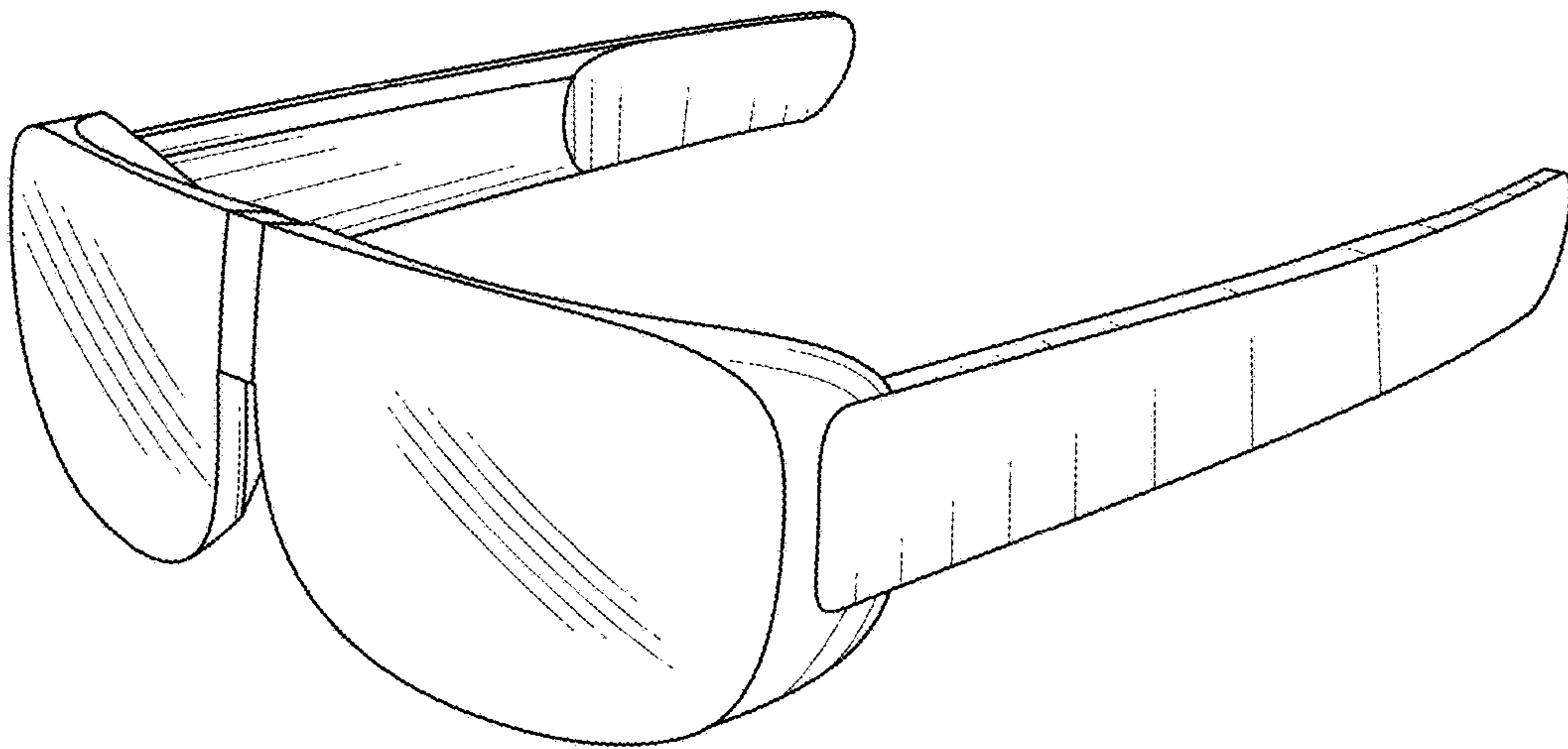


FIG. 1

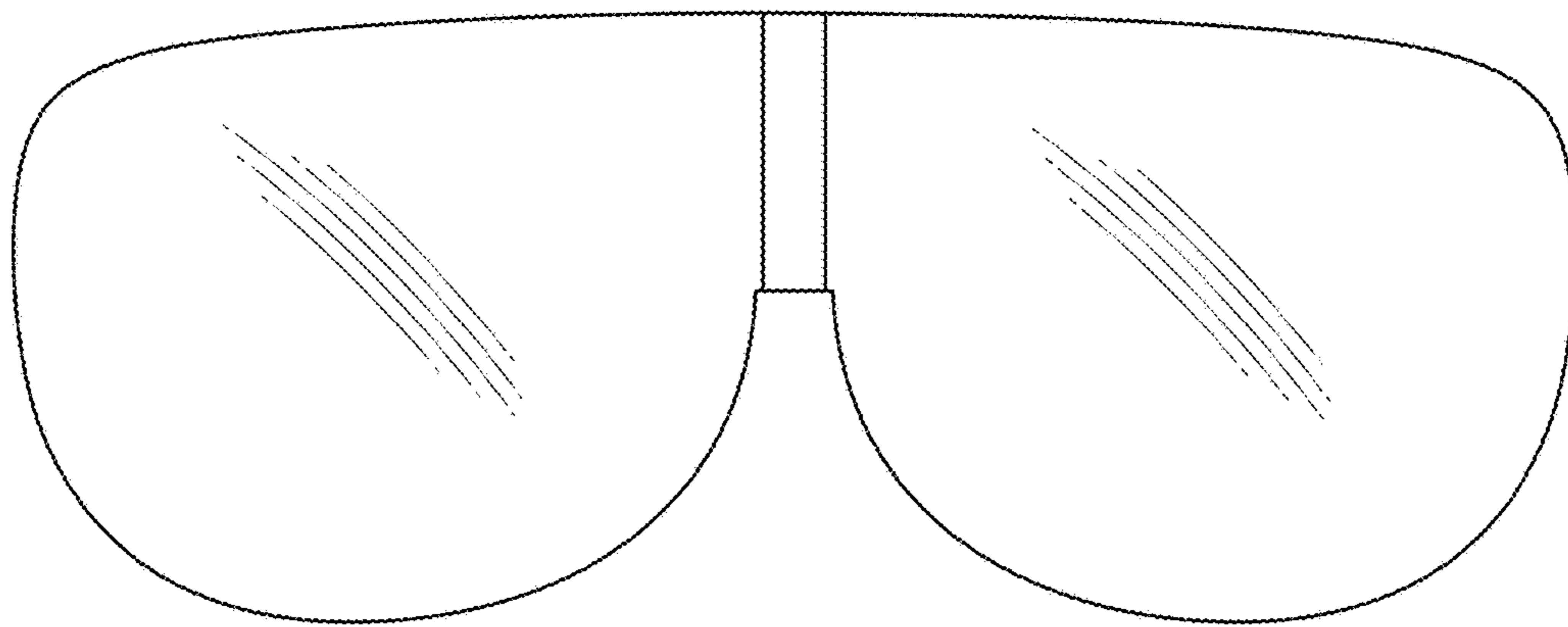


FIG. 2

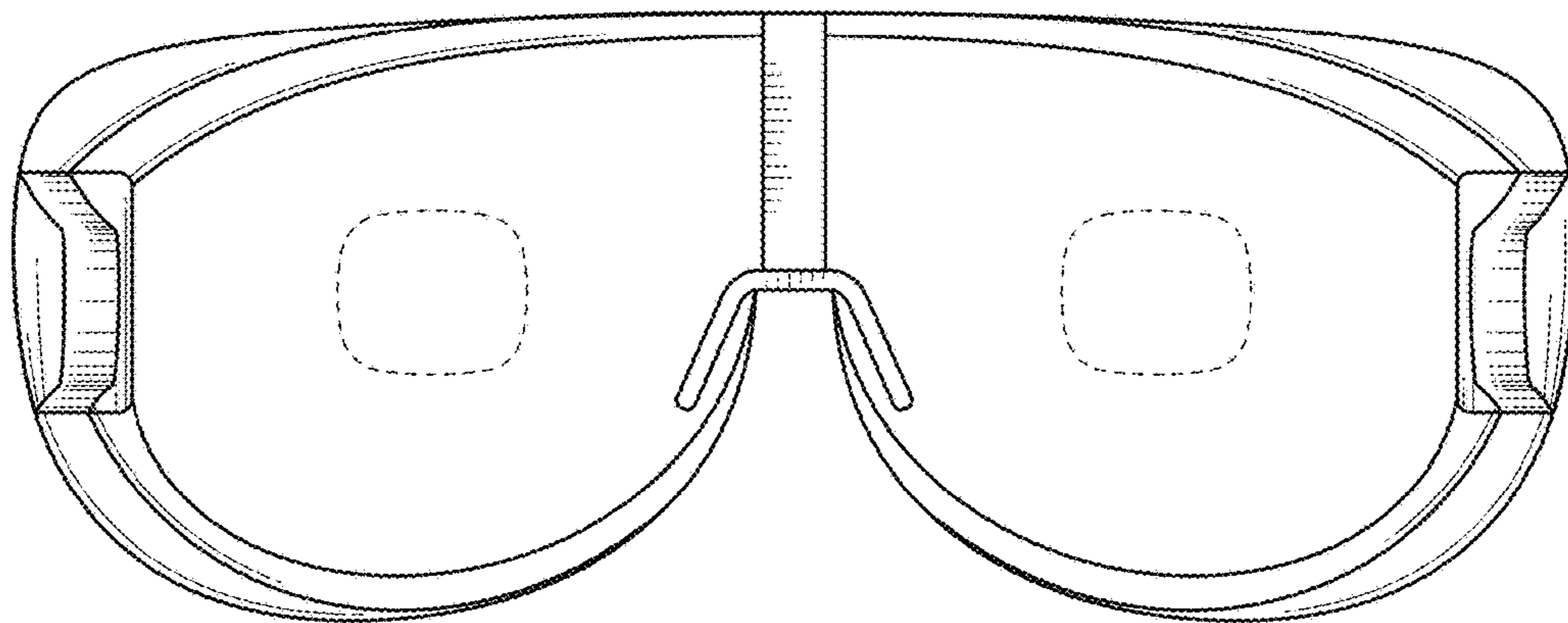


FIG. 3

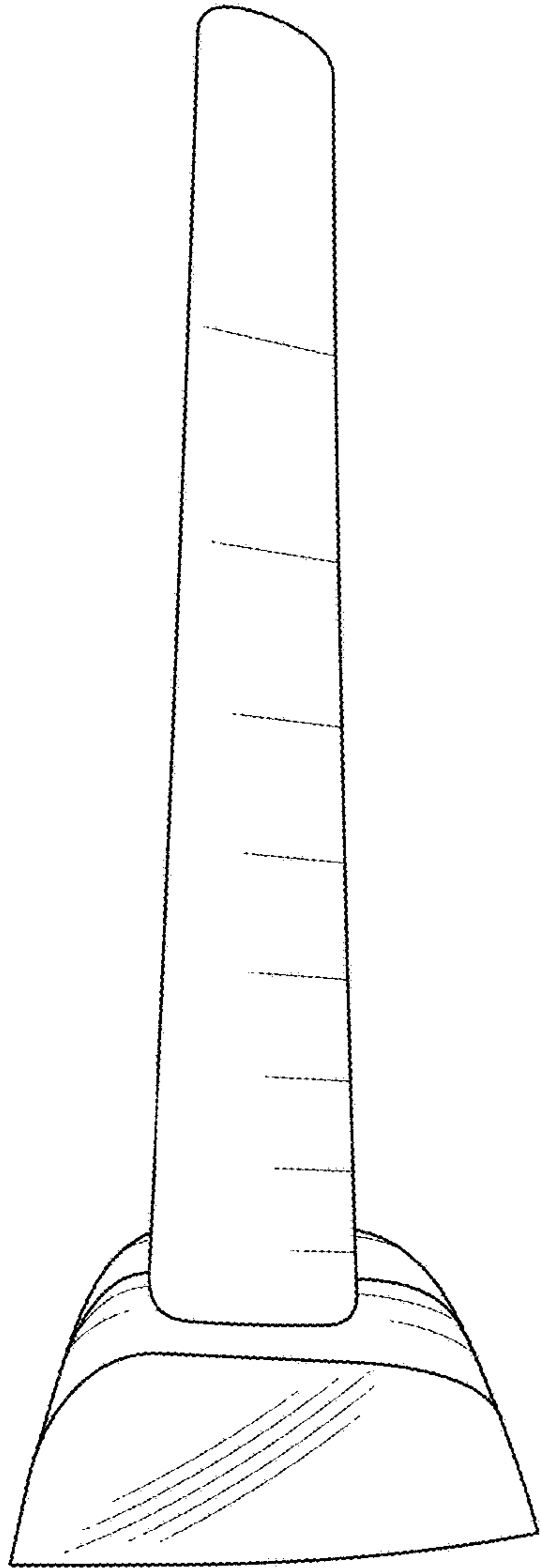


FIG. 4

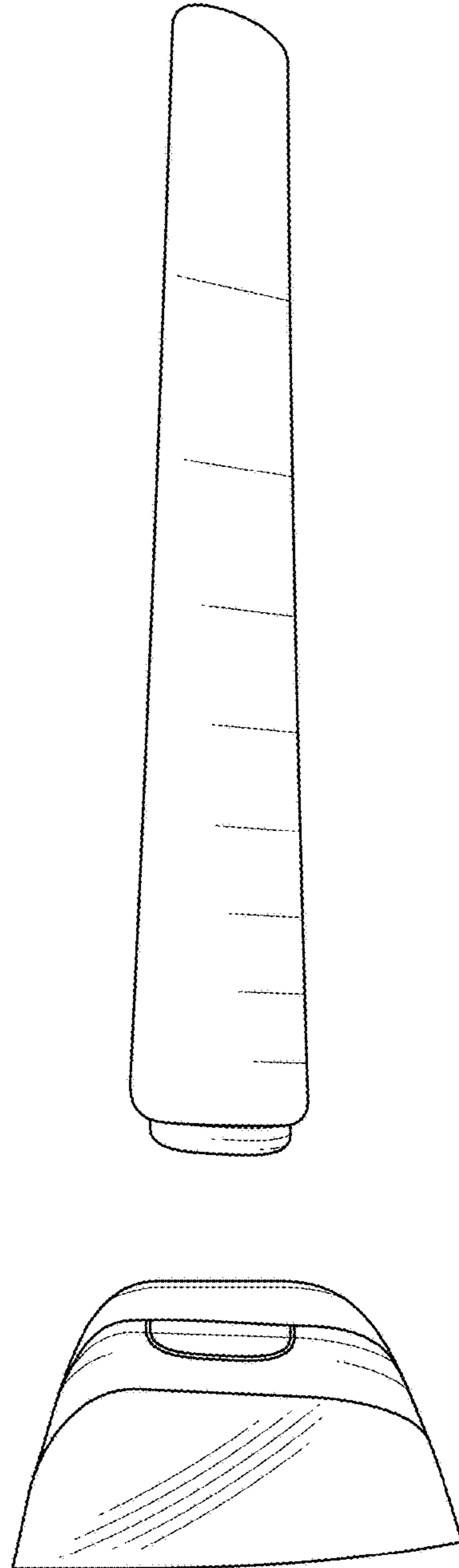


FIG. 5

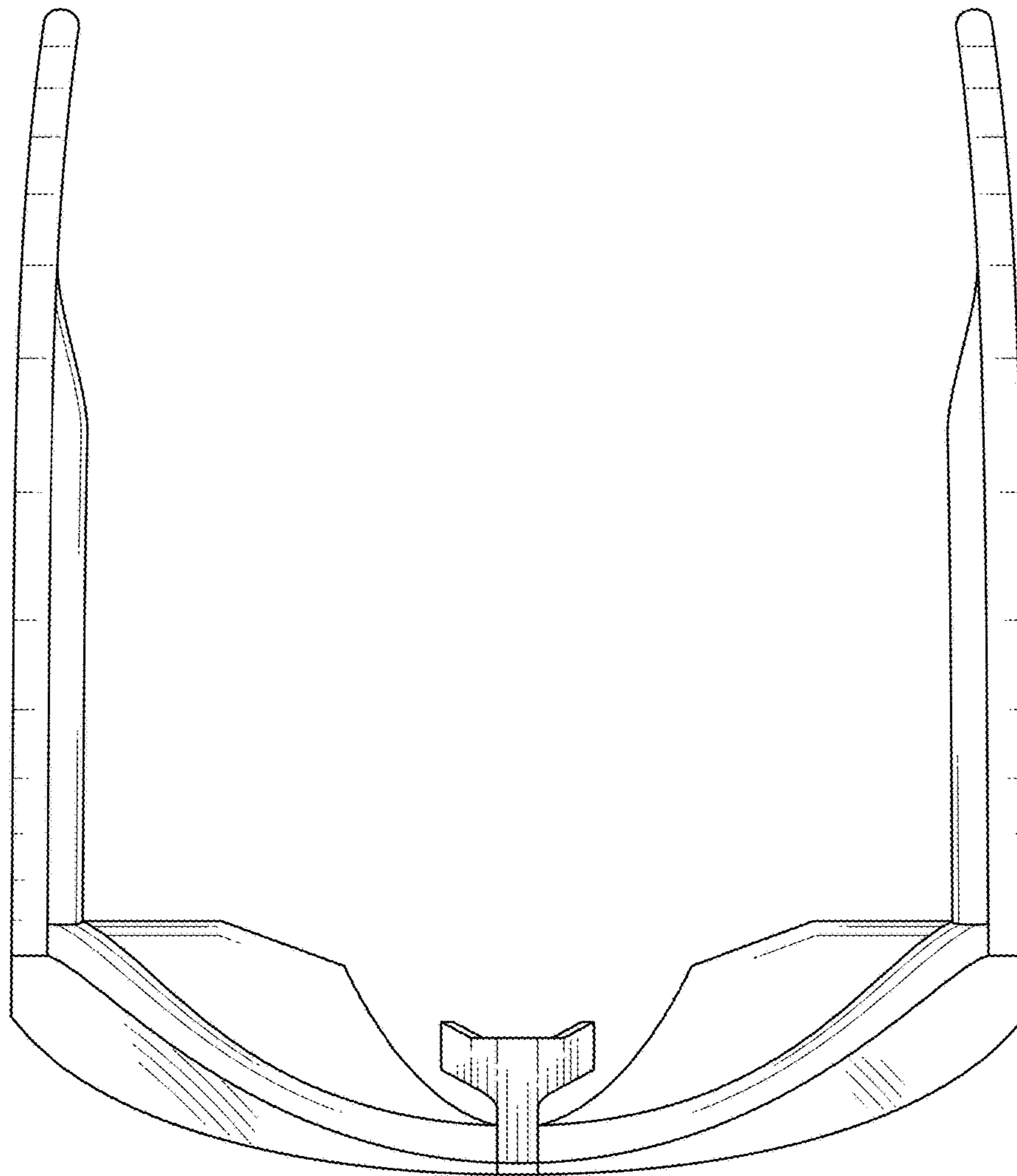


FIG. 6

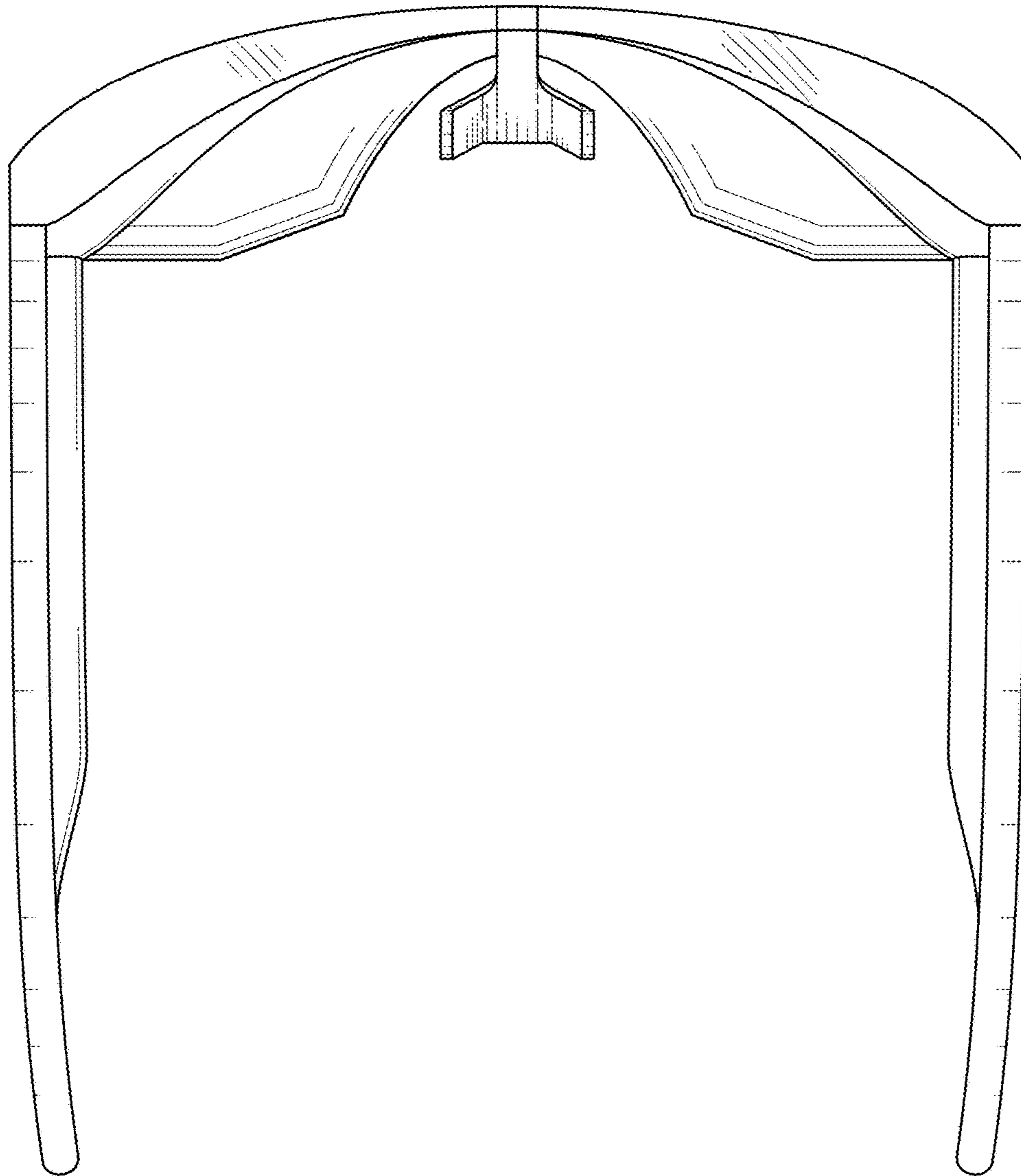


FIG. 7