



US00D819024S

(12) **United States Design Patent** (10) **Patent No.:** **US D819,024 S**  
**Jun** (45) **Date of Patent:** **\*\* May 29, 2018**

(54) **EXTERNAL SSD STORAGE DEVICE**

(71) Applicant: **SAMSUNG ELECTRONICS CO., LTD.**, Suwon-si (KR)

(72) Inventor: **Gyejin Jun**, Seongnam-si (KR)

(73) Assignee: **SAMSUNG ELECTRONICS CO., LTD.**, Suwon-si (KR)

(\*\*) Term: **15 Years**

(21) Appl. No.: **29/601,659**

(22) Filed: **Apr. 25, 2017**

(30) **Foreign Application Priority Data**

Nov. 1, 2016 (KR) ..... 30-2016-0052459

(51) **LOC (11) Cl.** ..... **14-02**

(52) **U.S. Cl.**  
USPC ..... **D14/363**; D14/356; D14/348

(58) **Field of Classification Search**  
USPC ..... D14/300-302, 314, 348-370, 383-385, D14/435, 496, 125, 135, 155, 240-242, D14/299, 474, 203.1, 203.3, 203.4, 432, D14/436, 440, 250, 433; D13/103, 107, D13/108, 110, 119, 158, 162, 184, 199; D3/276, 294, 226, 230, 244  
CPC ... G11B 33/027; G11B 33/122; G11B 33/124; G11B 33/00; G11B 33/02; G11B 33/022; G11B 33/025; H05K 5/00; H05K 5/0213; H01R 13/60

See application file for complete search history.

(56) **References Cited**

**U.S. PATENT DOCUMENTS**

D397,033 S \* 8/1998 Puglisi ..... D9/432  
D427,193 S \* 6/2000 Fedele ..... D14/348  
D436,958 S \* 1/2001 Chen ..... D14/363

D483,562 S \* 12/2003 Barton ..... D3/226  
D492,321 S \* 6/2004 Farrar ..... D14/435  
D502,164 S \* 2/2005 Ko ..... D14/203.5  
D513,615 S \* 1/2006 Ryan ..... D14/385  
D528,548 S \* 9/2006 Tang ..... D14/435  
D530,323 S \* 10/2006 Hsu ..... D14/348  
D537,818 S \* 3/2007 Burton ..... D14/480.1  
D540,792 S \* 4/2007 Wang ..... D14/356  
D557,495 S \* 12/2007 Chan ..... D3/218  
D570,772 S \* 6/2008 Mahaffey ..... D13/110  
D570,845 S \* 6/2008 Liu ..... D14/433  
D577,021 S \* 9/2008 Kuang ..... D14/363  
D581,156 S \* 11/2008 Wang ..... D14/356  
D586,808 S \* 2/2009 Wang ..... D14/356  
D590,392 S \* 4/2009 Wang ..... D14/356  
D592,619 S \* 5/2009 Woo ..... D14/125  
D592,660 S \* 5/2009 Wang ..... D14/356  
D602,492 S \* 10/2009 Wang ..... D14/356  
D609,713 S \* 2/2010 Du ..... D14/436  
D612,606 S \* 3/2010 Waldeck ..... D3/303

(Continued)

*Primary Examiner* — Susan Bennett Hattan

*Assistant Examiner* — Marie D. Fast Horse

(74) *Attorney, Agent, or Firm* — Sughrue Mion, PLLC

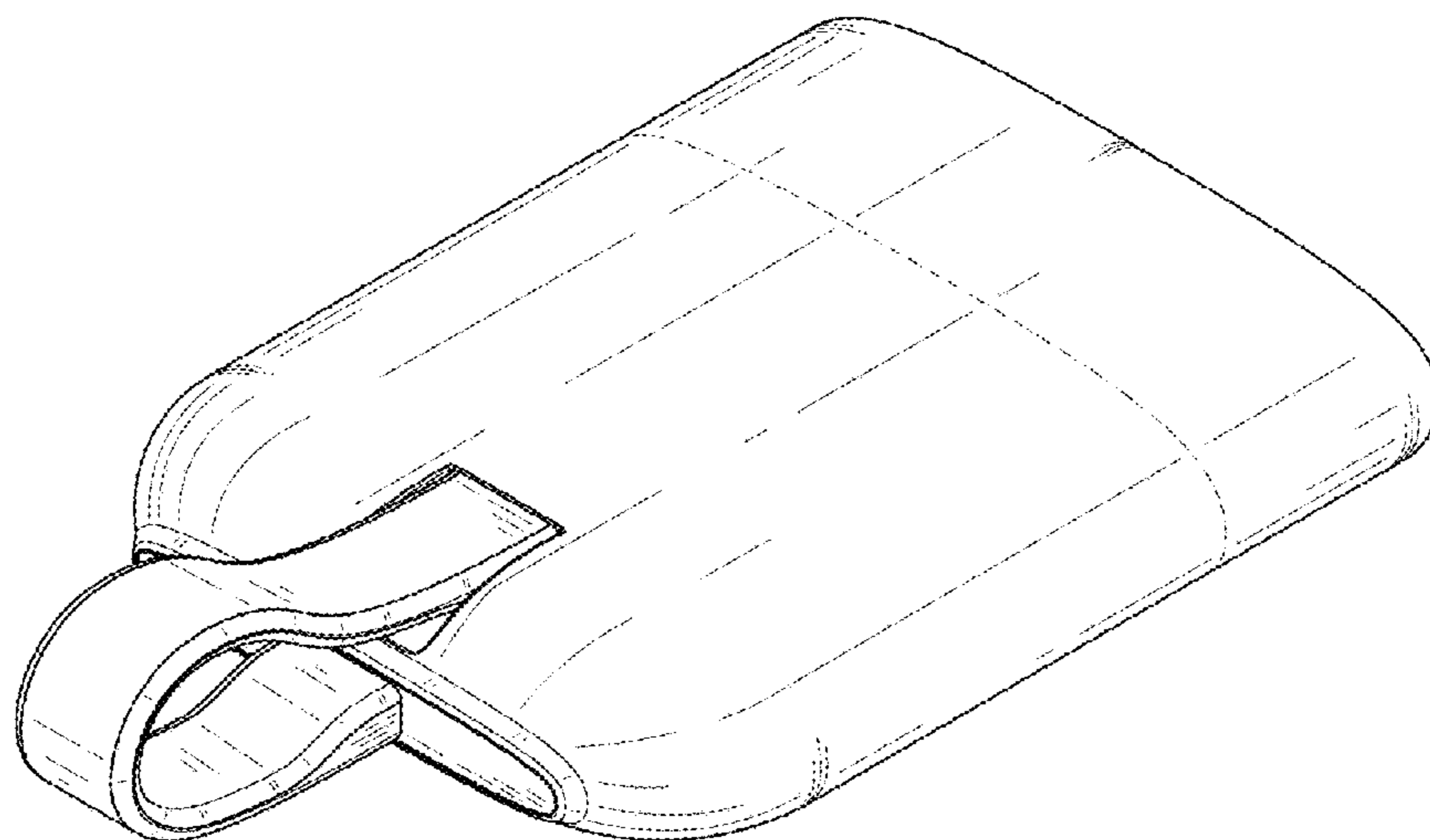
(57) **CLAIM**

The ornamental design for an external SSD storage device, as shown and described.

**DESCRIPTION**

FIG. 1 is a perspective view of an external SSD storage device showing my new design;  
FIG. 2 is a front view thereof;  
FIG. 3 is a rear view thereof;  
FIG. 4 is a left side view thereof;  
FIG. 5 is a right side view thereof;  
FIG. 6 is a top plan view thereof; and,  
FIG. 7 is a bottom plan view thereof.  
The broken line in the drawings depicts a portion of the external SSD storage device that forms no part of the claimed design.

**1 Claim, 5 Drawing Sheets**



(56)

References Cited

U.S. PATENT DOCUMENTS

D618,237 S \* 6/2010 Wang ..... D14/356  
 D628,151 S \* 11/2010 Wegener ..... D13/108  
 D628,153 S \* 11/2010 Fujii ..... D13/108  
 D628,571 S \* 12/2010 Wang ..... D14/356  
 D628,572 S \* 12/2010 Wang ..... D14/356  
 D652,379 S \* 1/2012 Vandiver ..... D13/108  
 D661,698 S \* 6/2012 Chaturvedi ..... D14/240  
 D662,050 S \* 6/2012 Tien ..... D13/108  
 D666,163 S \* 8/2012 Hsu ..... D14/125  
 D672,309 S \* 12/2012 Tien ..... D13/108  
 D674,748 S \* 1/2013 Ferber ..... D13/108  
 D680,063 S \* 4/2013 Sasada ..... D13/103  
 D681,634 S \* 5/2013 Chen ..... D14/351  
 D682,197 S \* 5/2013 Leung ..... D13/103  
 D683,135 S \* 5/2013 Smith ..... D3/218  
 8,462,460 B1 \* 6/2013 Szeremeta ..... G11B 33/025  
 360/97.19  
 D697,867 S \* 1/2014 Weinstein ..... D13/108  
 D721,646 S \* 1/2015 Kim ..... D13/103  
 D722,952 S \* 2/2015 Hu ..... D13/103  
 D722,961 S \* 2/2015 Lin ..... D13/103  
 D724,526 S \* 3/2015 Lee ..... D13/103  
 D724,527 S \* 3/2015 Lee ..... D13/103  
 D727,257 S \* 4/2015 Miller ..... D13/103  
 D727,258 S \* 4/2015 Miller ..... D13/103  
 D727,843 S \* 4/2015 Miller ..... D13/103  
 D727,844 S \* 4/2015 Miller ..... D13/103  
 D727,845 S \* 4/2015 Miller ..... D13/103  
 D729,522 S \* 5/2015 Kim ..... D3/218

D733,713 S \* 7/2015 Shim ..... D14/435  
 D740,808 S \* 10/2015 Kono ..... D14/365  
 D742,312 S \* 11/2015 Gupta ..... D13/103  
 D743,398 S \* 11/2015 Smith ..... D14/433  
 D751,071 S \* 3/2016 Kurata ..... D14/365  
 D758,366 S \* 6/2016 Peng ..... D14/363  
 D760,223 S \* 6/2016 Peng ..... D14/363  
 D764,404 S \* 8/2016 Lau ..... D13/103  
 D765,073 S \* 8/2016 Niizawa ..... D14/356  
 D765,593 S \* 9/2016 Hoshikawa ..... D13/103  
 D779,474 S \* 2/2017 Kim ..... D14/250  
 9,594,409 B1 \* 3/2017 Szeremeta ..... G06F 1/187  
 D783,525 S \* 4/2017 Gupta ..... D13/108  
 D797,040 S \* 9/2017 Lavin, Jr. .... D13/103  
 D806,378 S \* 1/2018 Lerenthal ..... D3/201  
 2004/0141253 A1 \* 7/2004 Funawatari ..... G06F 1/1632  
 360/99.14  
 2006/0164753 A1 \* 7/2006 Huang ..... G11B 33/122  
 360/97.13  
 2006/0252305 A1 \* 11/2006 Le ..... H01R 13/60  
 439/528  
 2008/0227380 A1 \* 9/2008 Hsu ..... G11B 33/025  
 454/184  
 2010/0279518 A1 \* 11/2010 Watanabe ..... H01R 13/44  
 439/40  
 2012/0050977 A1 \* 3/2012 Lai ..... G06F 1/187  
 361/679.33  
 2016/0197445 A1 \* 7/2016 Bryngelsson ..... H01R 13/72  
 439/501  
 2017/0185117 A1 \* 6/2017 Szeremeta ..... G06F 1/20

\* cited by examiner

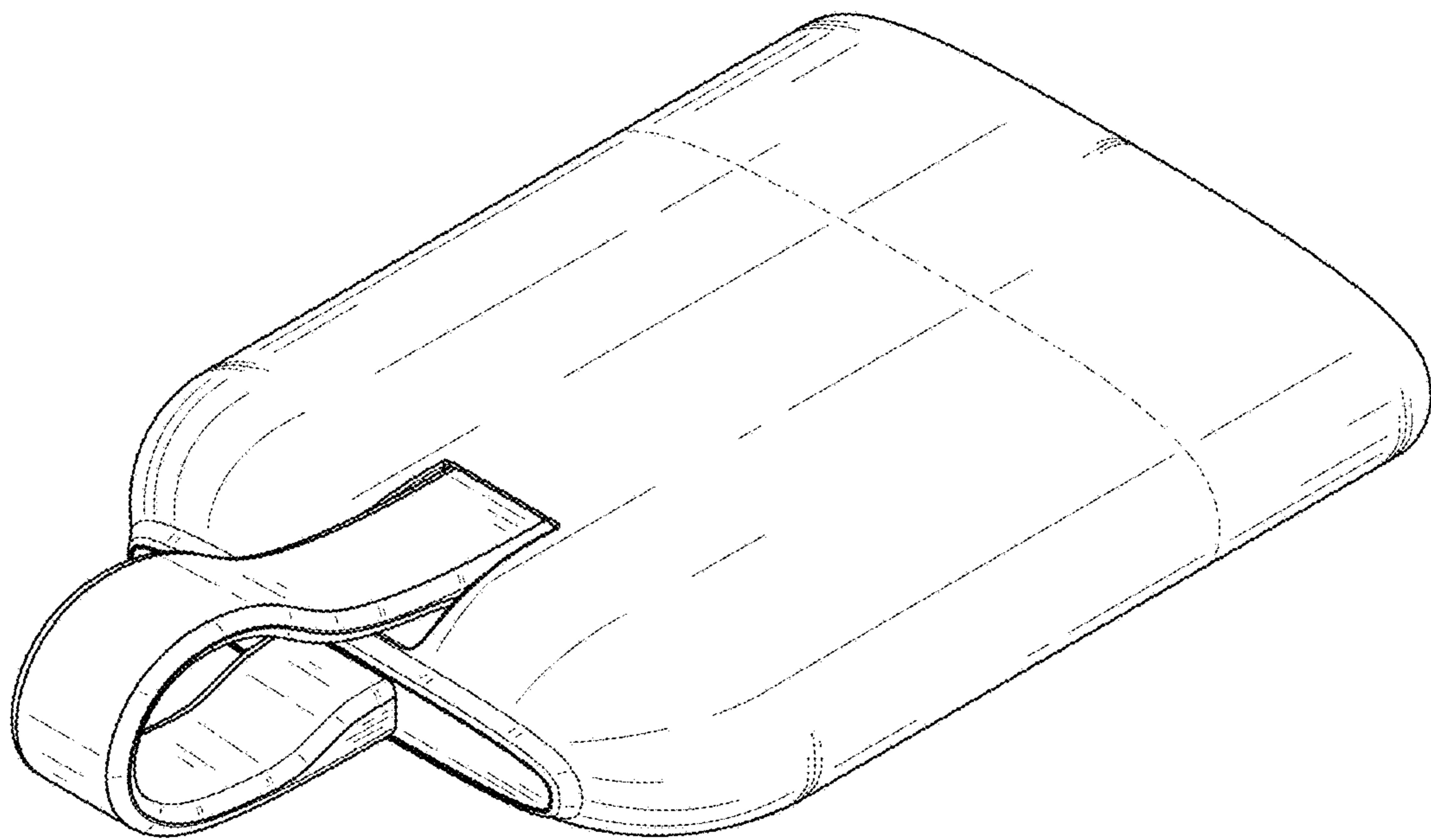


FIG. 1

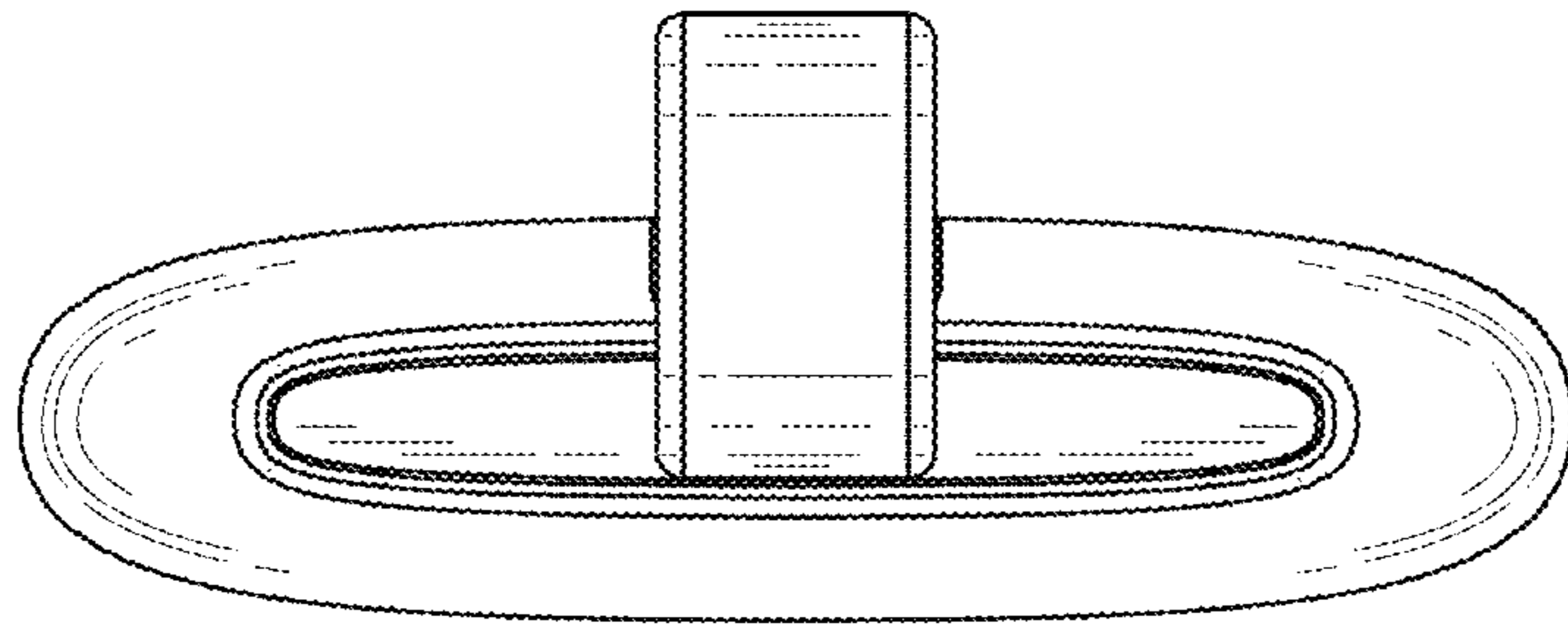


FIG. 2

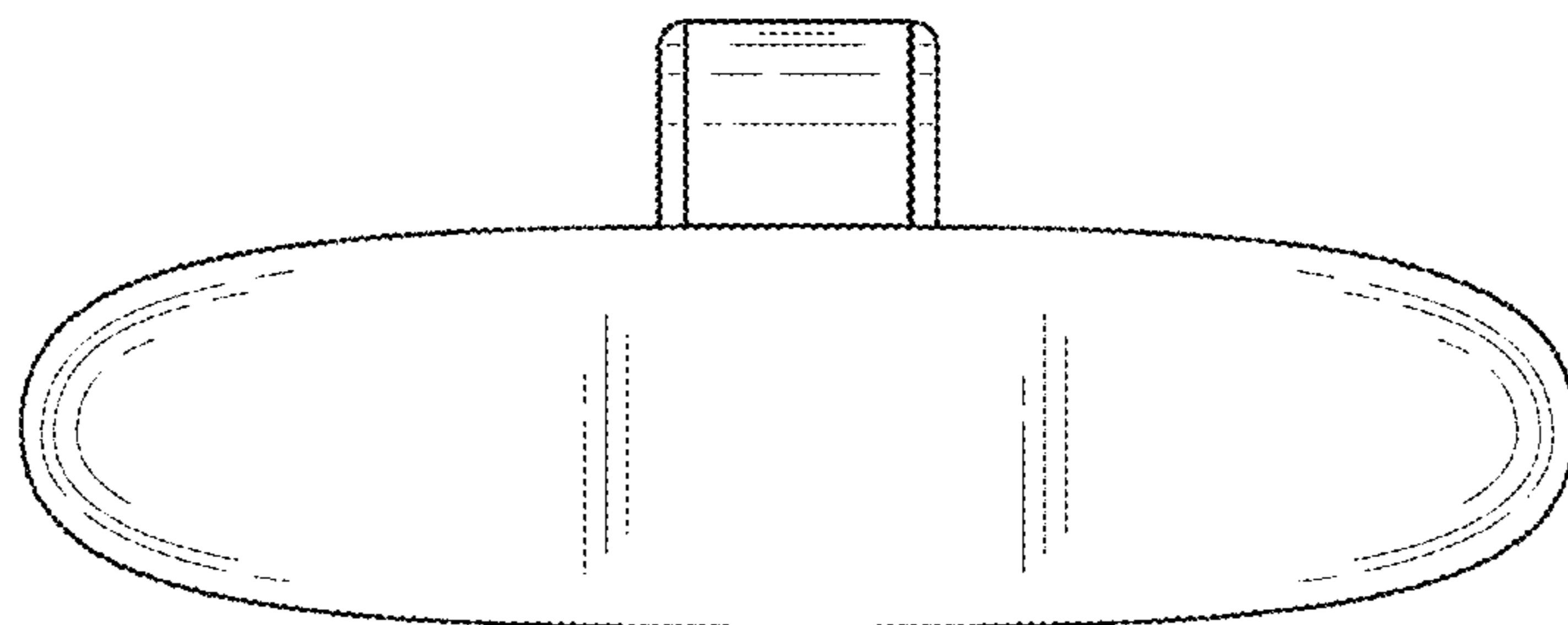


FIG. 3



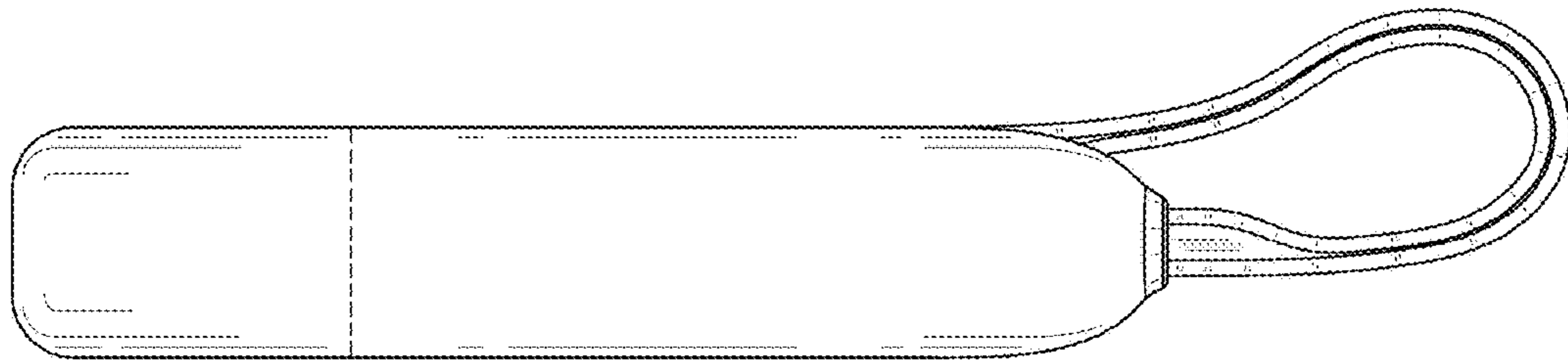


FIG. 4

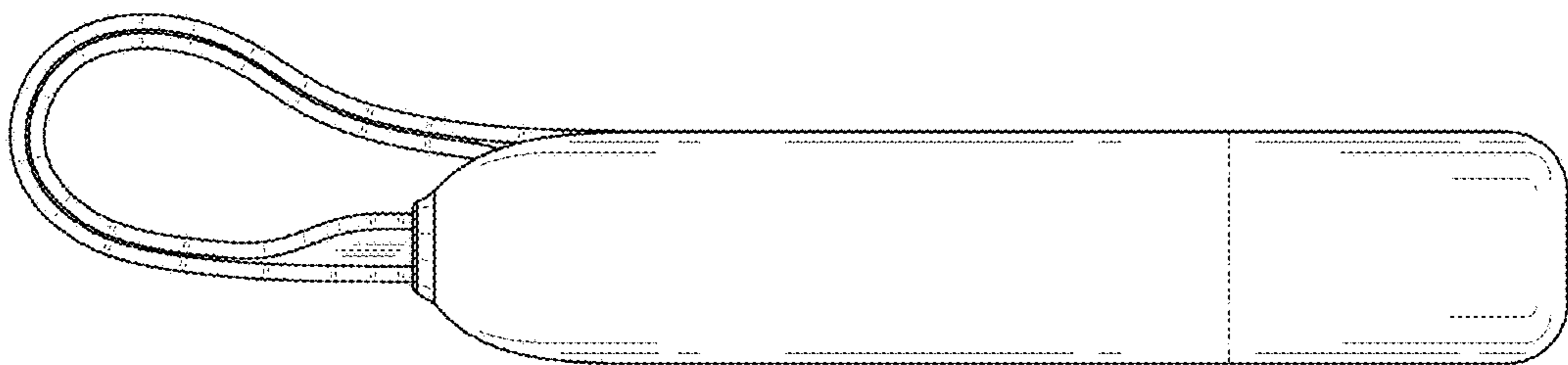


FIG. 5

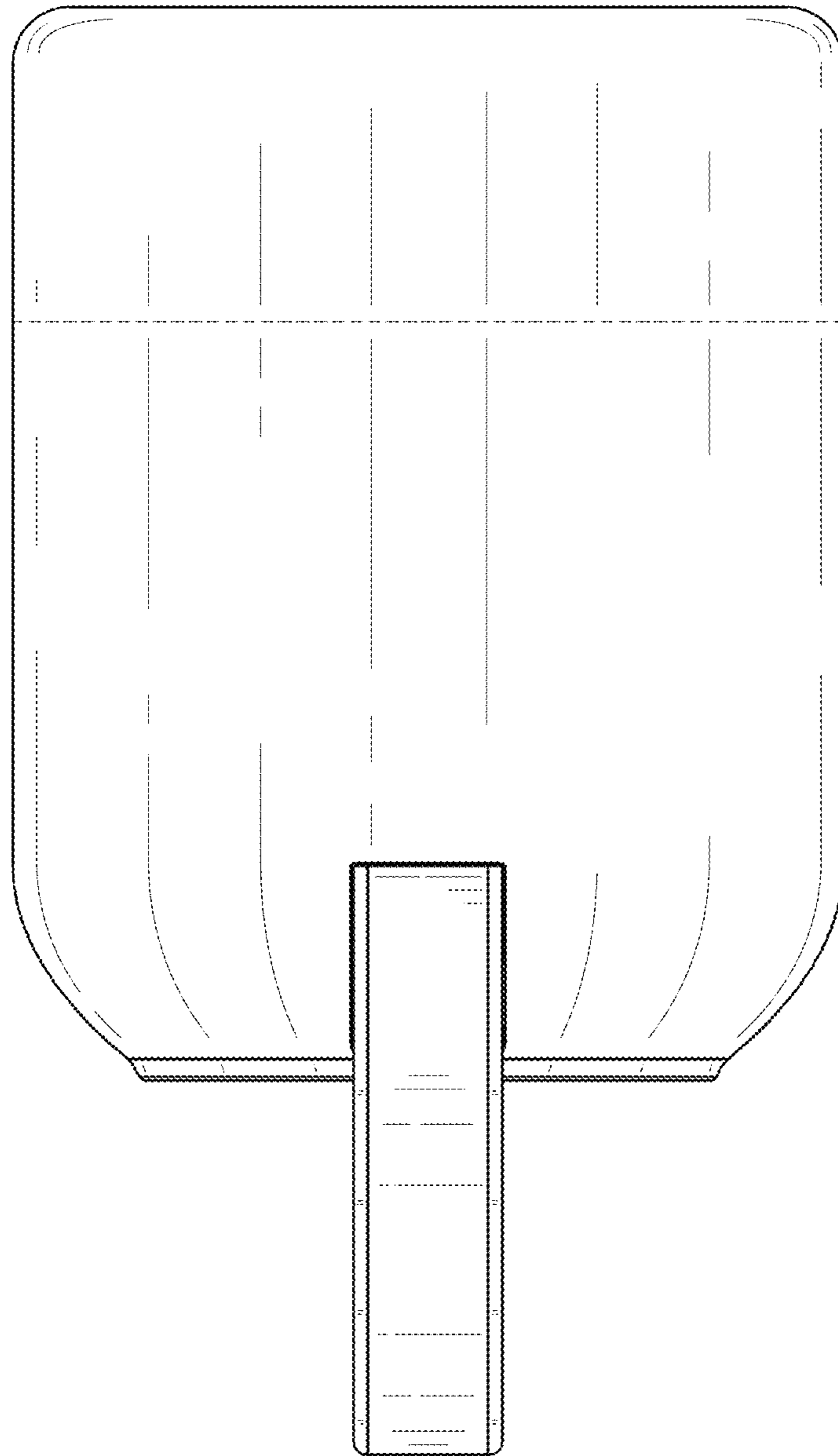


FIG. 6

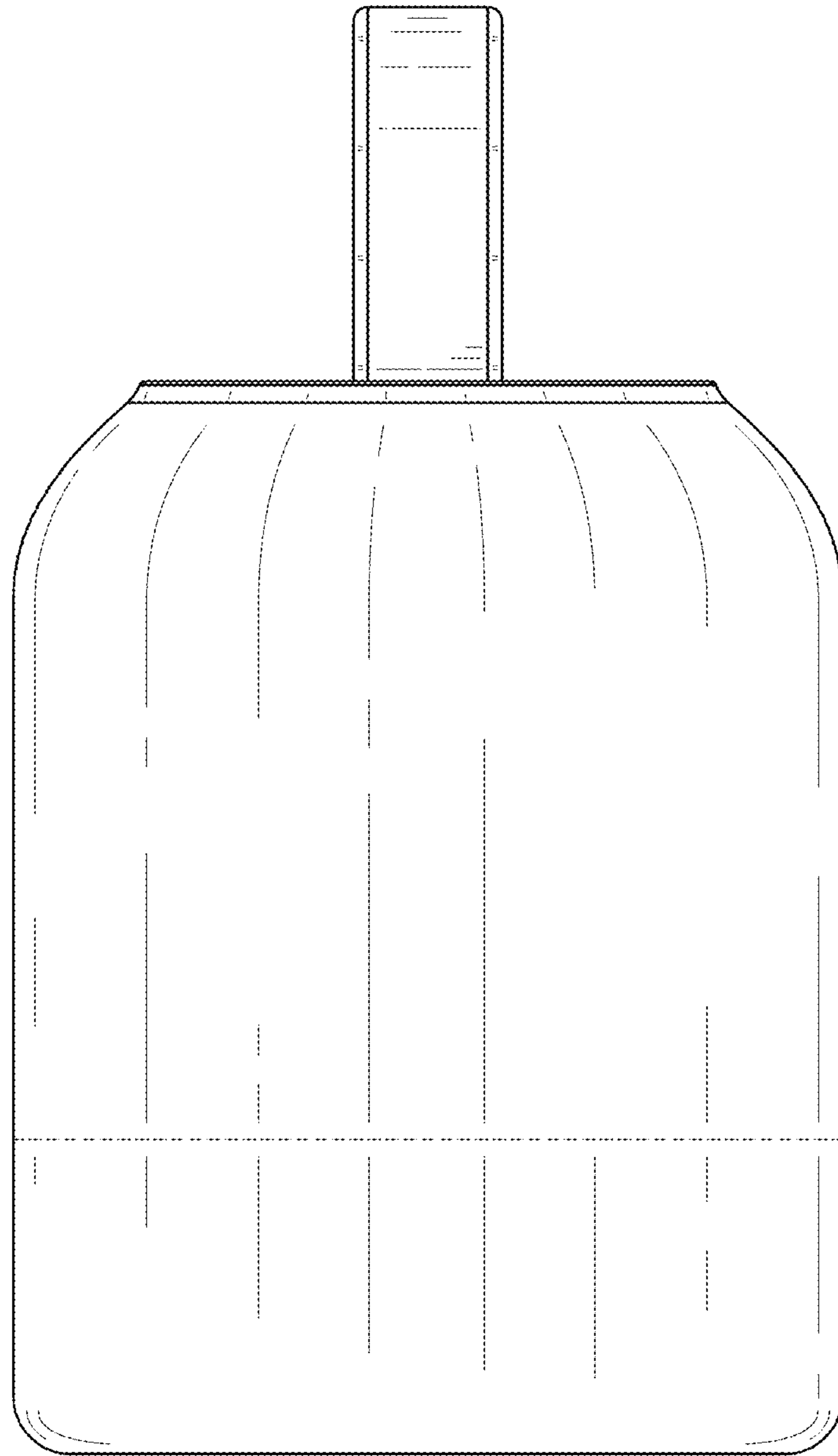


FIG. 7