



US00D819020S

(12) **United States Design Patent**
Choi et al.

(10) **Patent No.:** **US D819,020 S**
(45) **Date of Patent:** **** May 29, 2018**

(54) **DISPLAY DEVICE**

(71) Applicant: **SAMSUNG DISPLAY CO., LTD.**,
Yongin-si, Gyeonggi-do (KR)

(72) Inventors: **Jin Hwan Choi**, Seoul (KR); **Hyun Woo Koo**, Hwaseong-si (KR); **Kyu Young Kim**, Suwon-si (KR); **Jeong Ho Kim**, Seoul (KR); **Tae Woong Kim**, Seongnam-si (KR); **Yeon Gon Mo**, Yongin-si (KR); **Tae An Seo**, Hwaseong-si (KR); **Jung Hun Lee**, Hwaseong-si (KR)

(73) Assignee: **Samsung Display Co., Ltd.**, Yongin-si (KR)

(**) Term: **15 Years**

(21) Appl. No.: **29/587,125**

(22) Filed: **Dec. 9, 2016**

(30) **Foreign Application Priority Data**

Jun. 14, 2016 (KR) 30-2016-0028586

(51) **LOC (11) Cl.** **14-02**

(52) **U.S. Cl.**
USPC **D14/341**

(58) **Field of Classification Search**
USPC D14/341-347, 125-134, 137, 138 R, D14/138 AA, 138 AB, 138 C, 138 G, 147,
(Continued)

(56) **References Cited**

U.S. PATENT DOCUMENTS

7,209,114 B2 * 4/2007 Radley-Smith A44C 5/0007
345/156
7,710,370 B2 * 5/2010 Slikkerveer G09F 9/35
345/31

(Continued)

FOREIGN PATENT DOCUMENTS

KR 30-0757712 8/2014
KR 10-1570869 11/2015

(Continued)

OTHER PUBLICATIONS

Concept Muscular Mobile, posted Nov. 19, 2012, [retrieved Dec. 9, 2017]. Retrieved from Internet, <URL: <http://itechfuture.com/concept-muscular-mobile/>>.*

(Continued)

Primary Examiner — Barbara Fox

Assistant Examiner — Kristin E Reed

(74) *Attorney, Agent, or Firm* — Lewis Roca Rothgerber Christie LLP

(57) **CLAIM**

The ornamental design for display device, as shown and described.

DESCRIPTION

FIG. 1 is a perspective view of a display device in a rolled state showing our new design, in a first embodiment;

FIG. 2 is a front view thereof;

FIG. 3 is a rear view thereof;

FIG. 4 is a left side view thereof;

FIG. 5 is a right side view thereof;

FIG. 6 is a top view thereof;

FIG. 7 is a bottom view thereof;

FIGS. 8 and 9 are perspective views of the display device of FIG. 1 when the display device is fully unrolled;

FIGS. 10 to 12 are perspective views of the display device of FIG. 1 when the display device is partially unrolled;

FIGS. 13 and 14 are perspective views of the display device of FIG. 1 illustrating that images such as icons and a keyboard can be displayed on the screen of the display device according to the present design, the images being shown for reference only and forming no part of the claimed design;

FIG. 15 is a perspective view of a display device in a rolled state, in a second embodiment.

(Continued)

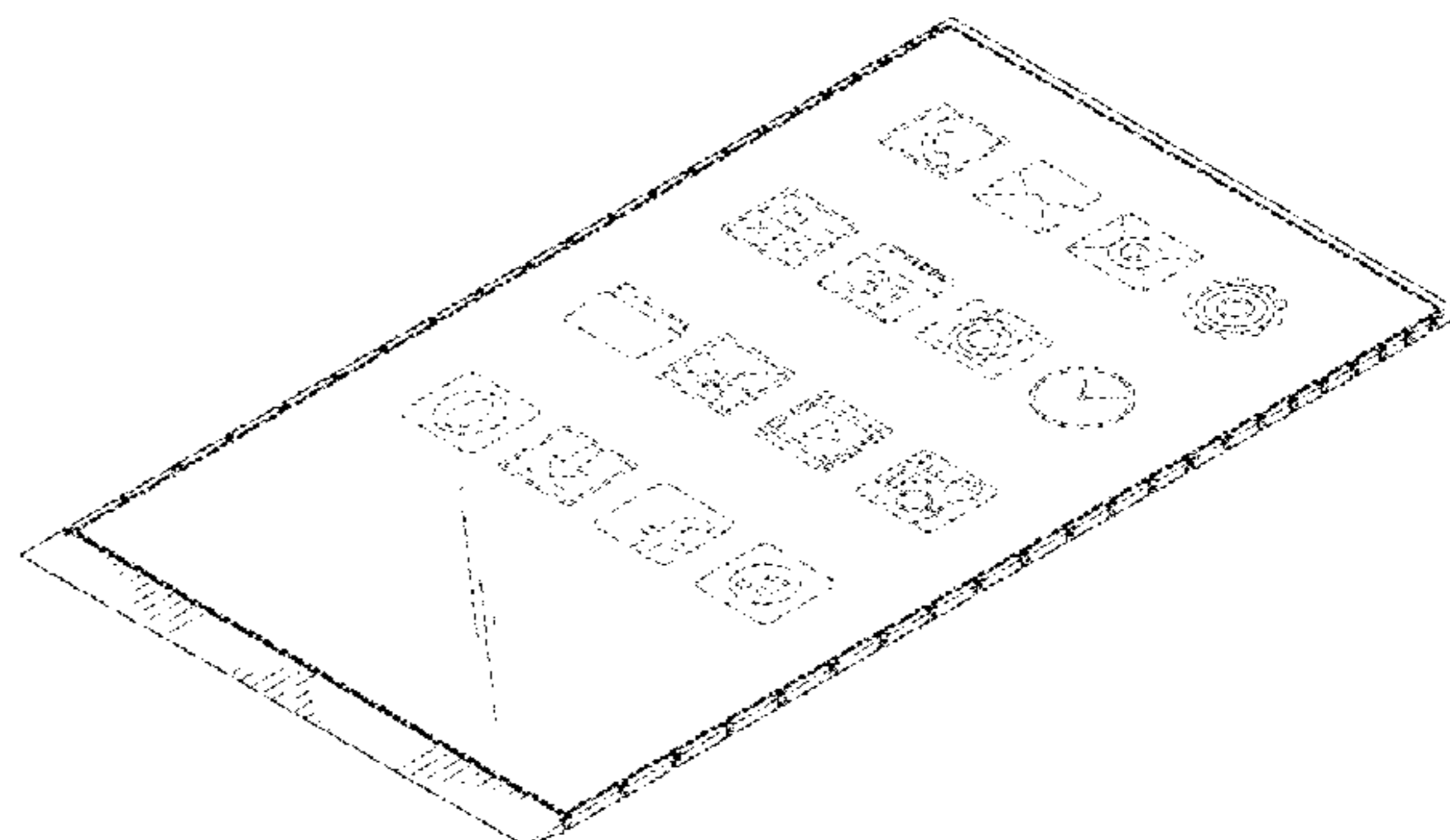
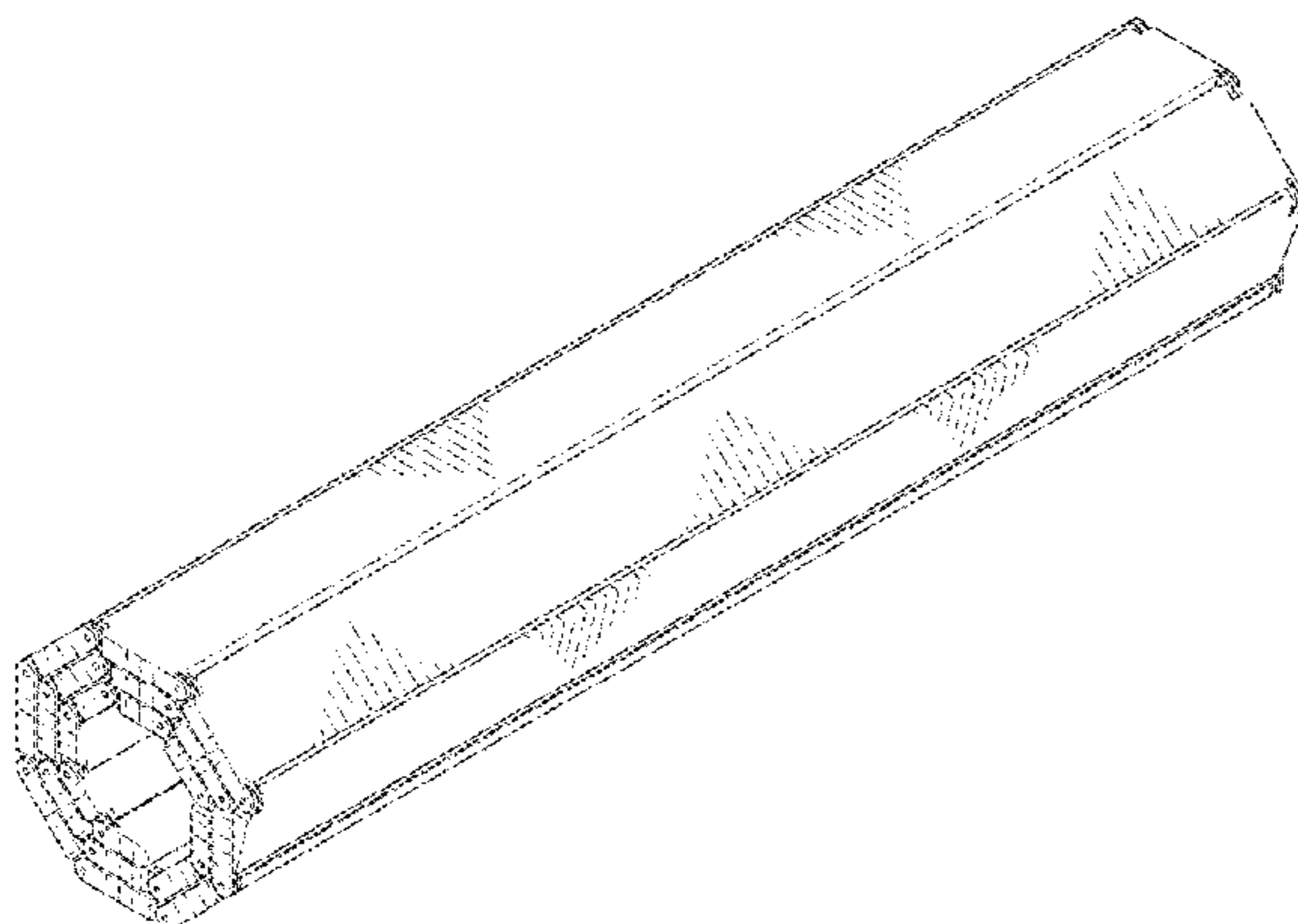


FIG. 16 is a front view of the display device of FIG. 15;
 FIG. 17 is a rear view of the display device of FIG. 15;
 FIG. 18 is a left side view of the display device of FIG. 15;
 FIG. 19 is a right side view of the display device of FIG. 15;
 FIG. 20 is a top view of the display device of FIG. 15;
 FIG. 21 is a bottom view of the display device of FIG. 15;
 FIGS. 22 and 23 are perspective views of the display device
 of FIG. 15 when the display device is fully unrolled;
 FIGS. 24 to 26 are perspective views of the display device
 of FIG. 15 when the display device is partially unrolled; and,
 FIGS. 27 and 28 are perspective views of the display device
 of FIG. 15 illustrating that images such as icons and a
 keyboard can be displayed on the screen of the display
 device according to the present design, the images being
 shown for reference only and forming no part of the claimed
 design.

The broken lines shown in the drawings illustrate portions of
 the display device that form no part of the claimed design.

1 Claim, 28 Drawing Sheets

(58) **Field of Classification Search**

USPC ... D14/203.1, 203.3, 203.4, 203.7, 218, 247,
 D14/248, 332, 336, 371, 374-377, 388,
 D14/389, 315-318, 420, 426, 429, 440,
 D14/448, 450, 489, 492, 496;
 D6/300-310; D10/50, 65, 104.1;
 D16/241; D18/6; D20/10, 19, 39;
 D21/329, 330; 455/575.3
 CPC . A63H 33/3016; G06F 1/1613; G06F 1/1641;
 G06F 1/1643; G06F 1/1647; G06F
 3/04883; G06F 3/0486; G06F 3/04847;
 G06F 3/04845; G06F 3/0484; G06F
 3/04817; H05K 5/0004; H05K 5/0017;
 H05K 5/02; H05K 5/0217; H04M 1/0279;
 H04M 1/0281; H04M 1/0283; H04N
 13/0459; G09B 21/02; G09B 21/025;
 G09B 21/04; G09B 21/00; G09B 21/001;

G09B 21/002; G09B 21/003; G09B
 21/004; G09B 21/005

See application file for complete search history.

(56)

References Cited

U.S. PATENT DOCUMENTS

D669,467 S * 10/2012 Ballout D14/336
 8,380,327 B2 * 2/2013 Park G05B 11/01
 29/592.1
 8,654,519 B2 * 2/2014 Visser G09F 9/00
 361/679.21
 D716,247 S * 10/2014 Yun D10/32
 9,071,673 B2 * 6/2015 Choi H04M 1/0216
 D740,242 S * 10/2015 Park D14/126
 9,239,594 B2 * 1/2016 Lee G06F 1/1652
 9,280,176 B2 * 3/2016 Chong G06F 1/1601
 9,335,793 B2 * 5/2016 Rothkopf A45C 13/002
 D763,849 S * 8/2016 Choo D14/341
 9,417,488 B2 * 8/2016 Kim G02F 1/134309
 9,606,384 B2 * 3/2017 Kim G02F 1/133308
 9,615,473 B2 * 4/2017 Kim G06F 1/1652
 9,661,114 B2 * 5/2017 Jeong H04M 1/0268
 D788,734 S * 6/2017 Park D14/138 AB
 9,772,657 B2 * 9/2017 Takayanagi G06F 1/1652
 9,836,088 B2 * 12/2017 Choi G06F 1/1652
 2015/0364065 A1 12/2015 Zou et al.

FOREIGN PATENT DOCUMENTS

KR 10-2015-0137216 12/2015
 KR 10-2016-0032795 3/2016

OTHER PUBLICATIONS

Polyera Breaks Mold with Flexible Display Product, posted Aug.
 17, 2015, [retrieved Dec. 9, 2017]. Retrieved from Internet, <URL:
https://www.newsfactor.com/story.xhtml?story_id=98544 >.*
 A Flexible Display Enables a New Intuitive User Interface, posted
 Feb. 25, 2013, [retrieved Dec. 9, 2017]. Retrieved from Internet,
 <URL : [http://monitorsolution.blogspot.com/2013/02/flexible-dis-
 play.html#!/2013/02/flexible-display.html](http://monitorsolution.blogspot.com/2013/02/flexible-display.html#!/2013/02/flexible-display.html) >.*

* cited by examiner

FIG. 1

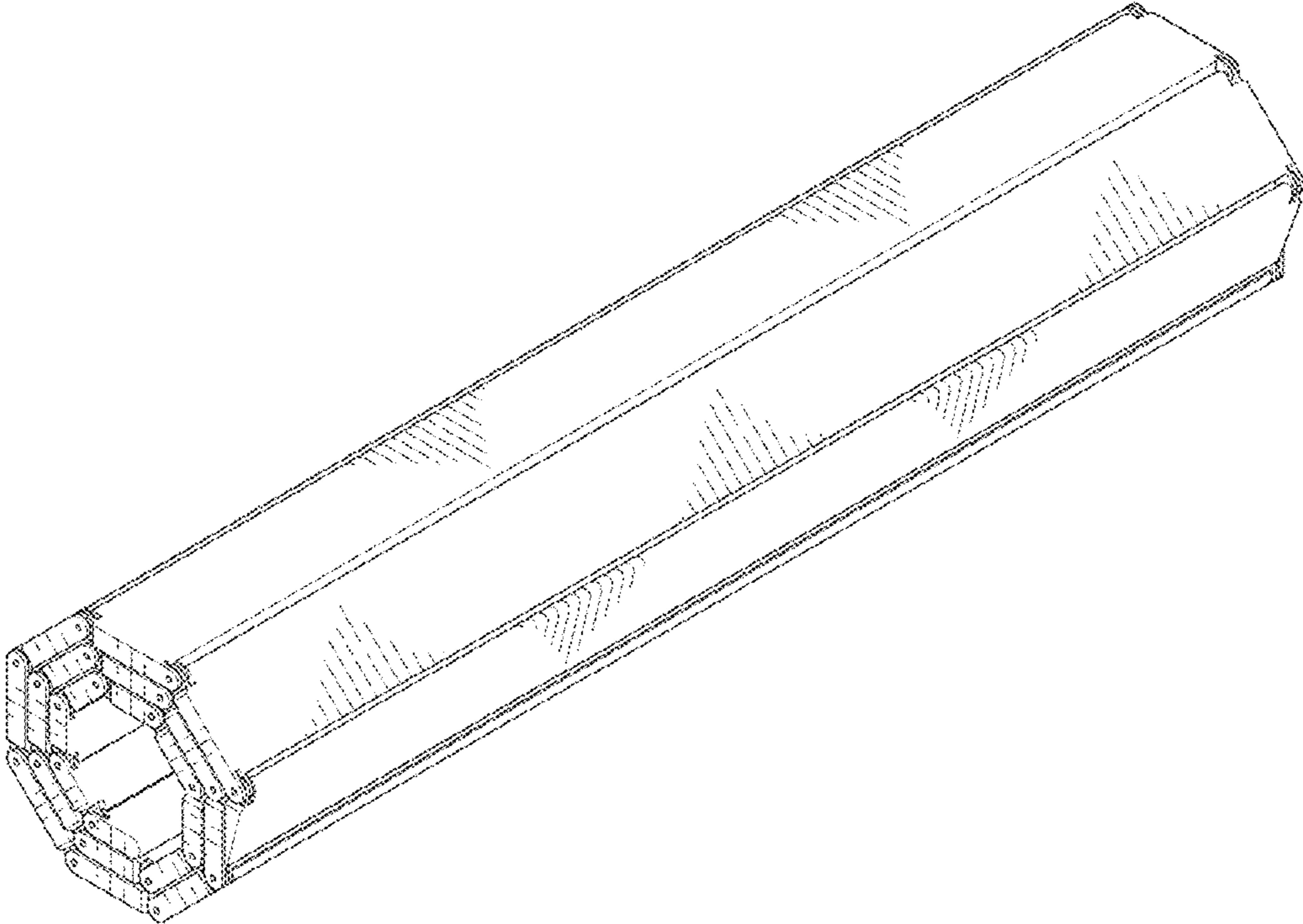


FIG. 2

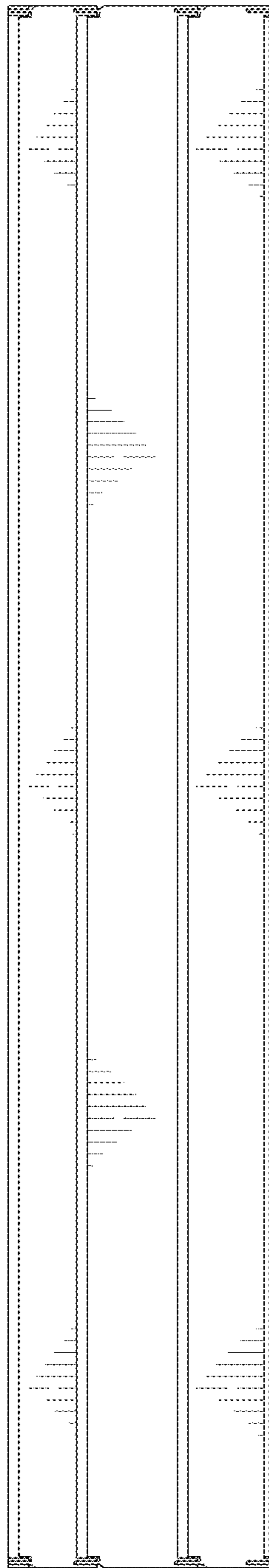


FIG. 3

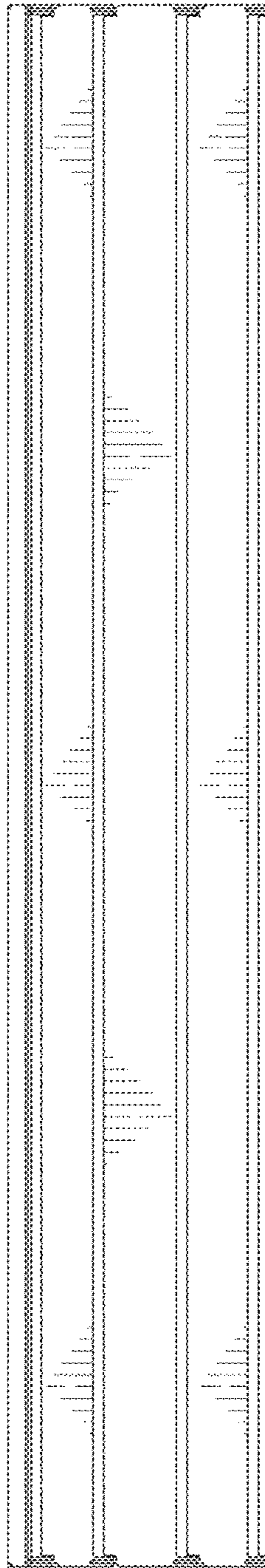


FIG. 4

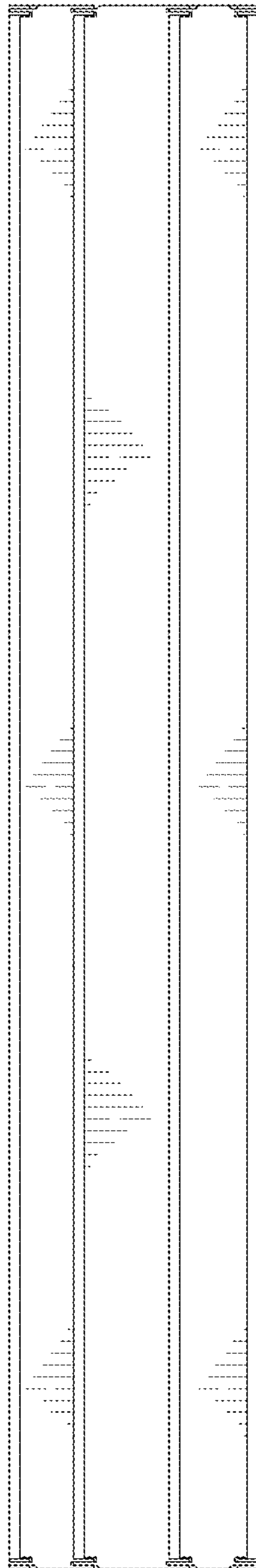


FIG. 5

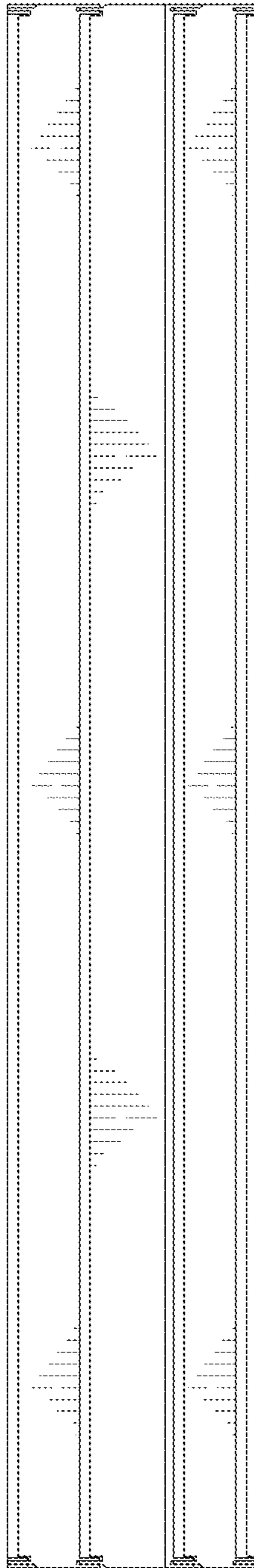


FIG. 6

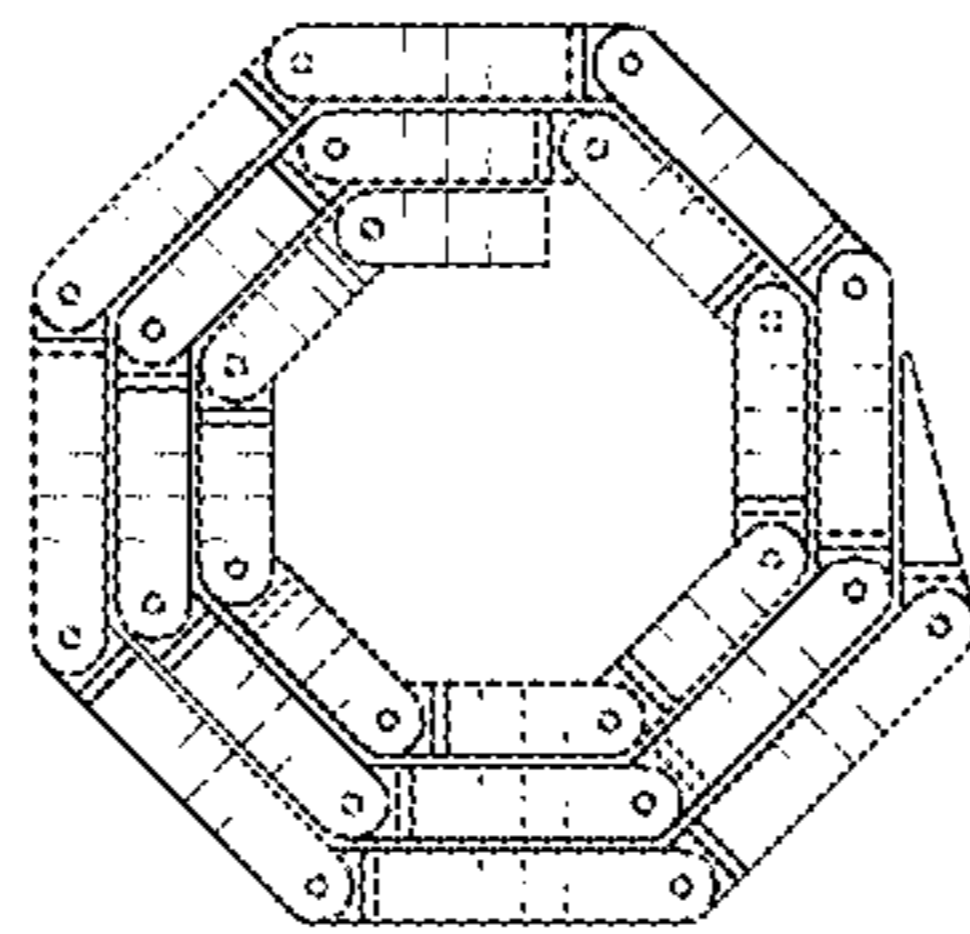


FIG. 7

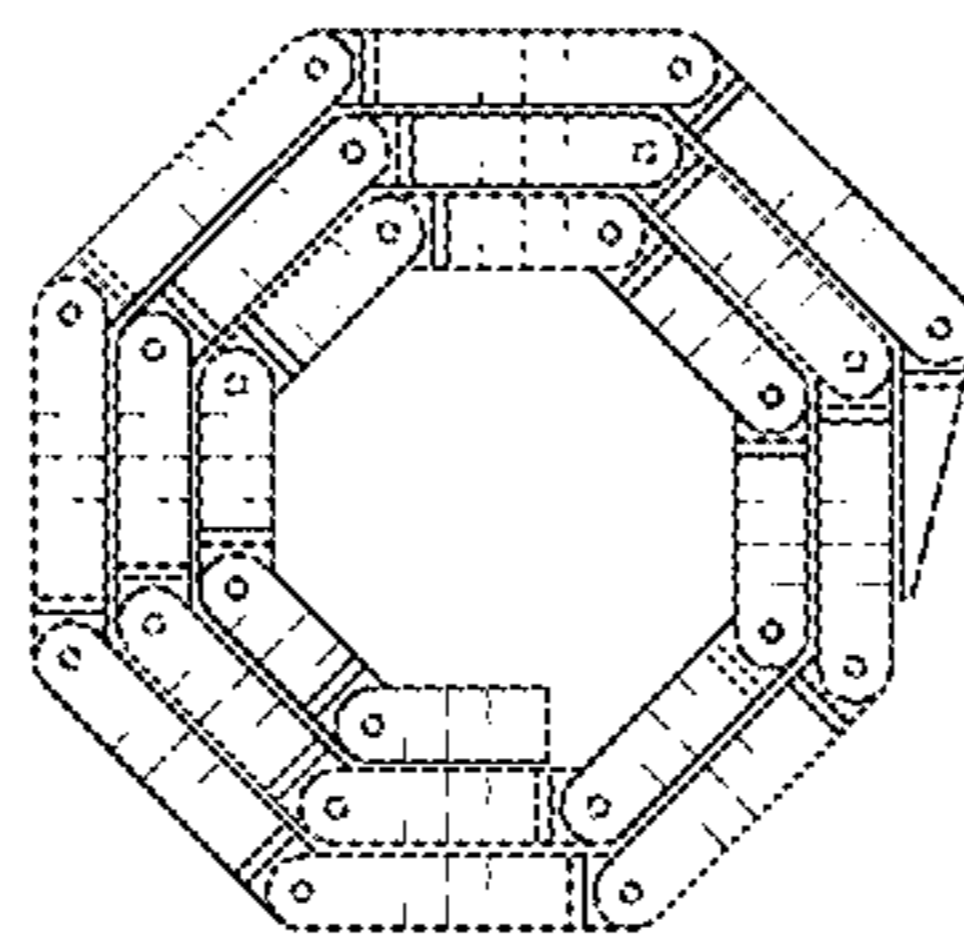


FIG. 8

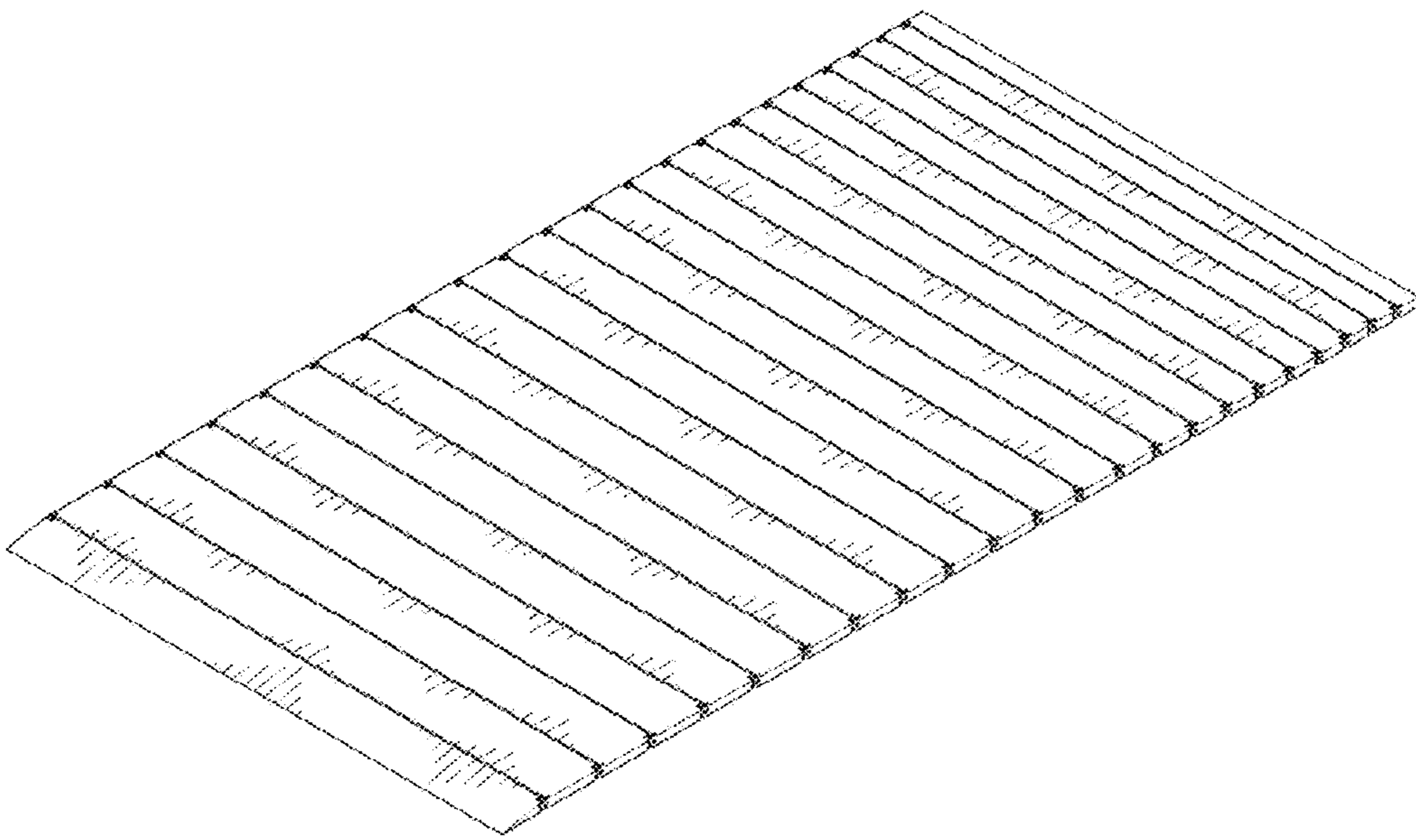


FIG. 9

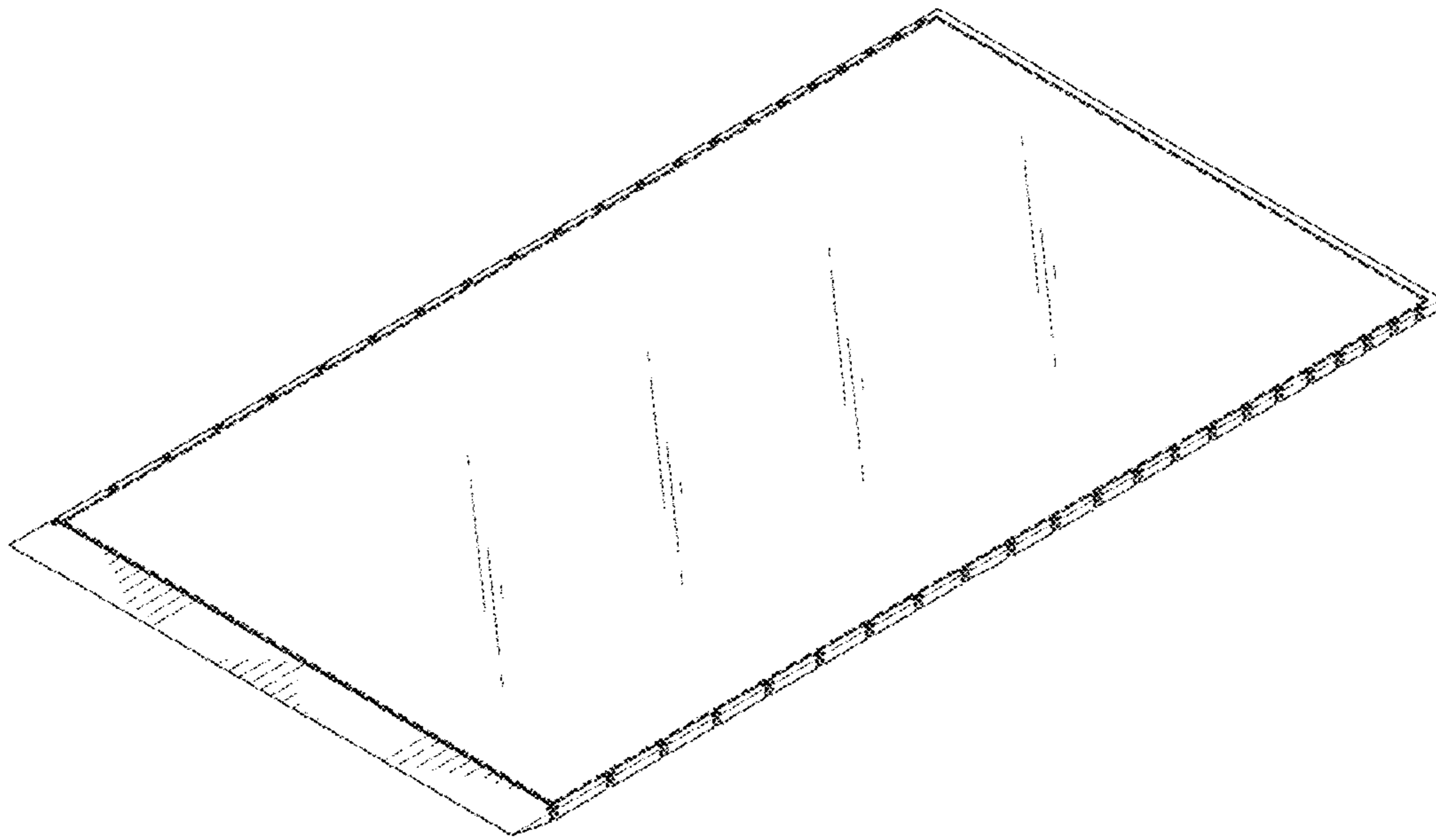


FIG. 10

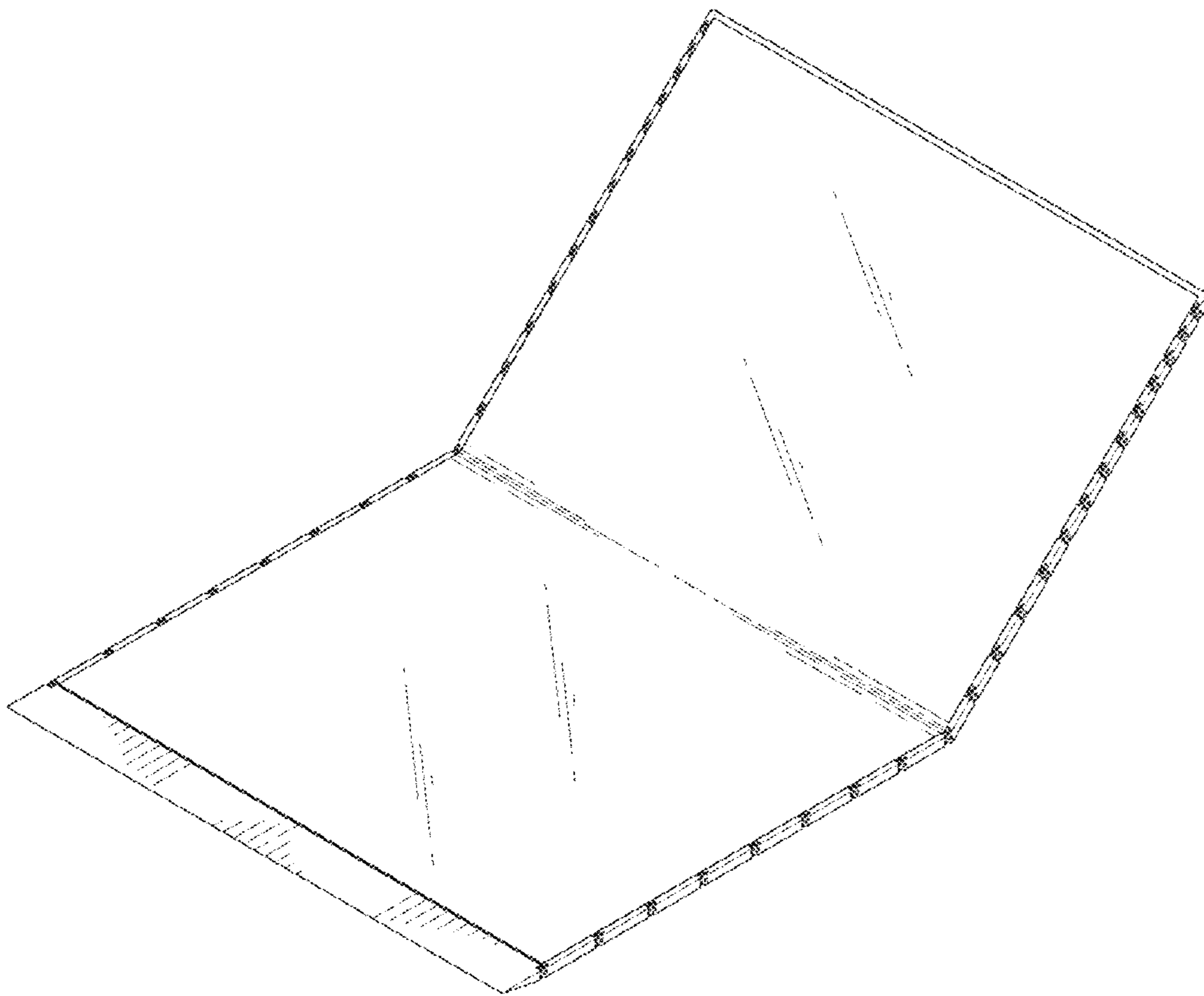


FIG. 11

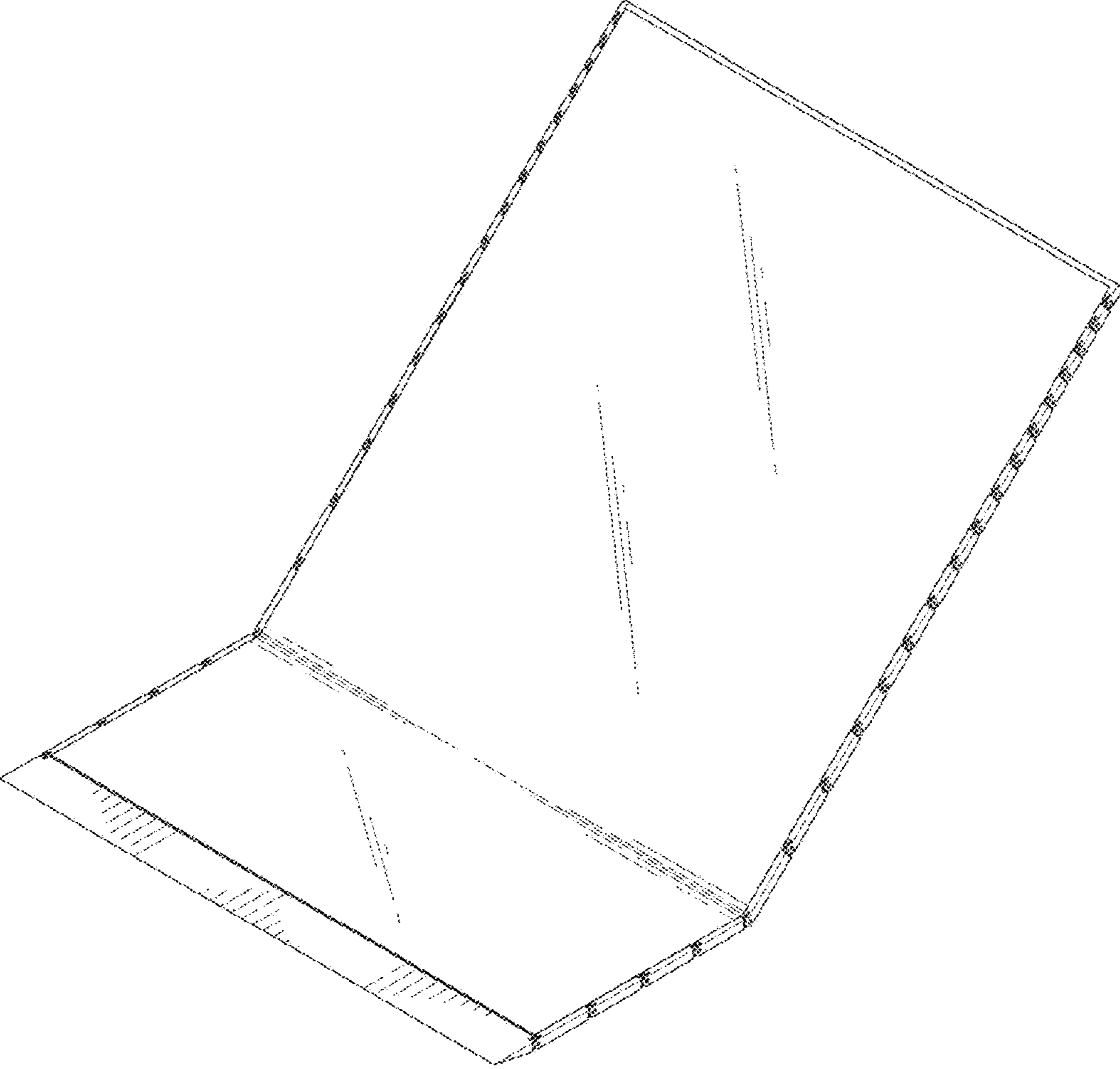


FIG. 12

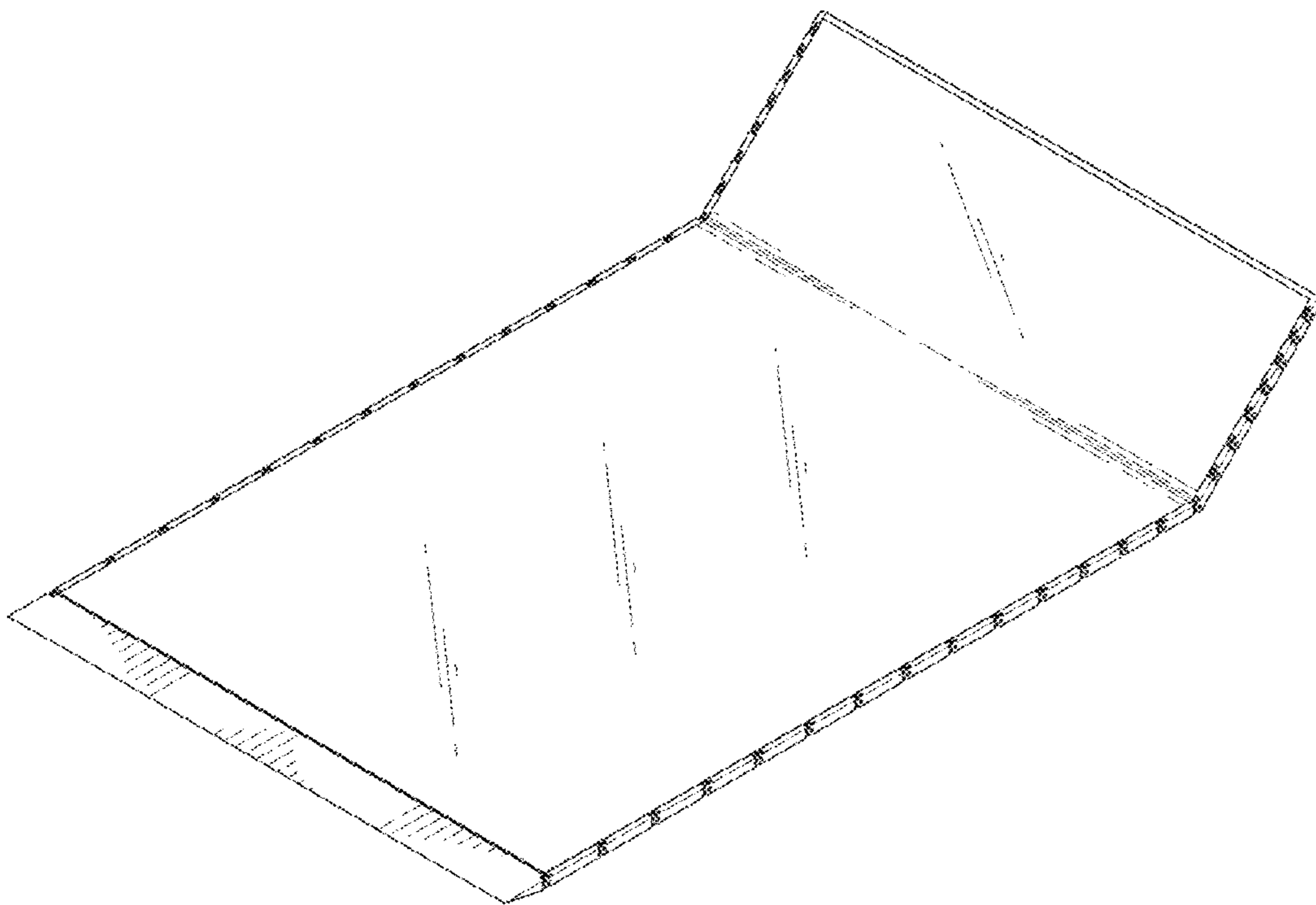


FIG. 13

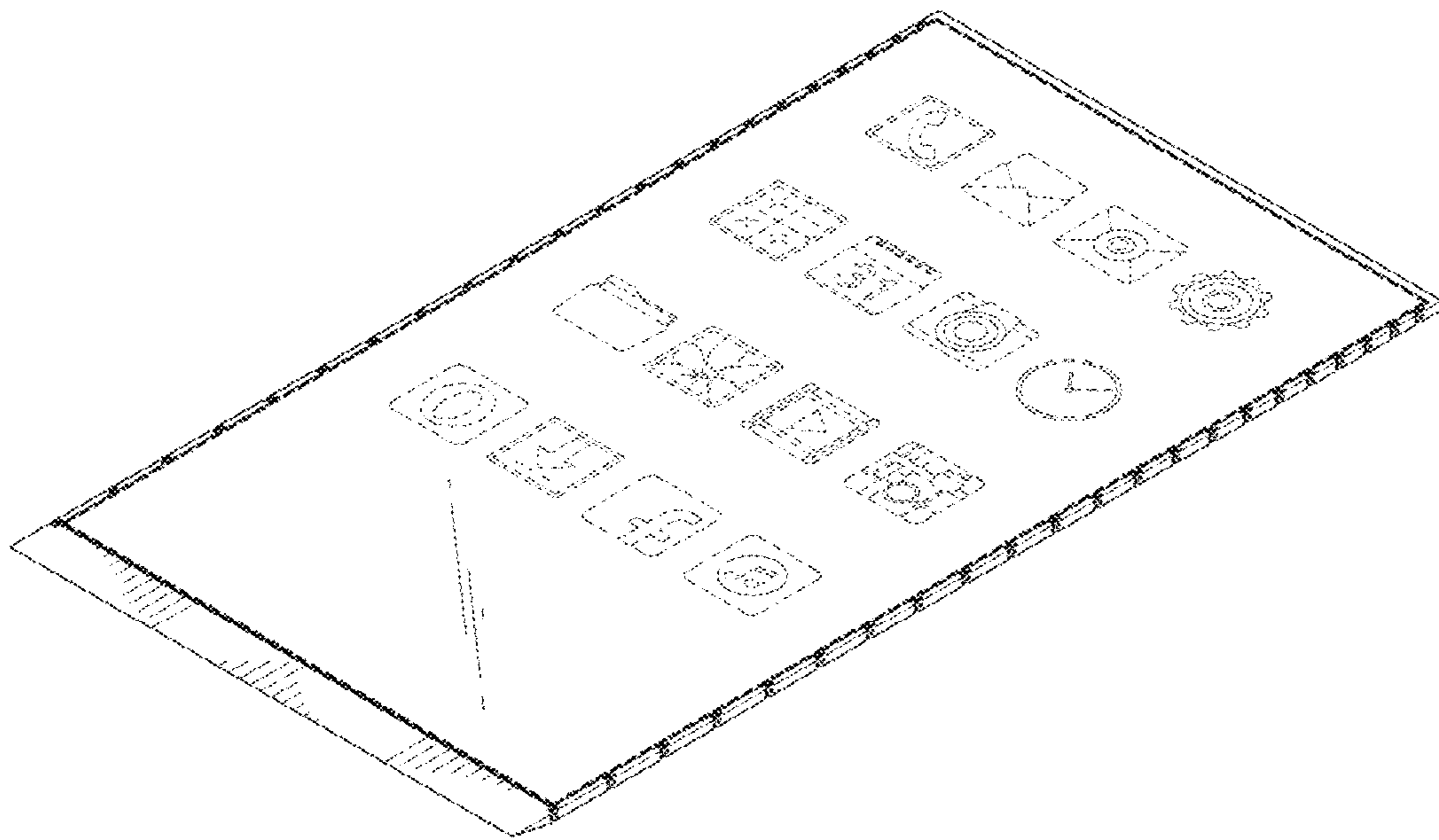


FIG. 14

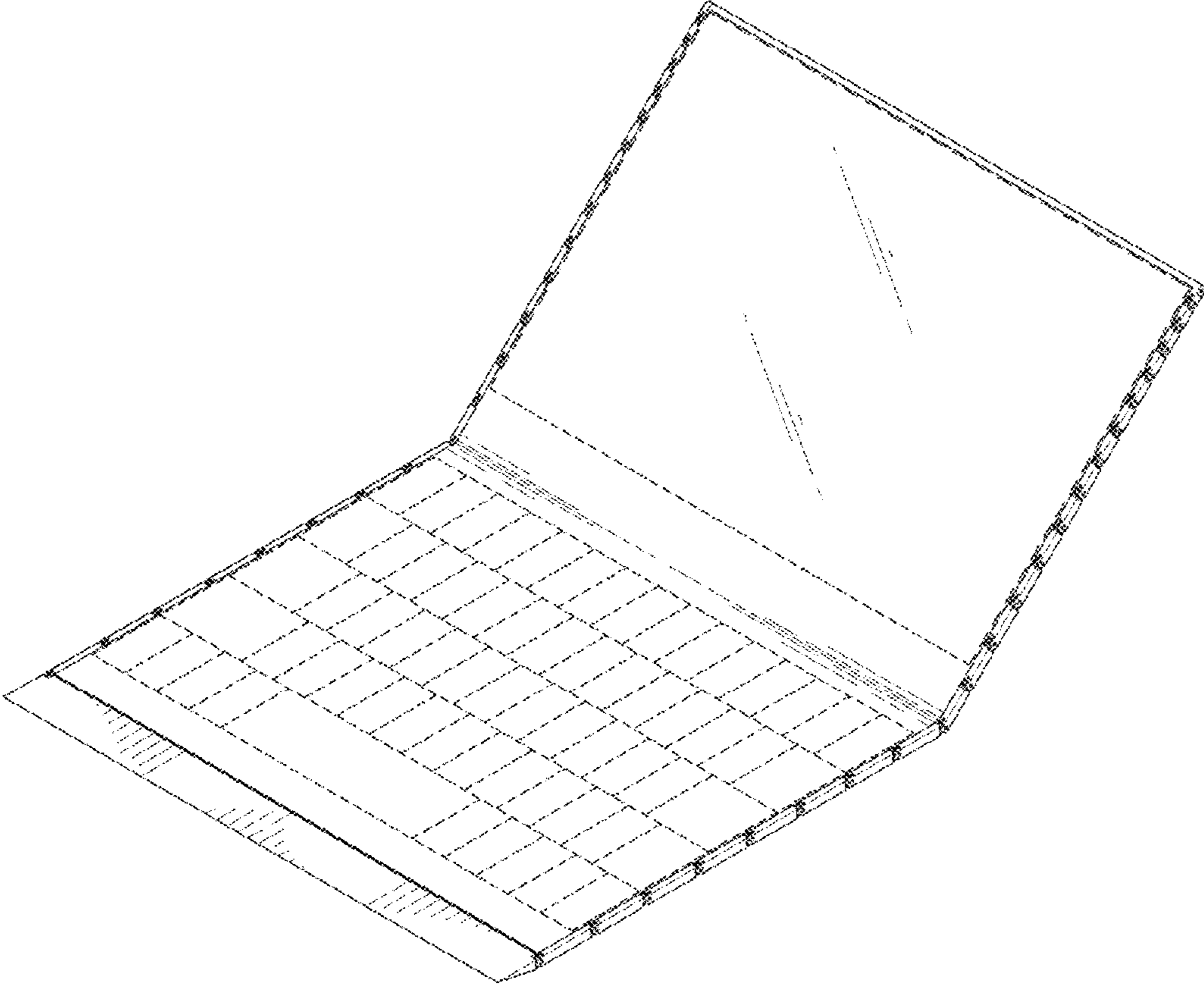


FIG. 15

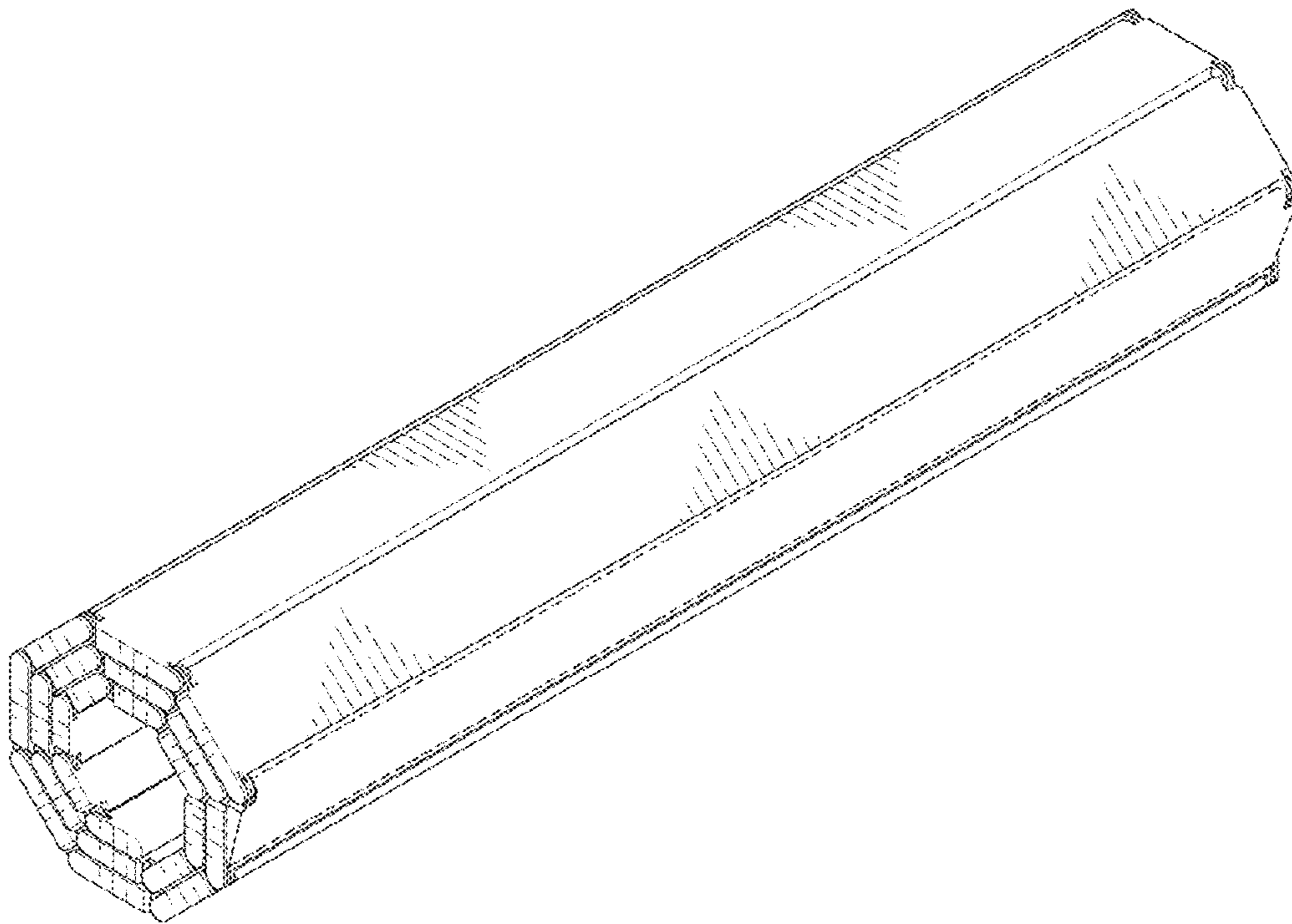


FIG. 16

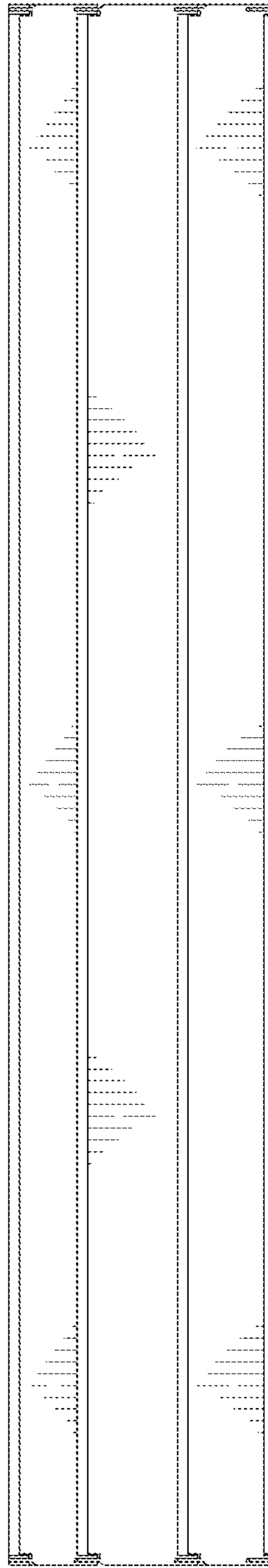


FIG. 17

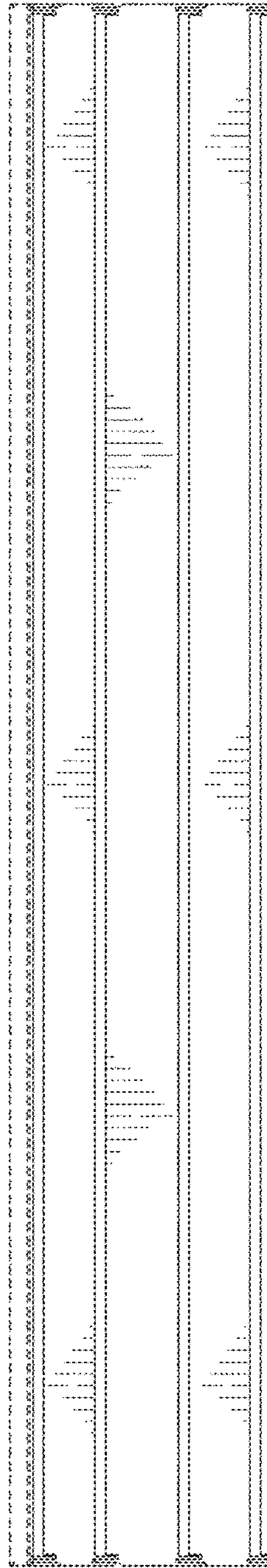


FIG. 18

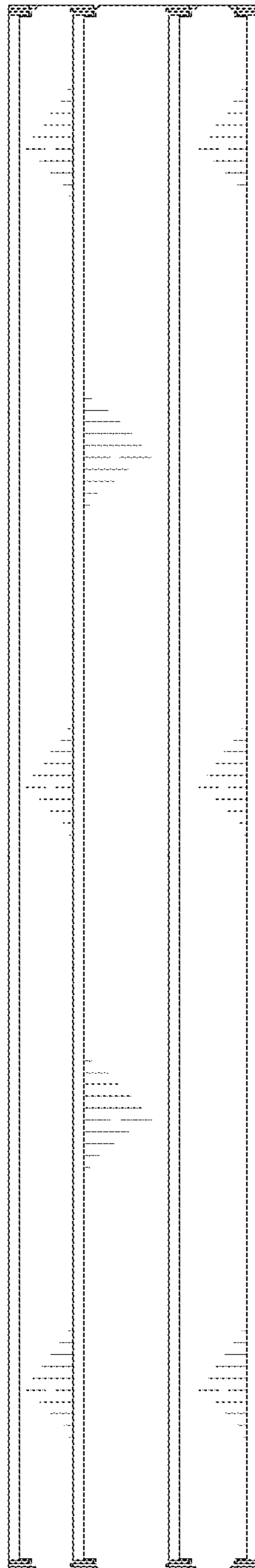


FIG. 19

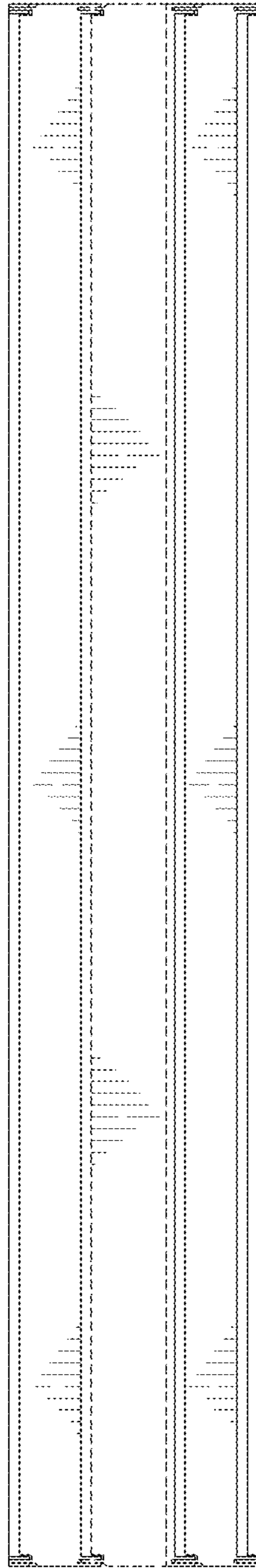


FIG. 20

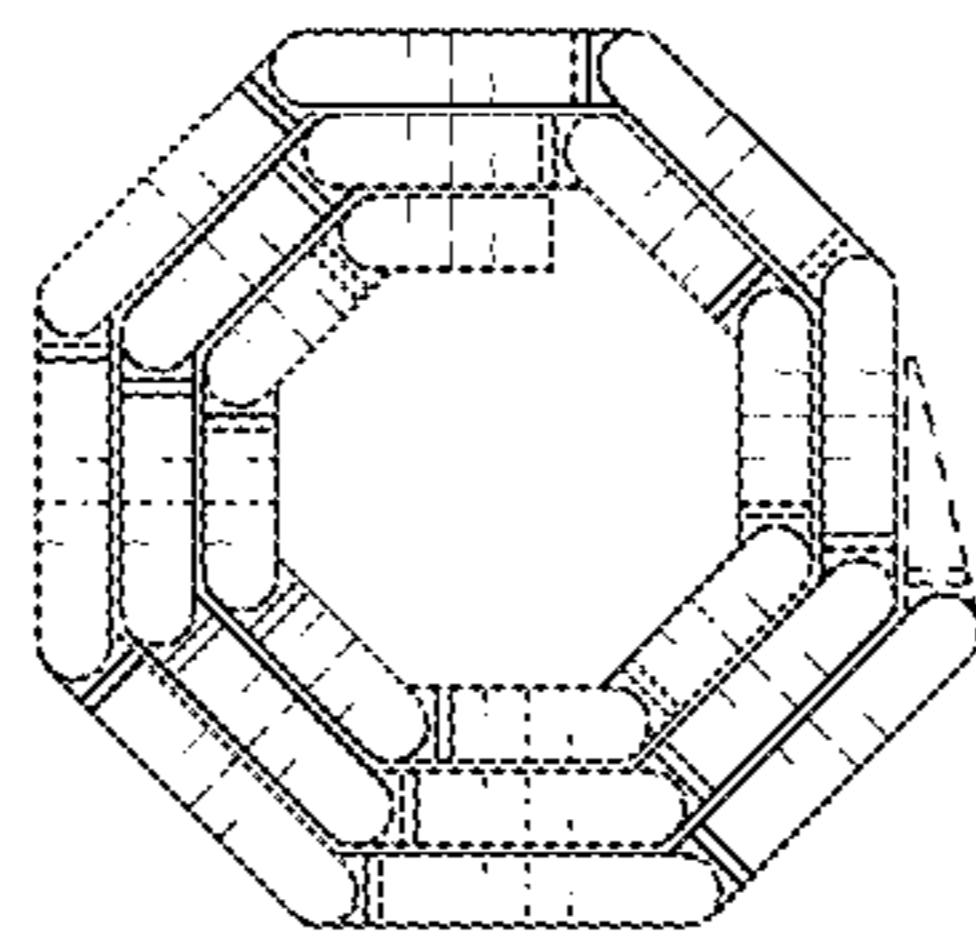


FIG. 21

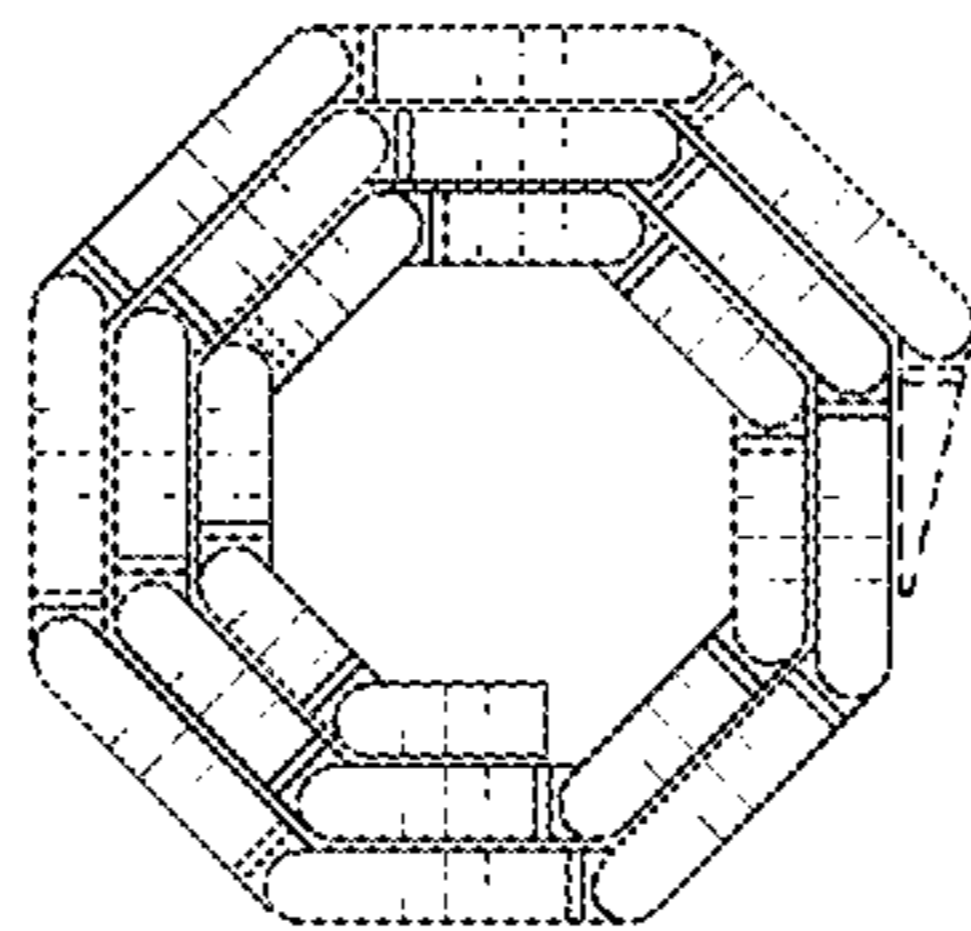


FIG. 22

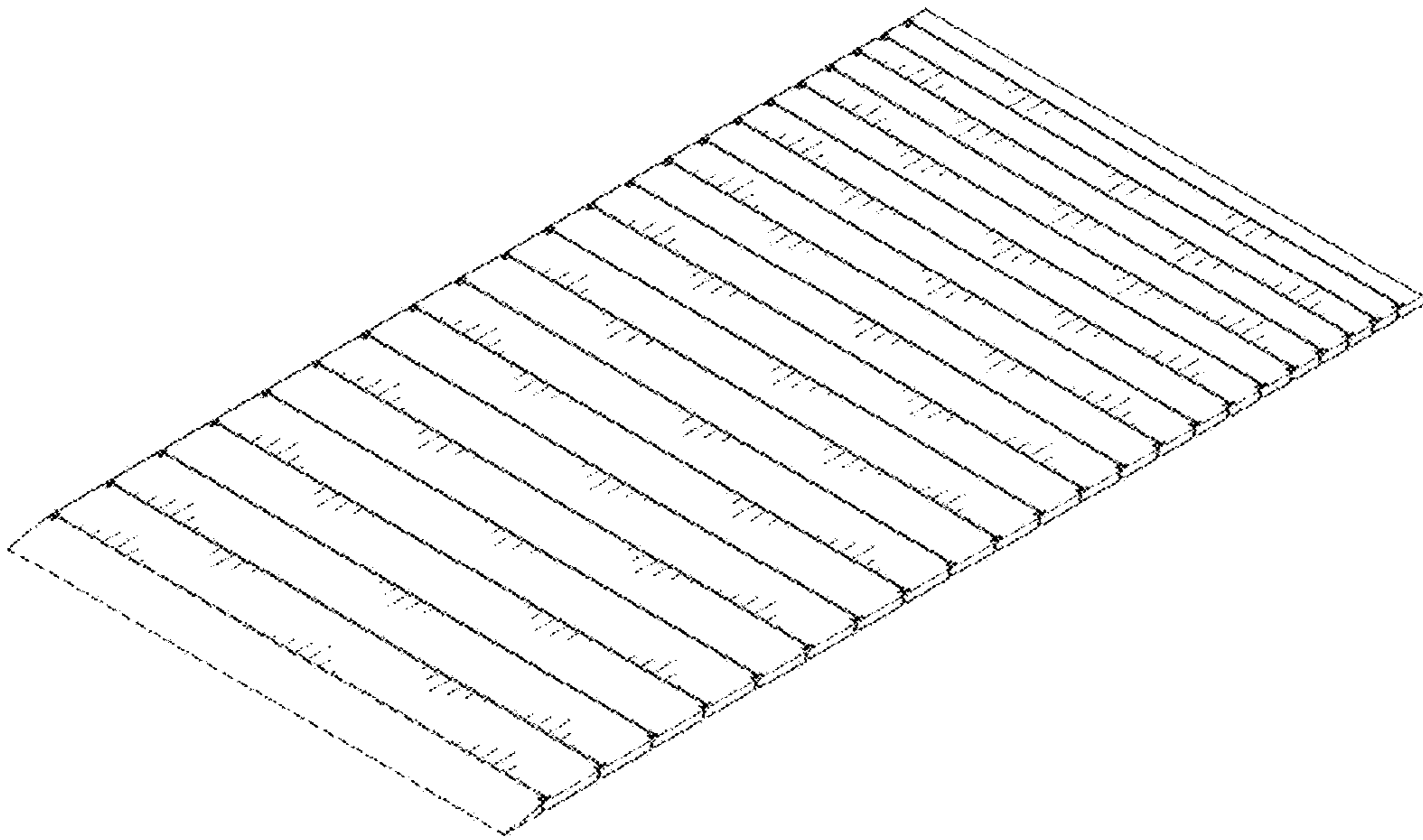


FIG. 23

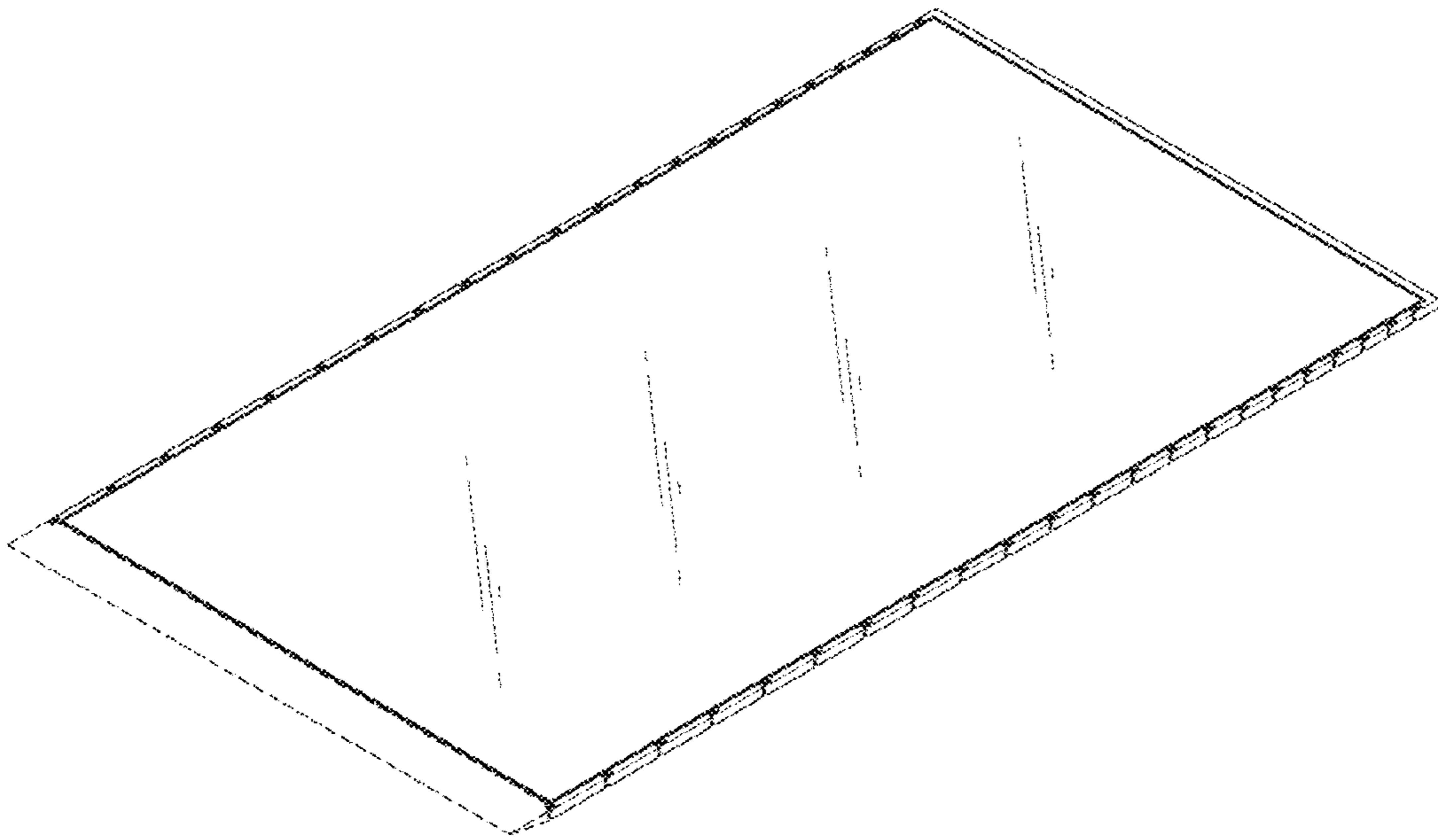


FIG. 24

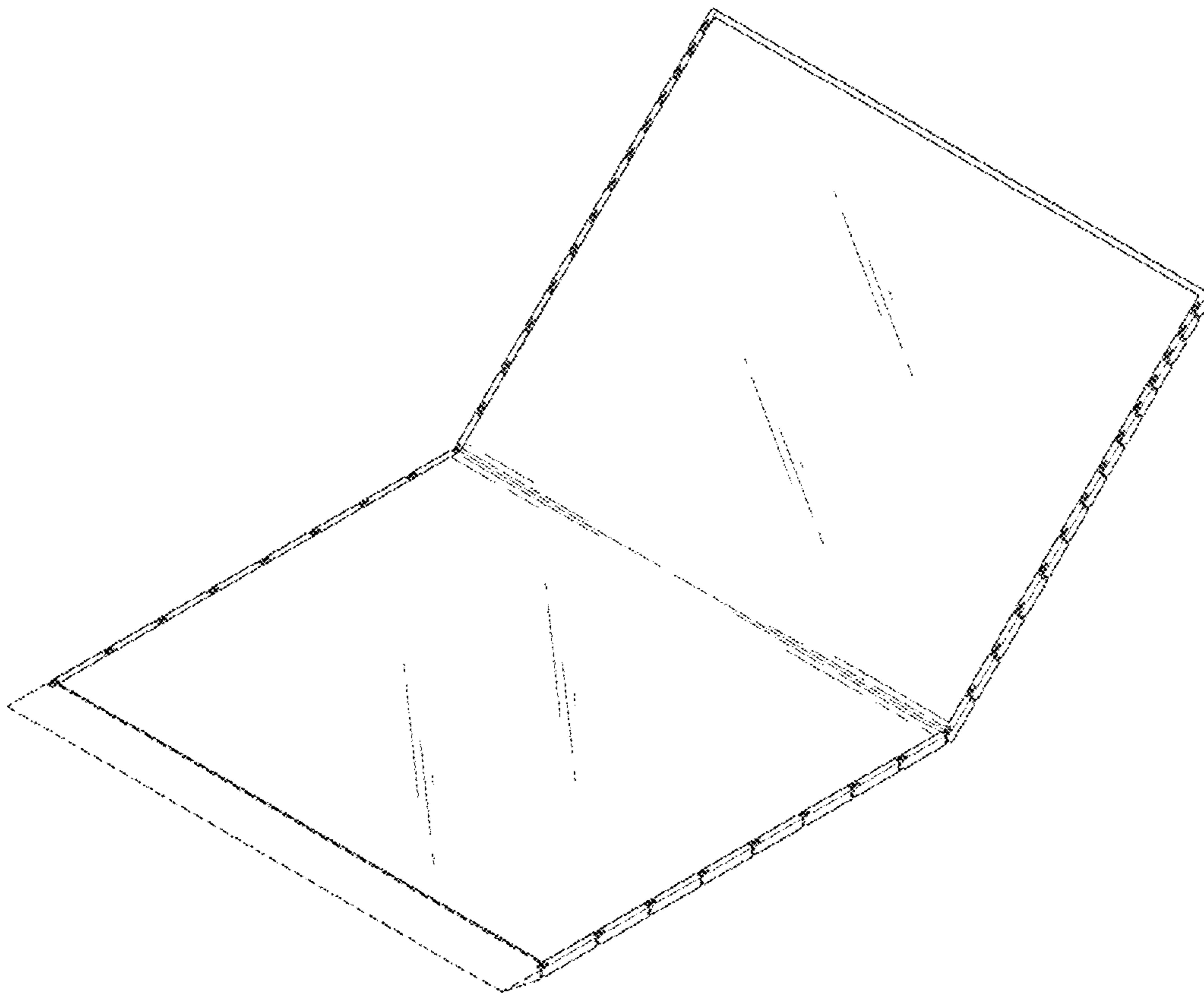


FIG. 25

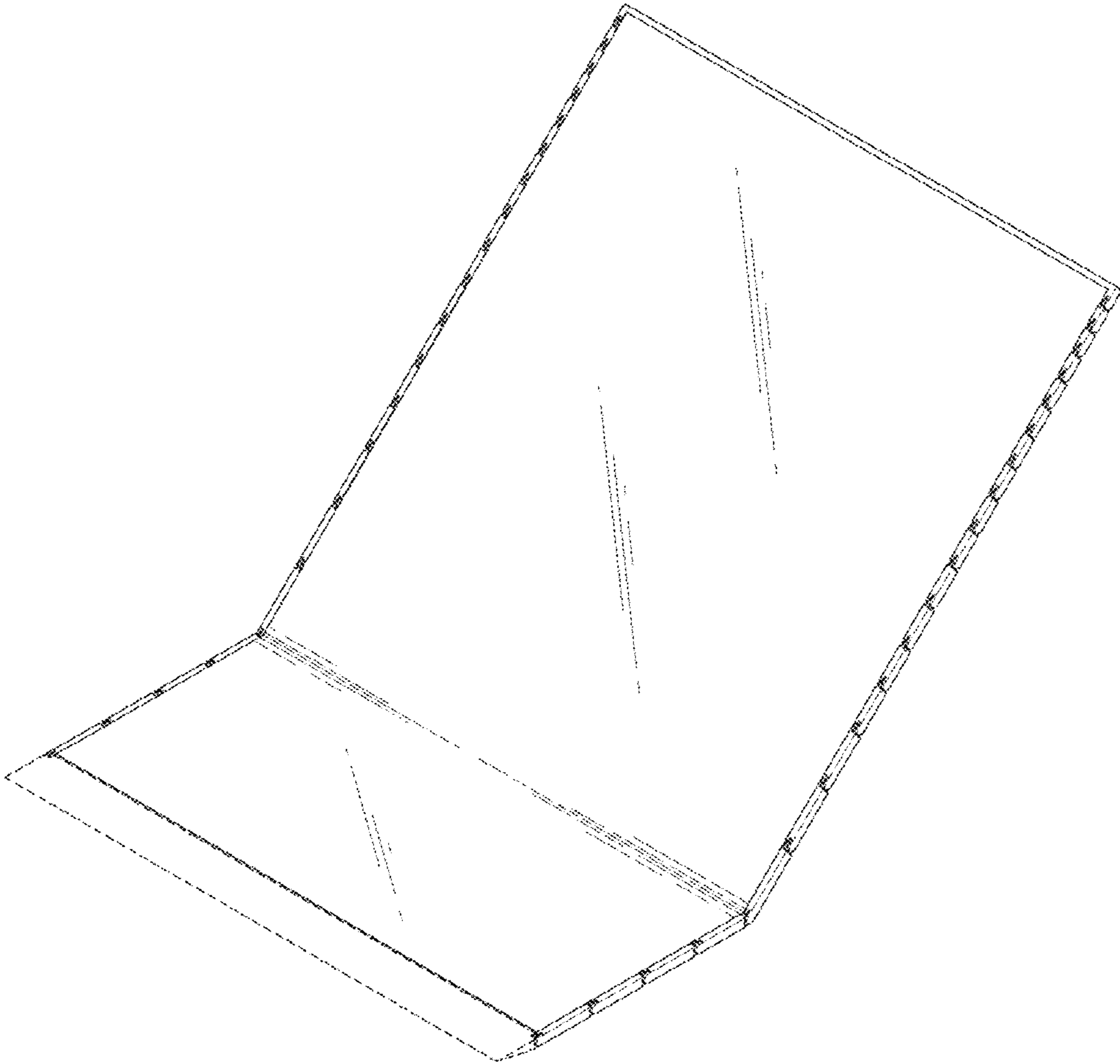


FIG. 26

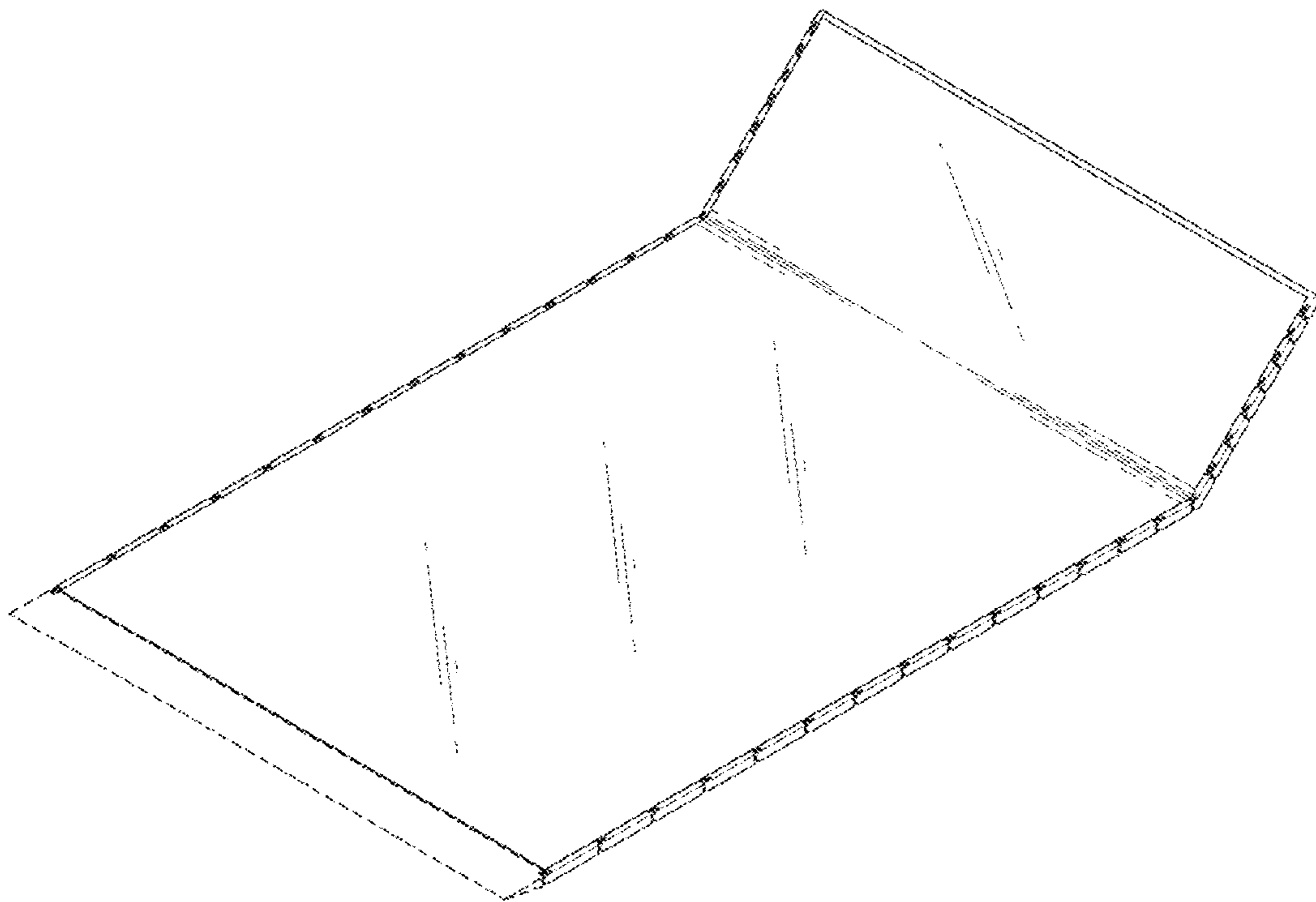


FIG. 28

