

US00D819018S

(12) **United States Design Patent**
Tsai et al.

(10) **Patent No.:** **US D819,018 S**
(45) **Date of Patent:** **** May 29, 2018**

(54) **ELECTRONIC DEVICE**

- (71) Applicant: **Intel Corporation**, Santa Clara, CA (US)
- (72) Inventors: **Simon Tsai**, Taoyuan (TW); **Oliver Tsui**, Taipei (TW); **Jeff Ku**, Taipei (TW); **Pei-yang Sung**, Taichung (TW)
- (73) Assignee: **Intel Corporation**, Santa Clara, CA (US)
- (**) Term: **15 Years**

(21) Appl. No.: **29/540,695**

(22) Filed: **Sep. 25, 2015**

(51) **LOC (11) Cl.** **14-02**

(52) **U.S. Cl.**
USPC **D14/341**

(58) **Field of Classification Search**
USPC D14/341–347, 137, 138 R, 138 AA, D14/138 AB, 138 C, 138 G, 496, 203.1, D14/203.3, 203.4, 203.7, 129, 130, 147, D14/218, 247, 248, 250, 385, 388, 389, D14/315–318, 420, 426, 435–438, 439, D14/440, 478–480; D21/324, 329, 330; D6/310
CPC . A63H 33/3016; G06F 1/1613; G06F 1/1647; G06F 1/1641; G06F 3/04883; G06F 3/0486; G06F 3/04847; G06F 3/04845; G06F 3/0484; G06F 3/0488; H04M 1/0279; H04M 1/0281; H04M 1/0283; H04M 1/0214
See application file for complete search history.

(56) **References Cited**

U.S. PATENT DOCUMENTS

- D255,745 S * 7/1980 Pedersen 40/746
- D479,860 S * 9/2003 Lim D14/217

(Continued)

OTHER PUBLICATIONS

Pwr+ Dell Venue-8-Pro Case for Kids, announced 2014 [online], [site visited May 9, 2017]. Available from Internet, URL: <https://www.amazon.com/DELL-VENUE-8-PRO-Case-Kids-Black/dp/B013COK93S/ref=br_lf_m_zk27ajk69zry4g7_ttl?_encoding=UTF8&s=office-products>.*

(Continued)

Primary Examiner — Barbara Fox
Assistant Examiner — Dana K Weiland
(74) *Attorney, Agent, or Firm* — Patent Capital Group

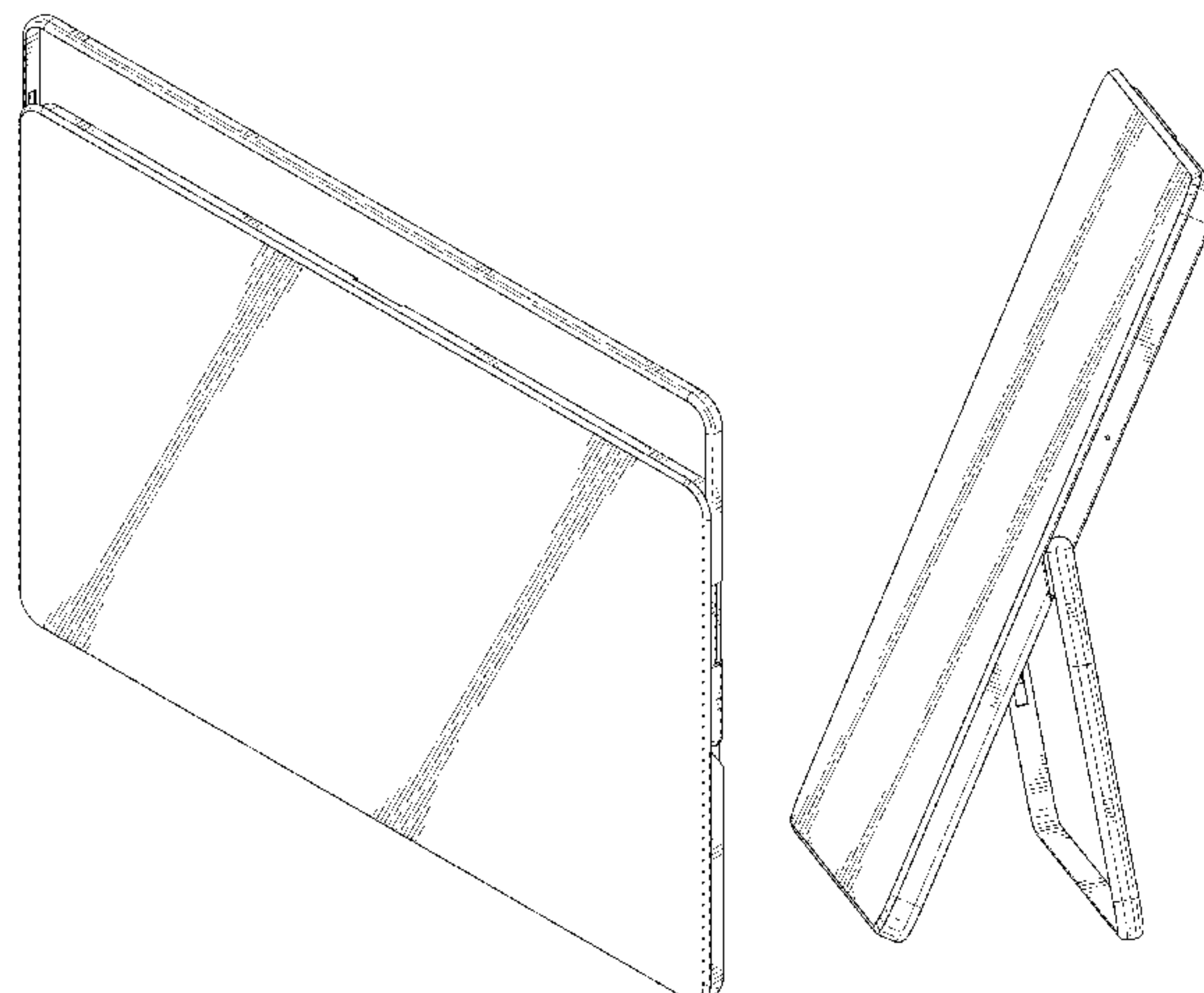
(57) **CLAIM**

The ornamental design for an electronic device, as shown and described.

DESCRIPTION

FIG. 1 is a front perspective view of an electronic device showing the new design, with the kickstand in an extended position;
FIG. 2 is a back perspective view thereof;
FIG. 3 is a front view thereof;
FIG. 4 is a back view thereof;
FIG. 5 is a left side view thereof;
FIG. 6 is a right side view thereof;
FIG. 7 is a top view thereof;
FIG. 8 is a bottom view thereof;
FIG. 9 is a front perspective view thereof with the kickstand in an extended and rotated position;
FIG. 10 is a right side perspective view thereof with the kickstand in an alternate extended and rotated position;
FIG. 11 is a back perspective view thereof with the kickstand in a third alternate extended and rotated position;
FIG. 12 is a front perspective front view thereof with the kickstand in a contracted position; and,
FIG. 13 is a back perspective back view thereof.

(Continued)



The broken lines shown in the drawings depict portions of the electronic device that form no part of the claimed design. Non-oblique line shading is meant to show contour and not surface ornamentation.

1 Claim, 11 Drawing Sheets

(56)

References Cited

U.S. PATENT DOCUMENTS

7,042,712 B2 * 5/2006 Ghosh G06F 1/1605
206/320
D576,618 S * 9/2008 Wong D14/341
D606,071 S * 12/2009 Wu D14/336
D611,467 S * 3/2010 Gou D14/315
D639,267 S * 6/2011 DeLorenzo D14/130
8,400,767 B2 * 3/2013 Yeom F16M 11/10
248/917
D681,645 S * 5/2013 Meadows D14/447
D684,981 S * 6/2013 Chang D14/451
D689,056 S * 9/2013 Li D14/440
D691,144 S * 10/2013 Peters D14/440
D695,735 S * 12/2013 Kitchen D14/341
D703,667 S * 4/2014 Song D14/345
D705,785 S * 5/2014 Wang D14/447
D708,837 S * 7/2014 Lee D14/440
D727,917 S * 4/2015 Yeo D14/440
D728,560 S * 5/2015 Seoc D14/341
D733,126 S * 6/2015 Sung D14/341
D735,188 S * 7/2015 Oh D14/341

D737,270 S * 8/2015 Young D14/341
D740,804 S * 10/2015 Hovdal D14/341
D747,311 S * 1/2016 Seoc D14/341
D748,092 S * 1/2016 Fujimoto D14/341
D749,070 S * 2/2016 Oh D14/341
D778,903 S * 2/2017 Tsai D14/341
D780,174 S * 2/2017 Park D14/341
D782,471 S * 3/2017 Nuk D14/341
D782,473 S * 3/2017 Hong D14/341
D784,350 S * 4/2017 Li D14/440
D784,980 S * 4/2017 Lin D14/341
2005/0007514 A1 * 1/2005 Faris B82Y 15/00
349/58
2006/0050471 A1 * 3/2006 Chen G06F 1/1601
361/679.22
2015/0296068 A1 * 10/2015 Chin G06F 1/1628
455/575.8
2016/0161993 A1 * 6/2016 Zhang G06F 1/1681
361/679.09

OTHER PUBLICATIONS

LynkTec Grip and Go 360 Degree Rotating Kickstand for Tablet, announced Apr. 25, 2015 [online], [site visited May 9, 2017]. Available from Internet, URL: <<https://www.amazon.co.uk/LynkTec-Degree-Rotating-Kickstand-Tablet-x/dp/B00VRA1D76>>.*
HP Envy Rove 20: Anyone Need a Huge Windows 8 Tablet?, announced May 24, 2013 [online], [site visited May 9, 2017]. Available from Internet, URL: <<https://www.technobuffalo.com/2013/05/24/hp-announces-monster-tablet-hp-envy-rove-20/>>.*

* cited by examiner

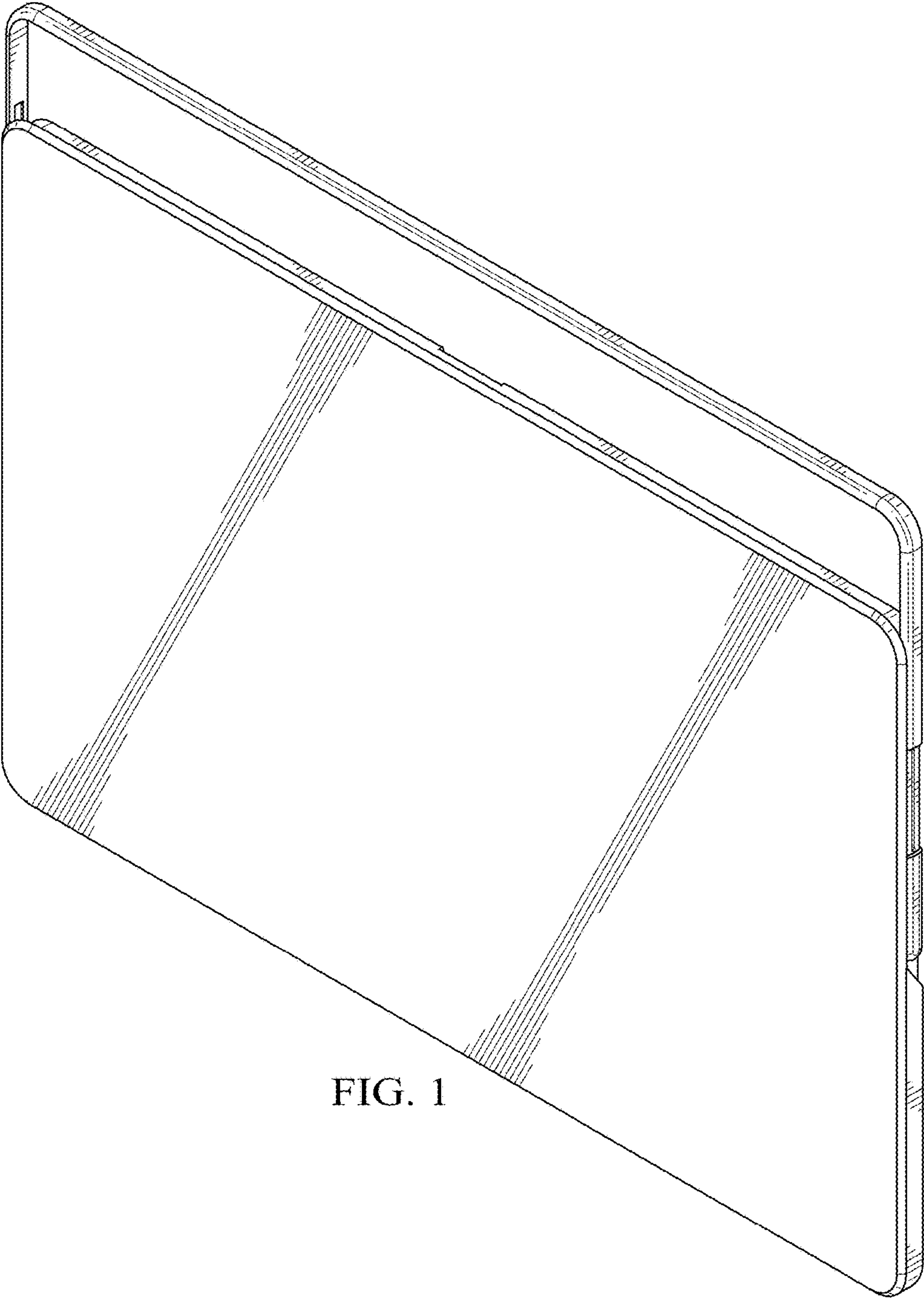


FIG. 1

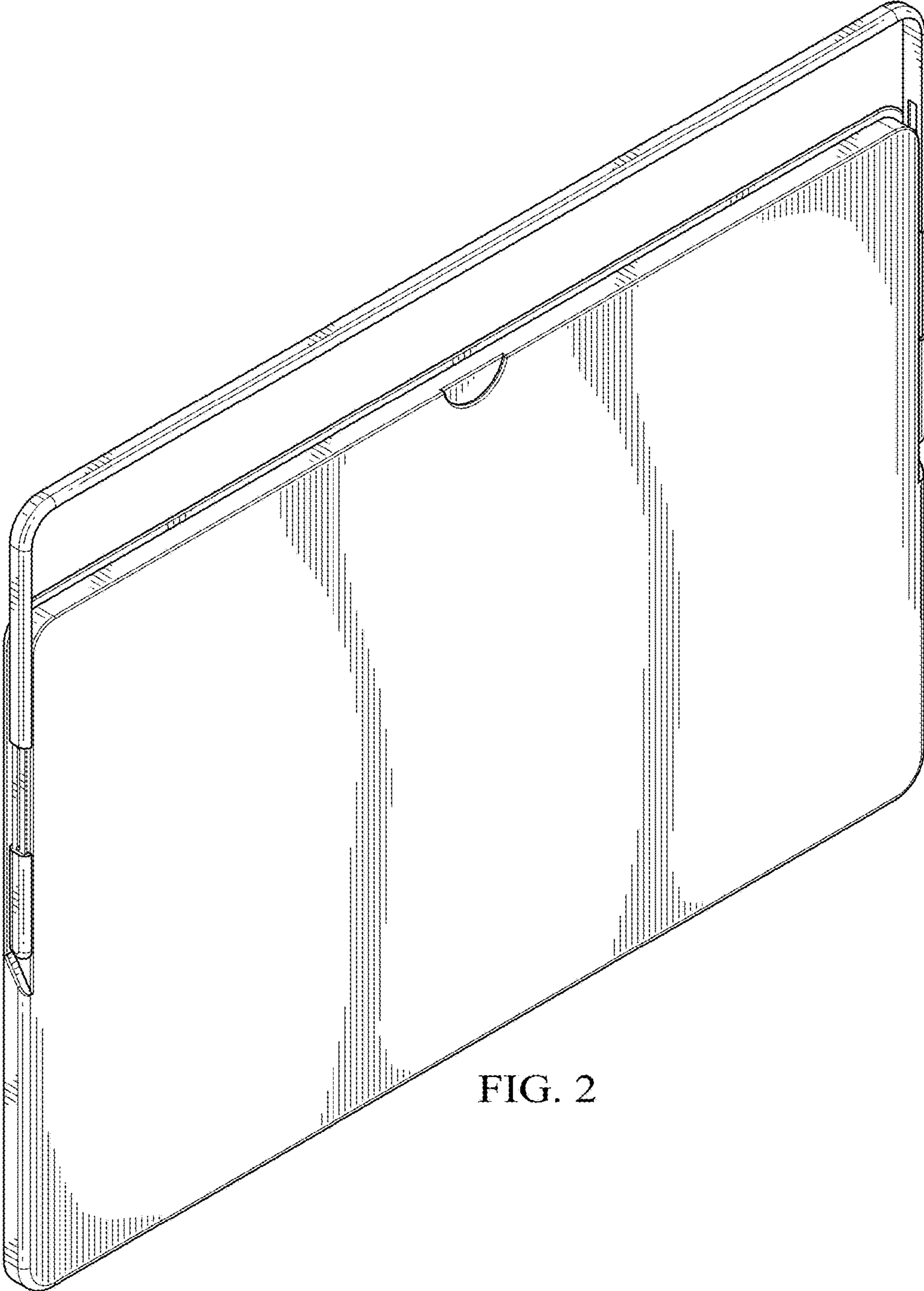


FIG. 2

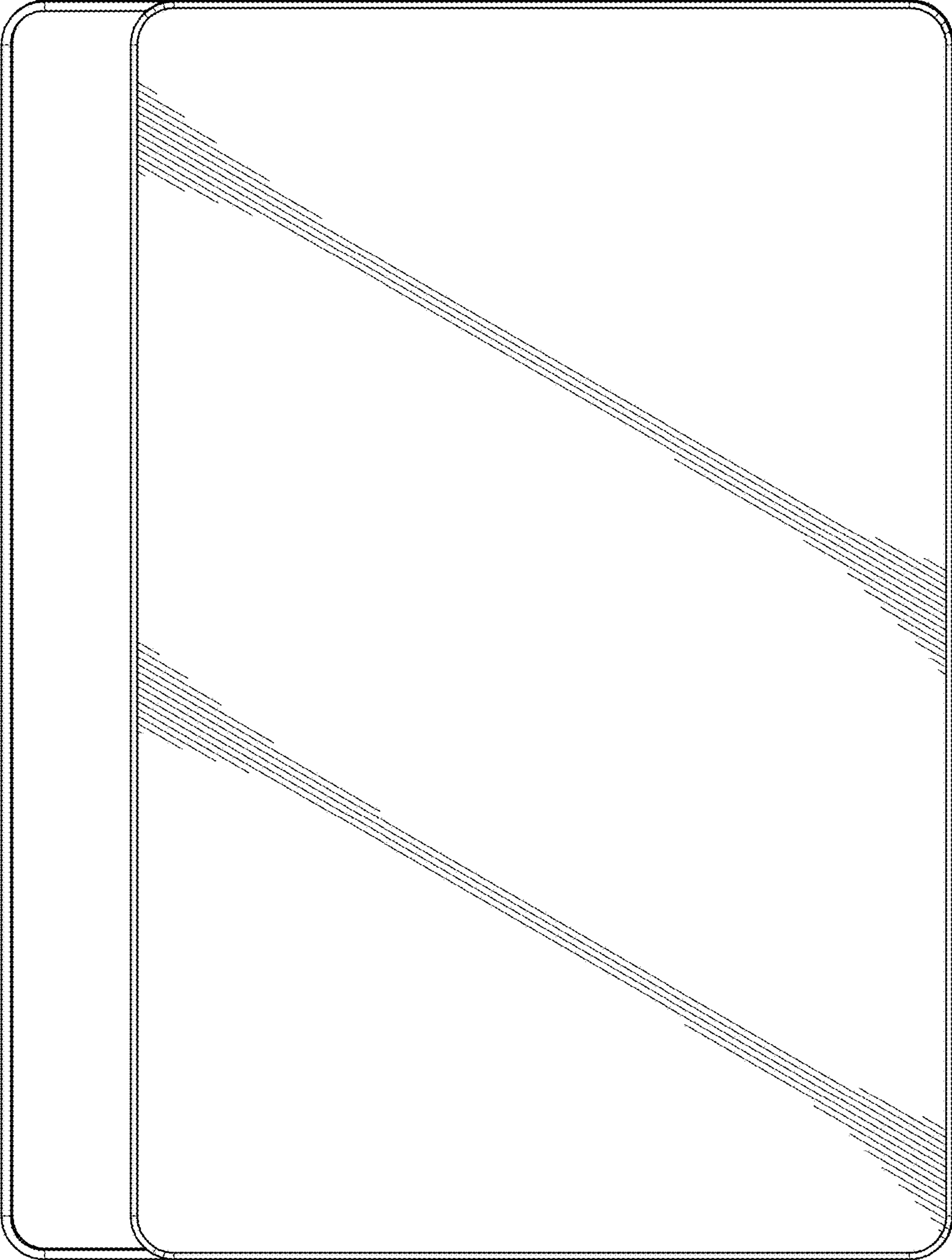


FIG. 3

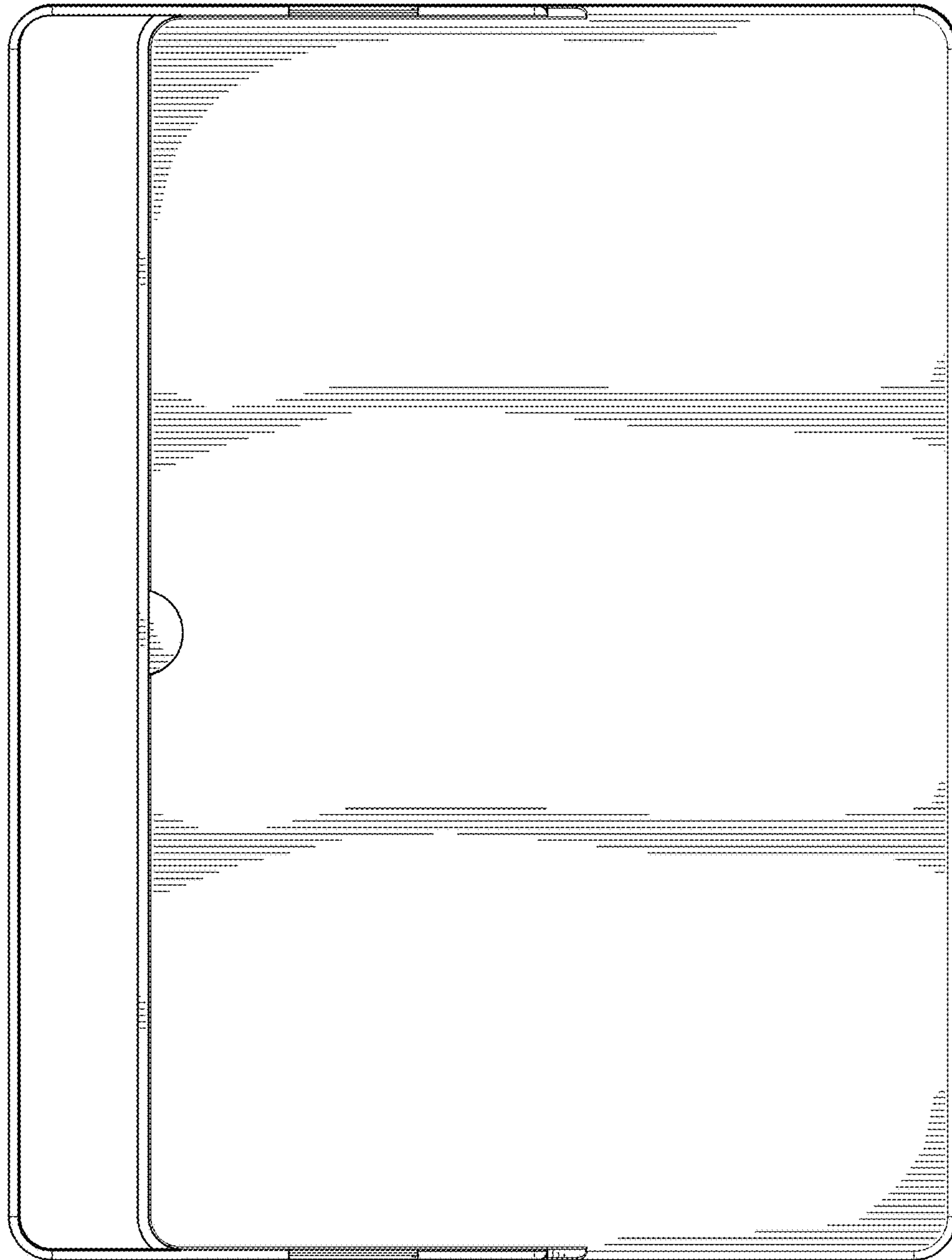


FIG. 4

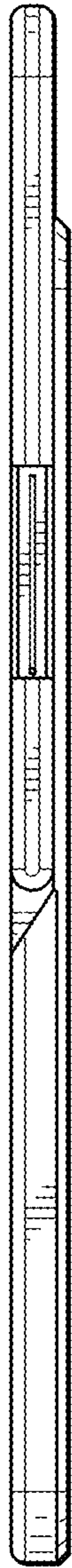


FIG. 5

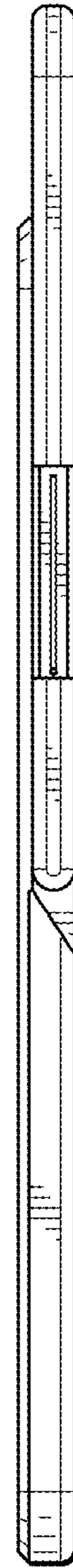


FIG. 6



FIG. 7

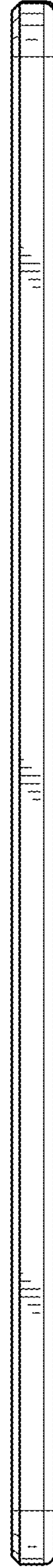


FIG. 8

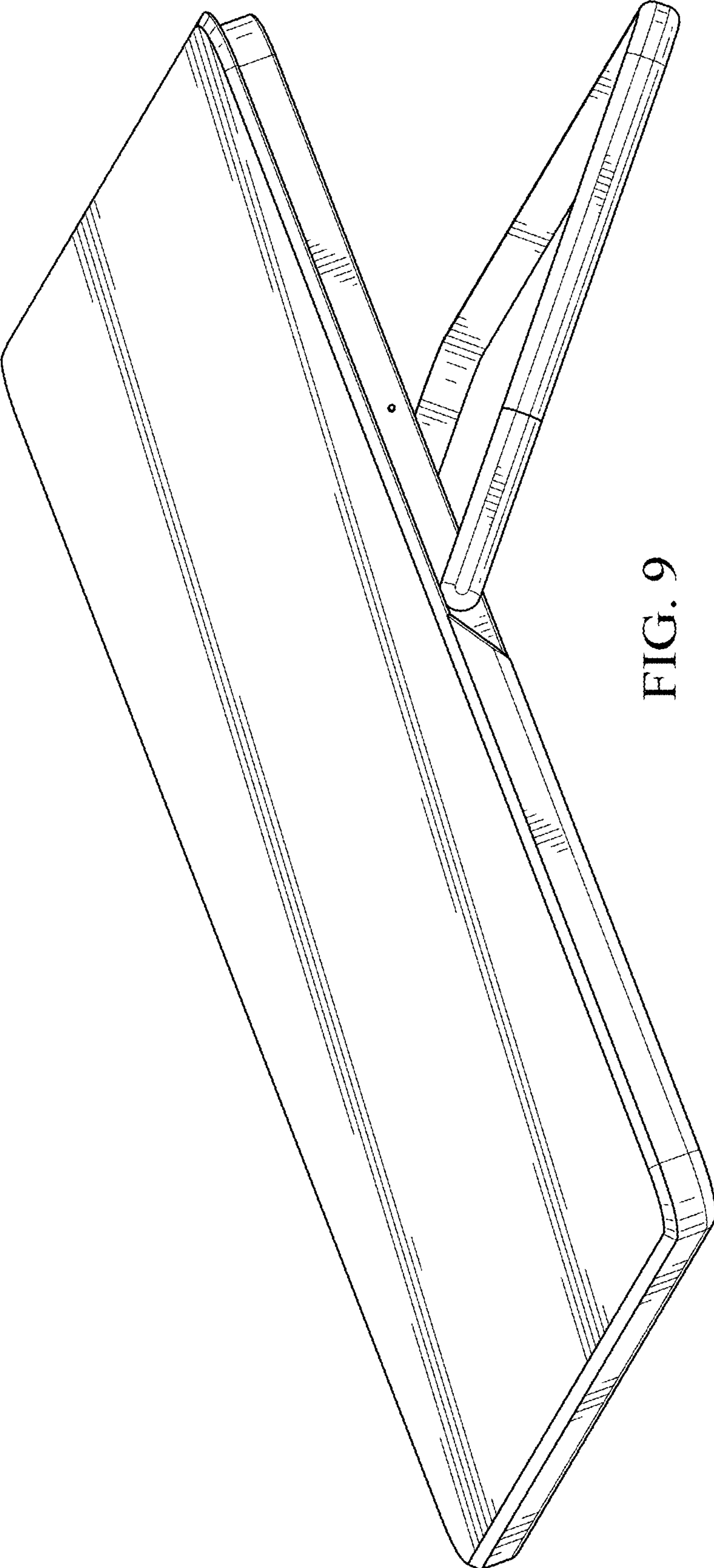


FIG. 9

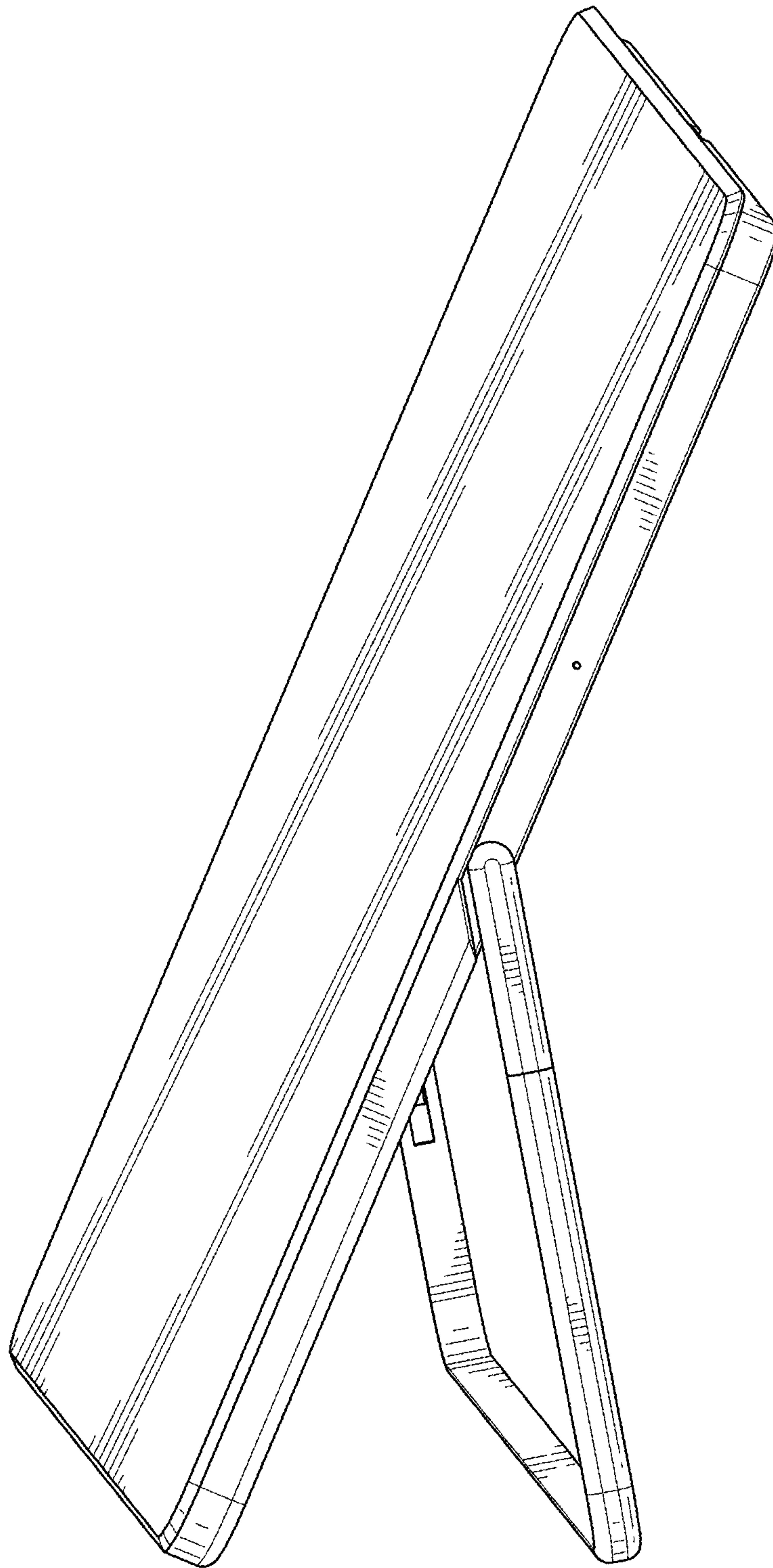


FIG. 10

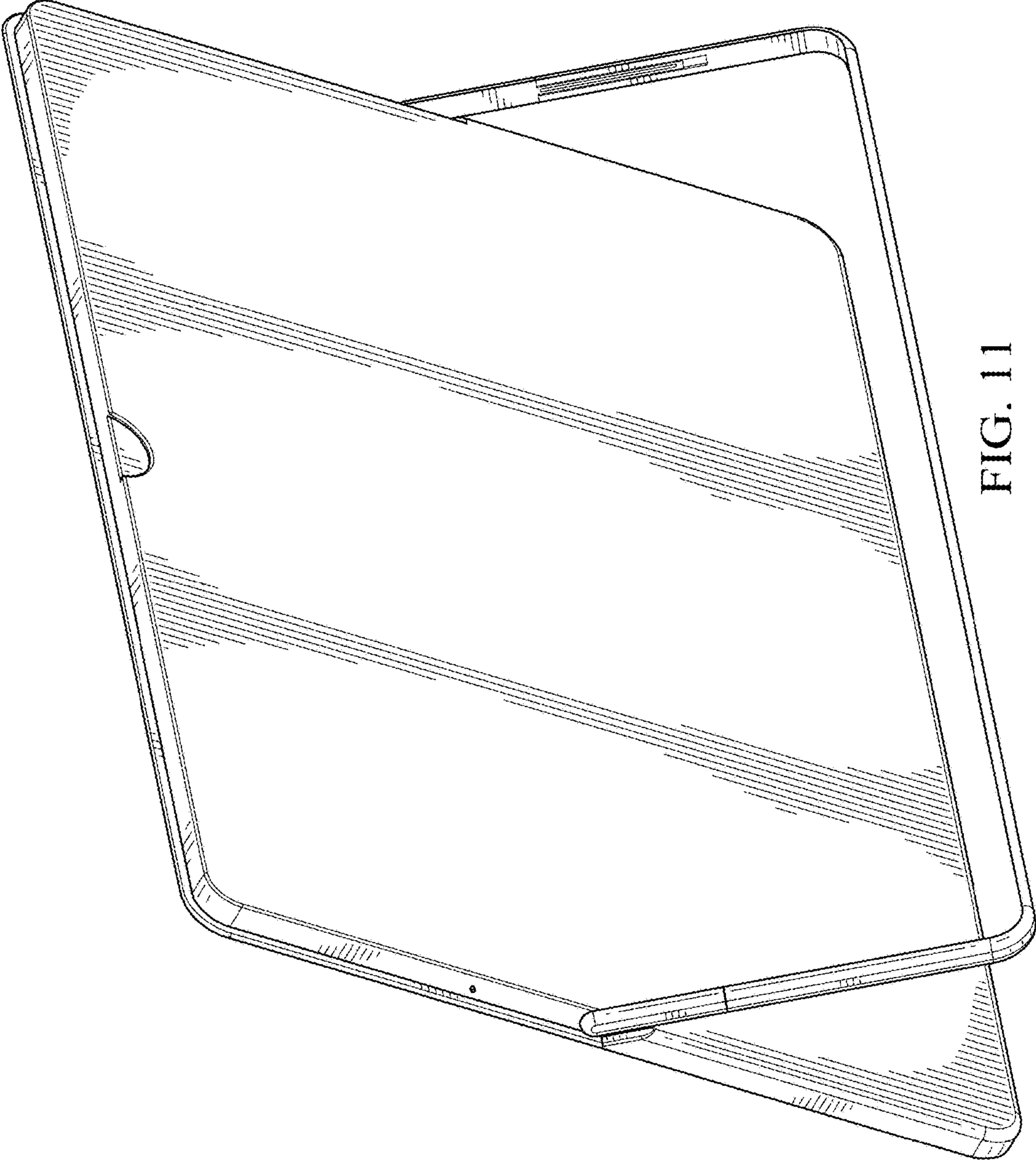


FIG. 11

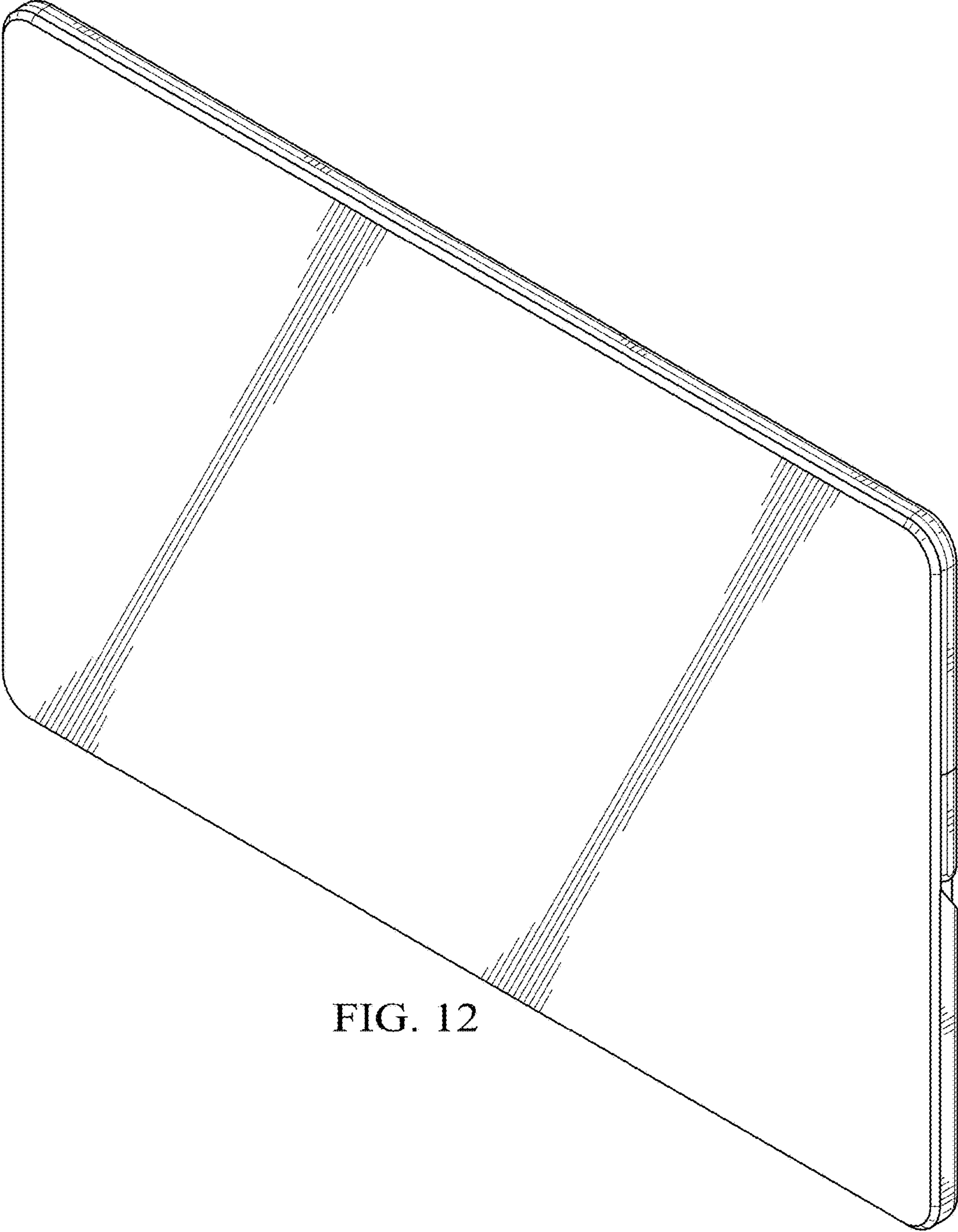


FIG. 12

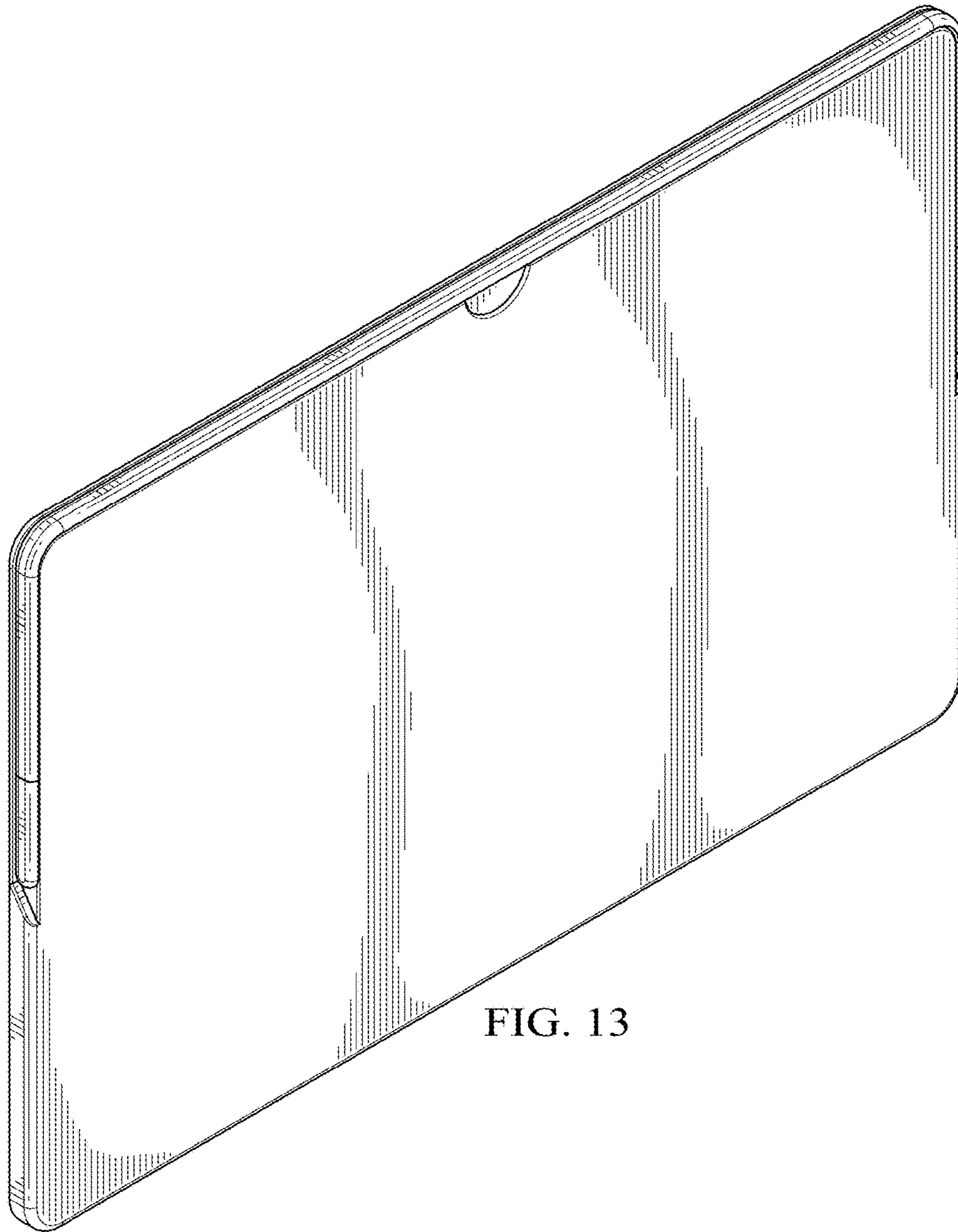


FIG. 13

UNITED STATES PATENT AND TRADEMARK OFFICE
CERTIFICATE OF CORRECTION

PATENT NO. : D819,018 S
APPLICATION NO. : 29/540695
DATED : May 29, 2018
INVENTOR(S) : Simon Tsai et al.

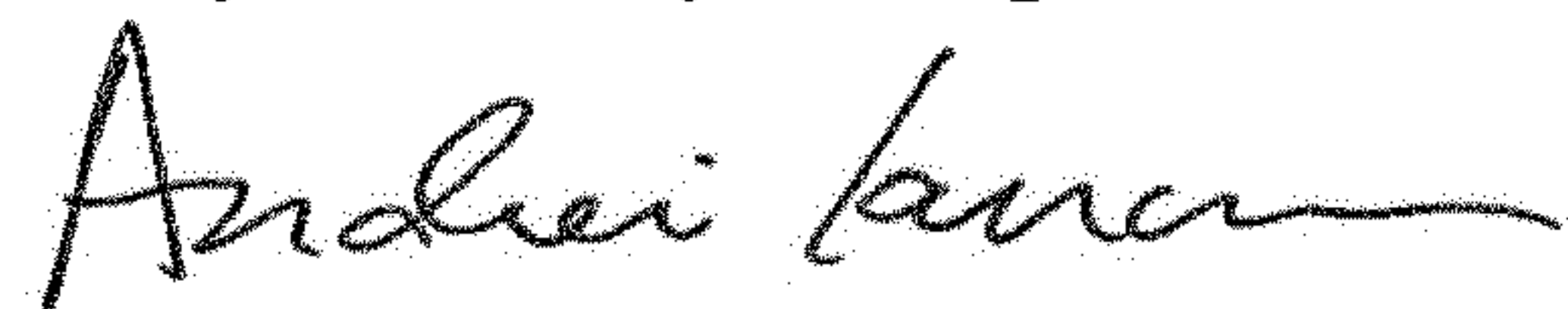
Page 1 of 1

It is certified that error appears in the above-identified patent and that said Letters Patent is hereby corrected as shown below:

On the Title Page

In Column 2, in "Description", Line 8, after "side" insert -- view --.

Signed and Sealed this
Twenty-fifth Day of September, 2018



Andrei Iancu
Director of the United States Patent and Trademark Office