



US00D819008S

(12) **United States Design Patent** (10) **Patent No.:** **US D819,008 S**
Satzger et al. (45) **Date of Patent:** **** May 29, 2018**

(54) **MOBILE DEVICE CASE**

- (71) Applicant: **Intel Corporation**, Santa Clara, CA (US)
- (72) Inventors: **Douglas Satzger**, Menlo Park, CA (US); **Markus Diebel**, San Francisco, CA (US); **Erik Eisermann Guerra**, San Francisco, CA (US); **Joe Tan**, San Francisco, CA (US)
- (73) Assignee: **Intel Corporation**, Santa Clara, CA (US)

(**) Term: **15 Years**

(21) Appl. No.: **29/569,690**

(22) Filed: **Jun. 29, 2016**

(51) **LOC (11) Cl.** **14-03**

(52) **U.S. Cl.**
USPC **D14/250**

(58) **Field of Classification Search**
USPC D14/250; 455/575.8
CPC A45C 11/00; A45C 2011/002
See application file for complete search history.

(56) **References Cited**

U.S. PATENT DOCUMENTS

D502,949 S	*	3/2005	Chang	D14/444
D638,830 S	*	5/2011	Magness	D14/250
D673,159 S	*	12/2012	McCarthy	D14/440
D706,256 S	*	6/2014	Ward	D14/250
D711,866 S	*	8/2014	Kawata	D14/250
D718,294 S	*	11/2014	Barfoot	D14/250
D718,756 S	*	12/2014	Barfoot	D14/250
D719,145 S	*	12/2014	Barfoot	D14/250
D728,548 S	*	5/2015	Keung	D14/250
D743,388 S	*	11/2015	Fitzpatrick	D14/250
D745,505 S	*	12/2015	Barfoot	D14/250
D745,506 S	*	12/2015	Barfoot	D14/250
D780,738 S	*	3/2017	Barfoot	D14/250
D780,742 S	*	3/2017	Guerdrum	D14/250

OTHER PUBLICATIONS

Fintie Kiddie Case, posted at amazon.com, posting date not given, [online], [site visited Aug. 31, 2017]. Available from Internet, URL: https://www.amazon.com/dp/B00C1B9ENA/ref=twister_B01E9TID1K.*

Fit-n-Grip Universal Case, posted at targus.com, posting date not given, [online], [site visited Aug. 31, 2017]. Available from Internet, URL: <http://www.targus.com/us/78fitngripuniversalcasegrey>.*

OtterBox Pursuit 40 Waterproof Case, posted at a4c.com, posting date not given, [online], [site visited Aug. 31, 2017]. Available from Internet, URL: <https://www.a4c.com/product/otterboxpursuit40waterproofuniversalcasequestblack.html>.*

* cited by examiner

Primary Examiner — George D. Kirschbaum

Assistant Examiner — Maria J Edwards

(74) *Attorney, Agent, or Firm* — Schwegman Lundberg & Woessner, P.A.

(57) **CLAIM**

The ornamental design for a mobile device case, as shown and described.

DESCRIPTION

FIG. 1 is a top, front-right perspective view of the mobile device case;

FIG. 2 is a bottom, rear-left perspective view thereof;

FIG. 3 is a rear elevation view thereof;

FIG. 4 is a front elevation view thereof;

FIG. 5 is a top plan view thereof;

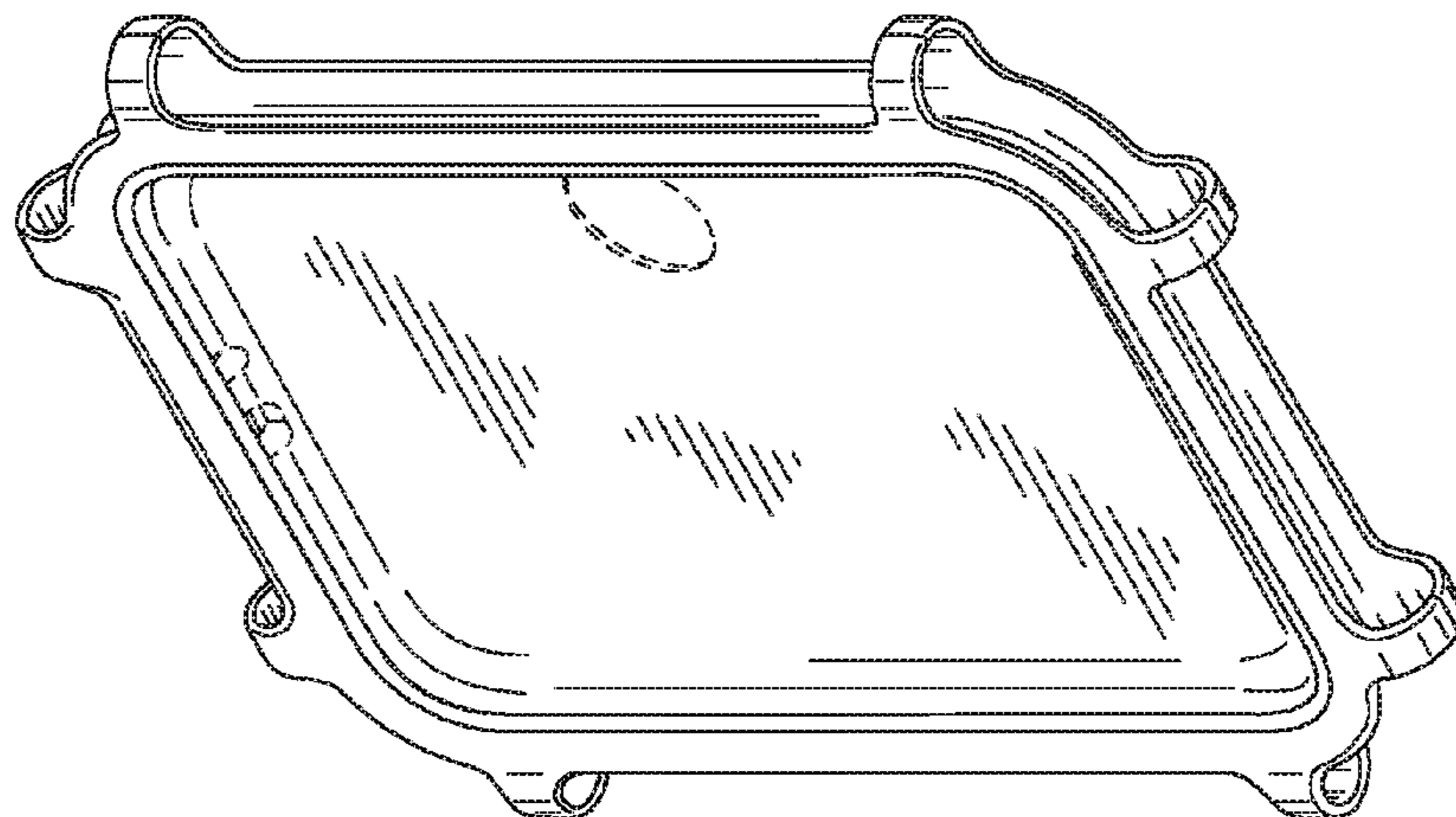
FIG. 6 is a bottom plan view thereof;

FIG. 7 is a left side elevation view thereof; and,

FIG. 8 is a right side elevation view thereof.

Broken lines in the drawings illustrate portions of the article and form no part of the claimed design.

1 Claim, 5 Drawing Sheets



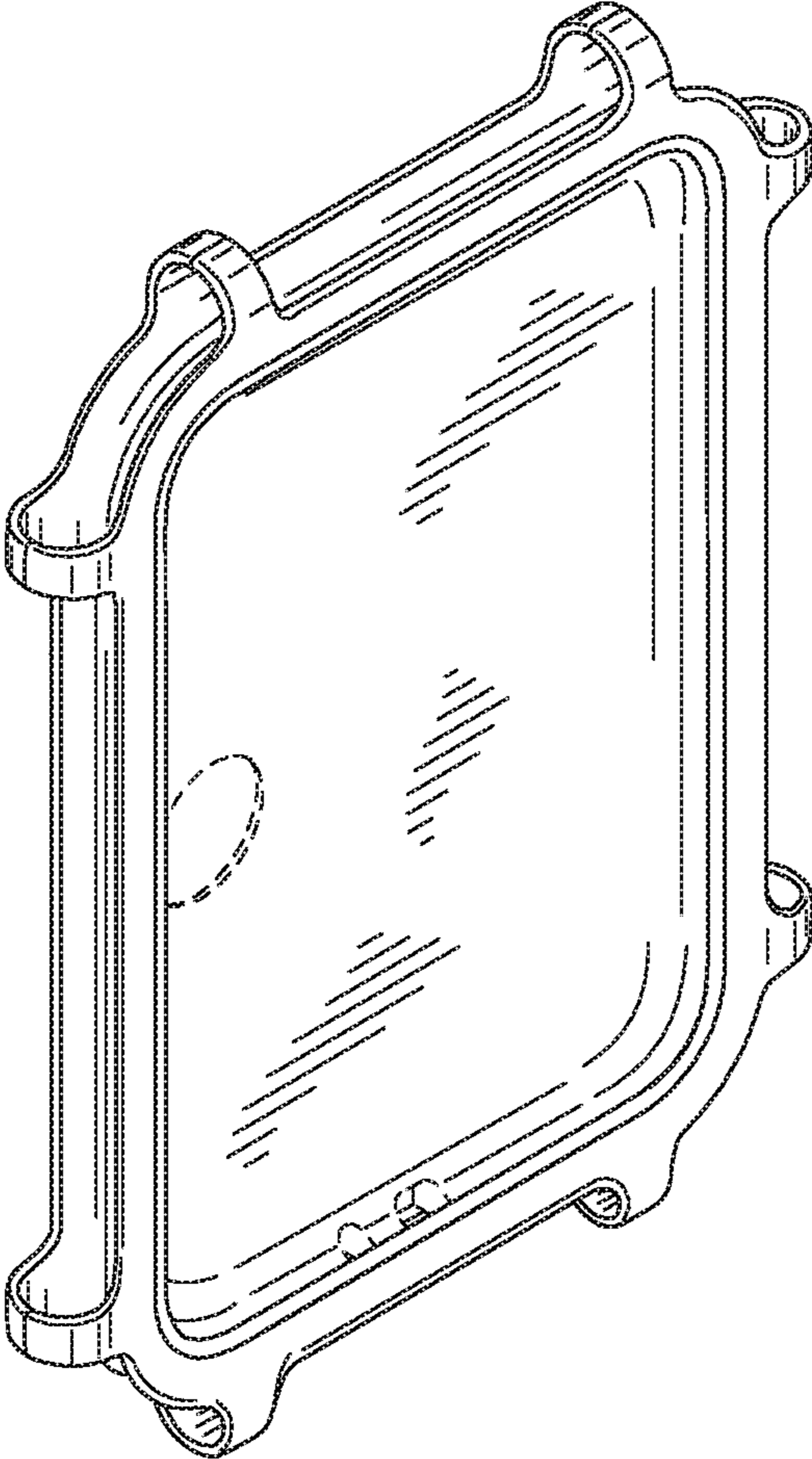


FIG. 1

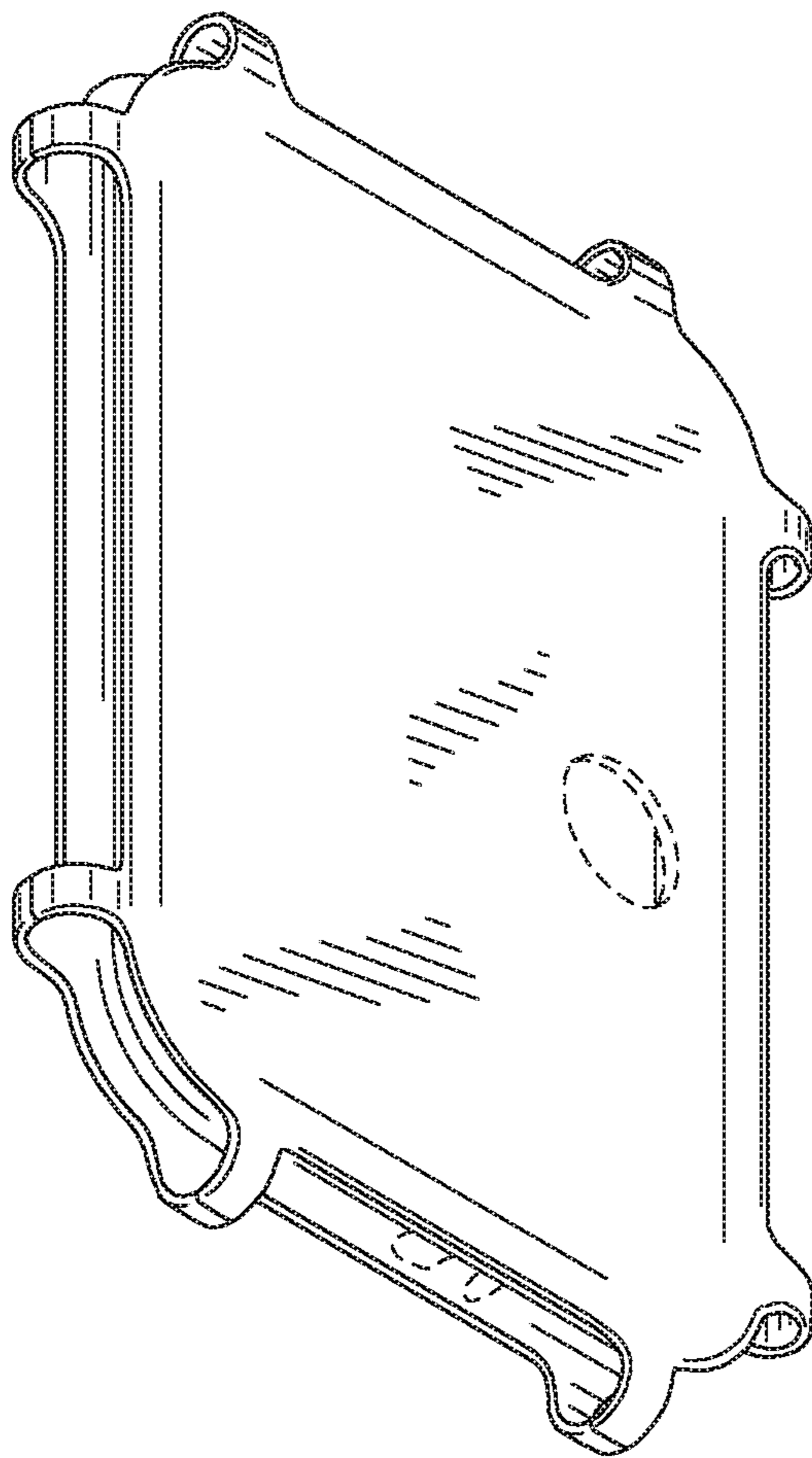


FIG. 2

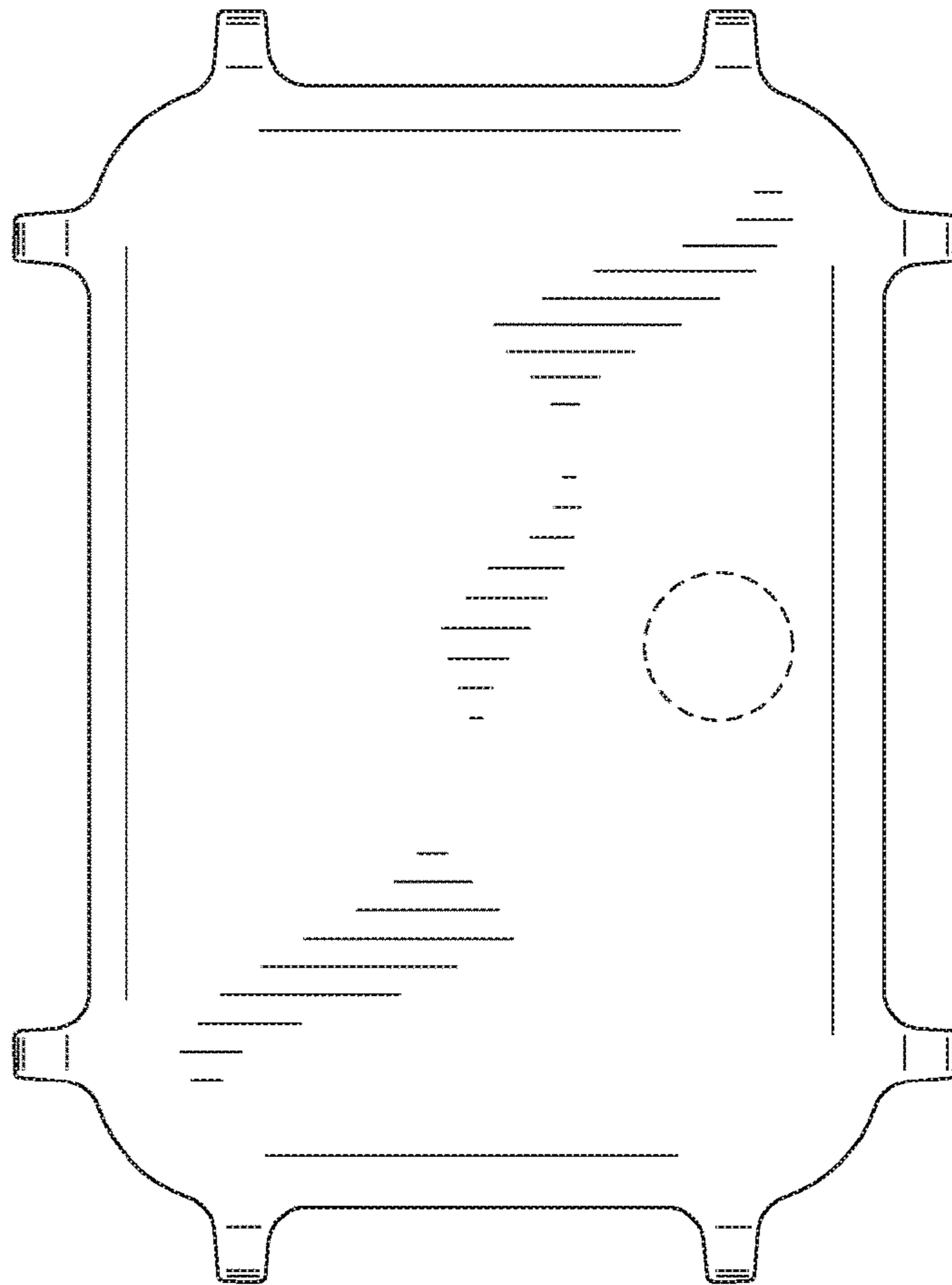


FIG. 3

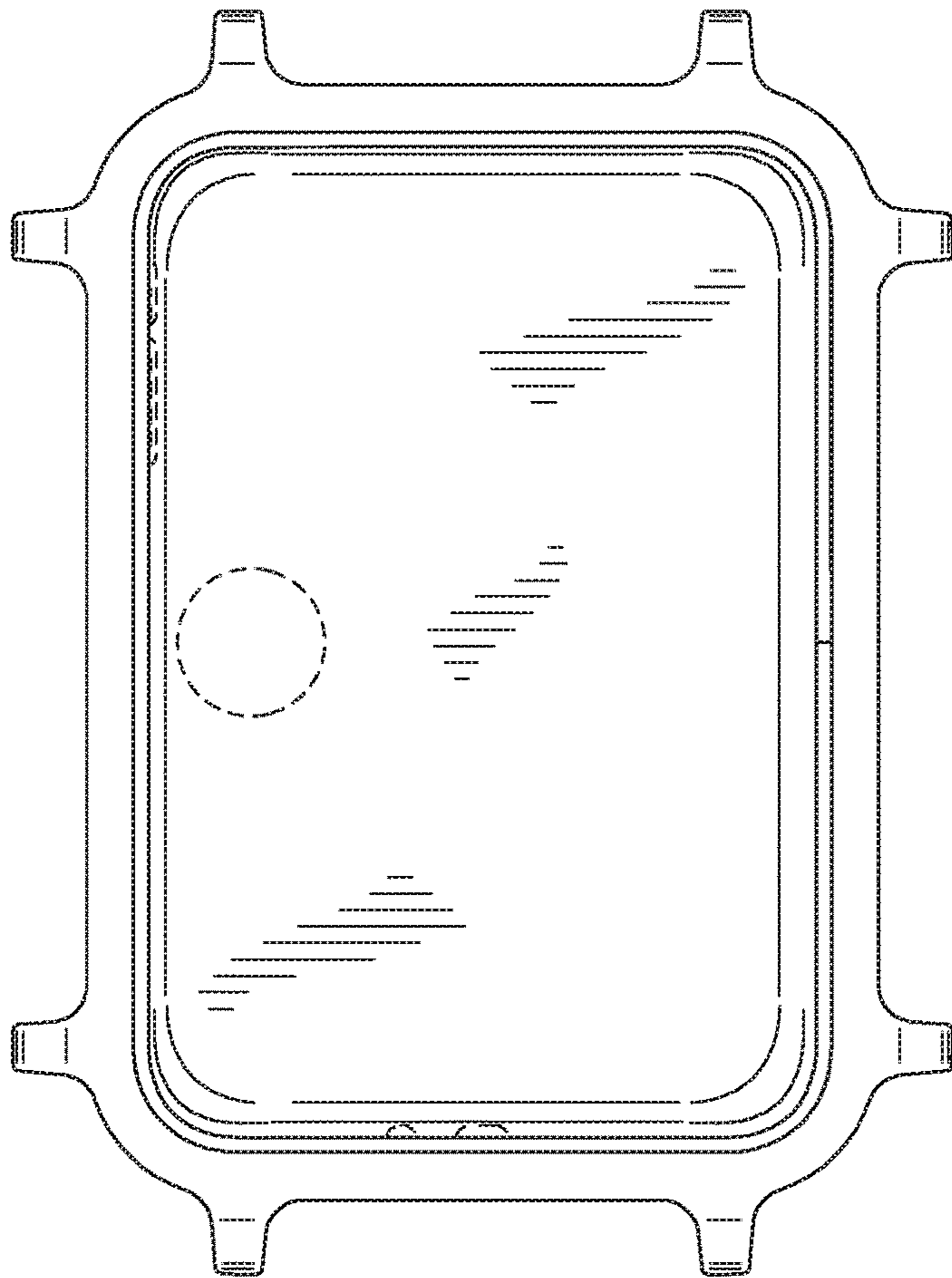


FIG. 4

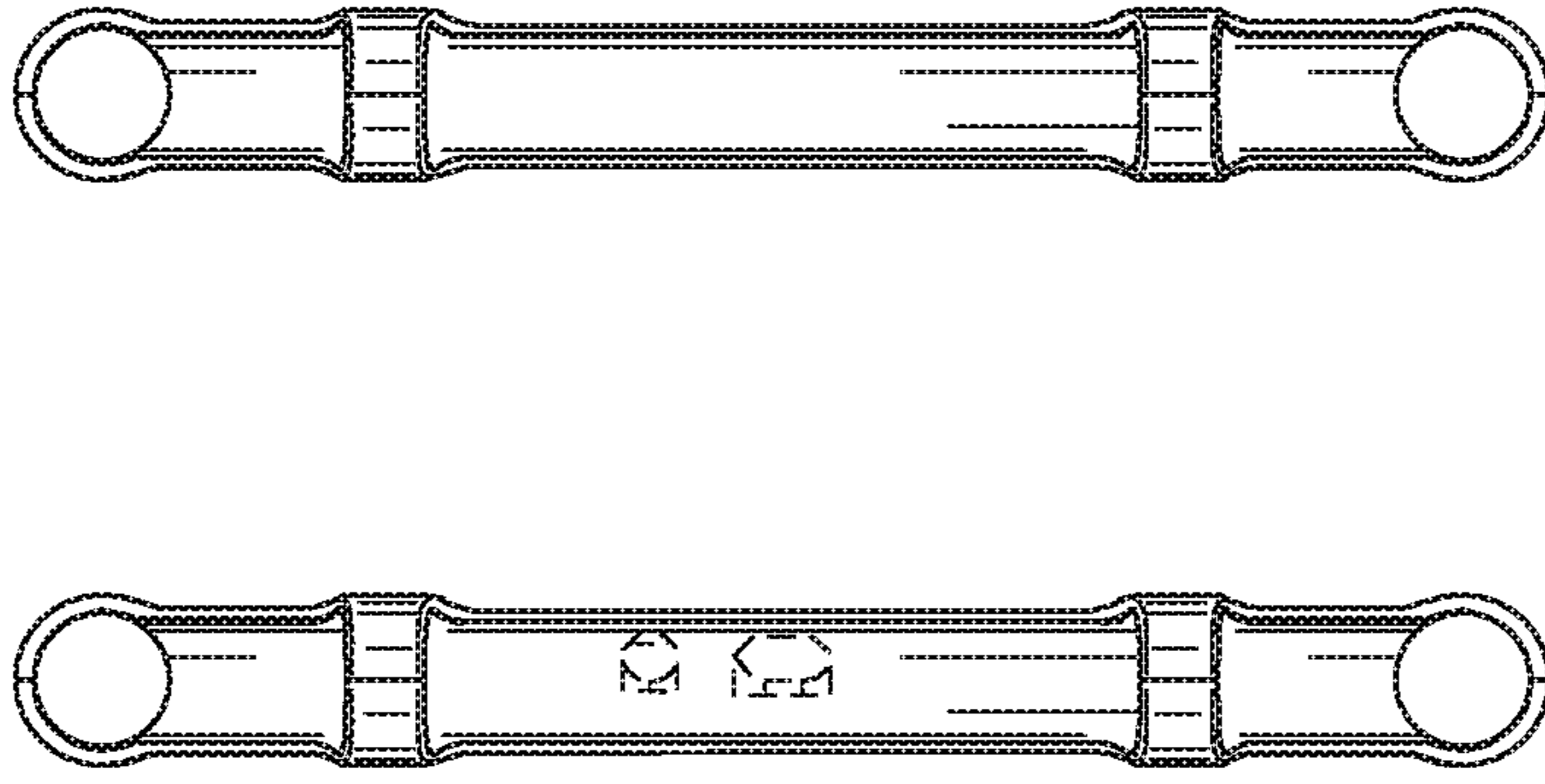


FIG. 7 FIG. 8

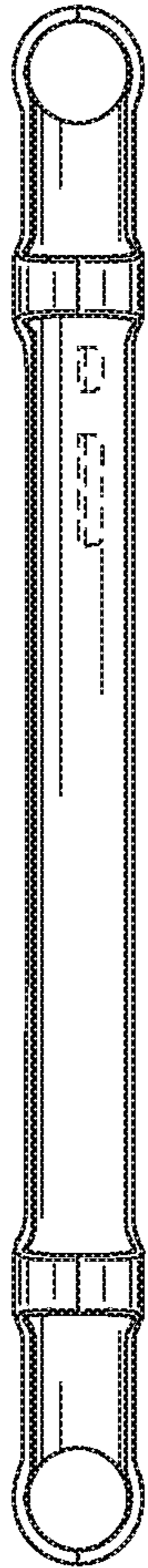


FIG. 5

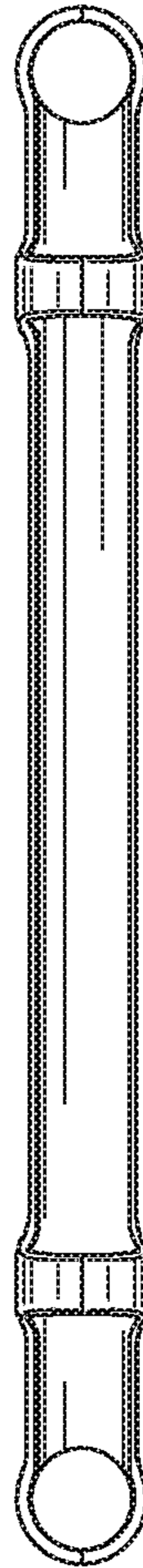


FIG. 6