



US00D819000S

(12) **United States Design Patent**
Ryu et al.

(10) **Patent No.:** **US D819,000 S**

(45) **Date of Patent:** **** May 29, 2018**

(54) **STAND FOR TV RECEIVER**

1/1601; G06F 1/1643; H05K 5/0004;
H05K 5/0017; H05K 5/02; H05K 5/0217

(71) Applicant: **LG ELECTRONICS INC.**, Seoul
(KR)

See application file for complete search history.

(72) Inventors: **Junghan Ryu**, Seoul (KR); **Sehdong Yoo**, Seoul (KR); **Bodeung Hwang**, Seoul (KR); **Yoonui Chong**, Seoul (KR); **Yongseok Kim**, Seoul (KR); **Seonkyu Kim**, Seoul (KR)

(56) **References Cited**

U.S. PATENT DOCUMENTS

1,820,841 A * 8/1931 Soref A47G 1/143
248/463
3,990,670 A * 11/1976 Frechtman A47G 1/143
248/463
D246,565 S * 12/1977 Roark D34/6
D358,639 S * 5/1995 Chiu D13/162
D396,371 S * 7/1998 Oliver D6/552

(Continued)

Primary Examiner — Barbara Fox

Assistant Examiner — Dana K Weiland

(74) *Attorney, Agent, or Firm* — Birch, Stewart, Kolasch & Birch, LLP

(73) Assignee: **LG ELECTRONICS INC.**, Seoul
(KR)

(**) Term: **15 Years**

(21) Appl. No.: **35/502,096**

(22) Filed: **Jun. 13, 2016**

(80) **Hague Agreement Data**

Int. Filing Date: **Jun. 13, 2016**

Int. Reg. No.: **DM/091372**

Int. Reg. Date: **Jun. 13, 2016**

Int. Reg. Pub. Date: **Dec. 16, 2016**

(57) **CLAIM**

The ornamental design for a stand for TV receiver, as shown and described.

DESCRIPTION

1. Stand for TV receiver

1.1 is a front perspective view of a stand for TV receiver showing our new design;

1.2 is the front view thereof;

1.3 is the back view thereof;

1.4 is the left side view thereof;

1.5 is the right side view thereof;

1.6 is the top view thereof;

1.7 is the bottom view thereof;

1.8 is another front perspective view showing the stand for TV receiver in an environment of use; and

1.9 is another front perspective view thereof in an alternate position.

The broken line showing of the TV receiver is for the purpose of depicting environmental structure and forms no part of the claimed design.

(30) **Foreign Application Priority Data**

Dec. 15, 2015 (KR) 30-2015-0064143

(51) **LOC (11) Cl.** **14-03**

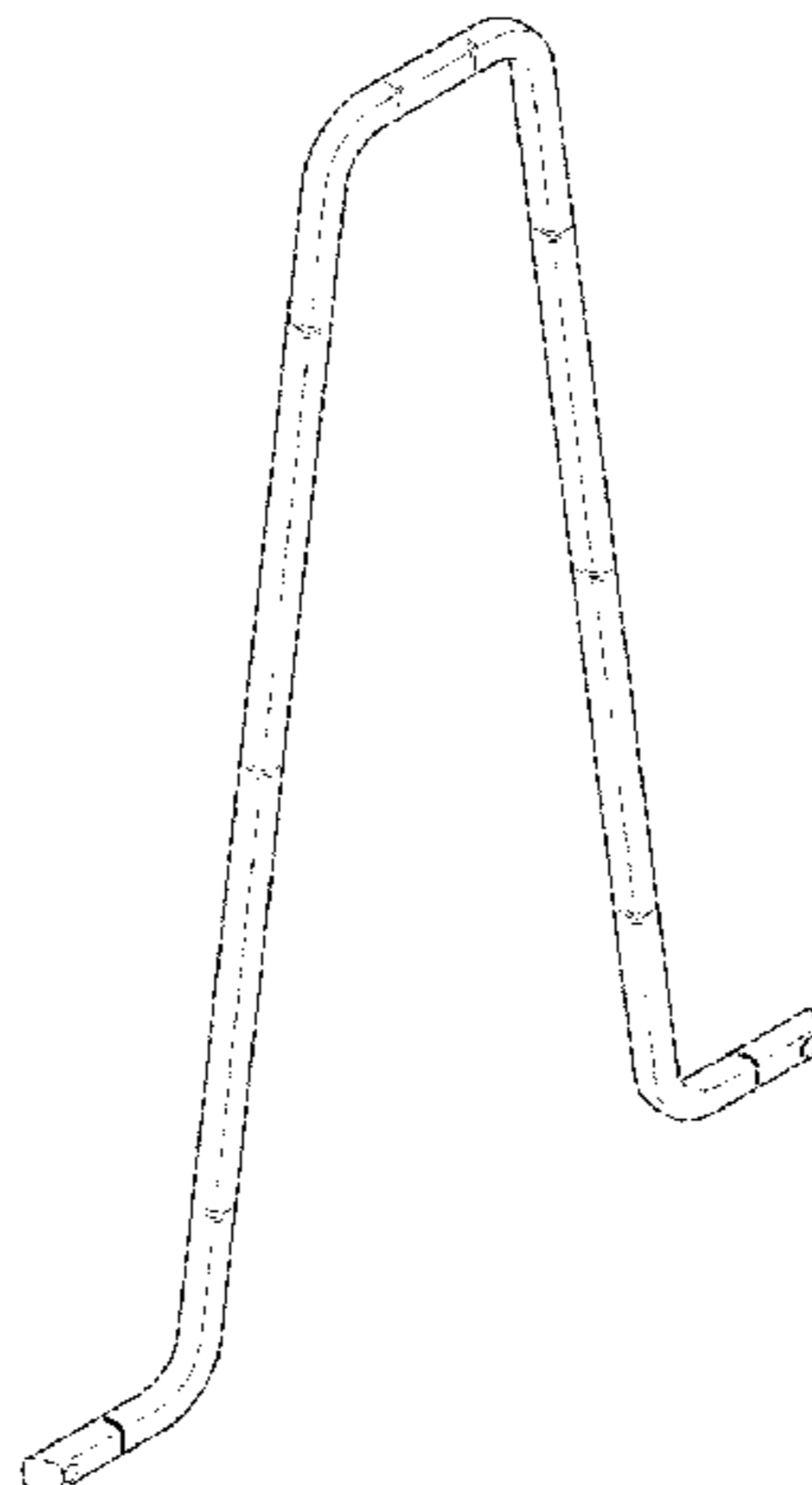
(52) **U.S. Cl.**
USPC **D14/239**

(58) **Field of Classification Search**

USPC D14/125-134, 239, 451, 253, 341-347,
D14/248, 374-377, 315-318, 426, 240,
D14/247, 137, 447, 371, 448, 159;
D6/310-313, 308, 708; D8/373, 349,
D8/394, 363, 315, 72, 367; D10/15;
D24/185

CPC H04M 1/0202; H04M 1/0235; H04M
1/0237; H04M 1/0239; H04M 1/0268;
H04M 1/027; H04M 1/0295; G06F

1 Claim, 8 Drawing Sheets



(56)

References Cited

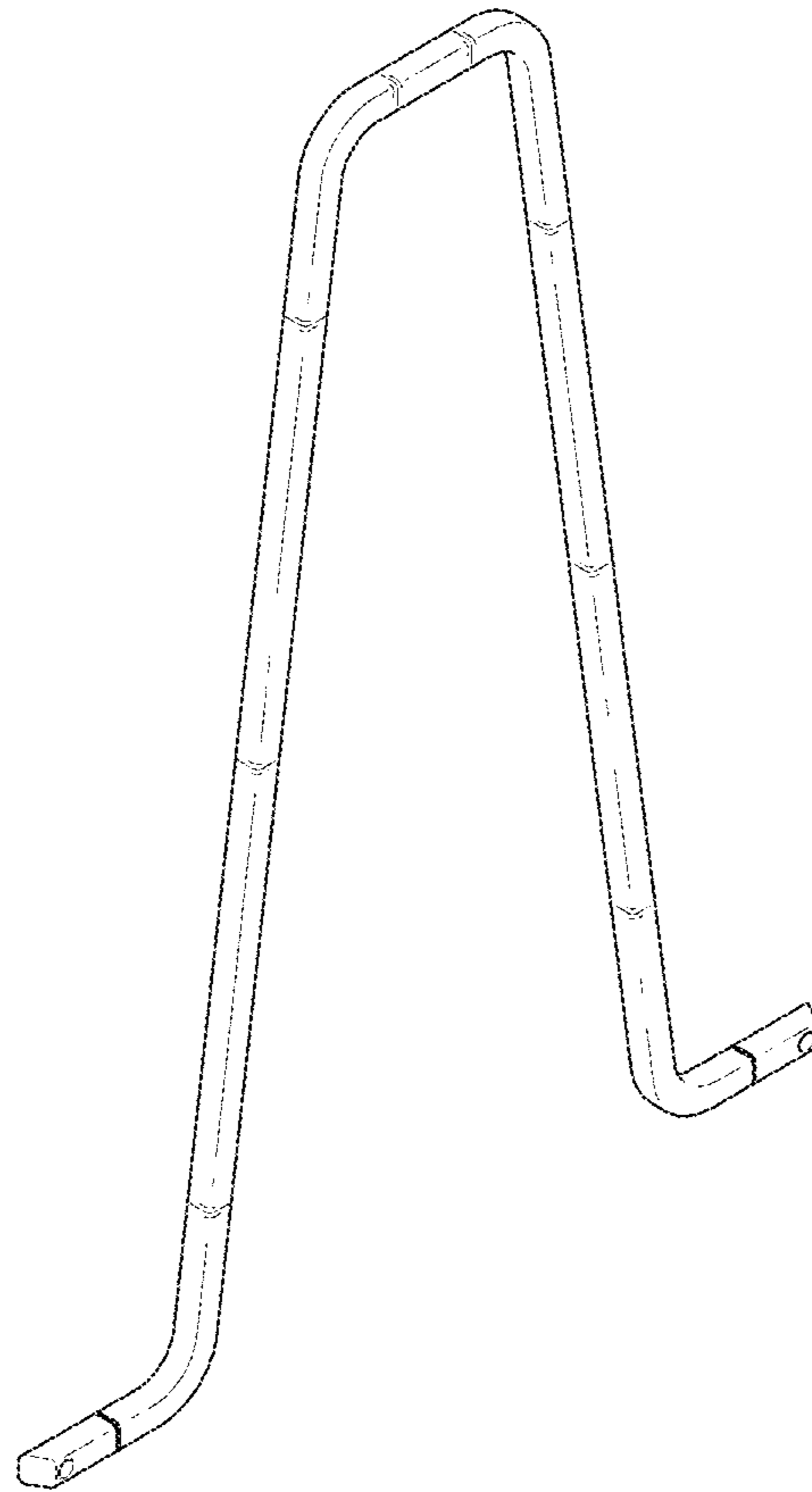
U.S. PATENT DOCUMENTS

5,927,676 A * 7/1999 Lefton B60Q 7/00
 248/456
 6,651,943 B2 * 11/2003 Cho F16M 11/105
 248/122.1
 D536,552 S * 2/2007 Dickerson D6/678.3
 D539,805 S * 4/2007 Li D14/447
 D539,806 S * 4/2007 Yu D14/447
 D577,575 S * 9/2008 Ernst D8/373
 D577,989 S * 10/2008 Ernst D6/566
 D637,187 S * 5/2011 Burns D14/253
 8,201,687 B2 * 6/2012 Zelif G06F 1/1626
 206/320
 D669,482 S * 10/2012 Hu D14/447
 D672,578 S * 12/2012 Linder D6/708.16
 D677,264 S * 3/2013 Lu D14/451
 8,498,101 B2 * 7/2013 Chiang F16M 11/105
 248/121
 D694,053 S * 11/2013 Copeland D6/708
 D699,231 S * 2/2014 Kim D14/239

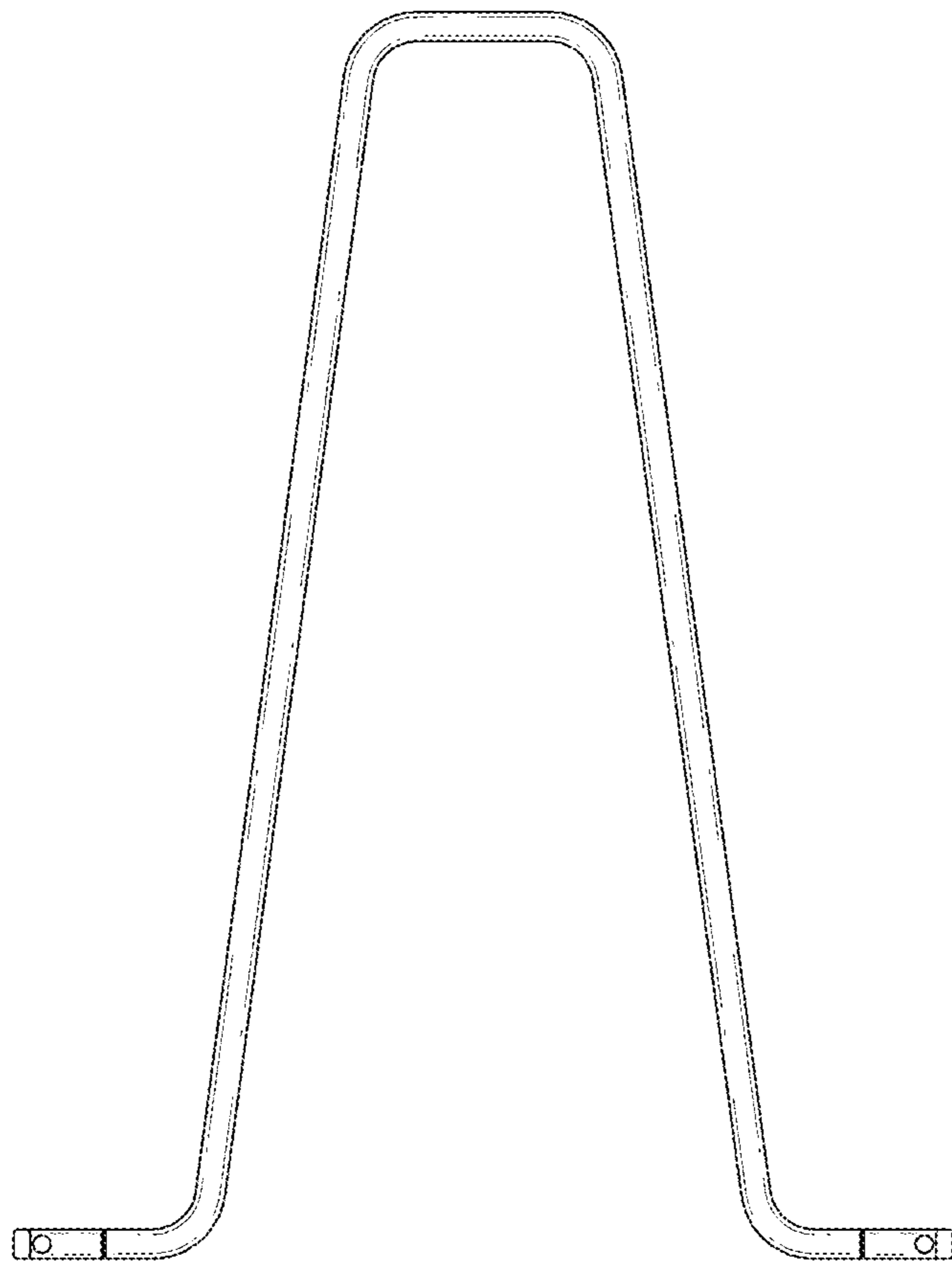
D716,595 S * 11/2014 Muller D6/708
 D725,661 S * 3/2015 Snyder D14/451
 D726,668 S * 4/2015 Yoo D14/126
 D726,670 S * 4/2015 Yoo D14/126
 D738,875 S * 9/2015 Seoc D14/341
 D740,648 S * 10/2015 Wright D8/373
 D747,311 S * 1/2016 Seoc D14/341
 D757,667 S * 5/2016 Yokota D14/126
 D758,524 S * 6/2016 Woller D22/113
 D759,636 S * 6/2016 Lee D14/239
 D761,238 S * 7/2016 Ann D14/239
 D763,217 S * 8/2016 Behar D14/126
 D768,591 S * 10/2016 Lee D14/126
 D770,460 S * 11/2016 Won D14/451
 D782,434 S * 3/2017 Kim D14/126
 D794,620 S * 8/2017 Lee D14/239
 2006/0289719 A1 * 12/2006 Liang F16M 11/10
 248/676
 2010/0012812 A1 * 1/2010 Hu G06F 1/1601
 248/454
 2012/0162102 A1 * 6/2012 Cheng F16M 11/041
 345/173

* cited by examiner

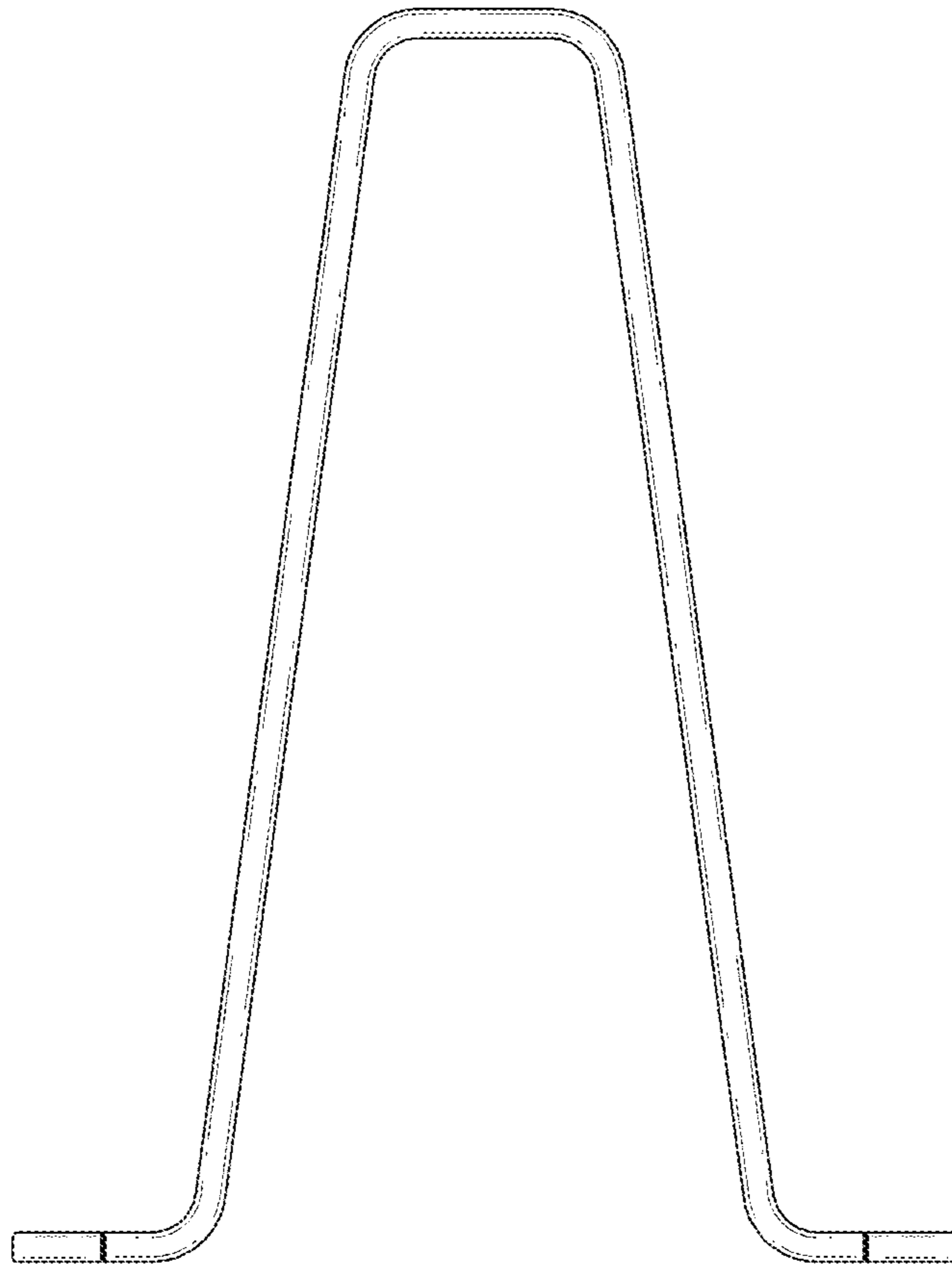
1.1



1. 2



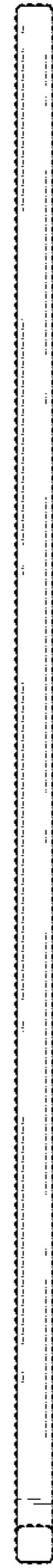
1.3



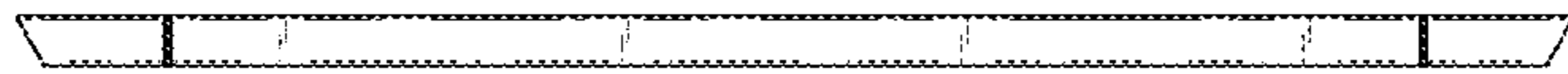
1.4



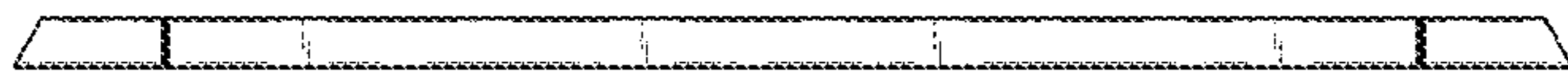
1.5



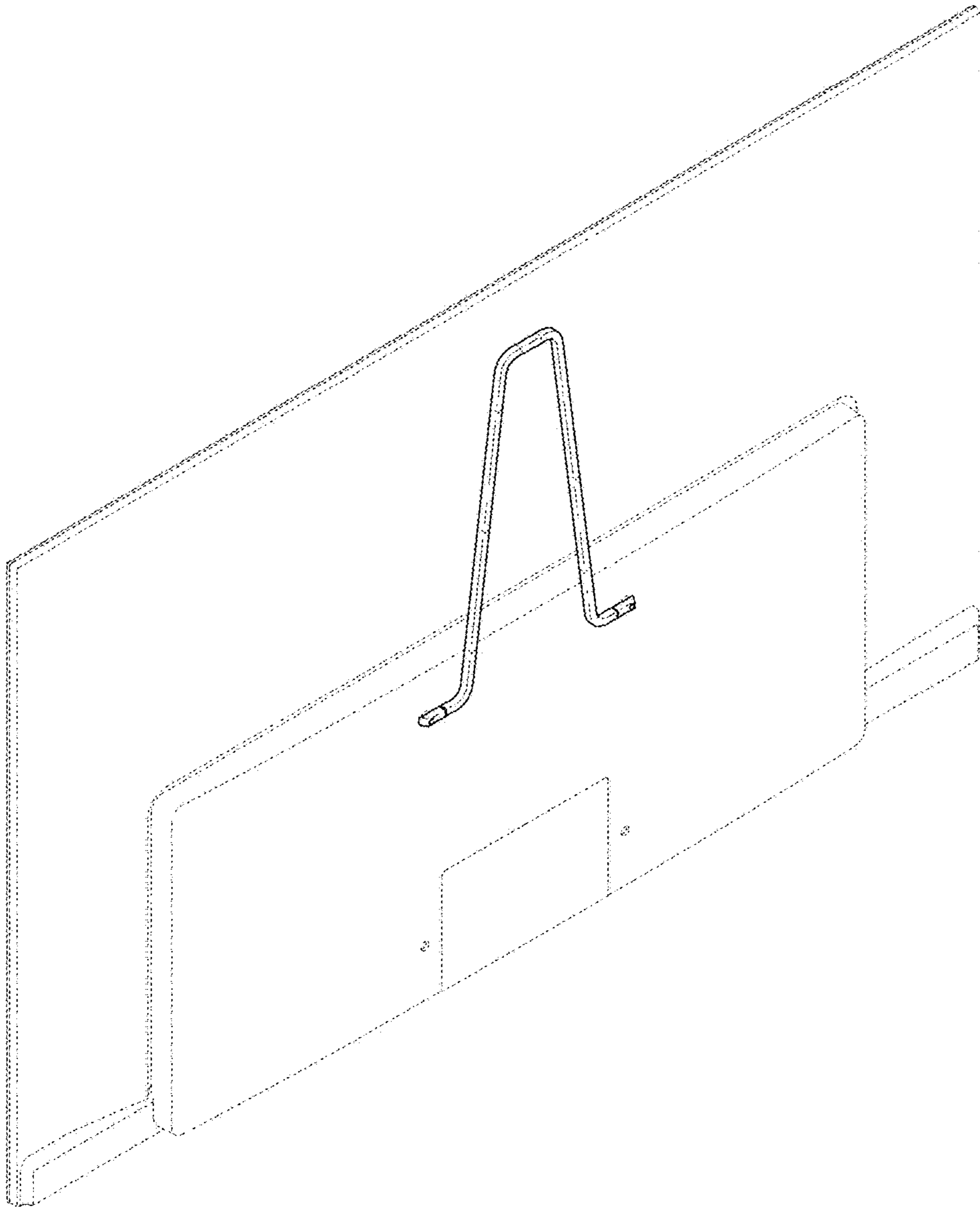
1.6



1.7



1.8



1.9

