



US00D818996S

(12) **United States Design Patent**  
**So et al.**

(10) **Patent No.:** **US D818,996 S**  
(45) **Date of Patent:** **\*\* May 29, 2018**

(54) **TELEVISION RECEIVER**

CPC ... G06F 1/1601; G06F 1/1643; H05K 5/0004;  
H05K 5/0017; H05K 5/02; H05K 5/0217  
See application file for complete search history.

(71) Applicant: **Samsung Electronics Co., Ltd.**,  
Suwon-si (KR)

(56) **References Cited**

(72) Inventors: **Kwanghyuck So**, Seoul (KR); **Seungho Lee**, Guri-si (KR)

U.S. PATENT DOCUMENTS

(73) Assignee: **Samsung Electronics Co., Ltd.**,  
Suwon-si (KR)

D716,277 S \* 10/2014 Kim ..... D14/239  
D716,777 S \* 11/2014 Kim ..... D14/239  
D725,661 S \* 3/2015 Snyder ..... D14/451

(\*\*) Term: **15 Years**

\* cited by examiner

(21) Appl. No.: **29/594,711**

*Primary Examiner* — Randall H Gholson

(22) Filed: **Feb. 22, 2017**

(74) *Attorney, Agent, or Firm* — NSIP Law

(30) **Foreign Application Priority Data**

(57) **CLAIM**

Aug. 31, 2016 (KR) ..... 30-2016-0042809

We claim the ornamental design for a television receiver, as shown and described.

(51) **LOC (11) Cl.** ..... **14-03**

**DESCRIPTION**

(52) **U.S. Cl.**

USPC ..... **D14/239**

(58) **Field of Classification Search**

USPC ..... D14/125–134, 239, 371, 136, 374–377,  
D14/440, 450, 448, 336, 342, 159;  
312/7.2; 348/836, 838, 180, 184, 325,  
348/739; 248/917–924, 465; 345/104,  
345/133, 156, 168, 87, 173; D21/329,  
D21/515, 577, 622, 333, 433, 448, 452,  
D21/450, 331, 505; D10/15, 26;  
446/484, 175, 356; D6/477, 479, 300;  
D24/185; D34/14

FIG. 1 is a front perspective view of a television receiver showing our new design;  
FIG. 2 is a front view thereof;  
FIG. 3 is a rear view thereof;  
FIG. 4 is a left-side view thereof;  
FIG. 5 is a right-side view thereof;  
FIG. 6 is a top view thereof;  
FIG. 7 is a bottom view thereof; and,  
FIG. 8 is a rear perspective view thereof.  
The broken lines in the figures depict environmental subject matter and form no part of the claimed design.

**1 Claim, 7 Drawing Sheets**

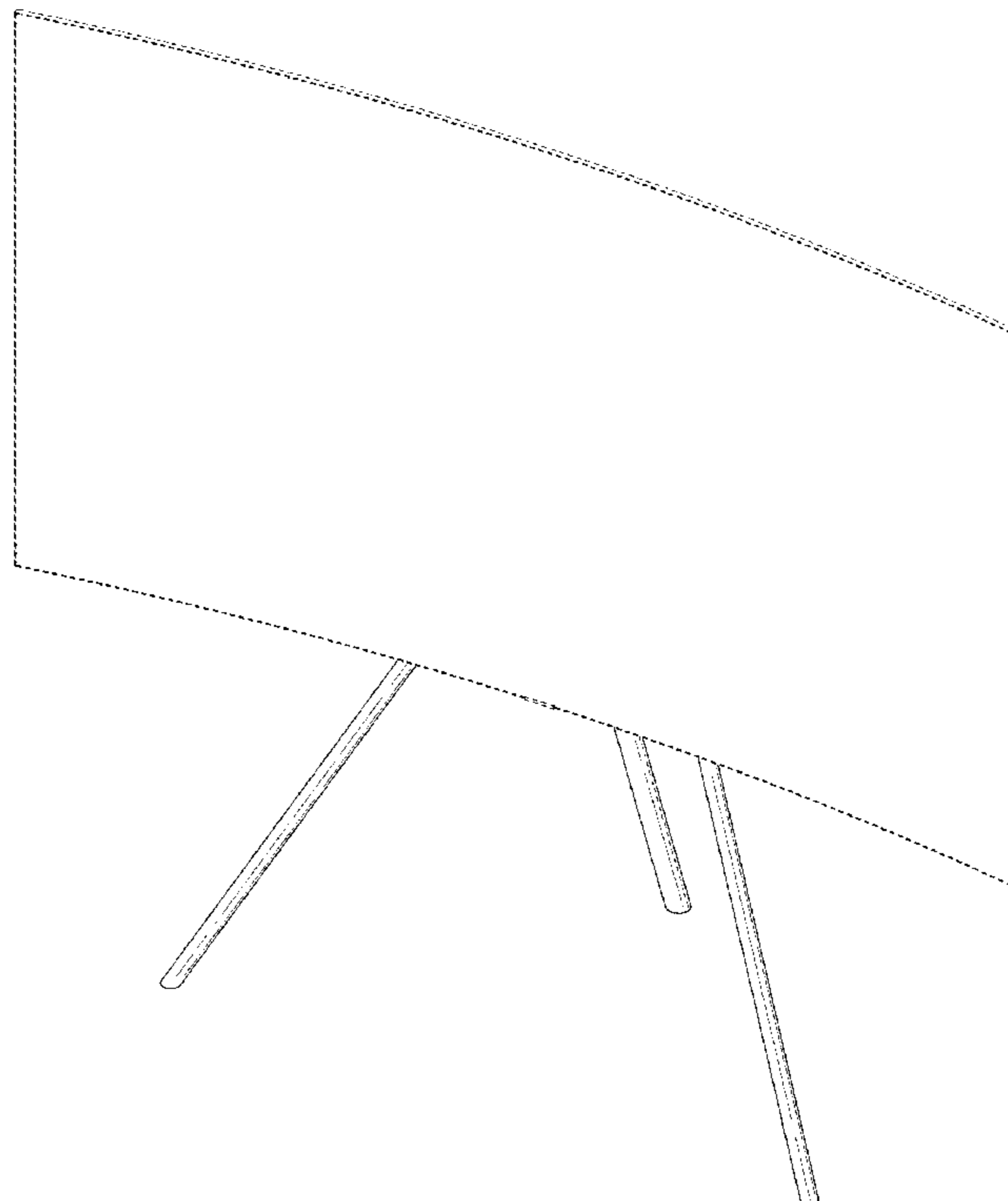


FIG. 1

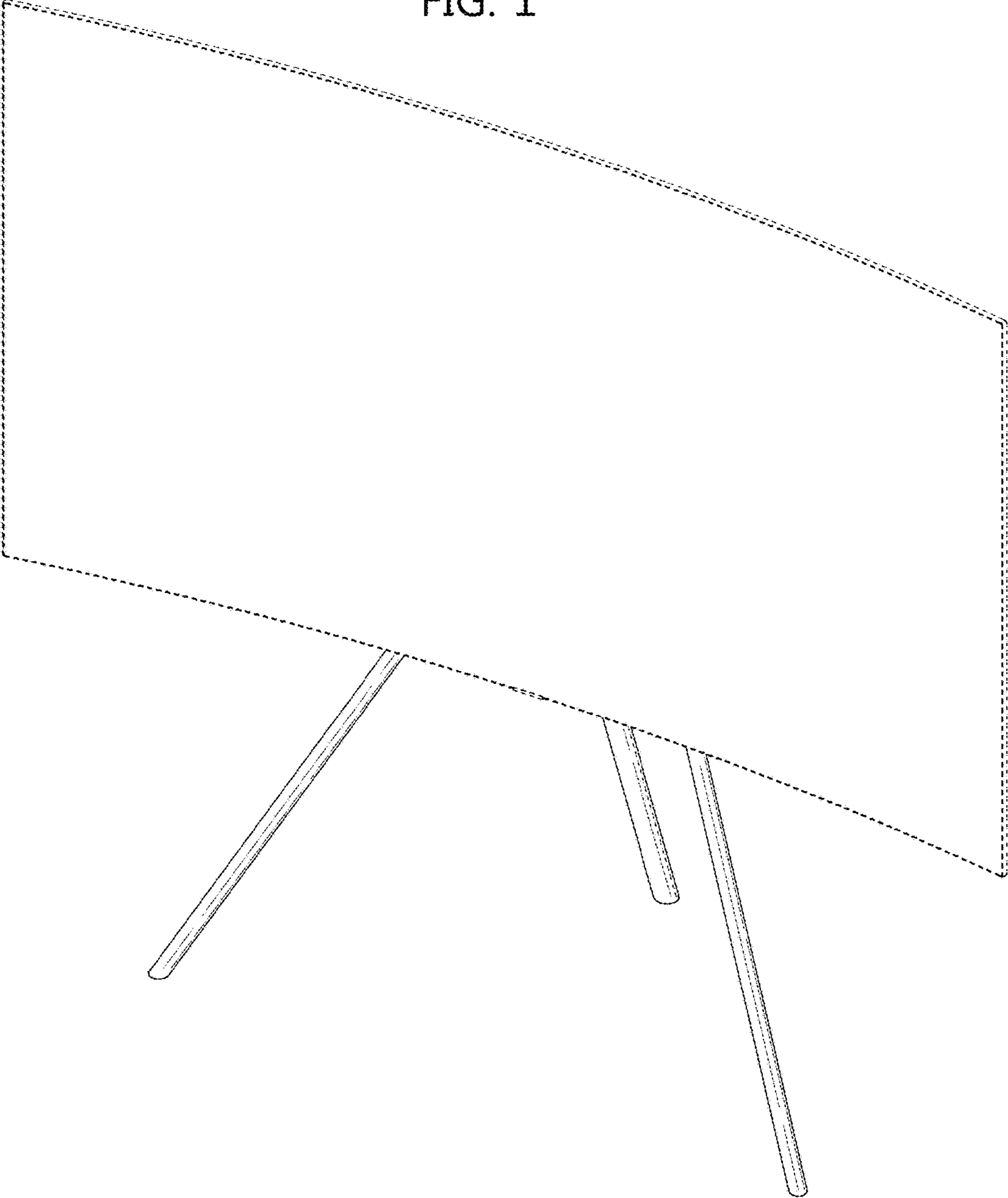


FIG. 2

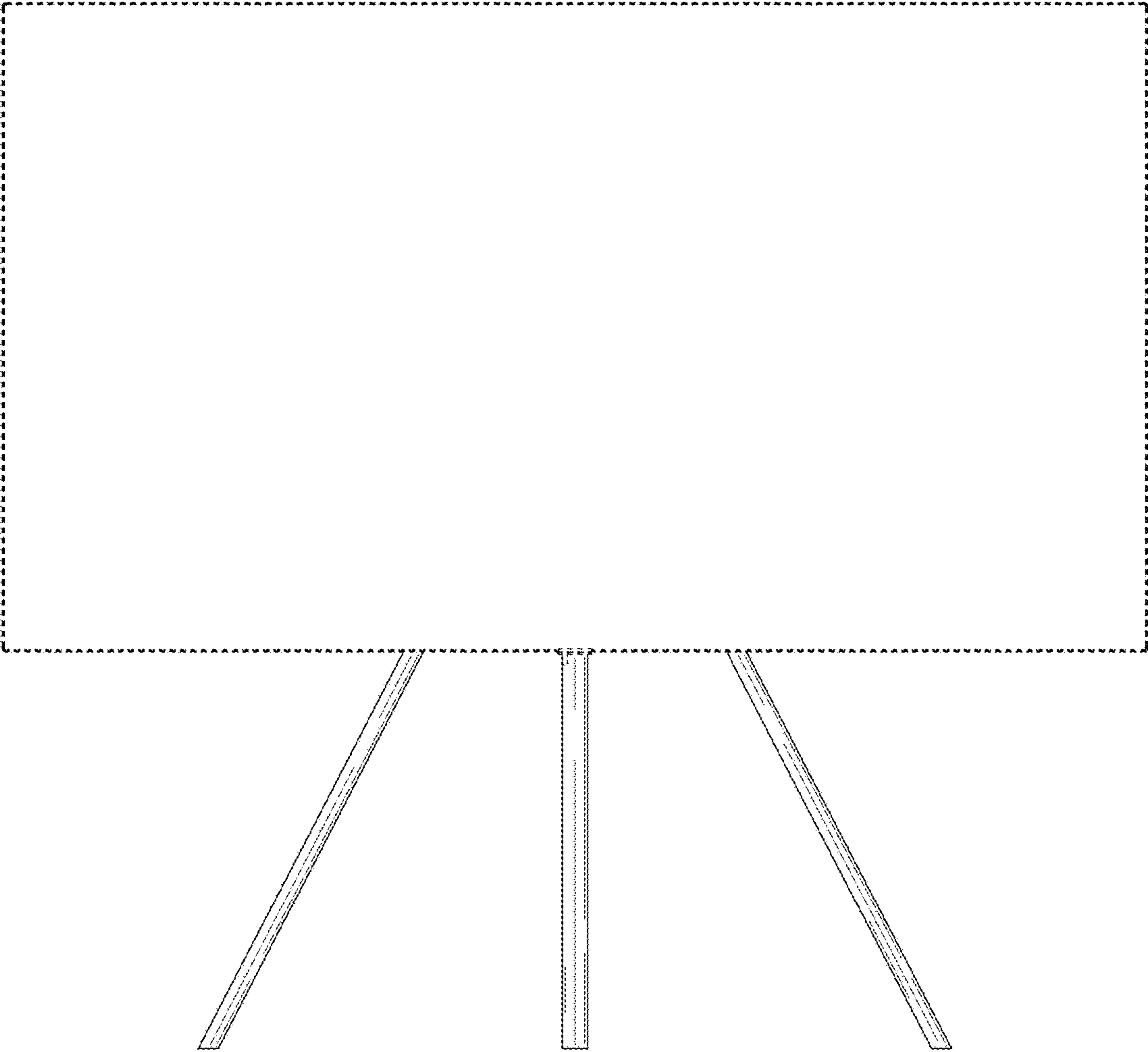


FIG. 3

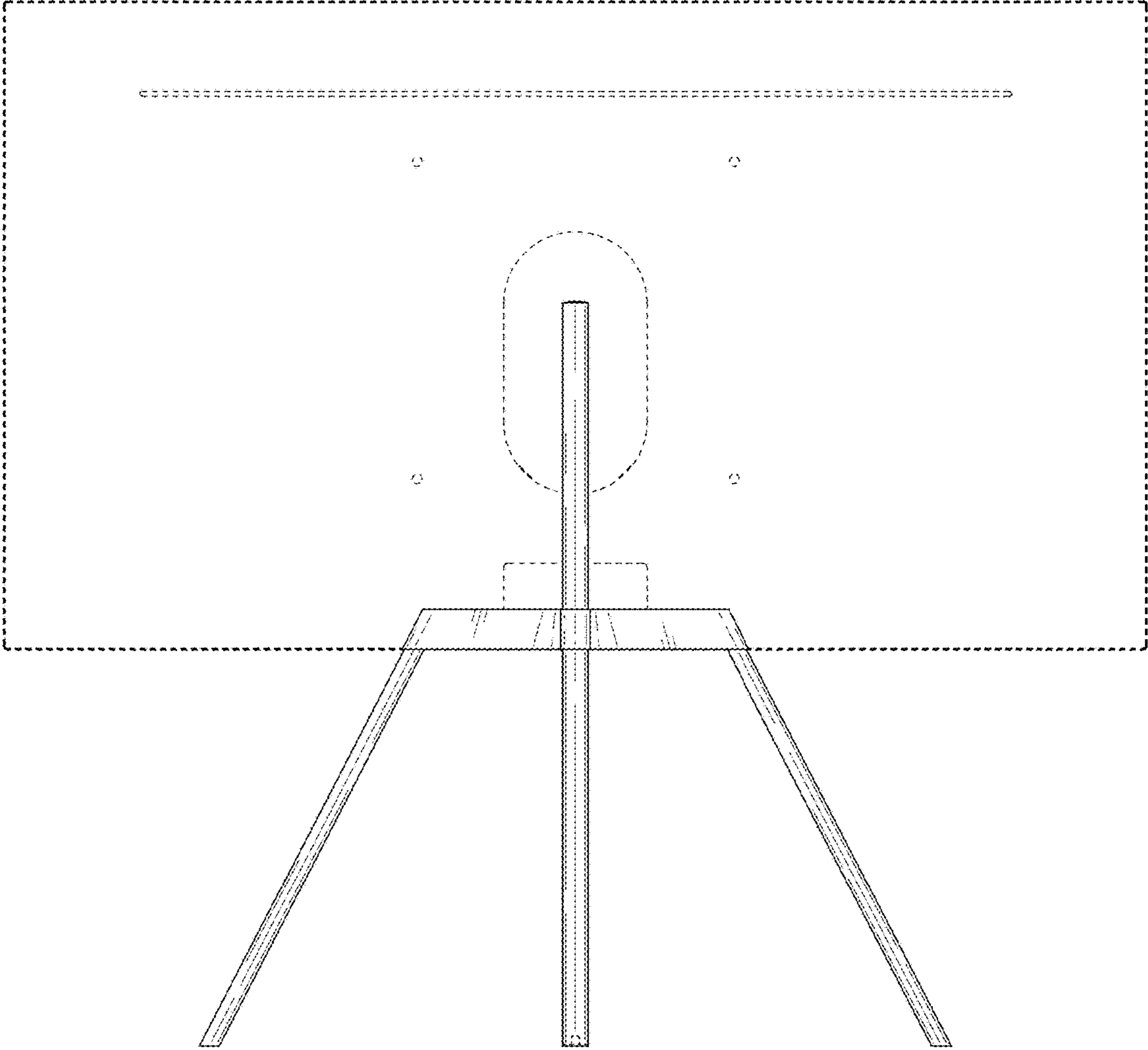


FIG. 4

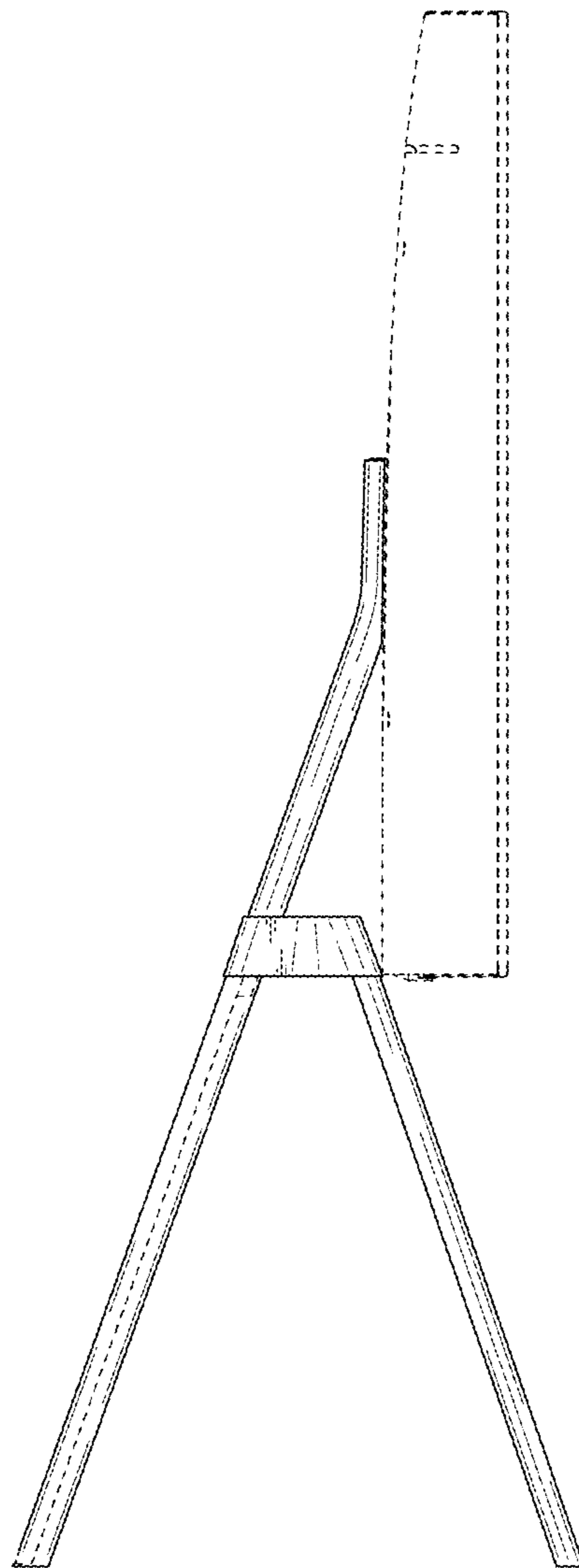


FIG. 5

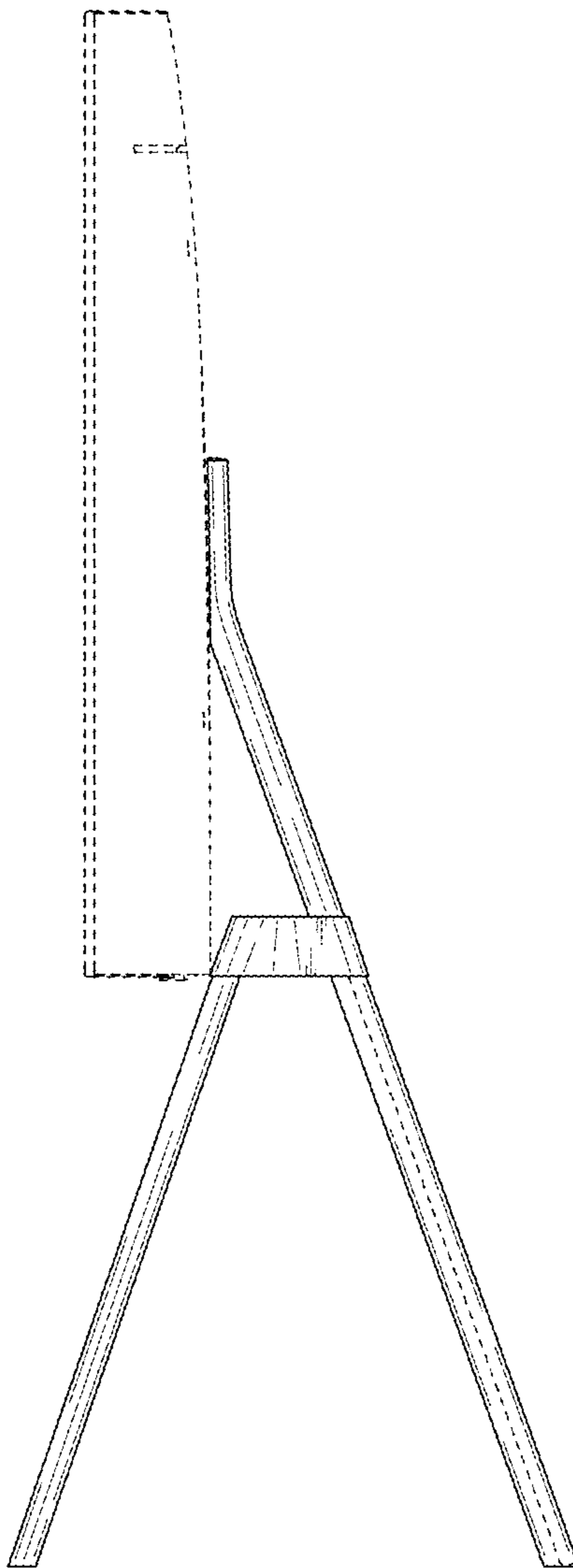


FIG. 6

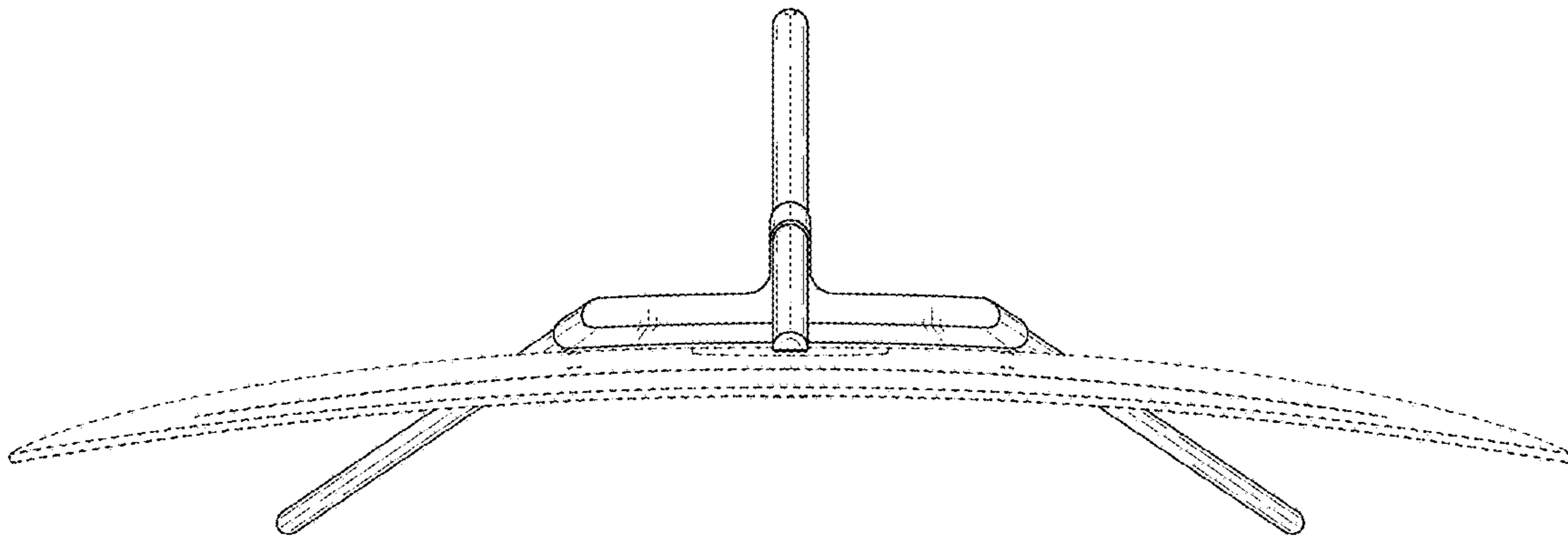


FIG. 7

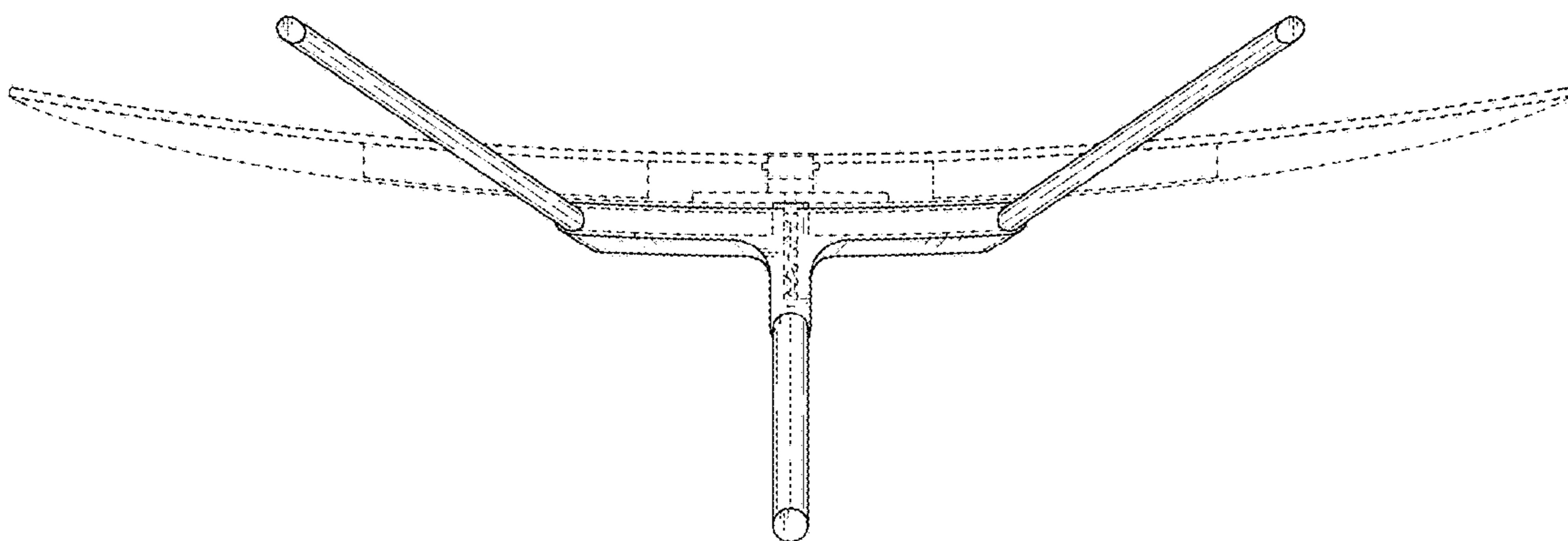


FIG. 8

