



US00D818995S

(12) **United States Design Patent**
Cho et al.

(10) **Patent No.:** **US D818,995 S**

(45) **Date of Patent:** **** May 29, 2018**

(54) **MICROPHONE**

(71) Applicant: **Shure Acquisition Holdings, Inc.**,
Niles, IL (US)

(72) Inventors: **Elizabeth Cho**, Niles, IL (US); **John Miller**, Niles, IL (US); **Daniel Pratt**, Niles, IL (US); **Jeff Segota**, Niles, IL (US)

(73) Assignee: **Shure Acquisition Holdings, Inc.**,
Niles, IL (US)

(**) Term: **15 Years**

(21) Appl. No.: **29/574,204**

(22) Filed: **Aug. 12, 2016**

(51) **LOC (11) Cl.** **14-01**

(52) **U.S. Cl.**
USPC **D14/228**

(58) **Field of Classification Search**
USPC D14/154, 157–159, 168, 185–186, 188,
D14/221–22, 224–229, 242–243, 259,
D14/299, 500, 501, 507; D26/37
CPC H04R 1/326; H04R 1/406; H04R 1/083;
H04R 1/222; H04R 1/1041; H04R 17/02;
H04R 29/004; H04R 29/005; H04R
19/04; H04R 2420/07; H04R 2410/00;
H04R 2410/01
See application file for complete search history.

(56) **References Cited**

U.S. PATENT DOCUMENTS

3,718,862 A * 2/1973 Norris H04B 5/06
455/117
D296,100 S * 6/1988 Kubota D14/228

D407,407 S * 3/1999 Okon D14/228
D483,028 S * 12/2003 Morrow, Jr. D14/225
D498,232 S * 11/2004 Ruhrig D14/228
D504,678 S * 5/2005 Ruhrig D14/228
D623,631 S * 9/2010 Kung D14/228
2014/0376761 A1* 12/2014 Godfrey H04R 1/04
381/356

* cited by examiner

Primary Examiner — Barbara Fox

Assistant Examiner — Messina L Smith

(74) *Attorney, Agent, or Firm* — Banner & Witcoff, Ltd.

(57) **CLAIM**

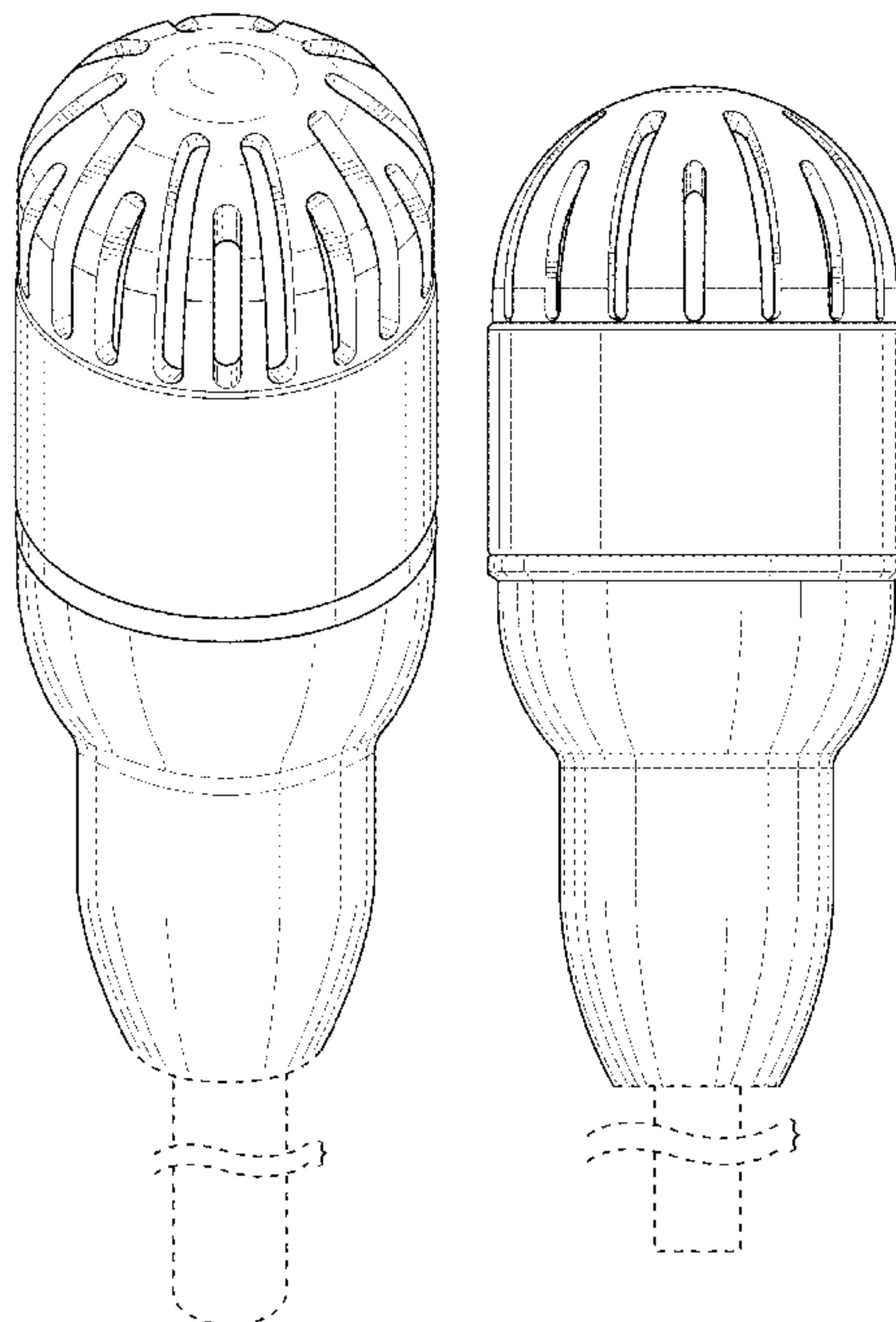
The ornamental design for a microphone, as shown and described.

DESCRIPTION

FIG. 1 is a top, front, right perspective view of a microphone showing our new design;
FIG. 2 is a front view thereof;
FIG. 3 is a right side view thereof;
FIG. 4 is a rear view thereof;
FIG. 5 is a left side view thereof;
FIG. 6 is a top view thereof; and,
FIG. 7 is a bottom view thereof.

The microphone is shown with symbolic breaks in its length. The appearance of any portion of the article between the break lines forms no part of the claimed design. The broken line immediately adjacent to the shaded area depicts a boundary line and forms no part of the claimed design. All other broken lines in the drawing depict portions of the microphone that form no part of the claimed design.

1 Claim, 7 Drawing Sheets



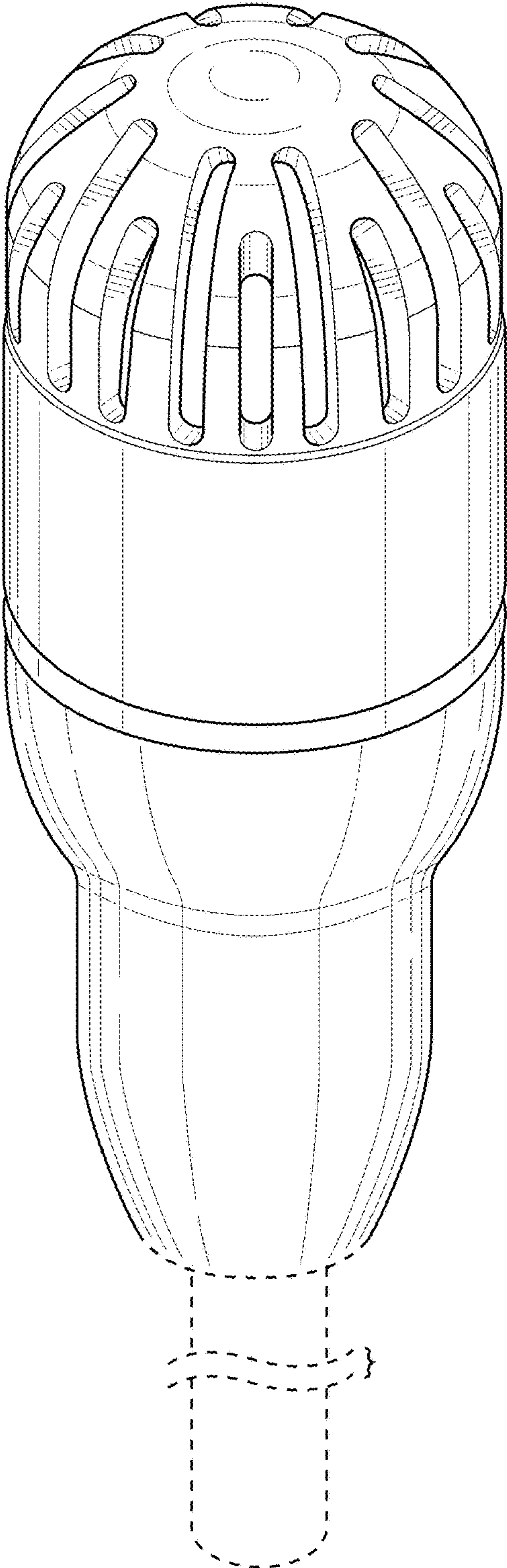


FIG. 1

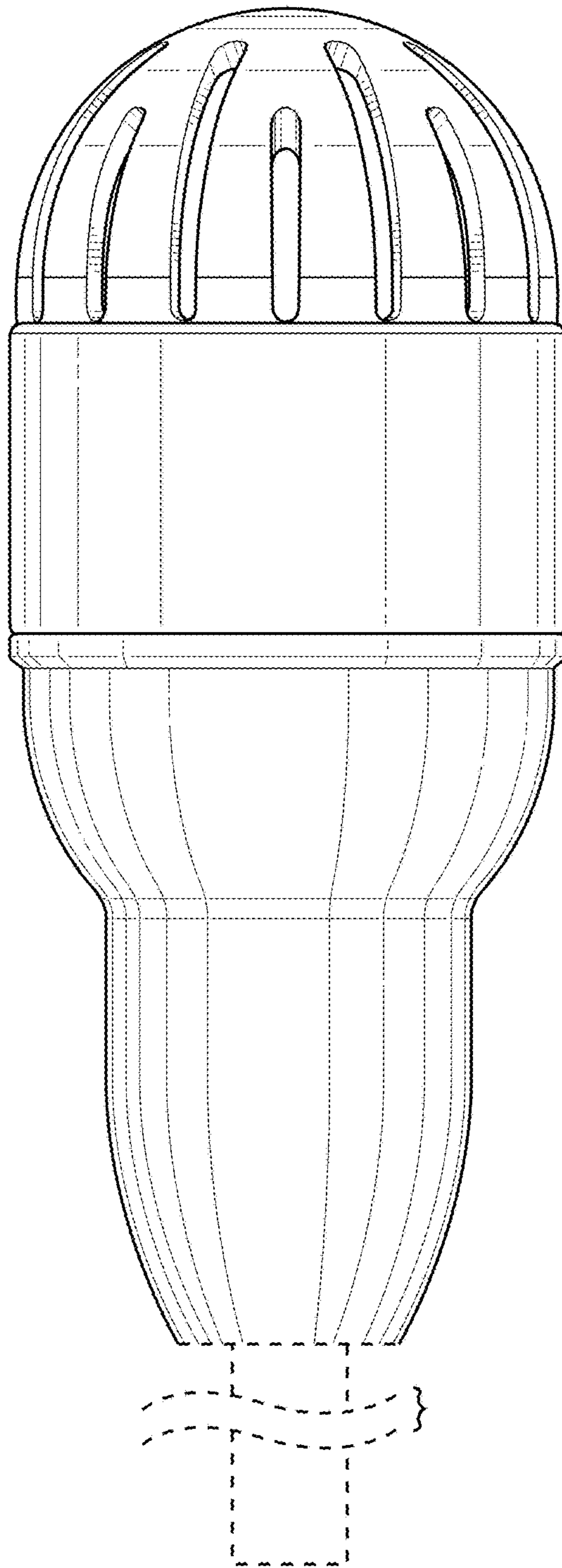


FIG. 2

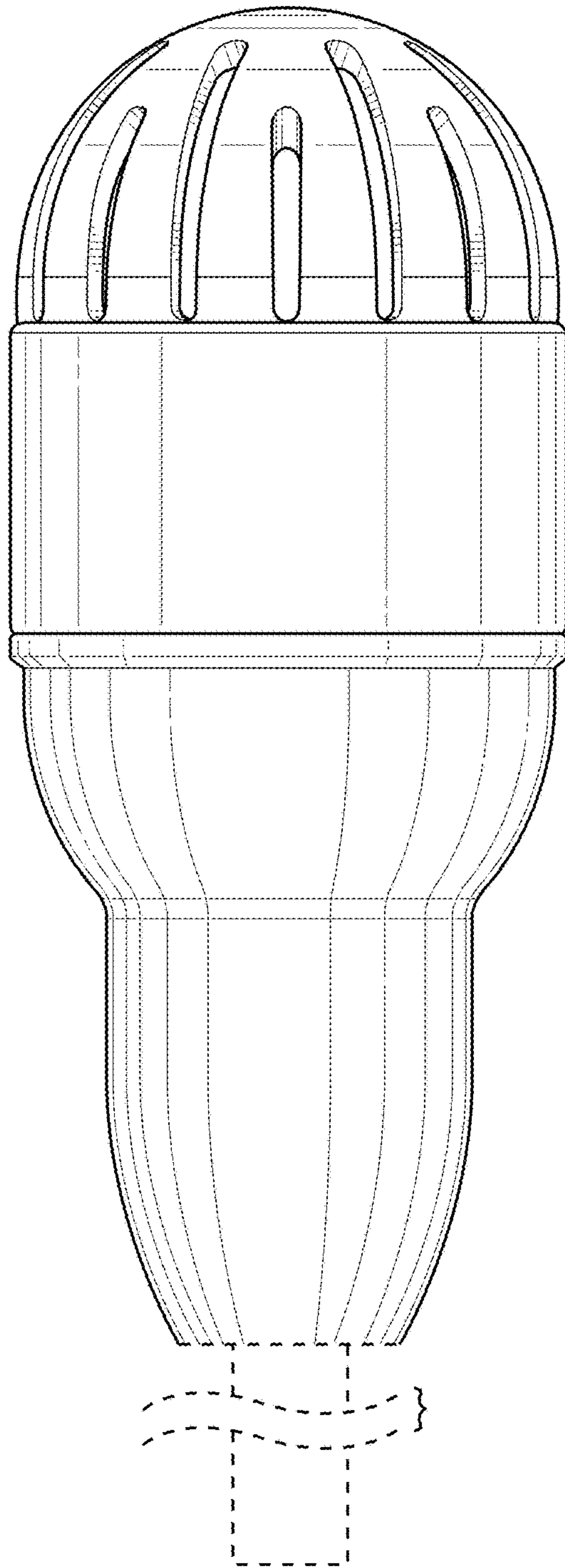


FIG. 3

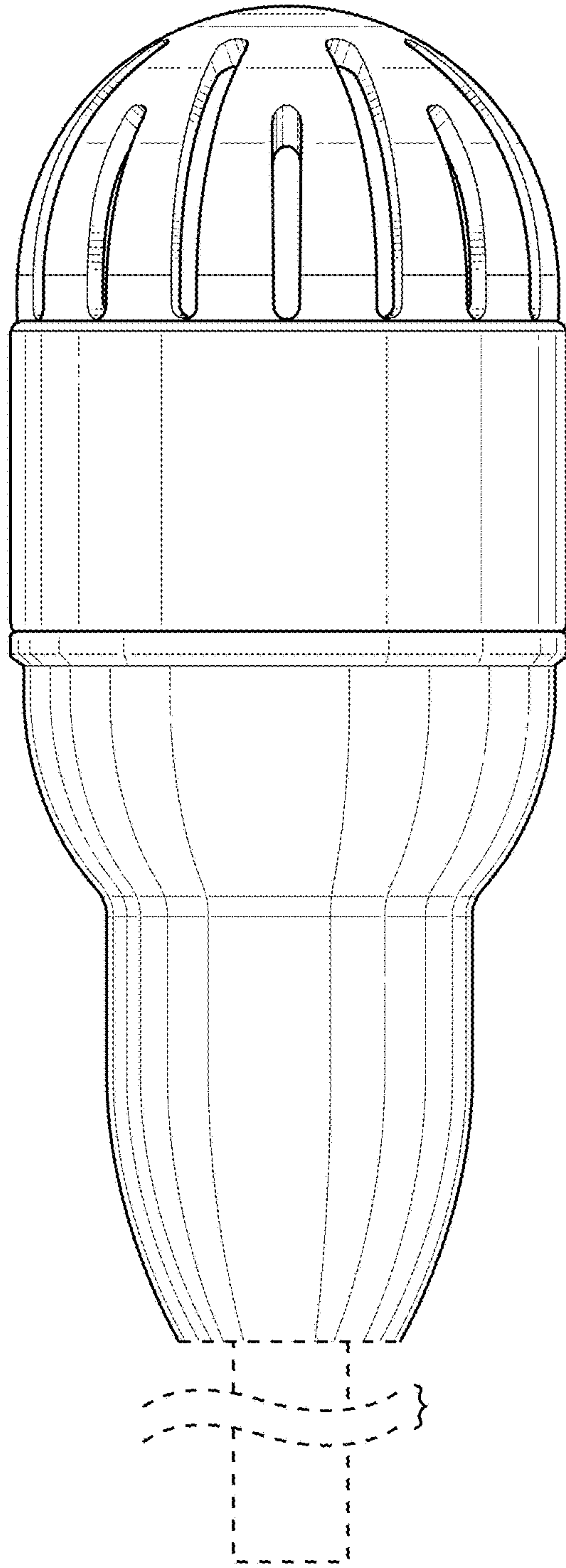


FIG. 4

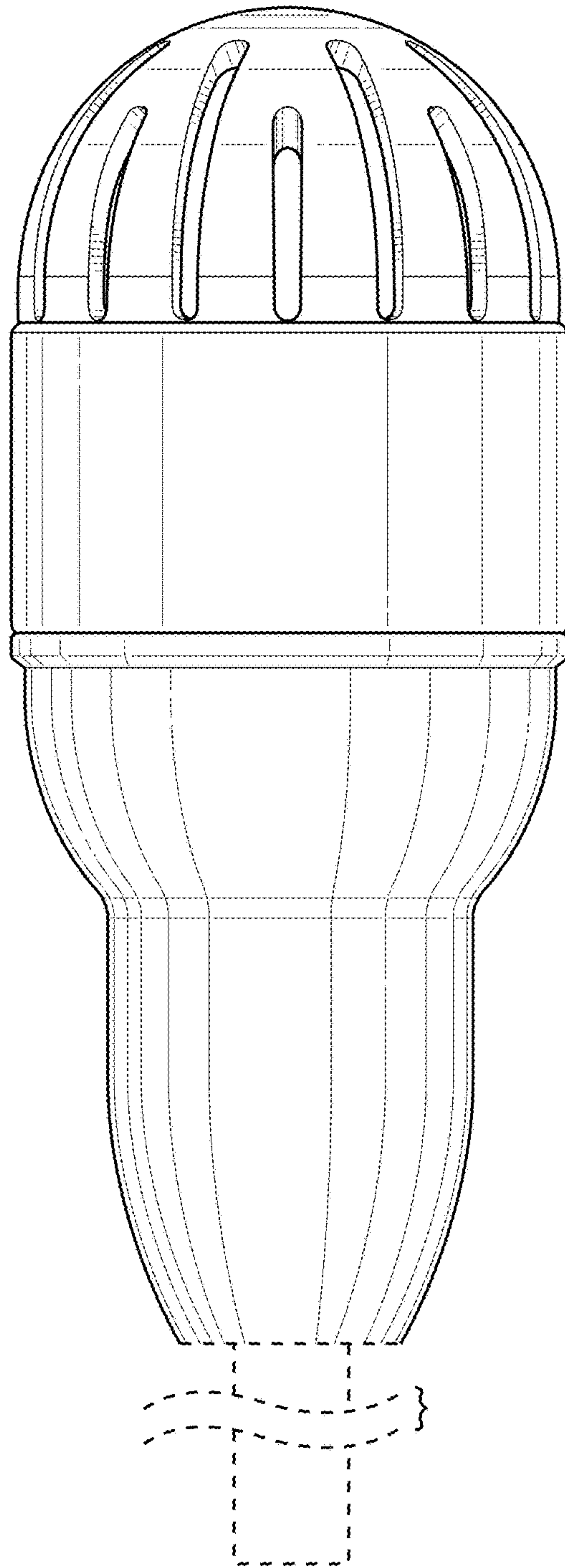


FIG. 5

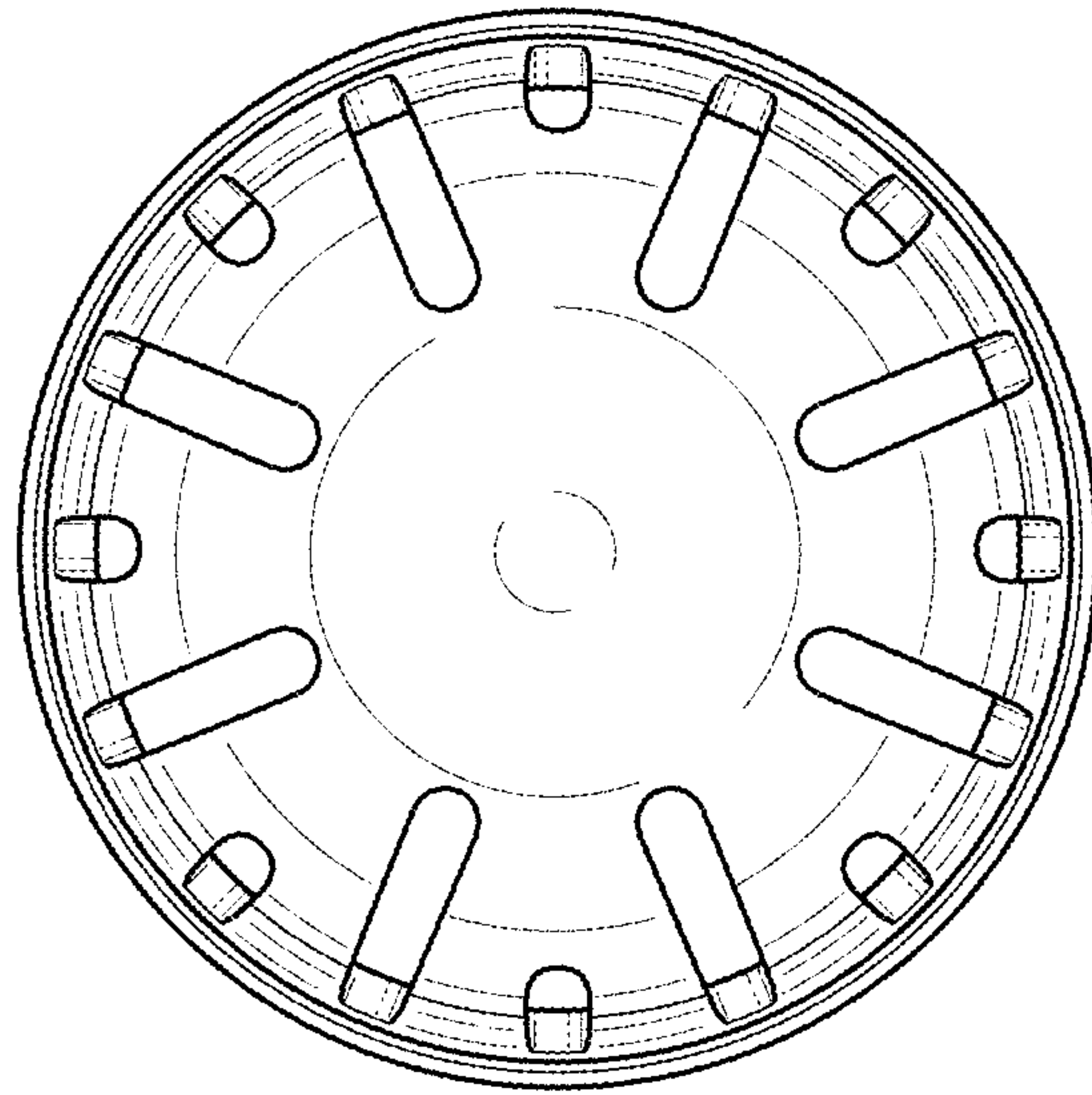


FIG. 6

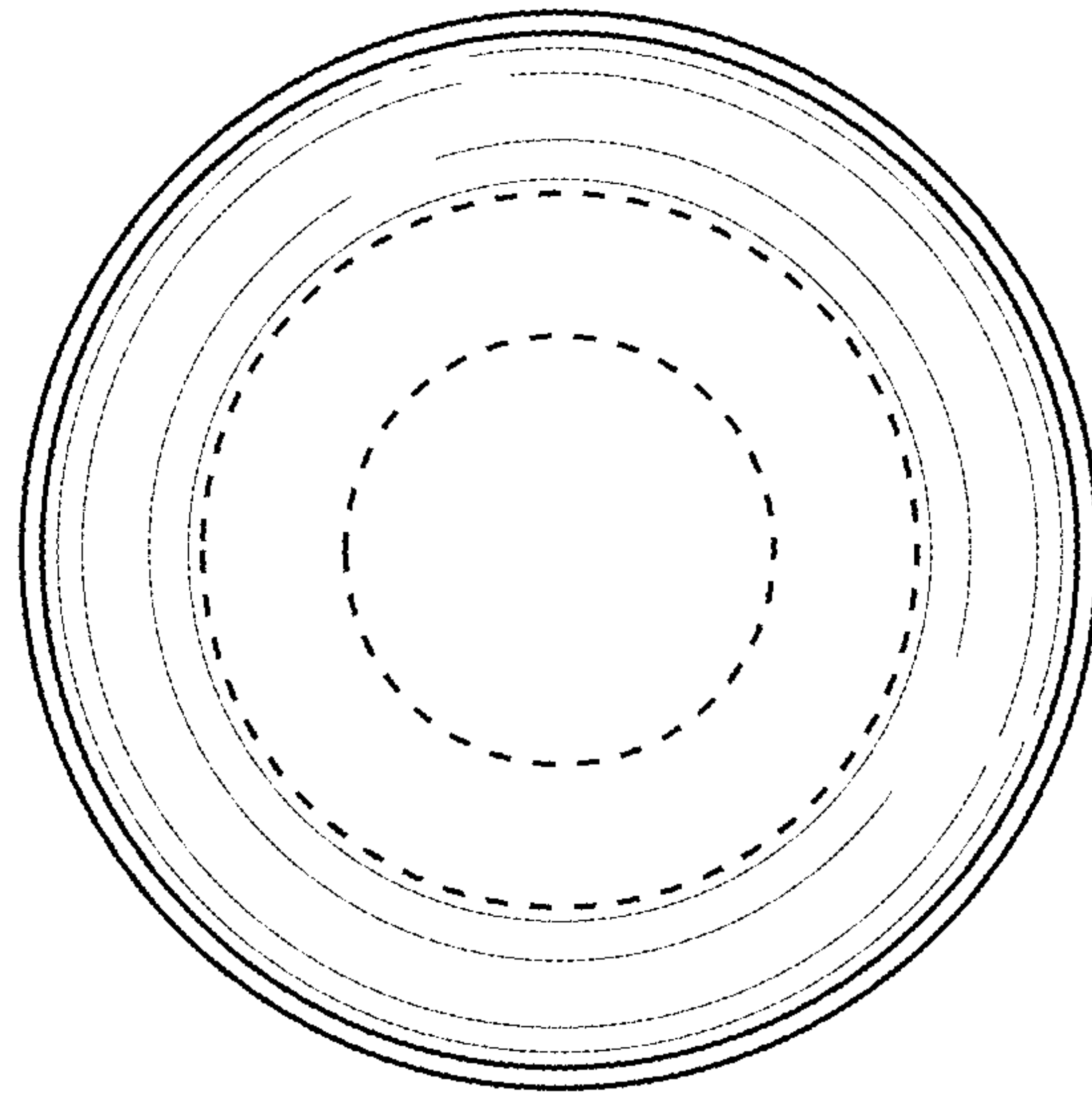


FIG. 7