



US00D818993S

(12) **United States Design Patent**  
**Kim**

(10) **Patent No.:** **US D818,993 S**

(45) **Date of Patent:** **\*\* May 29, 2018**

(54) **HOLDING STRAP FOR WIRELESS EAR-BUD STYLE EARPIECES**

(71) Applicant: **Dae-Young Kim**, Seoul (KR)

(72) Inventor: **Dae-Young Kim**, Seoul (KR)

(73) Assignee: **SPIGEN KOREA CO., LTD.**,  
Bongeunsa-ro, Gangnam-gu, Seoul (KR)

(\*\*) Term: **15 Years**

(21) Appl. No.: **29/577,692**

(22) Filed: **Sep. 14, 2016**

**Related U.S. Application Data**

(63) Continuation of application No. 29/577,516, filed on Sep. 13, 2016.

(51) **LOC (11) Cl.** ..... **14-01**

(52) **U.S. Cl.**  
USPC ..... **D14/223**

(58) **Field of Classification Search**

USPC ..... D14/205–206, 223, 225, 372, 433;  
D29/112; D24/173–174

CPC ..... H04R 1/10; H04R 1/1016; H04R 1/1066;  
H04R 1/105; H04R 1/1033; H04R 1/08;  
H04R 5/033; H04R 5/0335; H04R 25/00

See application file for complete search history.

(56) **References Cited**

**U.S. PATENT DOCUMENTS**

D245,202 S 7/1977 Asker  
D562,807 S 2/2008 Andre et al.  
D566,691 S 4/2008 Andre et al.

(Continued)

**OTHER PUBLICATIONS**

This AirPods strap misses the entire point of wireless earbuds, posted at Techradar.com, posted on Sep. 12, 2016, site visited Jun.

19, 2017, <<http://www.techradar.com/news/audio/this-airpods-strap-misses-the-entire-point-of-wireless-earbuds-1328454#>>.\*

(Continued)

*Primary Examiner* — Barbara Fox

*Assistant Examiner* — Messina L Smith

(74) *Attorney, Agent, or Firm* — Heedong Chae; Lucem, PC

(57) **CLAIM**

The ornamental design for a holding strap for wireless ear-bud style earpieces, as shown and described.

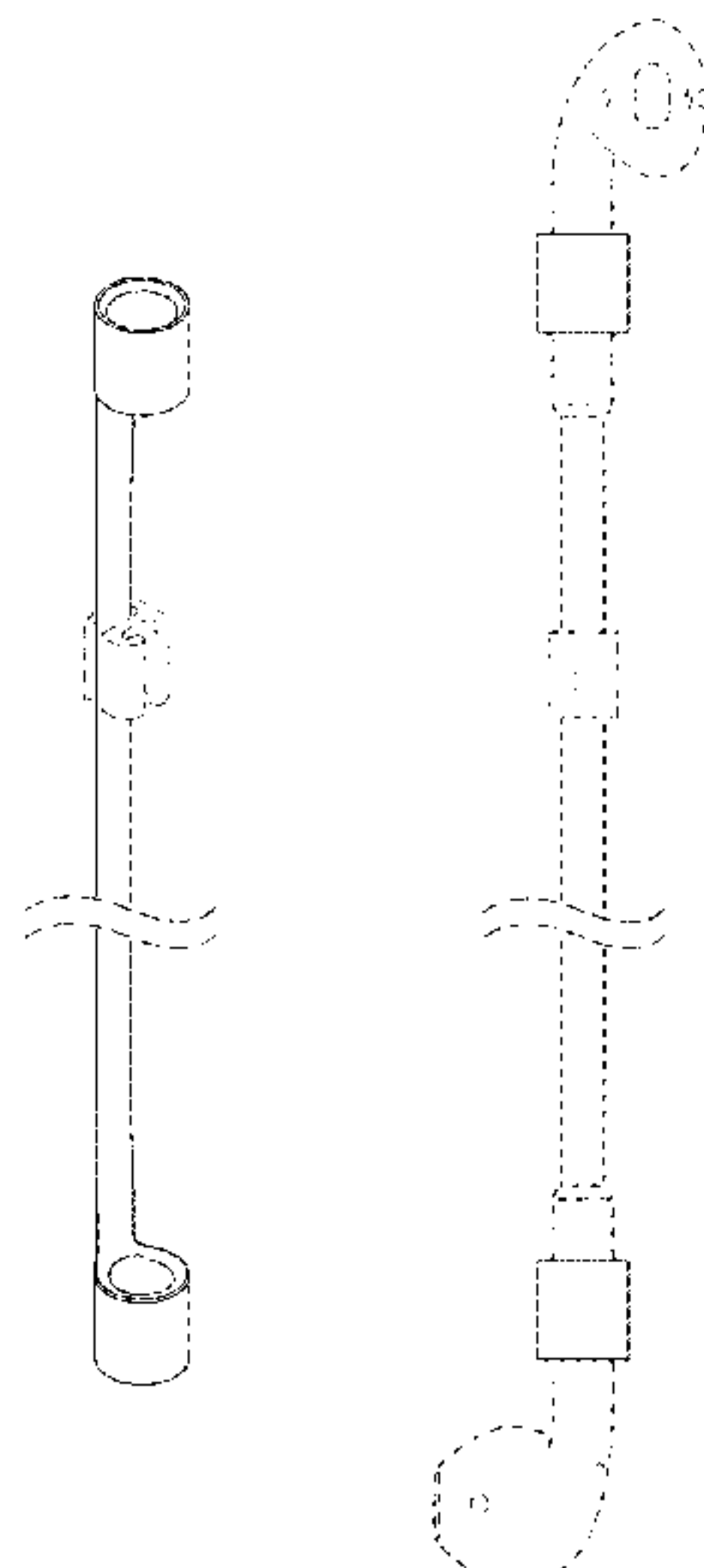
**DESCRIPTION**

FIG. 1 is a front perspective view of a holding strap for wireless ear-bud style earpieces, showing my new design; FIG. 2 is a rear perspective view thereof; FIG. 3 is a front elevational view thereof; FIG. 4 is a rear elevational view thereof; FIG. 5 is a left side elevational view thereof; FIG. 6 is a right side elevational view thereof; FIG. 7 is a top plan view thereof; FIG. 8 is a bottom plan view thereof; FIG. 9 is a right side elevational view thereof with stems of the wireless ear-bud style earpieces separated from the holding strap; and, FIG. 10 is a right side elevational view thereof with the stems of the wireless ear-bud style earpieces received in the holding strap.

The holding strap for wireless ear-bud style earpiece is shown with a symbolic break in its length. The appearance of any portion of the article between the break lines form no part of the claimed design.

The broken lines shown in the drawings depict portions of the holding strap for ear-bud style earpieces that form no part of the claim. The broken line showing the earpieces in FIGS. 9 and 10 depicts environment and forms no part of the claimed design.

**1 Claim, 10 Drawing Sheets**



(56)

References Cited

U.S. PATENT DOCUMENTS

D620,482 S \* 7/2010 Chen ..... D14/225  
 D641,883 S 7/2011 Nielsen  
 D662,913 S 7/2012 Birger  
 8,345,913 B2 1/2013 Pang et al.  
 D685,343 S \* 7/2013 Fletcher ..... D14/205  
 D685,764 S 7/2013 Coulter  
 D686,189 S 7/2013 Lu  
 D692,408 S 10/2013 Dugger et al.  
 D692,852 S 11/2013 DeLeonardis  
 D703,634 S 4/2014 Han  
 8,708,091 B2 4/2014 Barwacz  
 D704,676 S 5/2014 Krisztal  
 D712,371 S 9/2014 Henning  
 D717,274 S 11/2014 Burgett et al.  
 D718,272 S 11/2014 Clayton et al.  
 D727,878 S \* 4/2015 Newhart ..... D14/224  
 D729,806 S \* 5/2015 Park ..... D14/433

D733,142 S \* 6/2015 Solomon ..... D14/433  
 9,155,661 B2 10/2015 Barwacz  
 D746,291 S \* 12/2015 Solomon ..... D14/433  
 D761,262 S \* 7/2016 Solomon ..... D14/433  
 D767,532 S \* 9/2016 Jen ..... D14/205  
 D772,196 S 11/2016 Choi et al.  
 D788,112 S \* 5/2017 Liao ..... D14/433  
 2008/0159577 A1 \* 7/2008 Smith ..... H04M 1/05  
 381/361  
 2017/0064430 A1 \* 3/2017 Zheng ..... H04R 1/1041

OTHER PUBLICATIONS

Spigen's AirPods Strap is a \$10 leash for Apple's new AirPods wireless earbuds, posted at Cnet.com, posted on Sep. 12, 2016, site visited Jun. 19, 2017, <<https://www.cnet.com/news/spigen-airpod-strap-is-a-10-leash-for-your-airpods/>>.\*

\* cited by examiner

FIG. 1

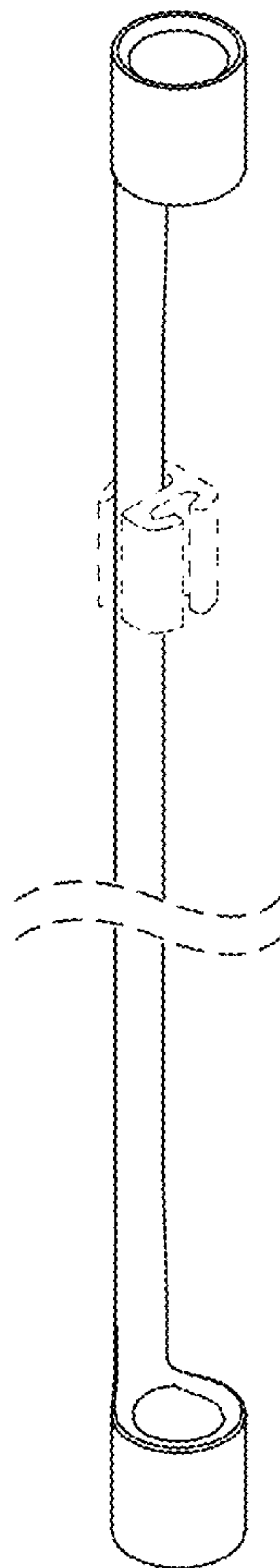


FIG. 2

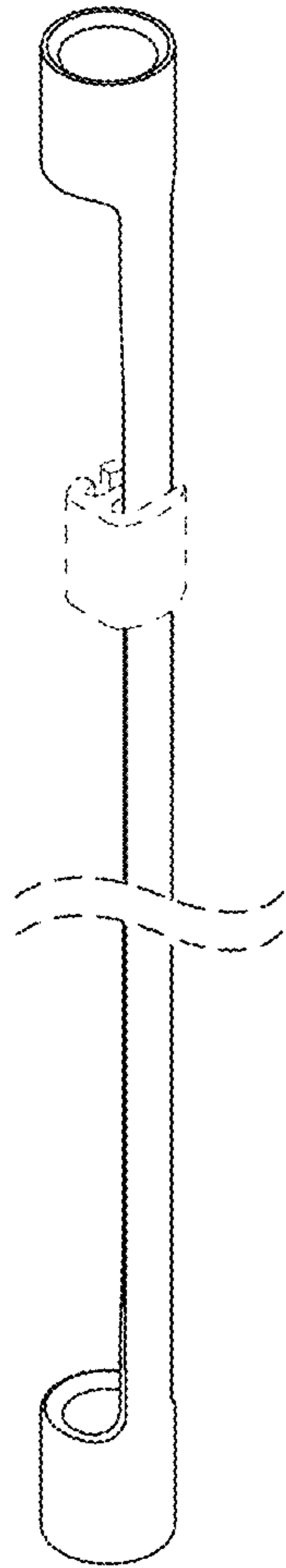


FIG. 3

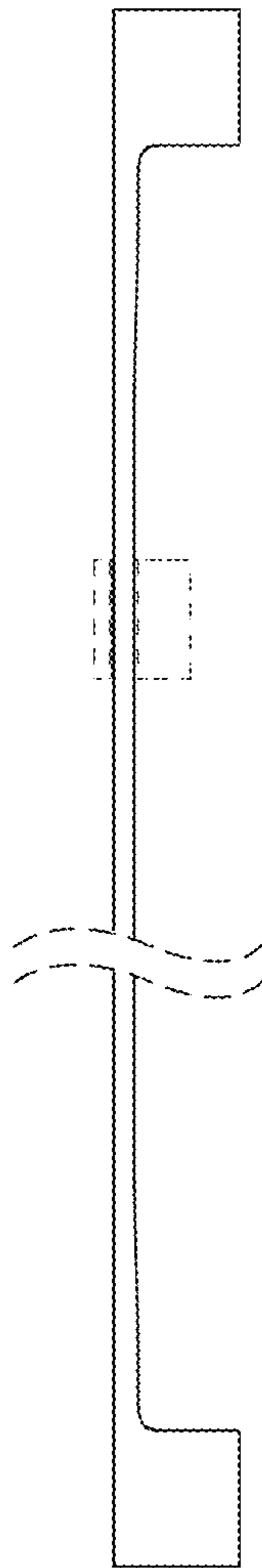


FIG. 4

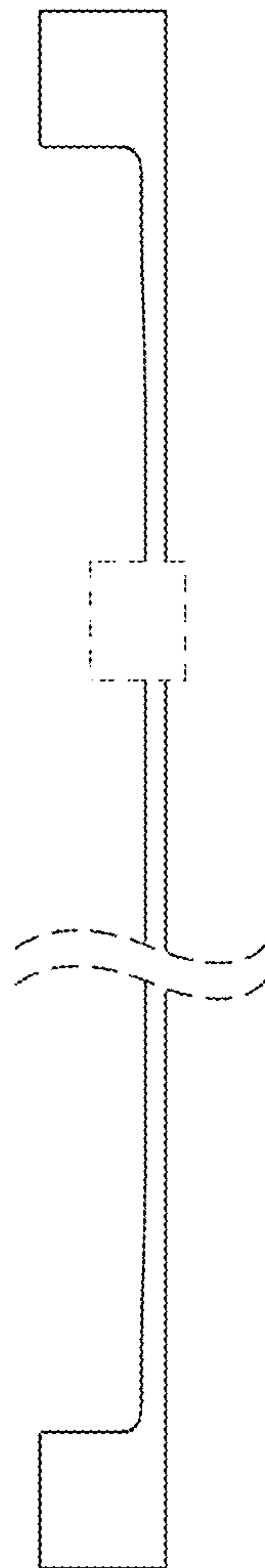


FIG. 5

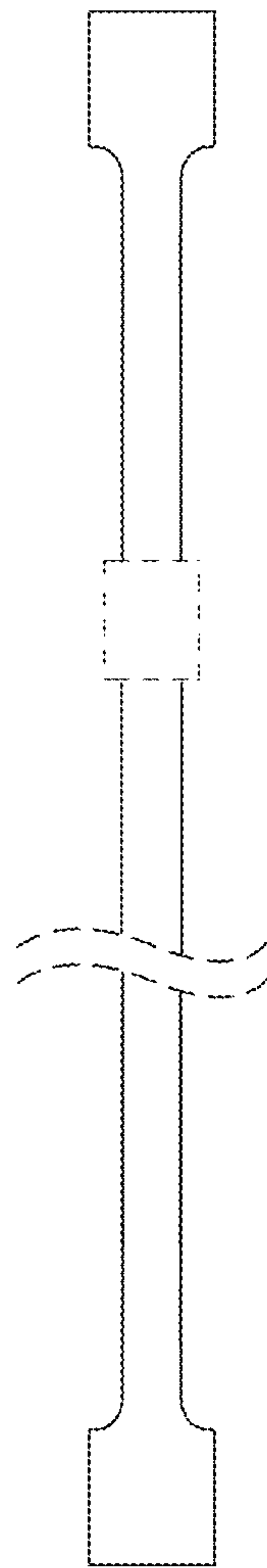


FIG. 6

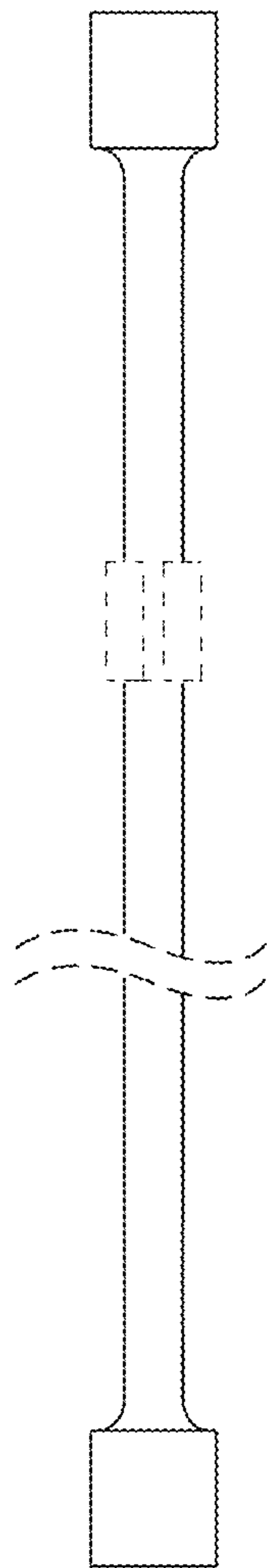




FIG. 7



FIG. 8



FIG. 9

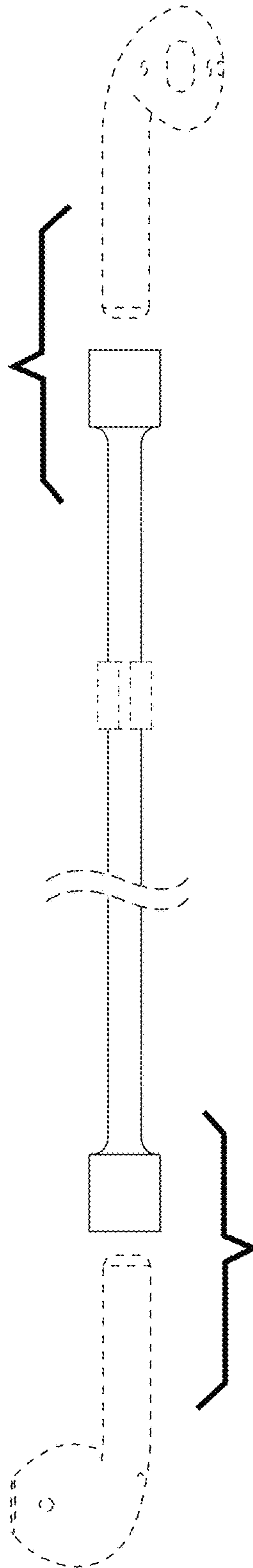


FIG. 10

