



US00D818992S

(12) **United States Design Patent** (10) **Patent No.:** **US D818,992 S**
Marks et al. (45) **Date of Patent:** **** May 29, 2018**

(54) **LOUDSPEAKER**

(71) Applicant: **B & W GROUP LTD**, West Sussex (GB)
(72) Inventors: **Steven William Marks**, West Sussex (GB); **Thomas O'Brien**, Hove (GB); **Martial André Rousseau**, Sussex (GB)
(73) Assignee: **B & W GROUP LTD**, West Sussex (GB)
(**) Term: **15 Years**
(21) Appl. No.: **29/541,058**
(22) Filed: **Sep. 30, 2015**

(30) **Foreign Application Priority Data**

Mar. 31, 2015 (EM) 002673418-0001
Mar. 31, 2015 (EM) 002673418-0002
(Continued)

(51) **LOC (11) Cl.** **14-03**
(52) **U.S. Cl.**

USPC **D14/222**
(58) **Field of Classification Search**
USPC D14/167, 168, 170-172, 188, 194-196, D14/204, 207, 209.1, 210-216, 219, 221,
(Continued)

(56) **References Cited**

U.S. PATENT DOCUMENTS

D230,276 S * 2/1974 Duern D14/219
4,140,203 A 2/1979 Niguchi et al.
(Continued)

FOREIGN PATENT DOCUMENTS

GB 1 491 080 A 11/1977
GB 2 427 378 A 12/2006
(Continued)

OTHER PUBLICATIONS

Tannoy Precision 6 Review, Mar. 9, 2013.
(Continued)

Primary Examiner — Keli L Hill
(74) *Attorney, Agent, or Firm* — Buchanan Ingersoll & Rooney PC

(57) **CLAIM**

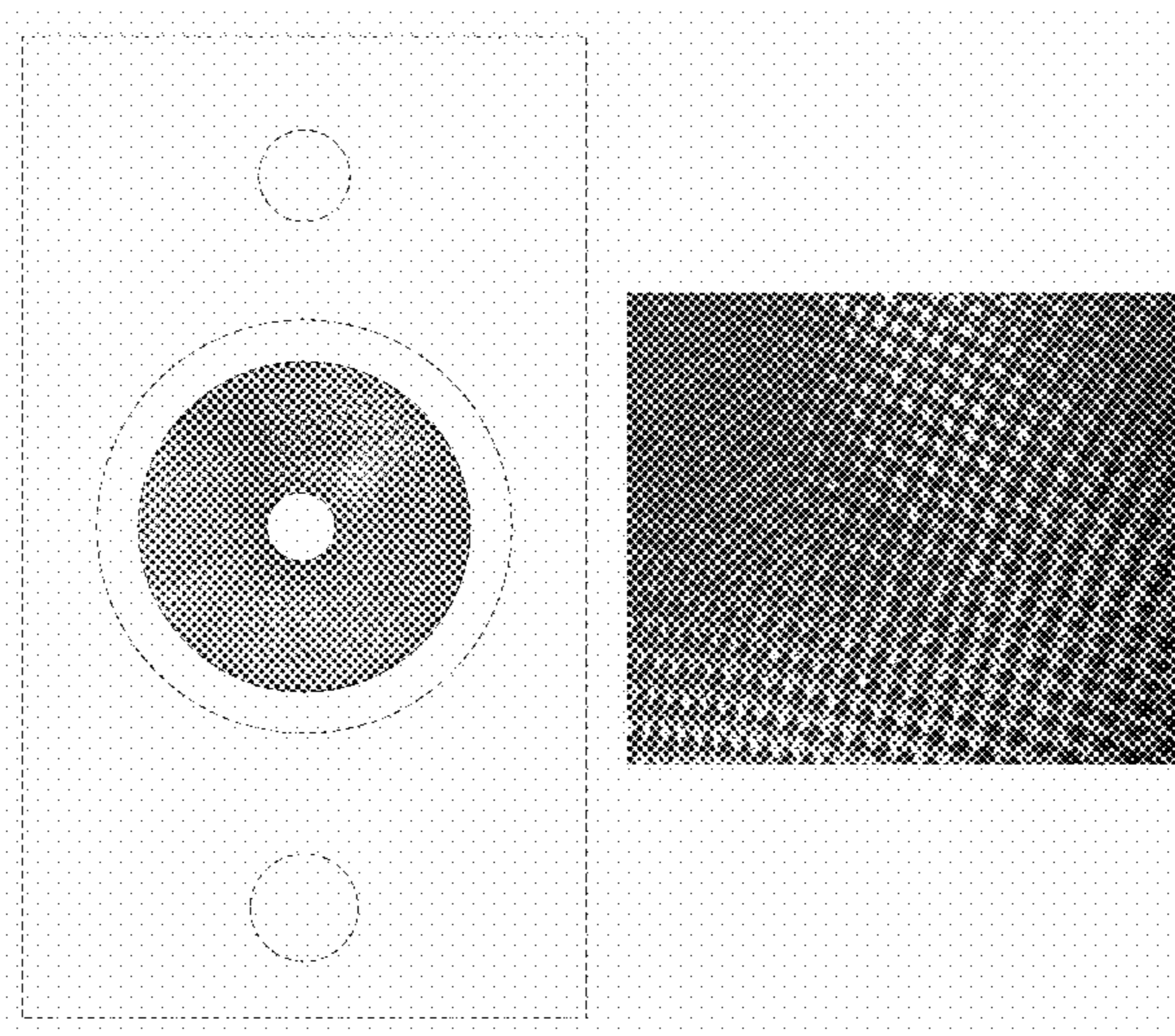
The ornamental design for a loudspeaker, as shown and described.

DESCRIPTION

The file of this patent contains at least one drawing/photograph executed in color. Copies of this patent with color drawing(s)/photograph(s) will be provided by the Office upon request and payment of the necessary fee.

FIG. 1 is a front elevational view of a loudspeaker showing a first embodiment of our new design.
FIG. 2 is a perspective view thereof.
FIG. 3 is a further perspective view thereof.
FIG. 4 is a front elevational view of a loudspeaker showing a second embodiment of our new design.
FIG. 5 is a perspective view thereof.
FIG. 6 is a further perspective view thereof.
FIG. 7 is a front elevational view of a loudspeaker showing a third embodiment of our new design.
FIG. 8 is a perspective view thereof.
FIG. 9 is a further perspective view thereof; and,
FIG. 10 is an enlarged view showing the woven pattern of a portion of the loudspeaker shown in FIG. 1.
The broken line showing of the loudspeaker surround is for environmental purposes only and forms no part of the design.

1 Claim, 10 Drawing Sheets
(6 of 10 Drawing Sheet(s) Filed in Color)



(30) **Foreign Application Priority Data**

Mar. 31, 2015 (EM) 002673418-0003
 Mar. 31, 2015 (EM) 002673418-0004

(58) **Field of Classification Search**

USPC D14/222, 224, 239, 496; 181/143, 144,
 181/147, 148, 150, 153, 157, 198, 199;
 381/300-303, 306, 332, 333, 336, 345,
 381/361-364, 386-388; 369/6-12
 CPC B60R 11/0217; G06F 1/1688; G10K 9/22;
 G10K 11/004; H03F 1/327; H04M 1/03;
 H04M 1/035; H04N 5/642; H04N
 21/4852; H04R 1/02; H04R 1/06; H04R
 1/021; H04R 1/025; H04R 1/026; H04R
 1/028; H04R 1/105; H04R 1/323; H04R
 1/403; H04R 1/2803; H04R 1/2834;
 H04R 5/02; H04R 7/20; H04R 9/06;
 H04R 9/025; H04R 2201/021; H04R
 2400/00; H04R 2400/07; H04R 2499/11;
 H04R 2499/13; H04R 2499/15; H04S
 3/00; H04S 7/30

See application file for complete search history.

(56) **References Cited**

U.S. PATENT DOCUMENTS

5,467,802 A * 11/1995 Lusen H01B 13/01263
 138/123
 5,613,522 A * 3/1997 Ford D03D 3/02
 138/103
 6,079,514 A * 6/2000 Zingali G10K 11/025
 181/152

D462,341 S * 9/2002 Stead D14/221
 D515,066 S * 2/2006 Takagi D14/168
 D515,552 S * 2/2006 Esslinger D14/168
 D518,813 S * 4/2006 Hirano D14/168
 D567,224 S * 4/2008 Laituri D14/216
 D608,348 S * 1/2010 Gahm D14/216
 D632,671 S * 2/2011 Wada D14/216
 D678,906 S * 3/2013 Lee D14/203.3
 D703,656 S * 4/2014 Witter D14/250
 D710,829 S * 8/2014 Loudon D14/219
 D716,271 S * 10/2014 Kang D14/214
 D724,055 S * 3/2015 Tice D14/216
 D729,211 S * 5/2015 Huang D14/222
 D733,688 S * 7/2015 Han D14/210
 D734,806 S * 7/2015 Boerup D16/237
 2009/0175487 A1 * 7/2009 Tsuchiya H04R 7/14
 381/425

FOREIGN PATENT DOCUMENTS

JP 63-187900 A 8/1988
 JP 11-262086 A 9/1999

OTHER PUBLICATIONS

Monitor Audio Silver Review, Apr. 25, 2014.
 Eclipse TD-M1 Tech Radar Review, Jul. 31, 2014.
 Kevlar: Bowers & Wilkins' cone material of choice since 1974 and
 with good reason, Extract from <https://web.archive.org/web/20101114195443/http://www.bowerswilkins.co.uk/Discover/Discover/Technologies/Kevlar.html> , pp. 16-17, Nov. 14, 2010.
 Warfedale Diamond 10.0 Review, Feb. 14, 2010.
 Search Report dated Aug. 17, 2015 by the British Patent Office for
 corresponding Application No. 1509347.9.

* cited by examiner

FIG. 1

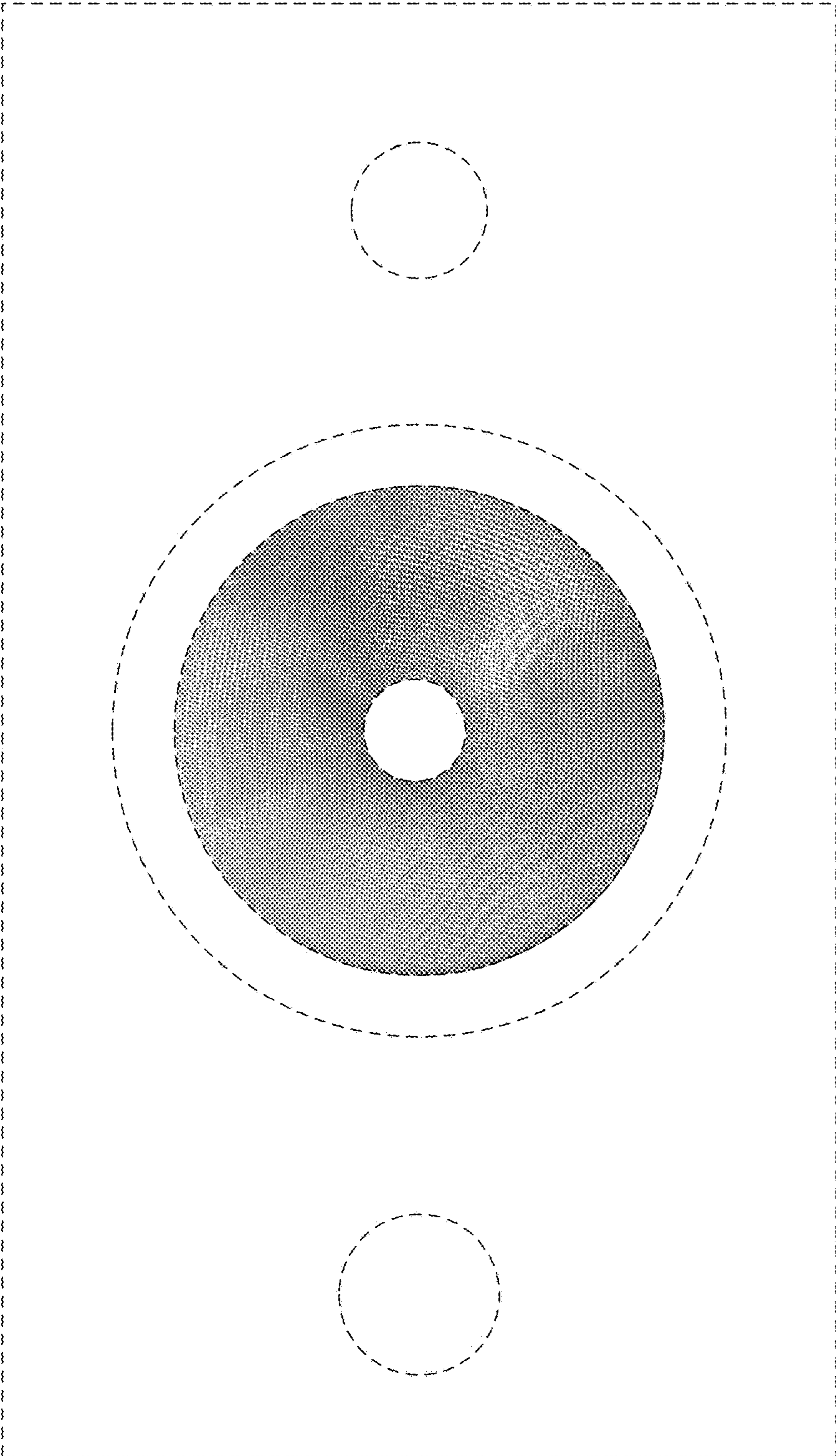


FIG. 2

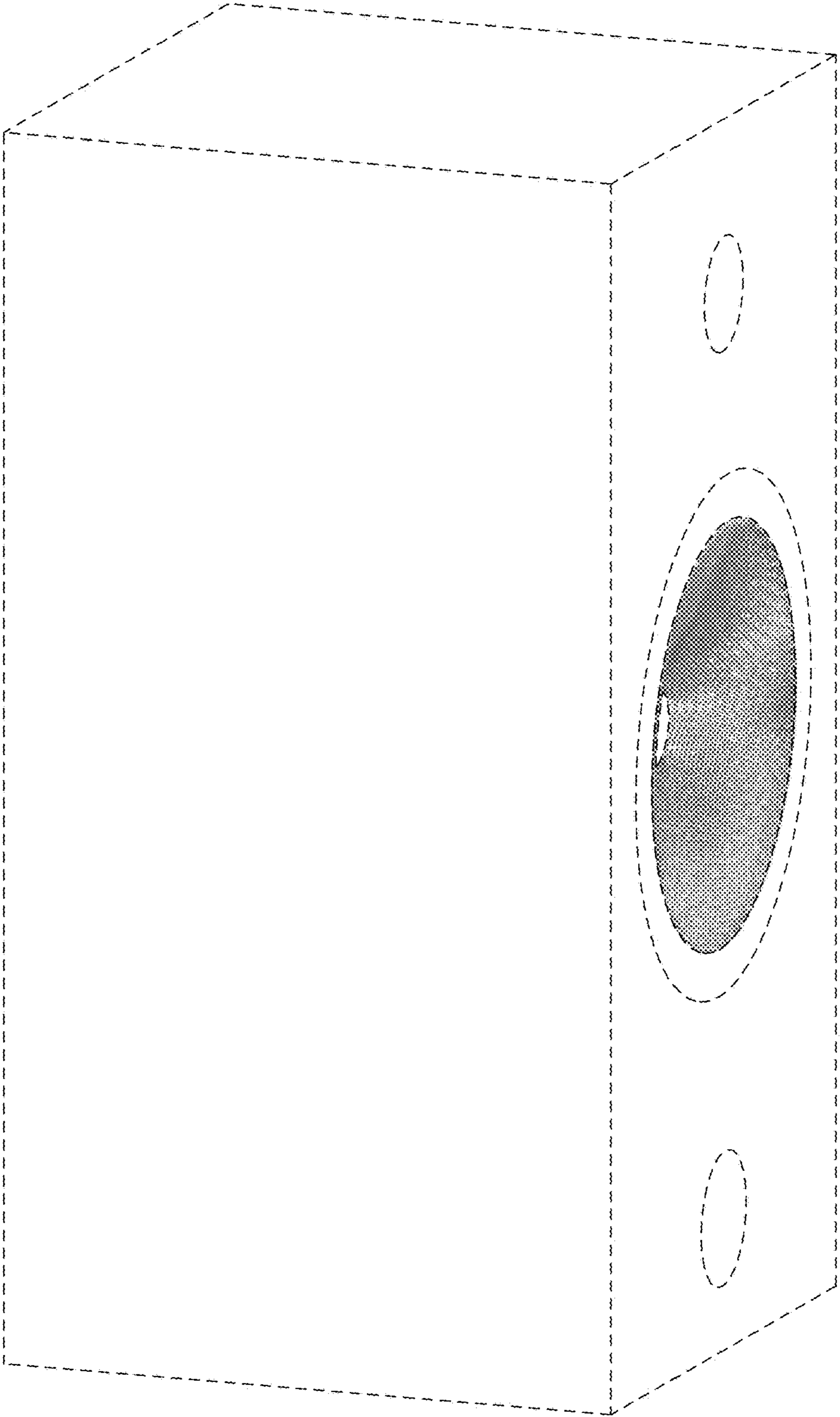


FIG. 3

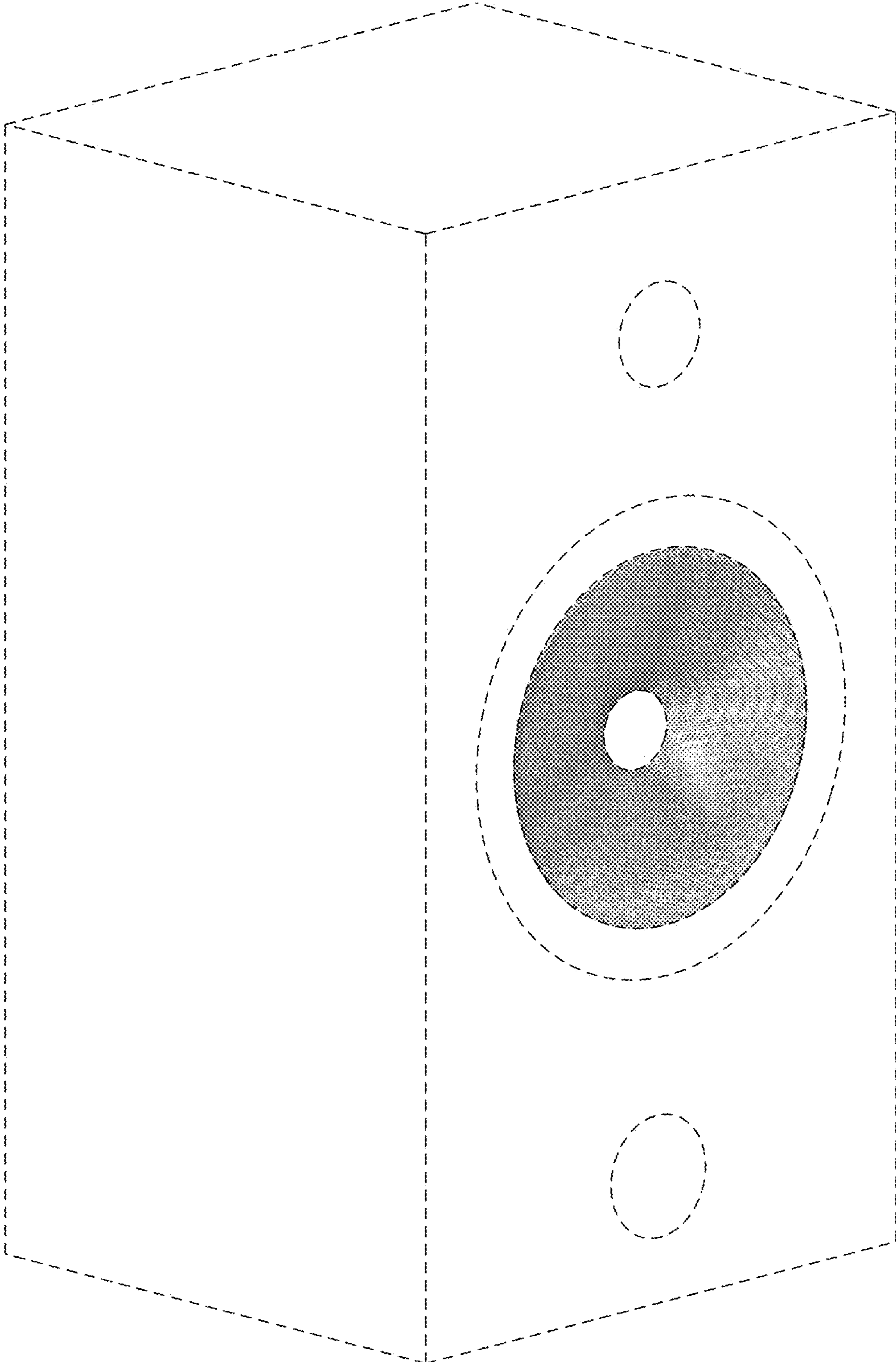


FIG. 4

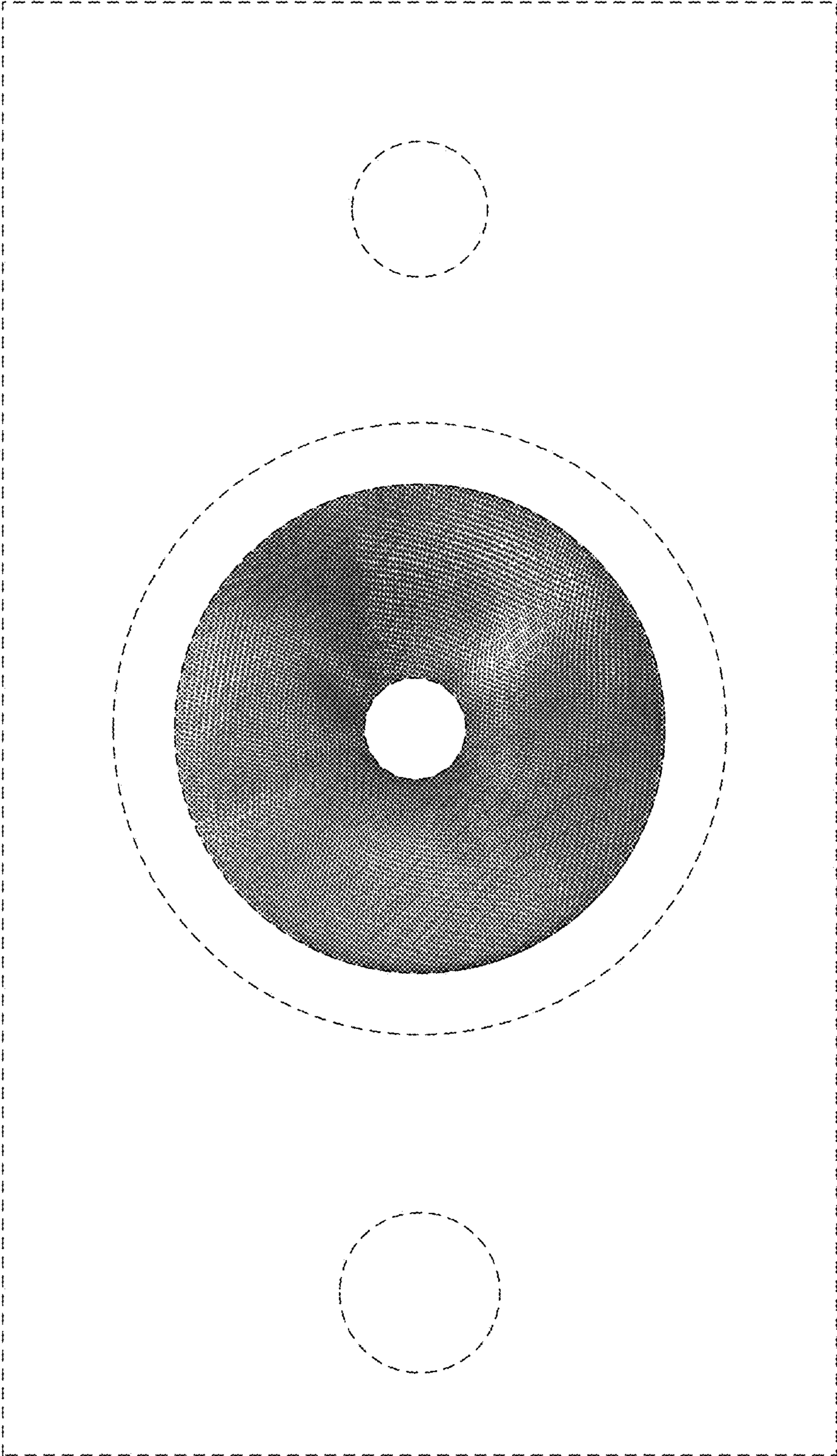


FIG. 5

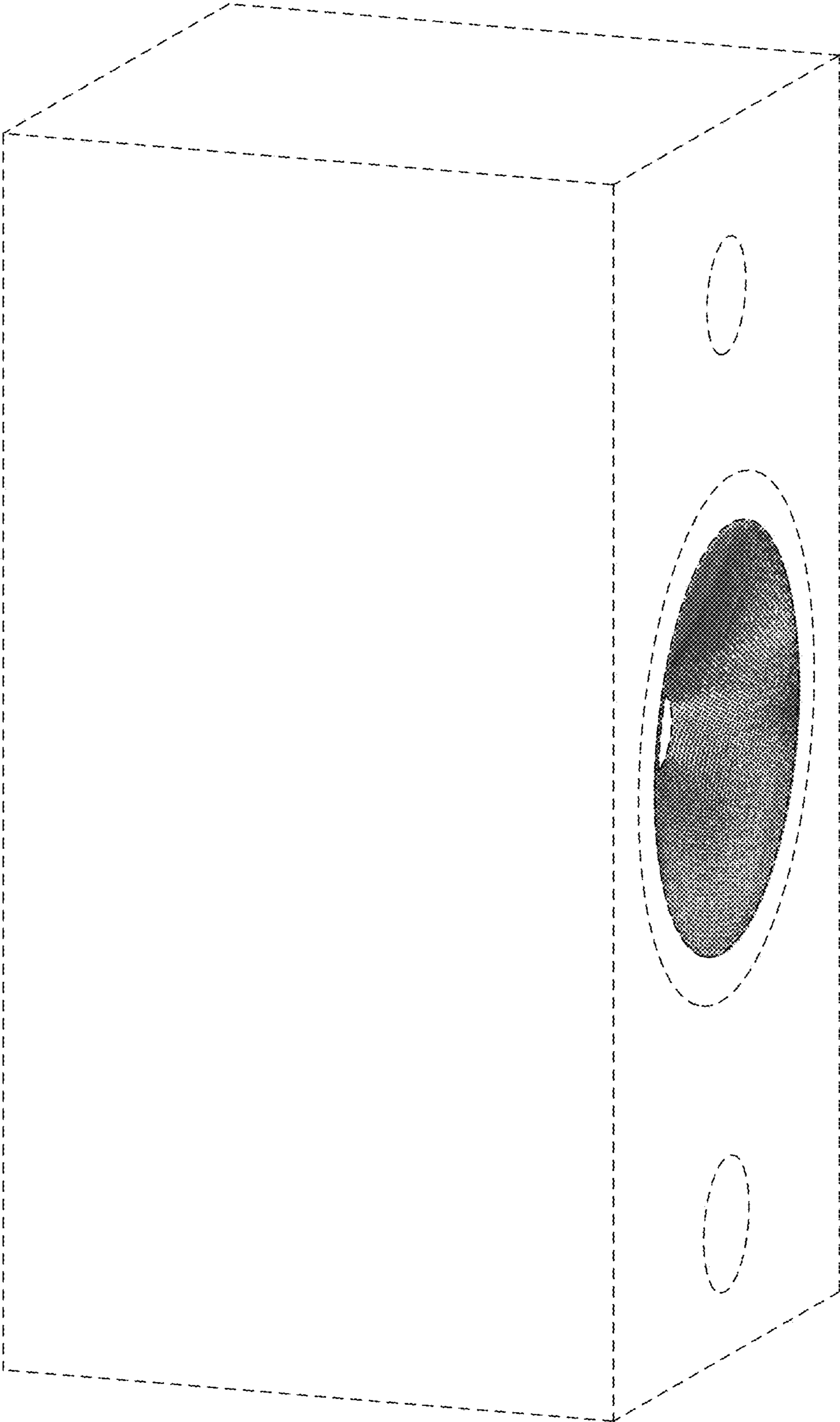


FIG. 6

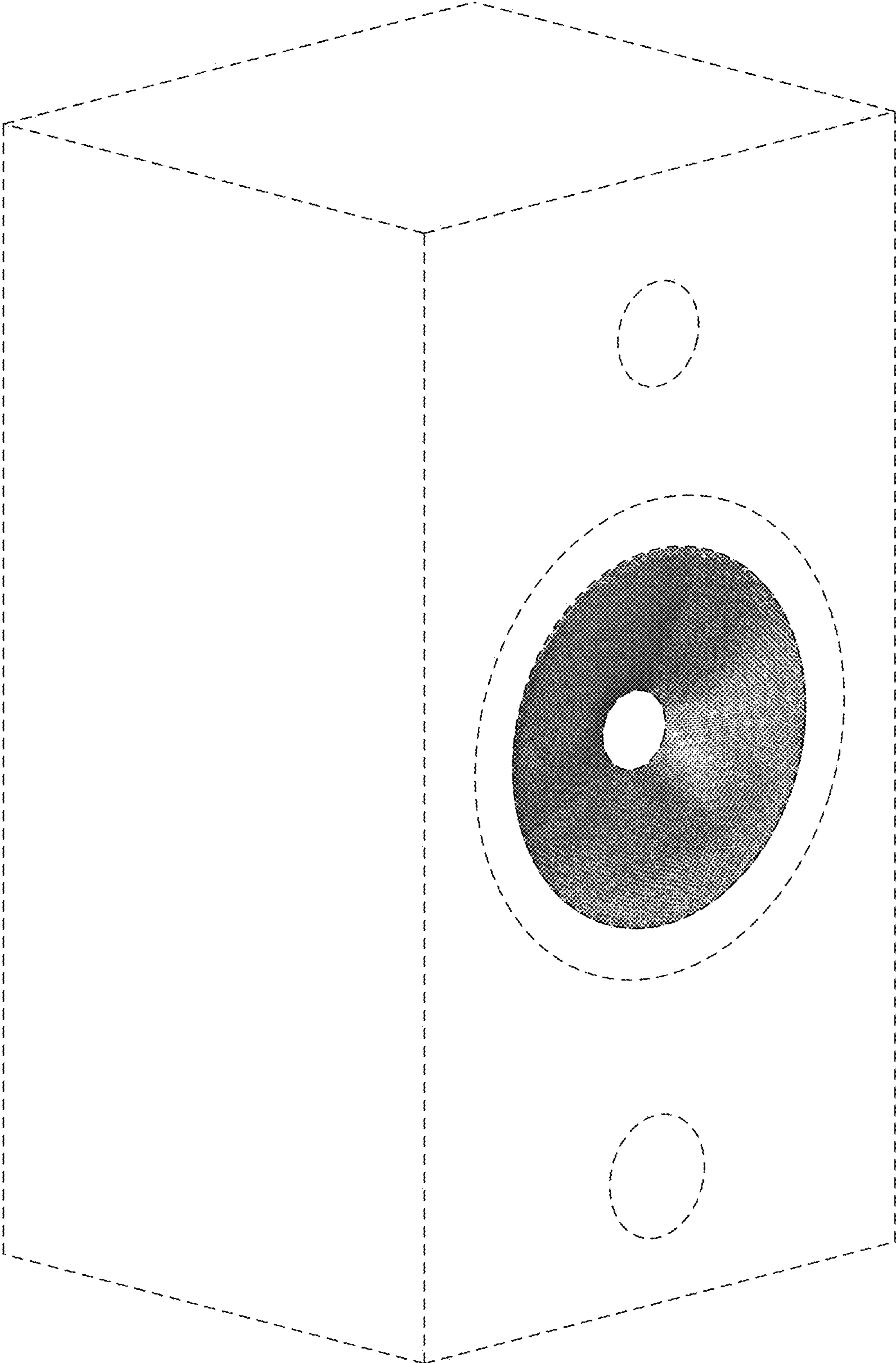


FIG. 7

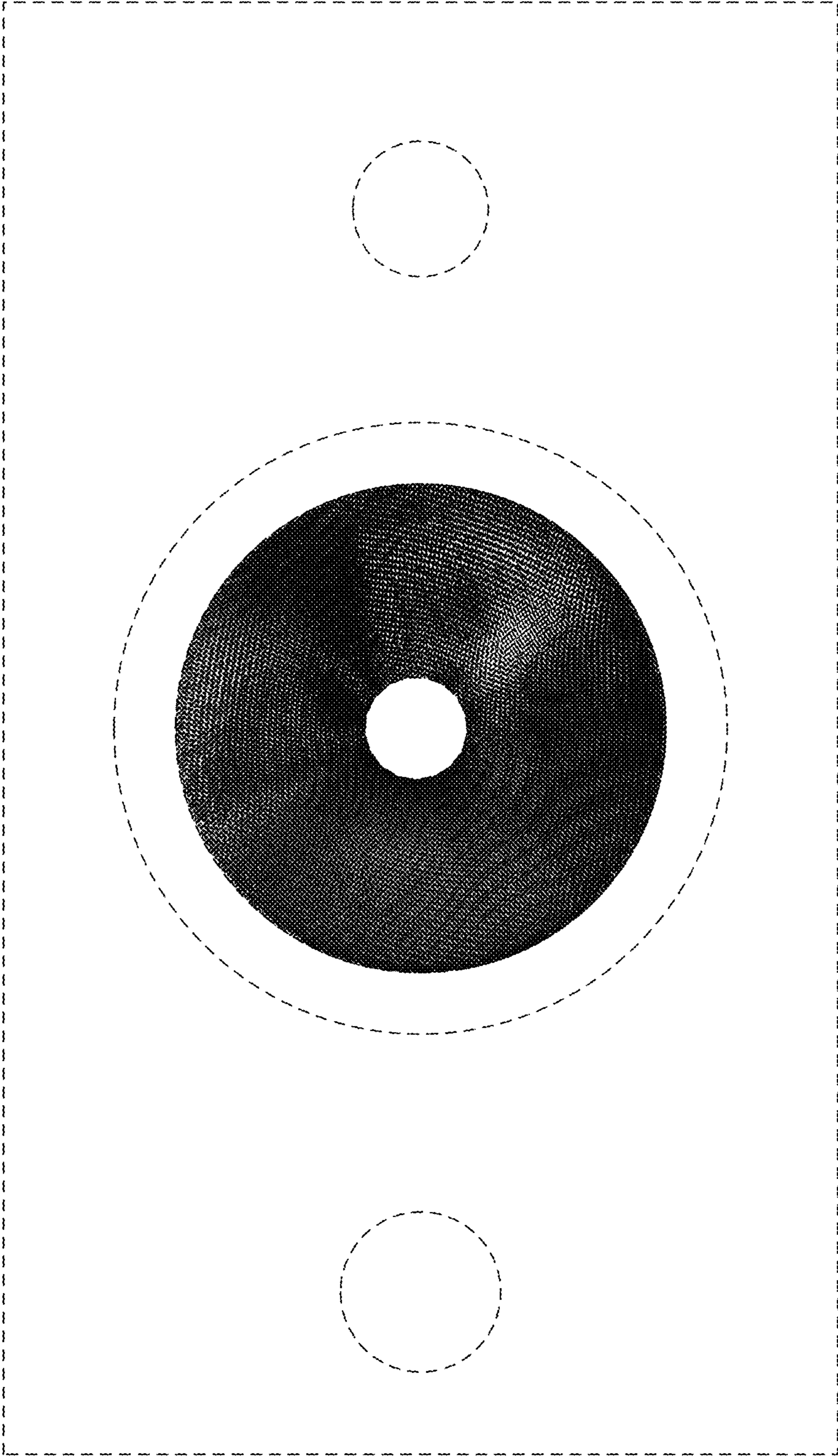


FIG. 8

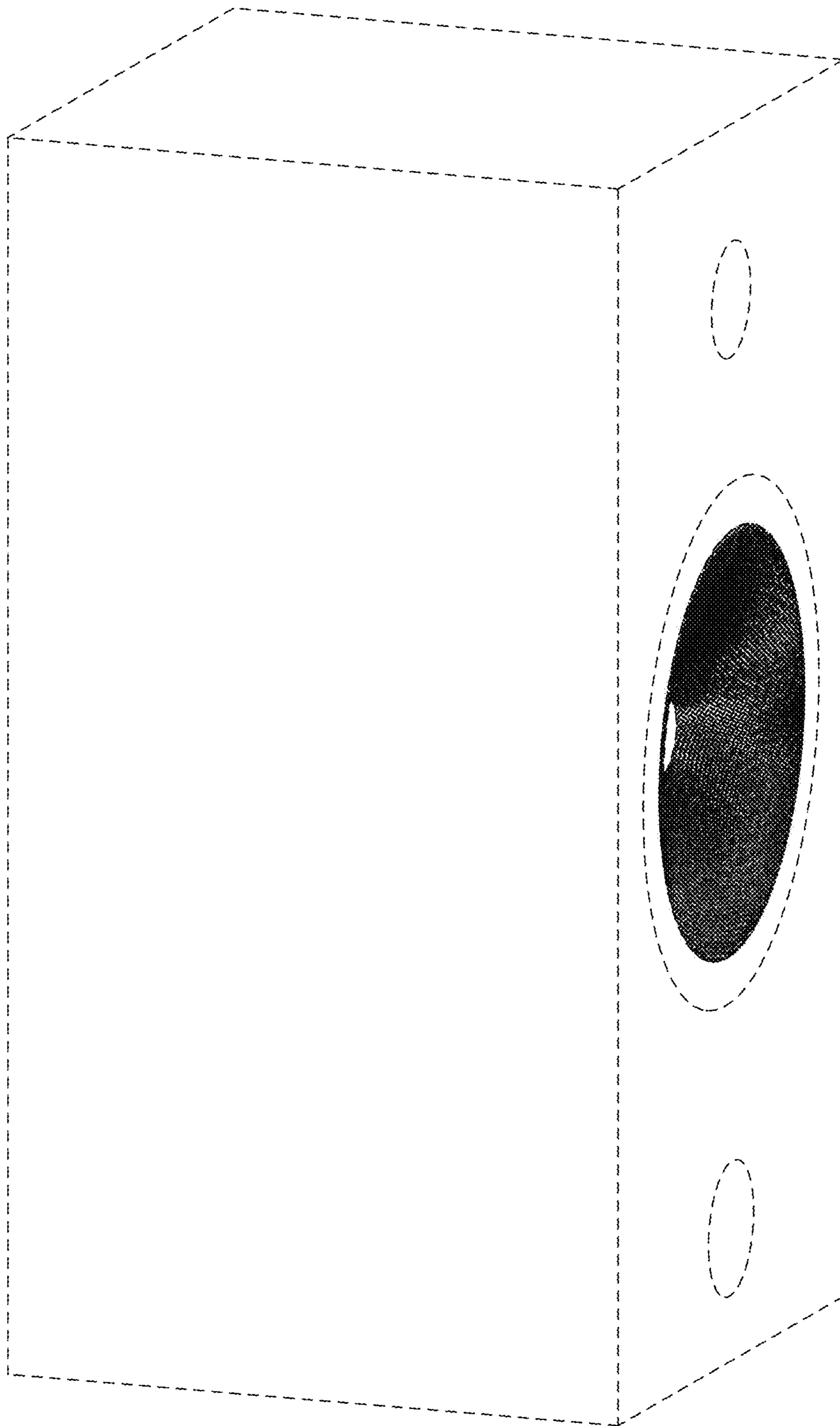


FIG. 9

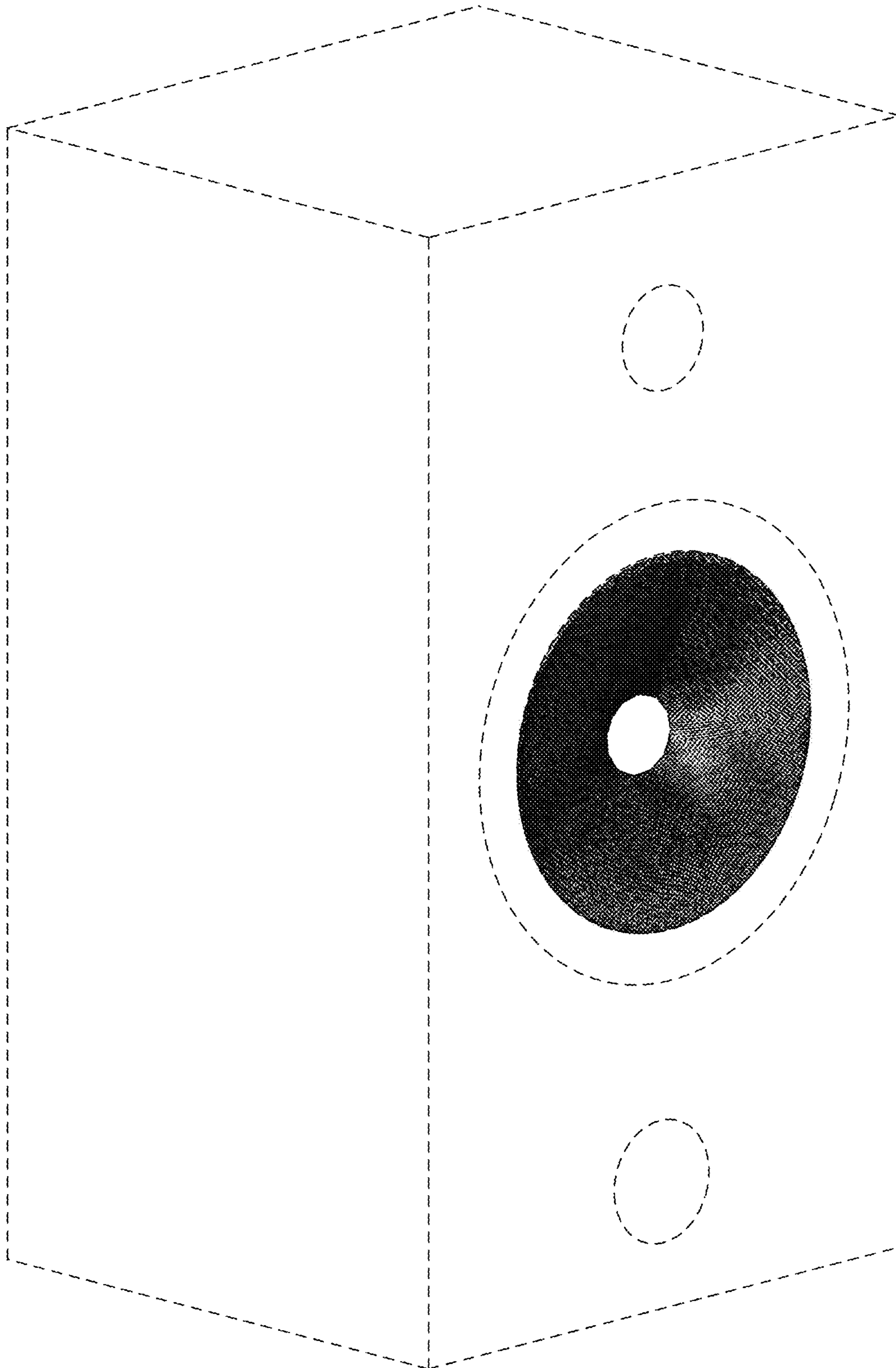


FIG. 10

