



US00D818990S

(12) **United States Design Patent**
Tzeng et al.

(10) **Patent No.:** **US D818,990 S**
(45) **Date of Patent:** **** May 29, 2018**

(54) **PAIR OF EARPHONES**
(71) Applicant: **Kingston Digital, Inc.**, Fountain Valley, CA (US)
(72) Inventors: **Guan Hua Tzeng**, Hsinchu (TW); **Baron King Lee**, Fountain Valley, CA (US); **Wei Min Liang**, Hsinchu (TW); **Pen Hao Ma**, Hsinchu (TW); **Peter Leekuo Chou**, Fountain Valley, CA (US)

(73) Assignee: **Kingston Digital, Inc.**, Fountain Valley, CA (US)

(**) Term: **15 Years**

(21) Appl. No.: **29/589,474**

(22) Filed: **Dec. 30, 2016**

(30) **Foreign Application Priority Data**

Oct. 5, 2016 (TW) 105305983

(51) **LOC (11) Cl.** **14-01**

(52) **U.S. Cl.**
USPC **D14/205**; D14/223

(58) **Field of Classification Search**
USPC D14/205, 223; D24/174, 173, 106; 181/129, 130, 135; 379/430, 431; 381/380, 381, 372, 328, 327, 322; 455/90.3, 575.1, 569.1
CPC H04R 1/1016; H04R 1/10; H04R 25/00; H04R 25/02; H04R 1/1041; H04R 1/105; H04R 1/1091
See application file for complete search history.

(56) **References Cited**

U.S. PATENT DOCUMENTS

3,368,644 A * 2/1968 Henderson G02C 11/06
181/129
4,532,649 A * 7/1985 Bellafiore H04R 25/65
381/324

4,672,672 A * 6/1987 Eggert H04R 25/60
381/321
4,677,675 A * 6/1987 Killion H04R 25/48
181/129
4,736,430 A * 4/1988 Schroder H04R 25/656
381/322
4,893,344 A * 1/1990 Tragardh H04M 1/05
379/430
4,965,838 A * 10/1990 Kamon H04R 1/1016
381/322

(Continued)

Primary Examiner — Paula Allen Greene

(74) *Attorney, Agent, or Firm* — Skaar Ulbrich Macari, P.A.

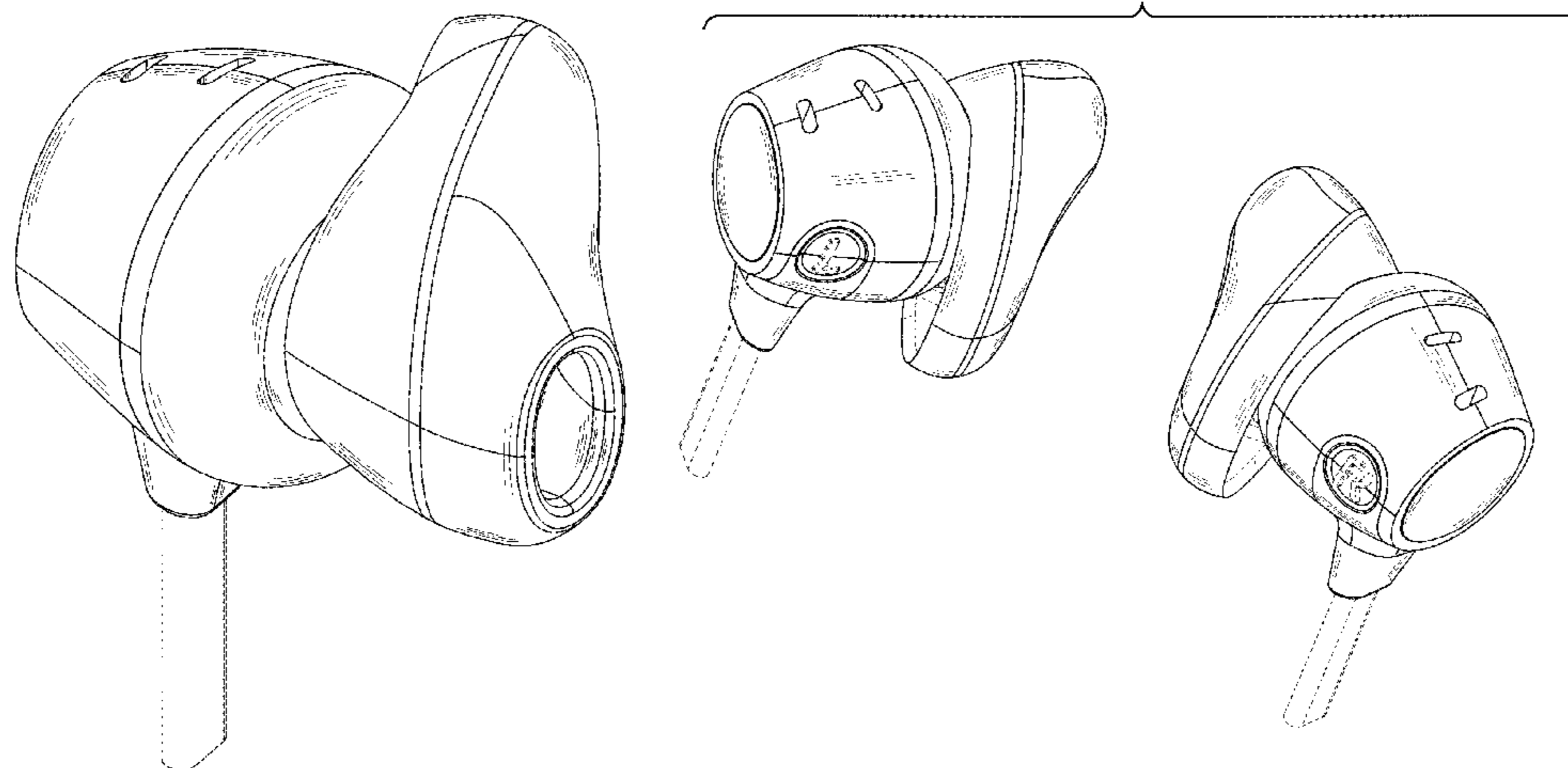
(57) **CLAIM**

We claim an ornamental design for a pair of earphones, as shown and described.

DESCRIPTION

FIG. 1 is a perspective view of one earphone of a pair of earphones showing the new design;
FIG. 2 is another perspective view of FIG. 1;
FIG. 3 is another perspective view of FIG. 1;
FIG. 4 is another perspective view of FIG. 1;
FIG. 5 is another perspective view of FIG. 1;
FIG. 6 is another perspective view of FIG. 1;
FIG. 7 is a front elevational view of FIG. 1;
FIG. 8 is a rear elevational view of FIG. 1;
FIG. 9 is a left side elevational view of FIG. 1;
FIG. 10 is a right side elevational view of FIG. 1;
FIG. 11 is a top plan view of FIG. 1;
FIG. 12 is a bottom plan view of FIG. 1; and,
FIG. 13 is a perspective view of the pair of earphones showing the new design, one earphone is a mirror image of the other.
The broken lines in the figures depict environment that forms no part of the claimed design.

1 Claim, 13 Drawing Sheets



(56)

References Cited

U.S. PATENT DOCUMENTS

- 4,972,492 A * 11/1990 Tanaka H04R 1/1016
181/130
D316,550 S * 4/1991 Sogabe D14/168
D331,057 S * 11/1992 Isonaga D14/205
D331,061 S * 11/1992 Hyohgo D14/223
D337,118 S * 7/1993 Seikita D14/223
D337,589 S * 7/1993 Wada D14/223
D344,800 S * 3/1994 Lamby D24/174
D353,379 S * 12/1994 Nakamura D14/223
5,420,935 A * 5/1995 Shinohara H04R 1/1016
379/431
D410,079 S * 5/1999 Falco D24/106
6,122,369 A * 9/2000 Hwang H04M 1/6058
379/420.03
D463,789 S * 10/2002 DeKalb D14/223
D469,753 S * 2/2003 Andre D14/205
6,690,807 B1 * 2/2004 Meyer G02C 5/143
2/12
D488,460 S * 4/2004 Alwicker D14/223
6,731,772 B1 * 5/2004 Byun H04R 1/12
181/130
D499,397 S * 12/2004 Hlas D14/223
D505,132 S * 5/2005 Linville D14/223
D506,744 S * 6/2005 Andre D14/205
D515,070 S * 2/2006 Andre D14/205
D518,008 S * 3/2006 Peng D14/129
D523,846 S * 6/2006 Lee D14/205
D533,868 S * 12/2006 Koizumi D14/223
D540,313 S * 4/2007 Rausch D14/225
D554,109 S * 10/2007 Ledbetter D14/223
D557,689 S * 12/2007 Huang D14/223
D566,687 S * 4/2008 Duarte D14/205
D568,291 S * 5/2008 Andre D14/205
D573,977 S * 7/2008 Ledbetter D14/205
D575,269 S * 8/2008 Ledbetter D14/205
D578,518 S * 10/2008 Ewert D14/223
D579,923 S * 11/2008 Andre D14/205
D587,677 S * 3/2009 Andre D14/205
D589,491 S * 3/2009 Andre D14/205
D589,498 S * 3/2009 Komiyama D14/223
D590,375 S * 4/2009 Komiyama D14/223
D593,537 S * 6/2009 Arimoto D14/205
D596,616 S * 7/2009 Andre D14/205
D599,330 S * 9/2009 Andre D14/223
D601,134 S * 9/2009 Elabidi D14/223
D616,874 S * 6/2010 Matsuoka D14/223
D618,209 S * 6/2010 Andre D14/205
D618,210 S * 6/2010 Andre D14/205
D618,219 S * 6/2010 Burgett D14/223
D622,265 S * 8/2010 Rye D14/223
D626,948 S * 11/2010 Nault D14/223
D627,766 S * 11/2010 Arimoto D14/223
D628,193 S * 11/2010 Zheng D14/223
D632,282 S * 2/2011 Kitayama D14/223
D633,086 S * 2/2011 Chen D14/223
D635,960 S * 4/2011 Gondo D14/223
D639,279 S * 6/2011 Andre D14/223
D641,738 S * 7/2011 Perez D14/223
D652,823 S * 1/2012 Chen D14/223
D656,481 S * 3/2012 McManigal D14/205
- D662,493 S * 6/2012 Chen D14/223
D662,495 S * 6/2012 Andre D14/223
D664,523 S * 7/2012 Naitou D14/223
D666,580 S * 9/2012 Lee D14/223
D669,058 S * 10/2012 Lee D14/223
D669,453 S * 10/2012 Katsuraku D14/223
D674,781 S * 1/2013 Sakata D14/223
D675,194 S * 1/2013 Andre D14/205
8,345,912 B2 * 1/2013 Akihiko H04R 1/105
379/430
D676,427 S * 2/2013 Yang D14/223
8,391,533 B2 * 3/2013 Sim H04R 1/1041
381/380
D681,015 S * 4/2013 Akana H04R 1/10
D14/223
D687,418 S * 8/2013 Godfrey D14/223
D687,419 S * 8/2013 Andre D14/223
8,515,116 B2 * 8/2013 Lee H04R 1/1041
381/338
D691,594 S * 10/2013 Akana D14/223
D694,220 S * 11/2013 Lee D14/223
D706,643 S * 6/2014 Akana D9/432
D707,206 S * 6/2014 Akana H04R 1/10
D14/223
D711,857 S * 8/2014 Burgett D14/223
8,800,712 B2 * 8/2014 Campbell H04R 25/652
181/135
D712,279 S * 9/2014 Akana D9/721
D718,284 S * 11/2014 Shibusawa D14/223
D718,285 S * 11/2014 Shibusawa D14/223
D719,132 S * 12/2014 Toelle D14/205
8,965,030 B2 * 2/2015 Aase H04R 1/1016
381/370
D728,533 S * 5/2015 Poulsen D14/223
D732,007 S * 6/2015 Oksman D14/223
D732,008 S * 6/2015 Akana H04R 1/10
D14/223
D733,101 S * 6/2015 Pi D14/223
D733,689 S * 7/2015 Narita D14/223
D738,864 S * 9/2015 Lee D14/223
D741,287 S * 10/2015 Harata D14/205
D747,295 S * 1/2016 Eastwood D14/223
D755,759 S * 5/2016 Cai D14/223
D757,682 S * 5/2016 Perez D14/205
D770,425 S * 11/2016 Son D14/205
D780,157 S * 2/2017 Uggla D14/205
D801,314 S * 10/2017 Akana D14/223
D810,047 S * 2/2018 Tzeng D14/205
2012/0155692 A1 * 6/2012 Chen H04R 1/1058
381/380
2012/0237074 A1 * 9/2012 Aase H04R 1/1016
381/380
2013/0004011 A1 * 1/2013 Hayashida H04R 1/1016
381/380
2013/0343593 A1 * 12/2013 Howes H04R 1/1016
381/380
2013/0343595 A1 * 12/2013 Zorkendorfer H04R 1/10
381/380
2015/0382100 A1 * 12/2015 Azmi H04R 1/1091
381/380
2017/0164087 A1 * 6/2017 Kurtz H04R 1/1091

* cited by examiner

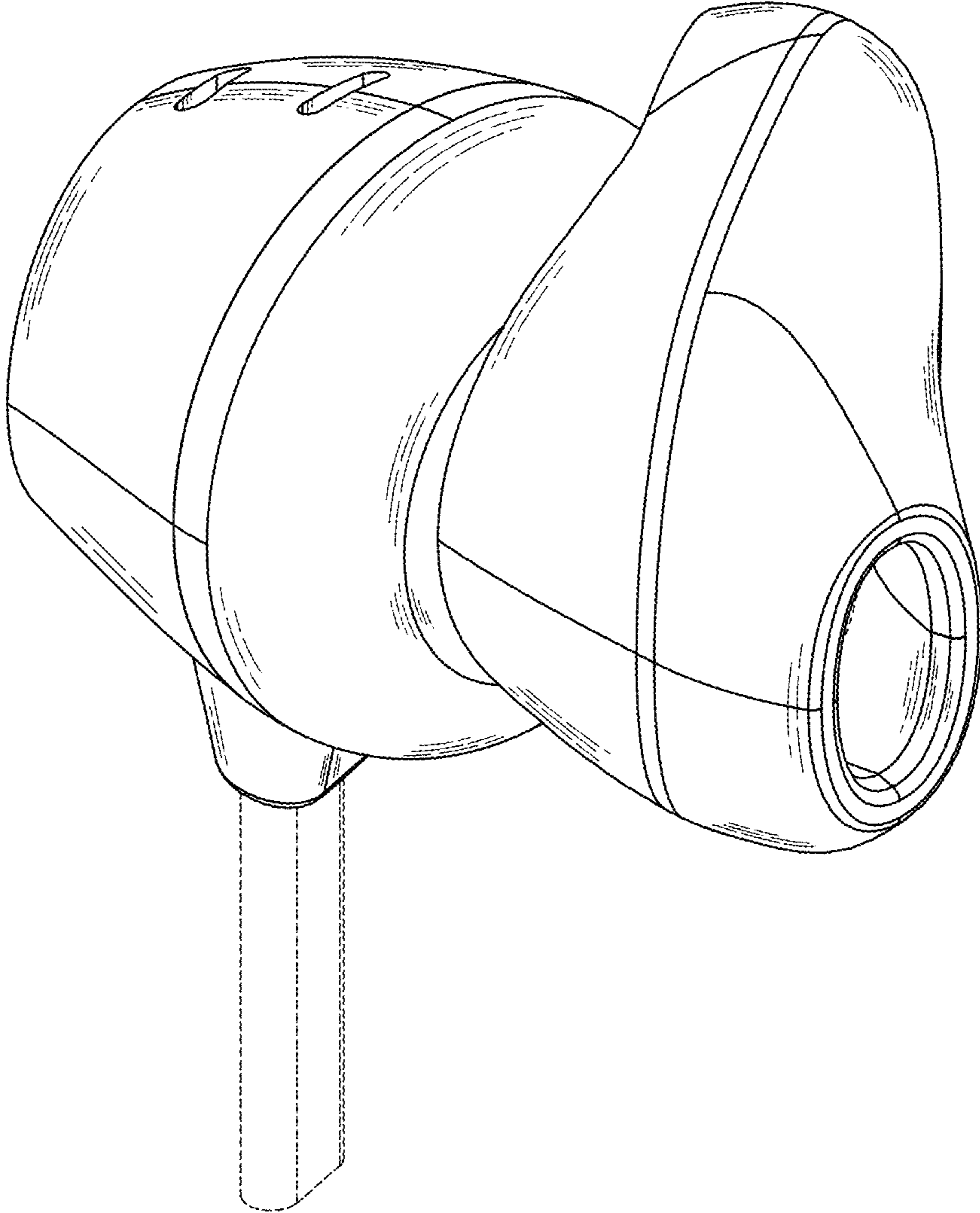


FIG.1

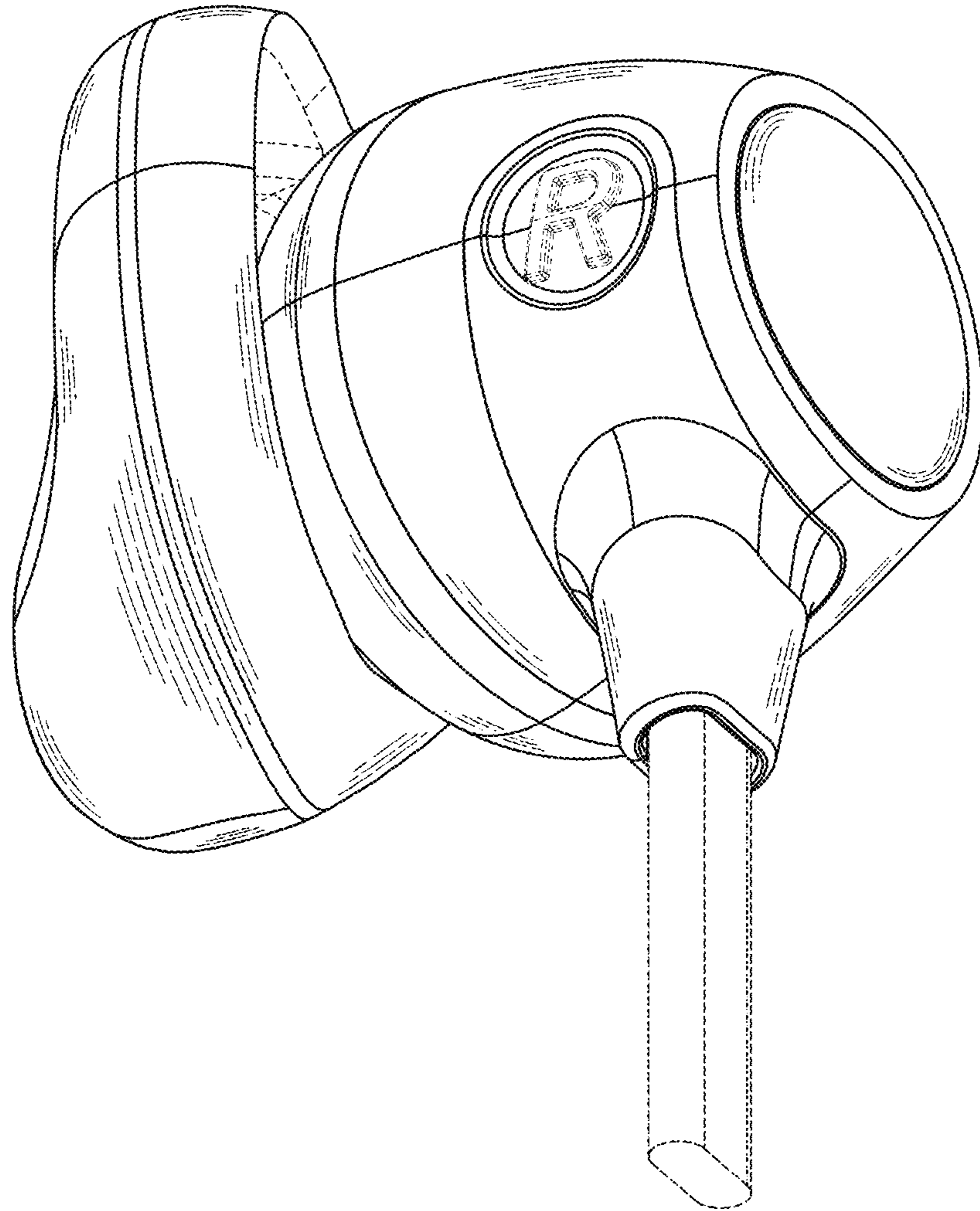


FIG.2

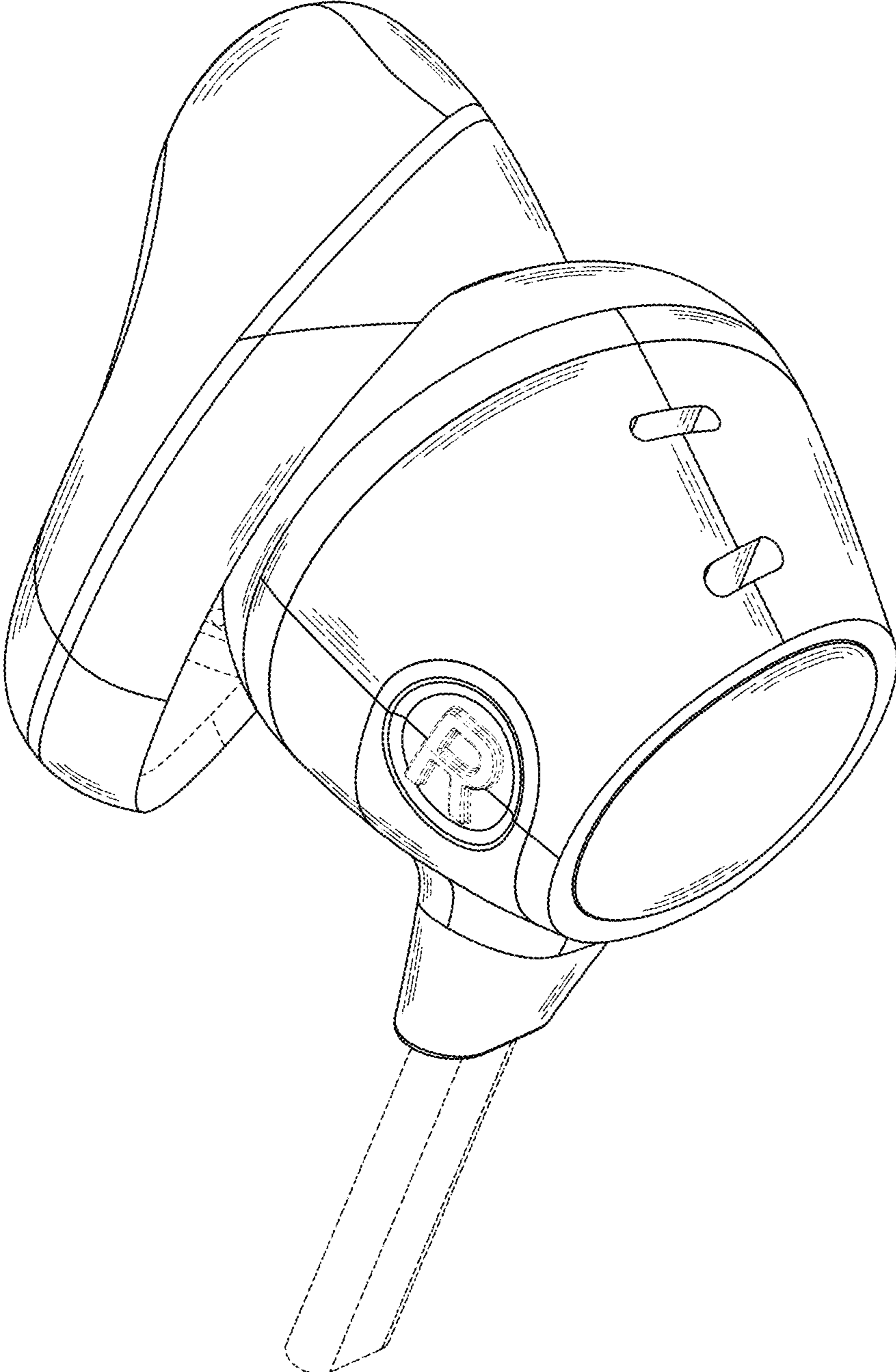


FIG.3

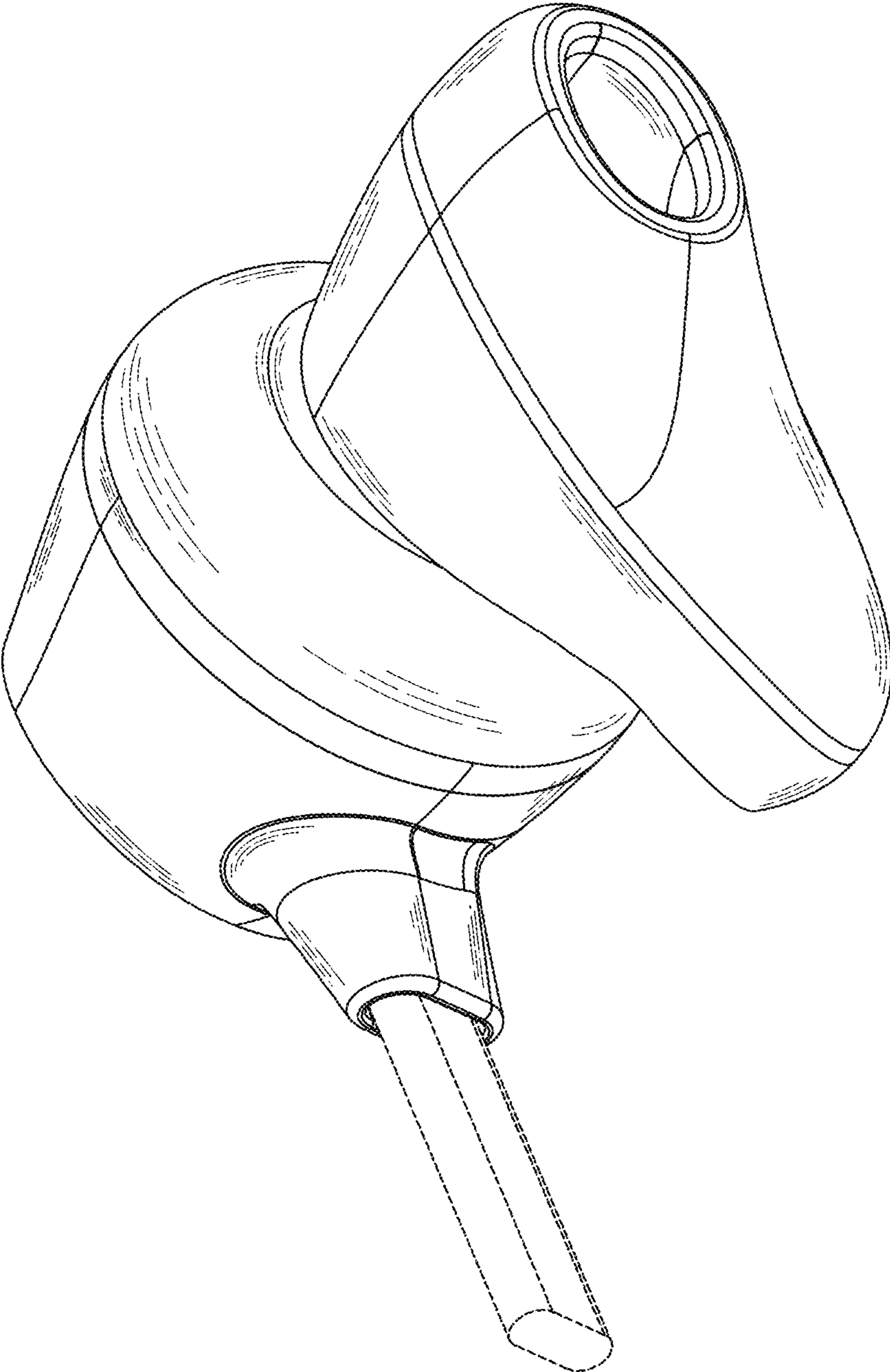


FIG.4

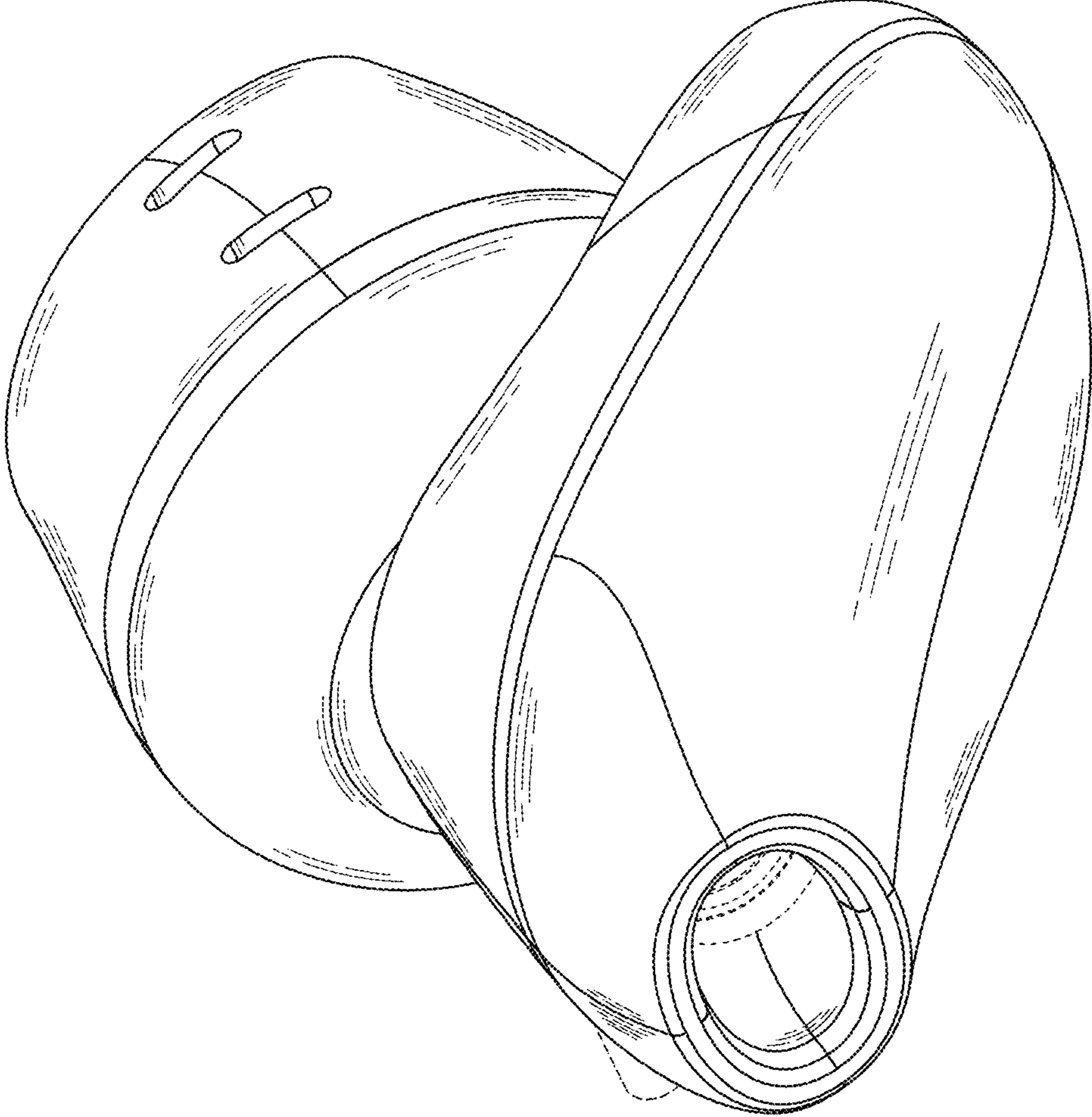


FIG.5

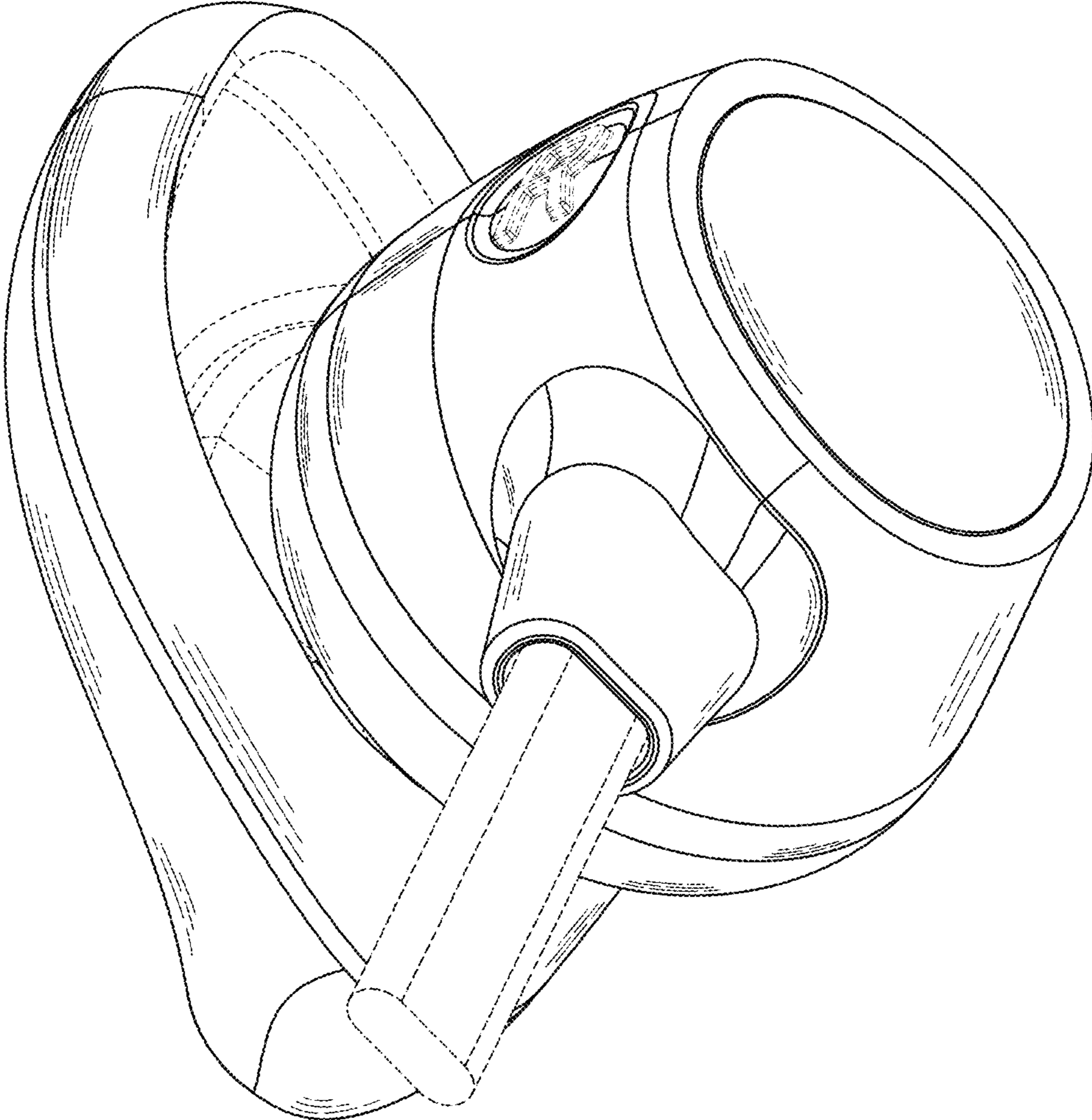


FIG.6

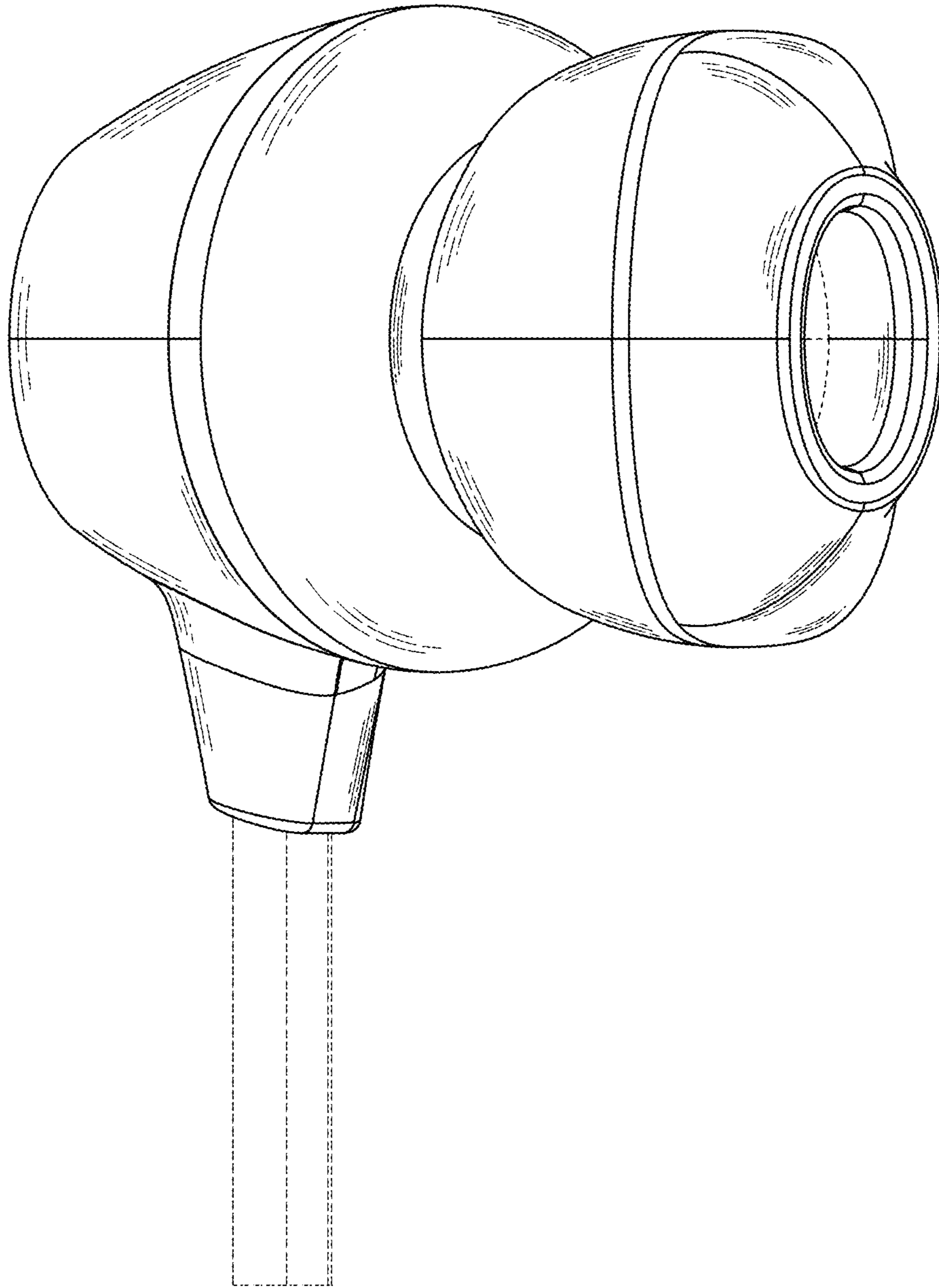


FIG.7

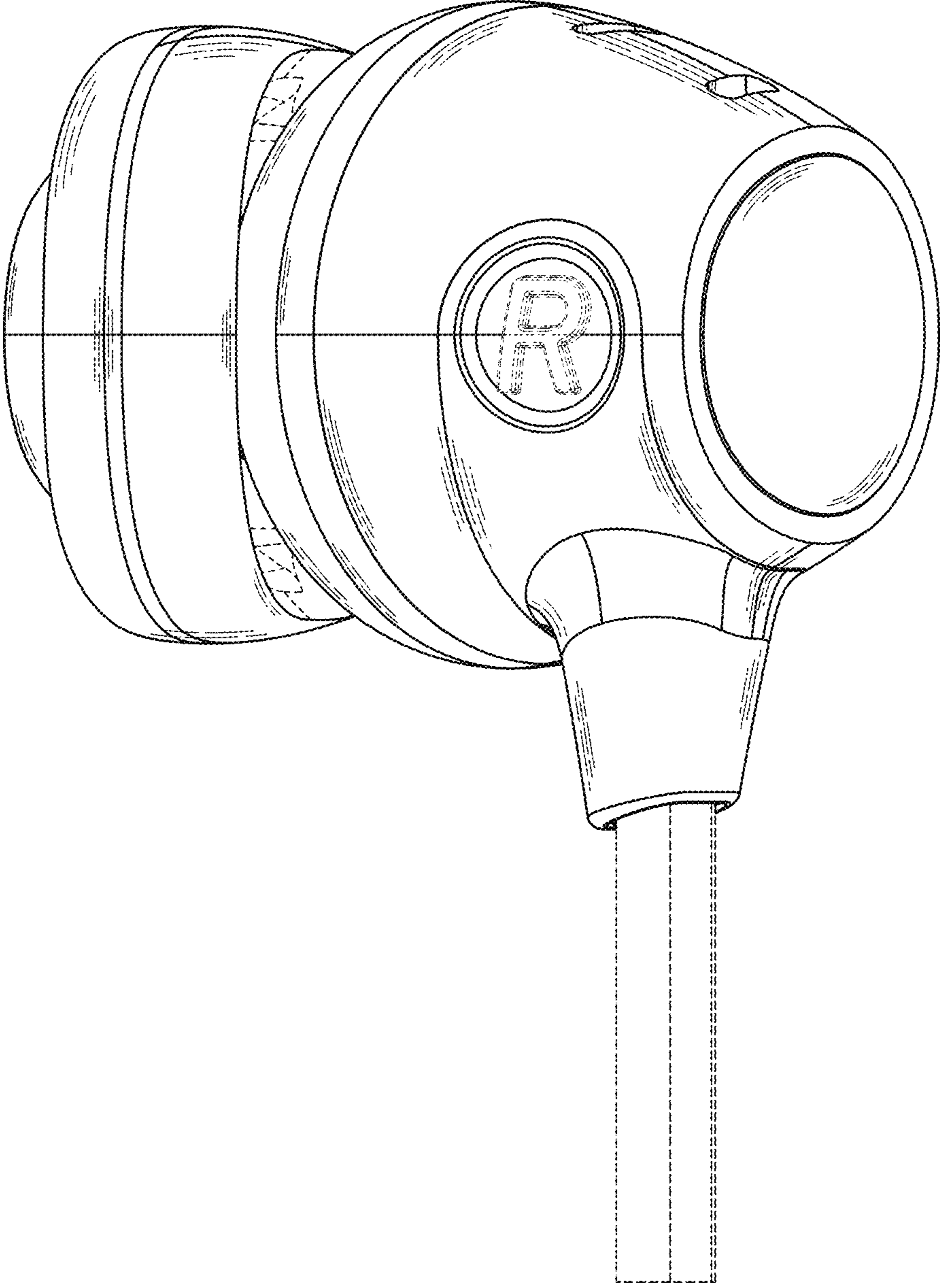


FIG.8

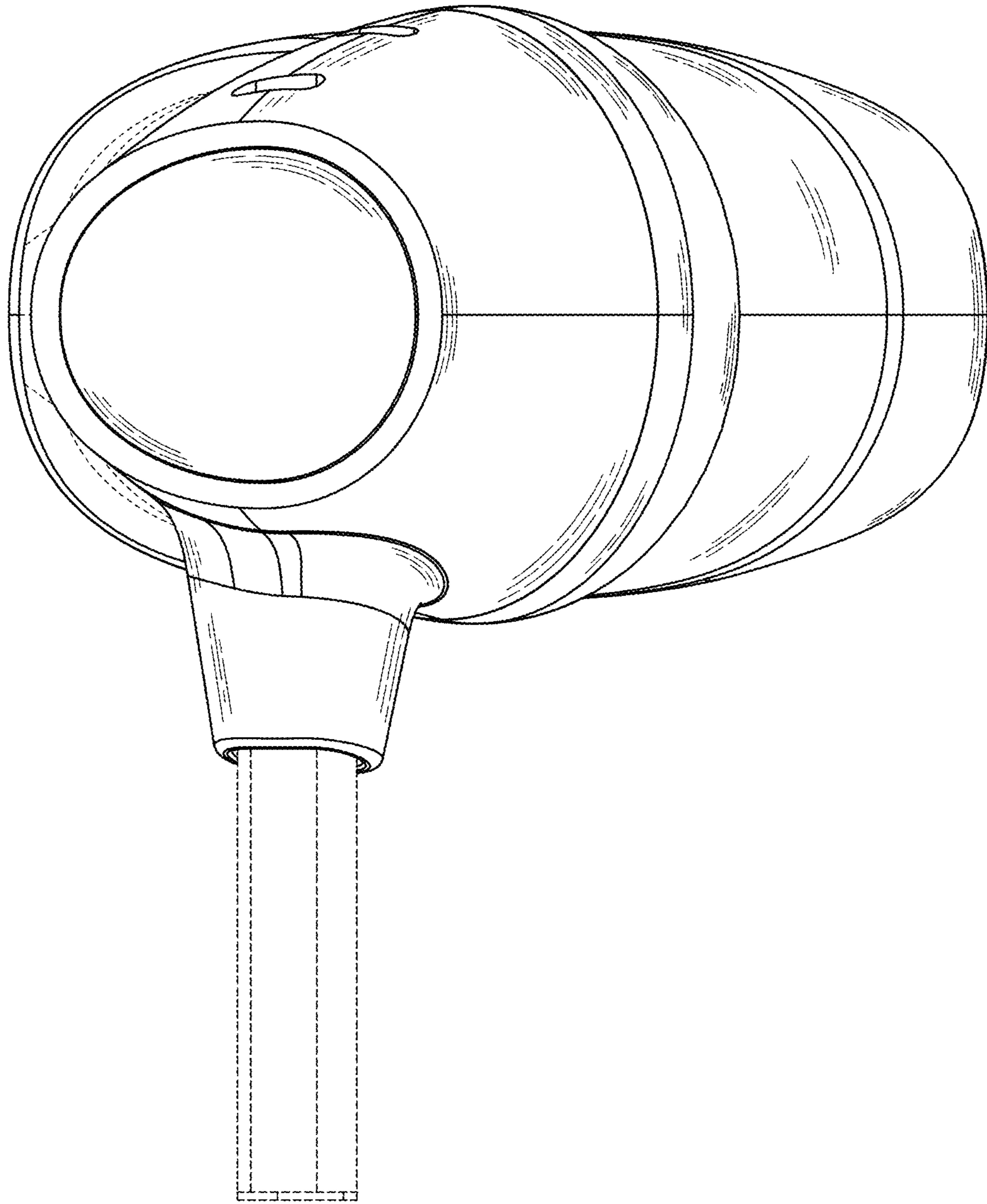


FIG.9

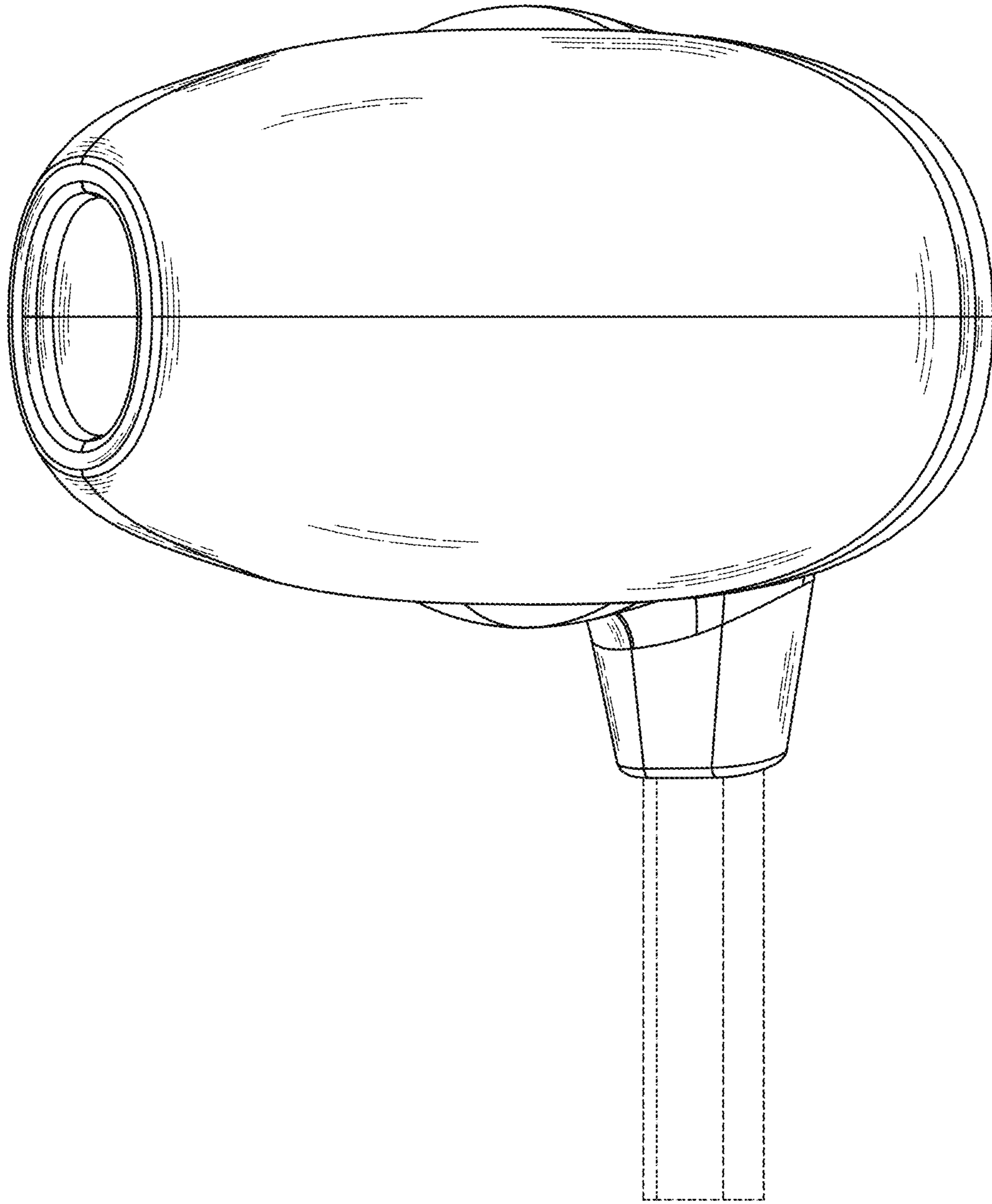


FIG. 10

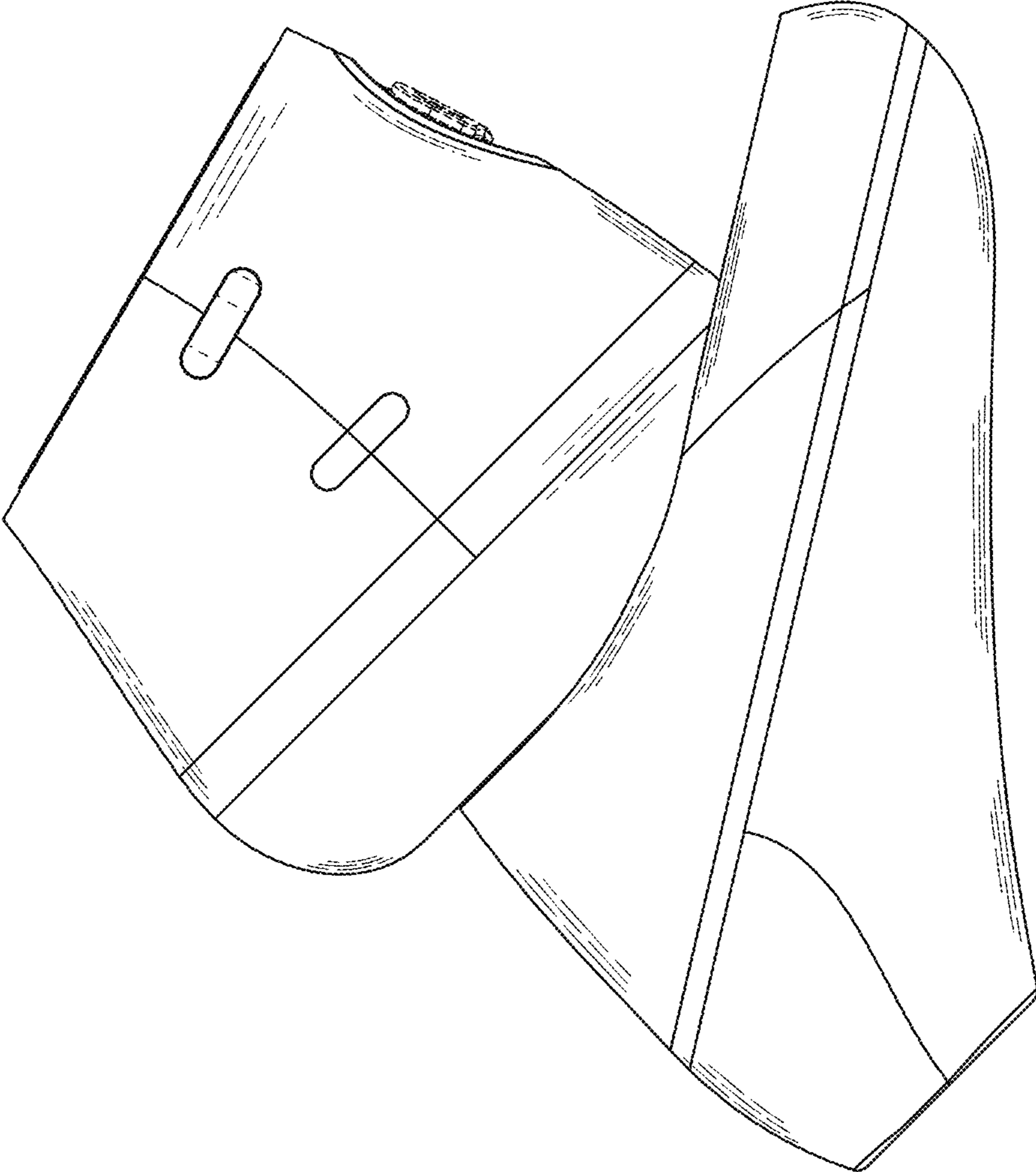


FIG.11

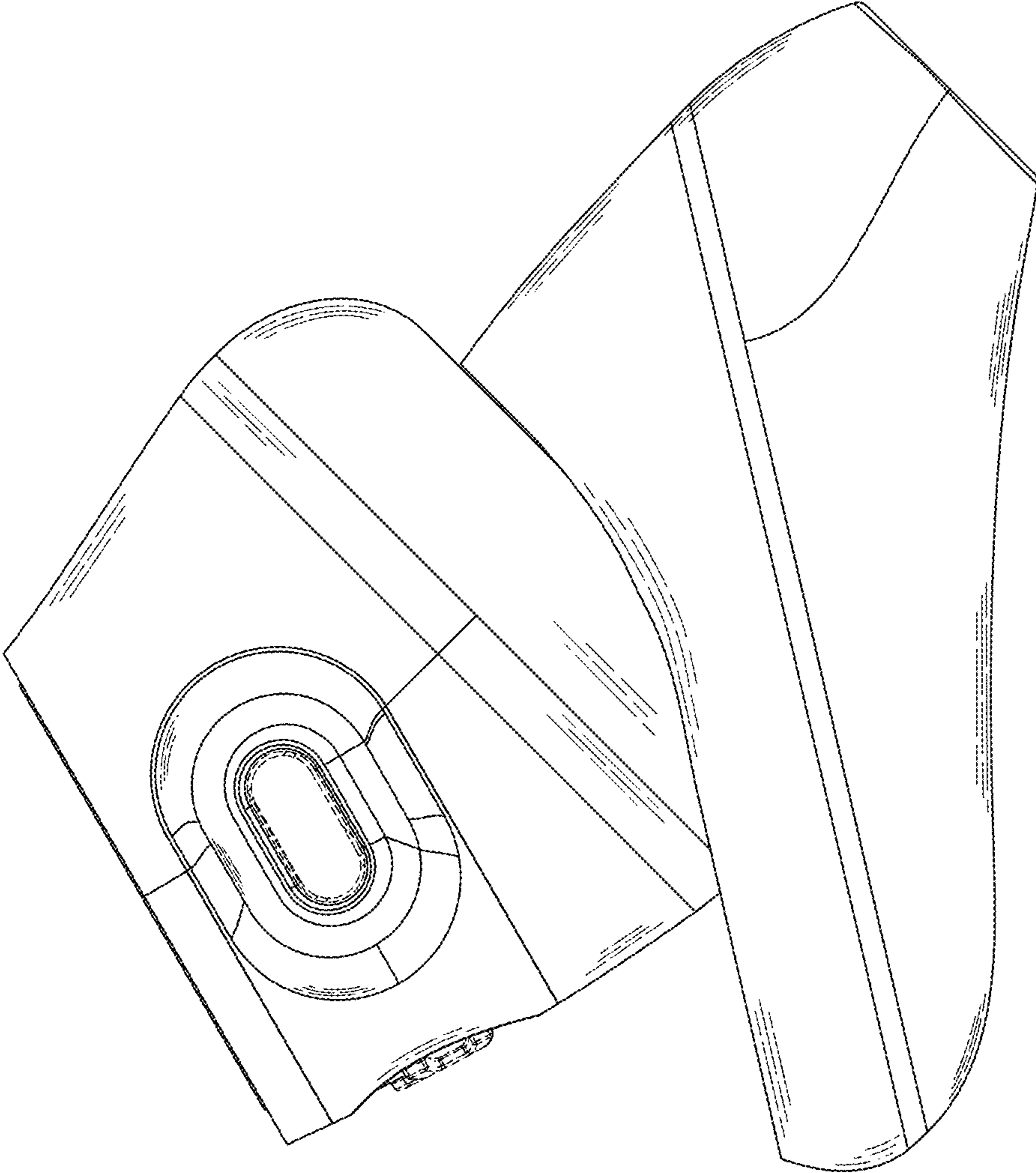


FIG.12

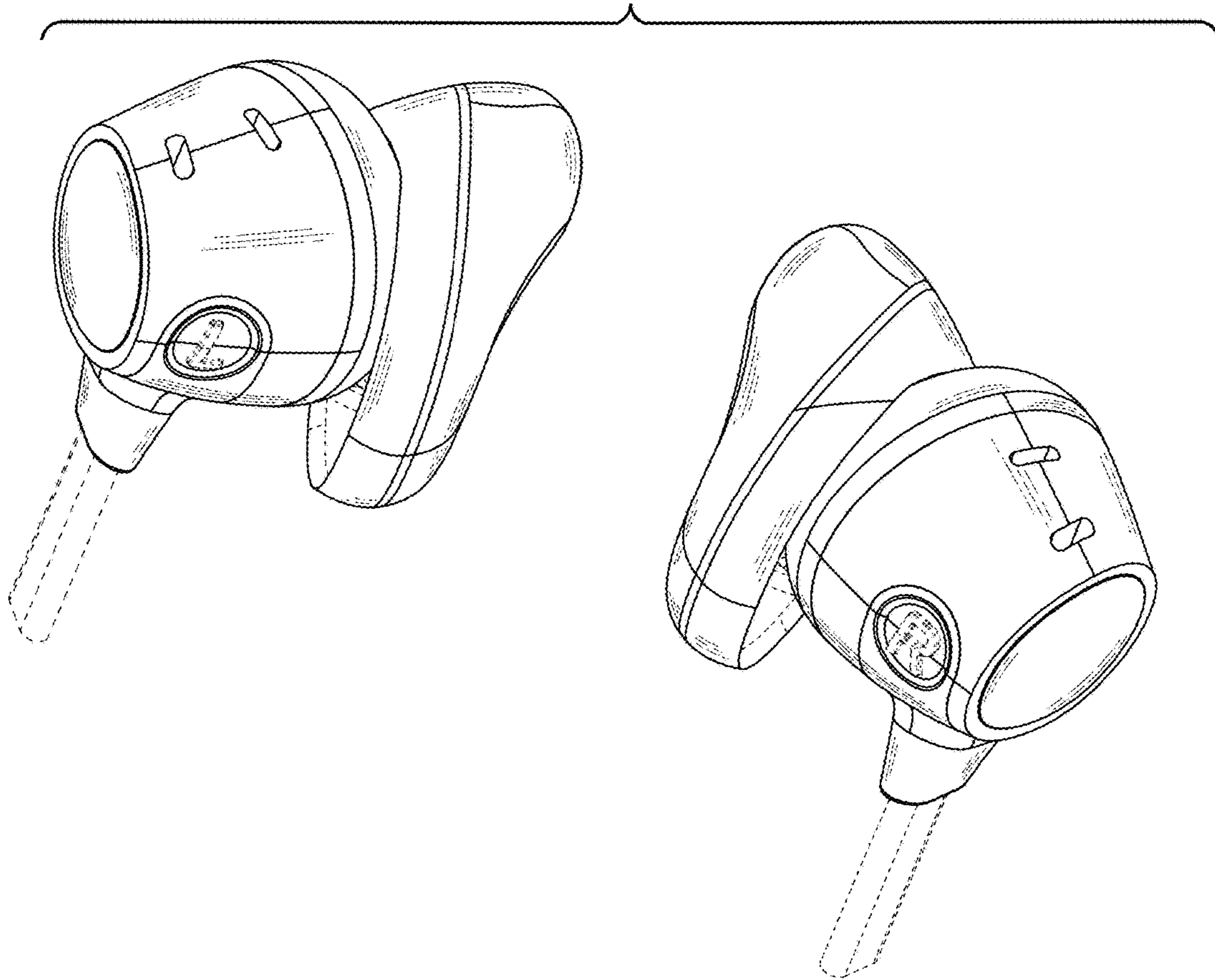


FIG.13