



US00D818988S

(12) **United States Design Patent** (10) **Patent No.:** **US D818,988 S**
Kitazawa (45) **Date of Patent:** **** May 29, 2018**

(54) **SOUND DEVICE**
(71) Applicant: **Creative Technology Ltd**, Singapore (SG)
(72) Inventor: **Shintaro Kitazawa**, Singapore (SG)
(73) Assignee: **Creative Technology Ltd**, Singapore (SG)
(**) Term: **15 Years**

D478,065 S * 8/2003 Bolton D14/214
D550,646 S * 9/2007 Kaneko D14/168
D557,279 S * 12/2007 Kim D14/496
D577,004 S * 9/2008 Lim D14/211
D587,239 S * 2/2009 Raisanen D14/188
D603,902 S * 11/2009 Greaves D19/67

(Continued)

Primary Examiner — Derrick E Holland
Assistant Examiner — Janice Julia Patyk
(74) *Attorney, Agent, or Firm* — Russell Swerdon;
Desmund Gean

(21) Appl. No.: **29/583,803**
(22) Filed: **Nov. 9, 2016**

(57) **CLAIM**

The ornamental design for a sound device, substantially as shown and described.

(30) **Foreign Application Priority Data**

May 27, 2016 (EM) 003156546
May 27, 2016 (EM) 003156546-0001
May 27, 2016 (EM) 003156546-0002

DESCRIPTION

(51) **LOC (11) Cl.** **14-01**
(52) **U.S. Cl.**
USPC **D14/204**
(58) **Field of Classification Search**
USPC D14/167, 168, 170–172, 188, 204, 209.1,
D14/210–216, 219, 221, 222, 224;
181/144, 148, 153, 157, 198; 369/6–12;
381/301–303, 306, 332, 334, 336, 345,
381/361–363, 386–388
CPC G06F 1/1688; H04R 1/02; H04R 1/025;
H04R 1/026; H04R 1/323; H04R 1/403;
H04R 1/2803; H04R 1/2834; H04R 5/02;
H04R 9/06; H04R 2201/021; H04R
2400/00; H04R 2400/07; H04R 2499/11
See application file for complete search history.

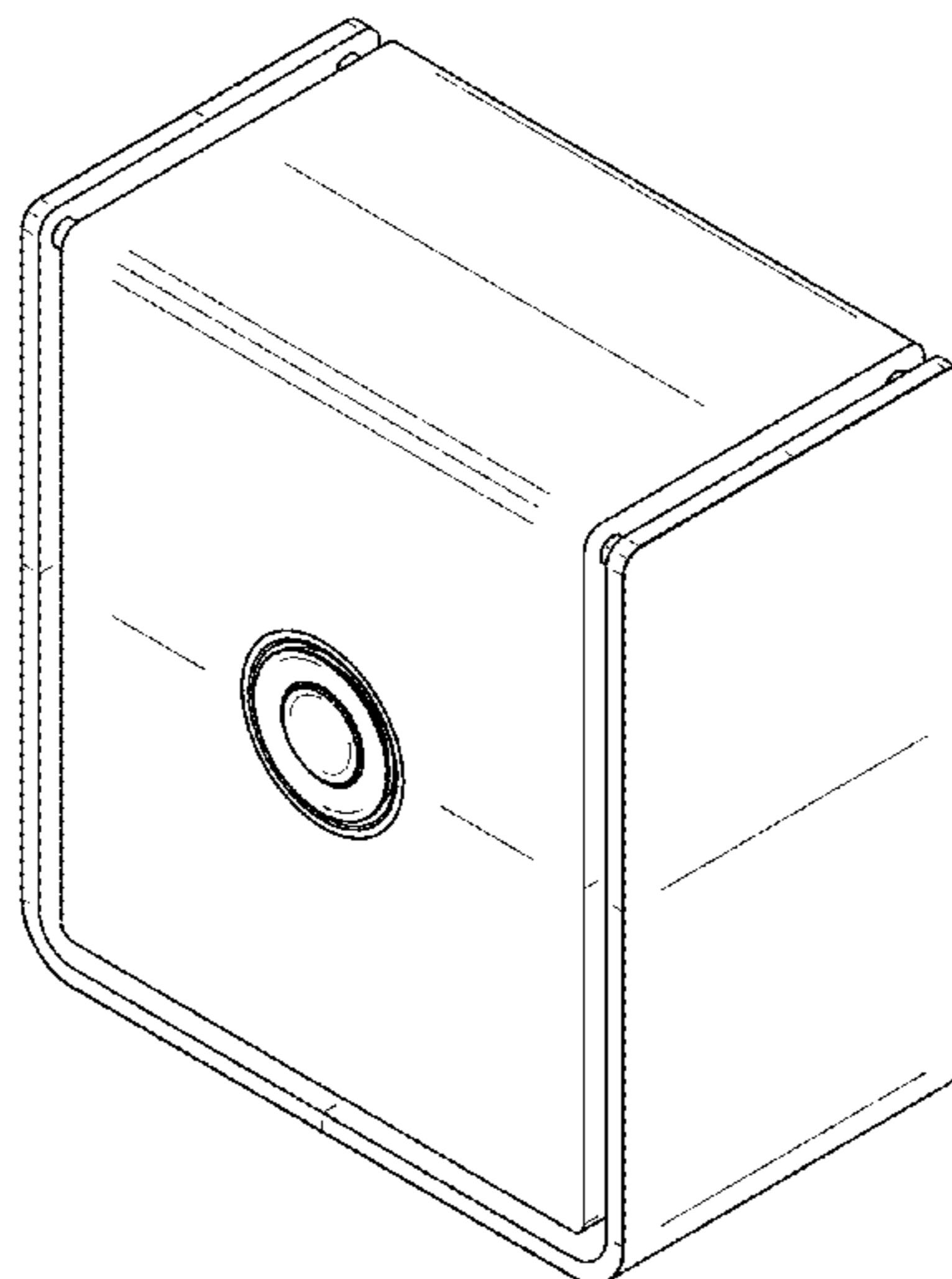
FIG. 1 is a front perspective view of embodiment one, of a sound device, showing my new design;
FIG. 2 is a rear perspective view thereof;
FIG. 3 is a front view thereof;
FIG. 4 is a rear view thereof;
FIG. 5 is a left side view thereof;
FIG. 6 is a right side view thereof;
FIG. 7 is a top view thereof;
FIG. 8 is a bottom view thereof;
FIG. 9 is a front perspective view of embodiment two, of a sound device, showing my new design;
FIG. 10 is a rear perspective view thereof;
FIG. 11 is a front view thereof;
FIG. 12 is a rear view thereof;
FIG. 13 is a left side view thereof;
FIG. 14 is a right side view thereof;
FIG. 15 is a top view thereof; and,
FIG. 16 is a bottom view thereof.
The broken line portions of FIG. 9, FIG. 10, FIG. 11, FIG. 12, and FIG. 15 are included to show unclaimed subject matter only and form no part of the claimed design.

(56) **References Cited**

U.S. PATENT DOCUMENTS

D458,911 S * 6/2002 Kataoka D14/129
D460,965 S * 7/2002 O'Brien D14/349

1 Claim, 16 Drawing Sheets



(56)

References Cited

U.S. PATENT DOCUMENTS

D641,753 S * 7/2011 Obata D14/356
D669,059 S * 10/2012 Huang D14/240

* cited by examiner

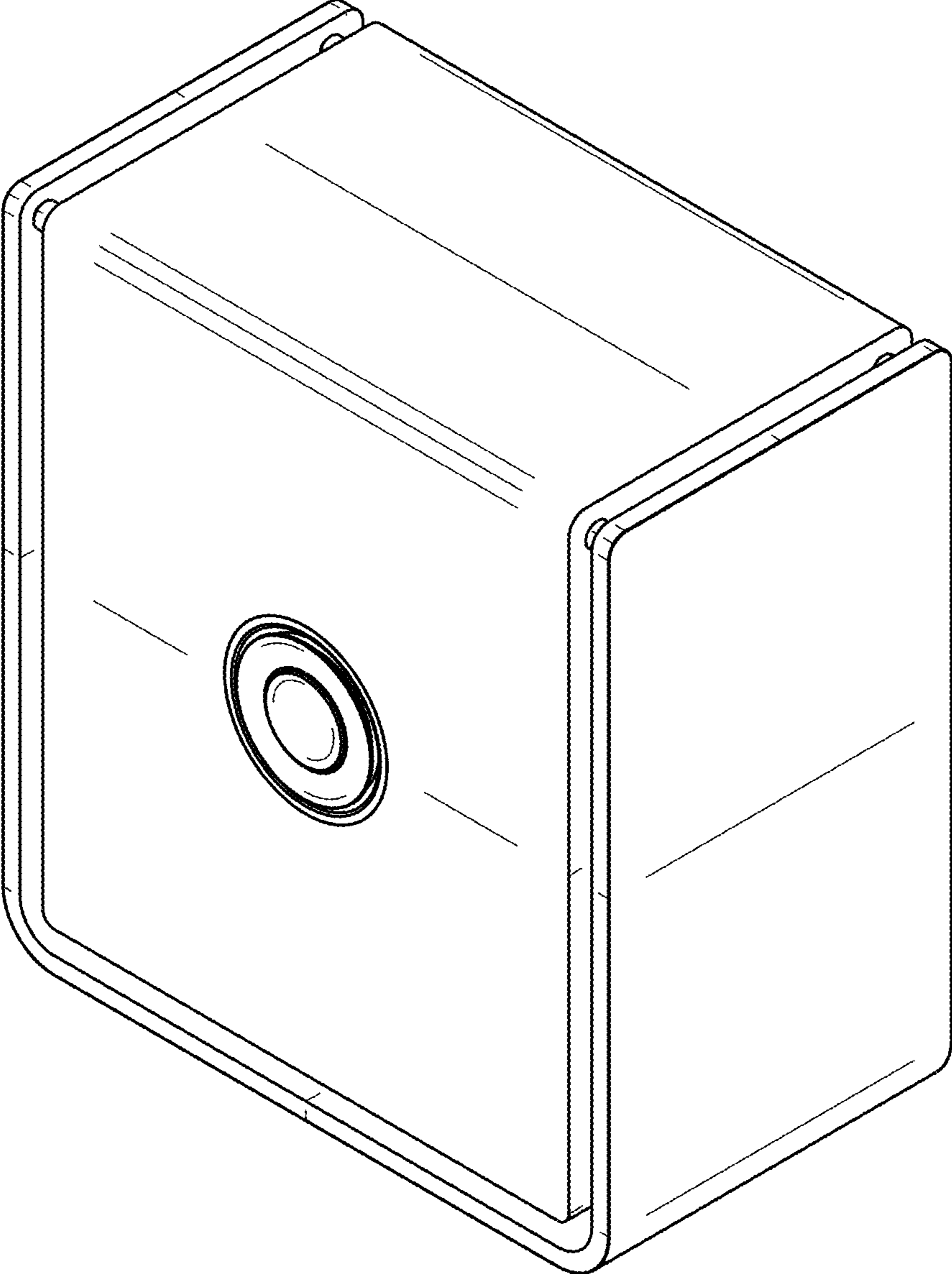


FIG. 1

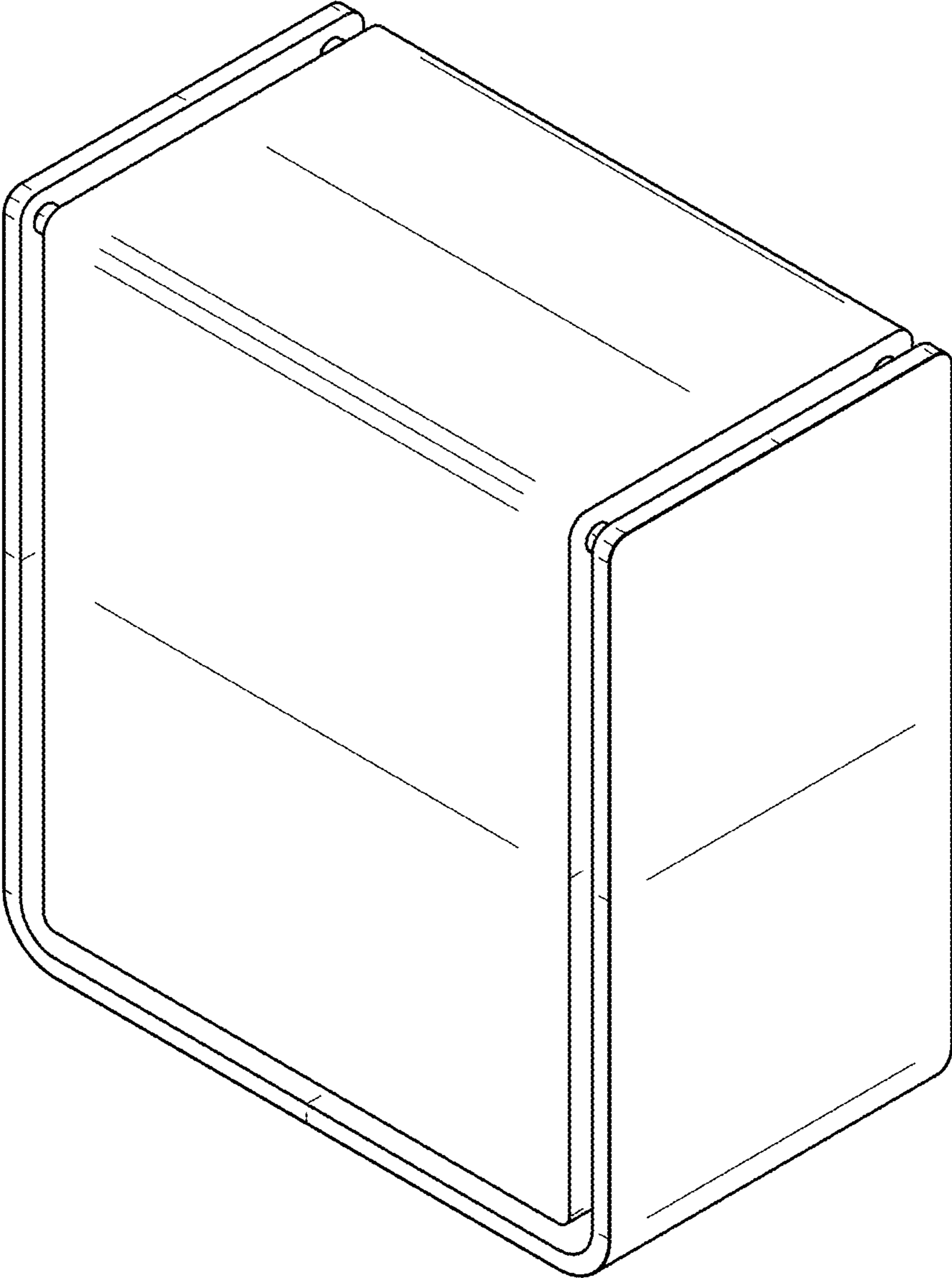


FIG. 2

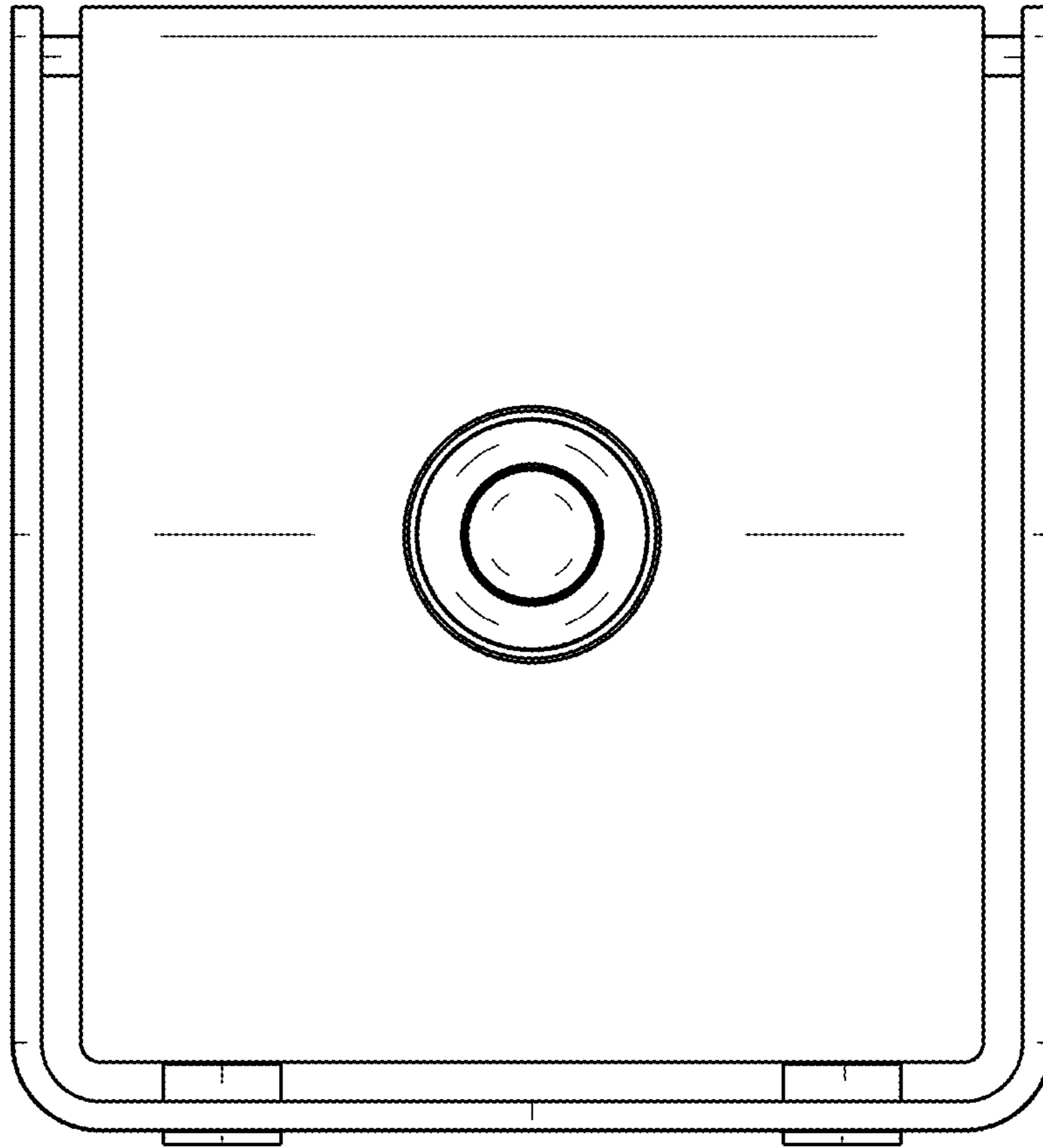


FIG. 3

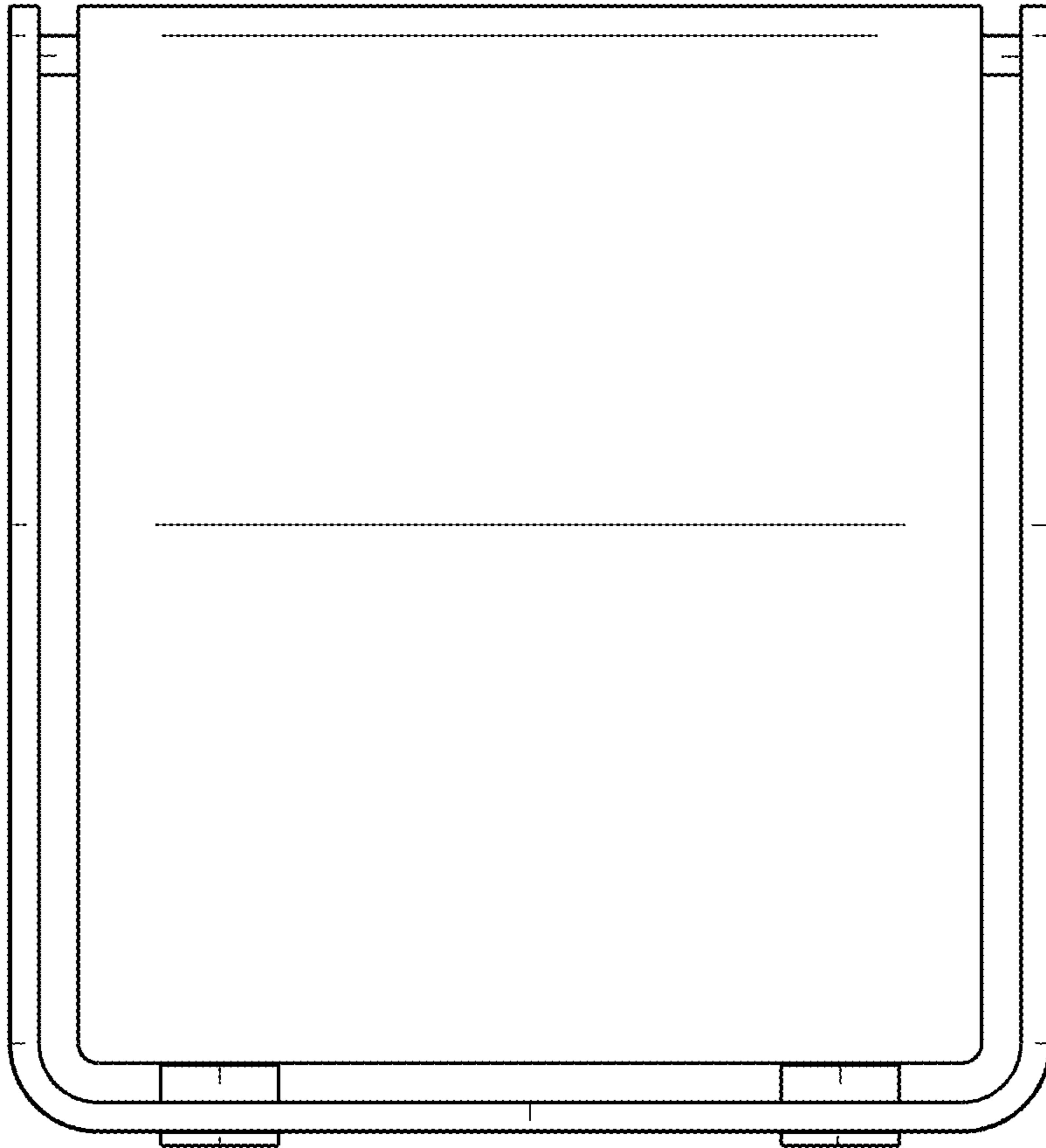


FIG. 4

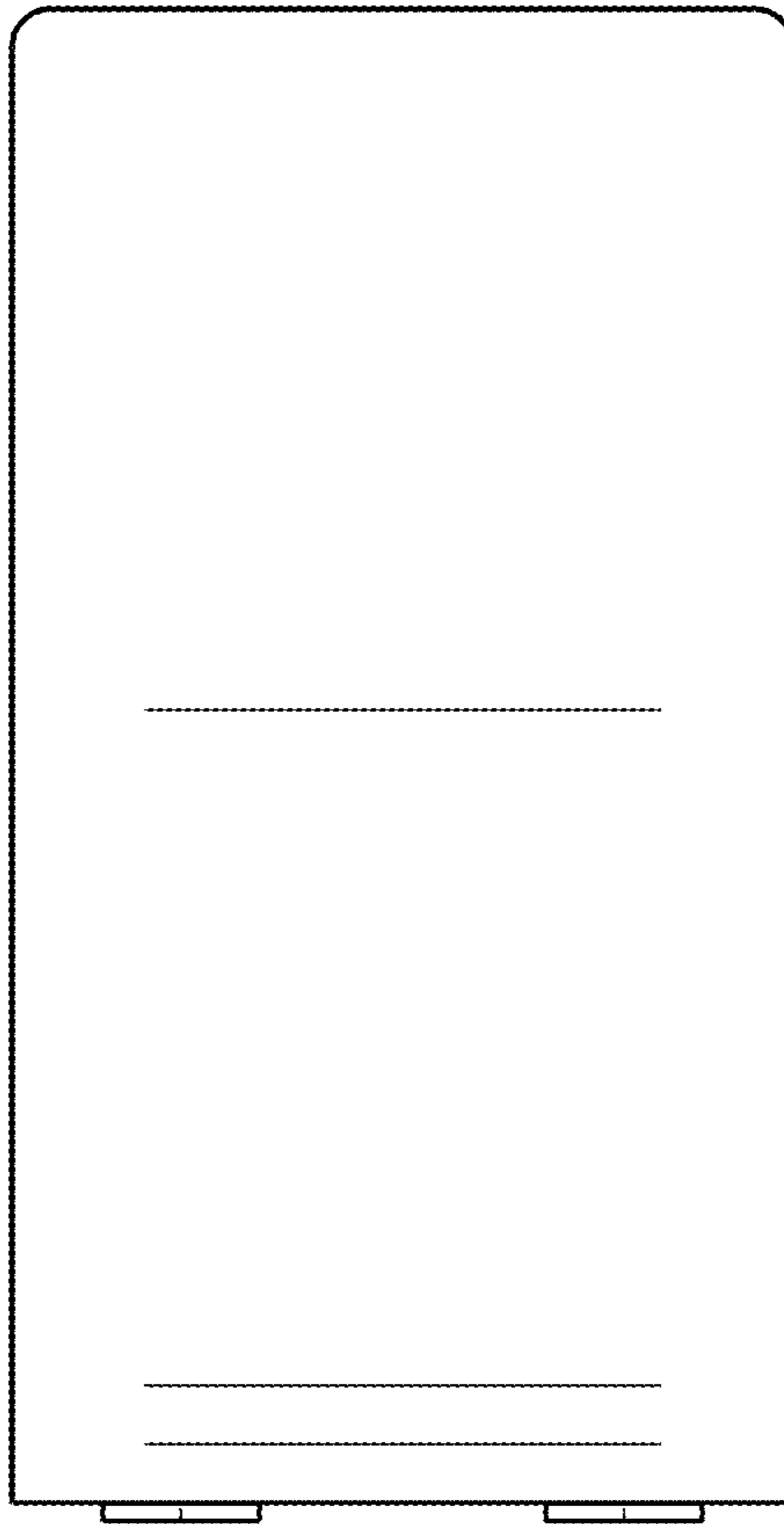


FIG. 5

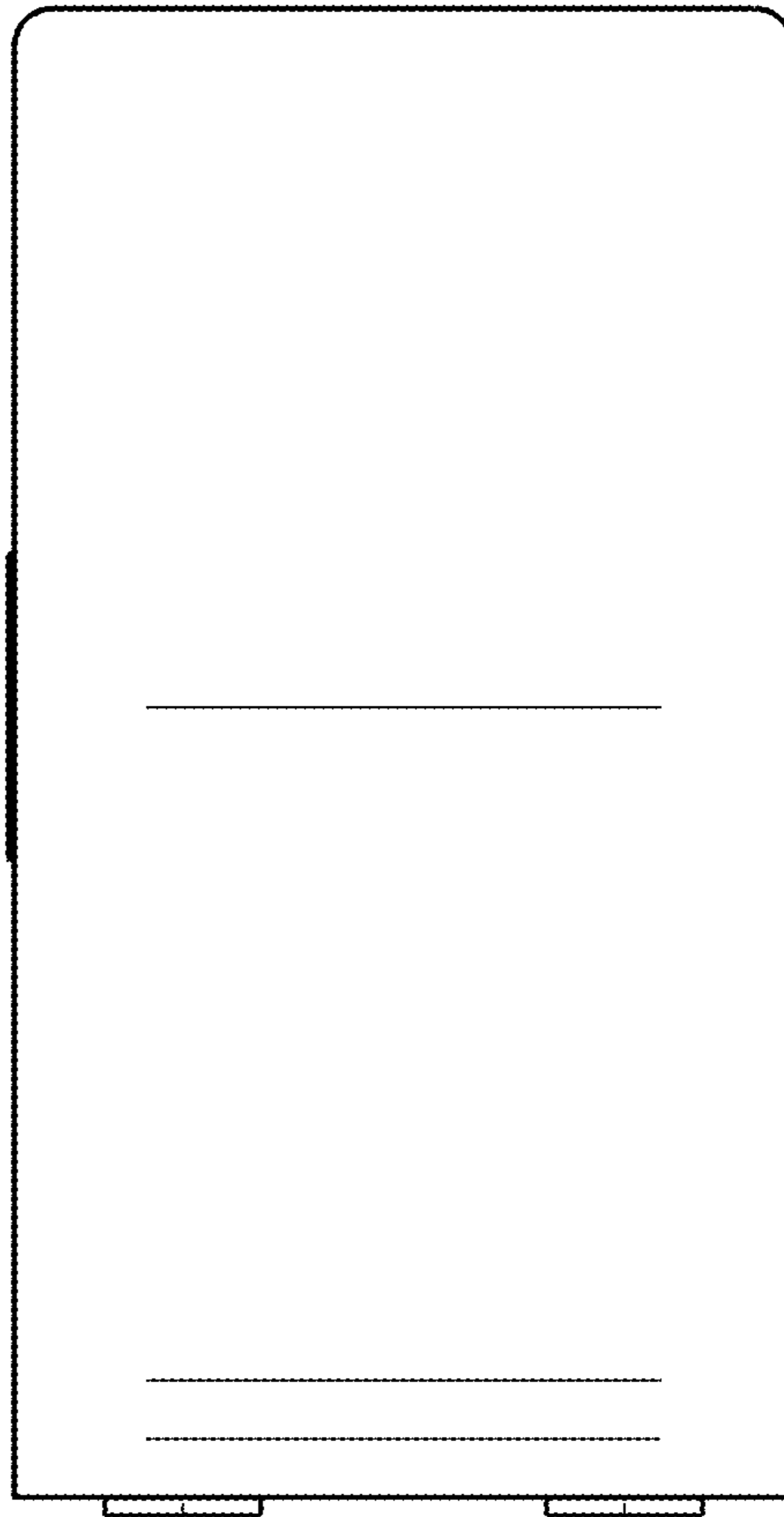


FIG. 6

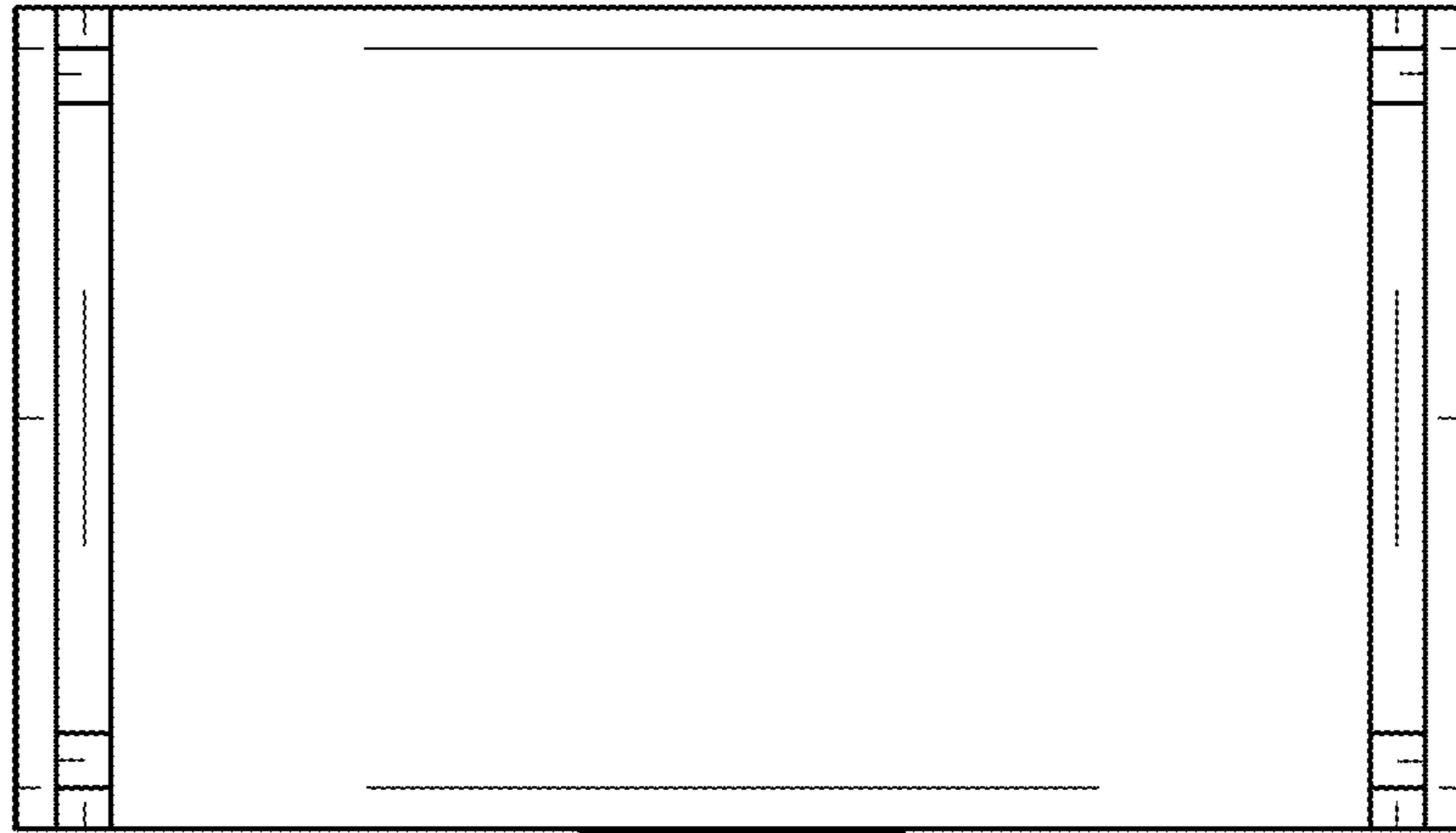


FIG. 7

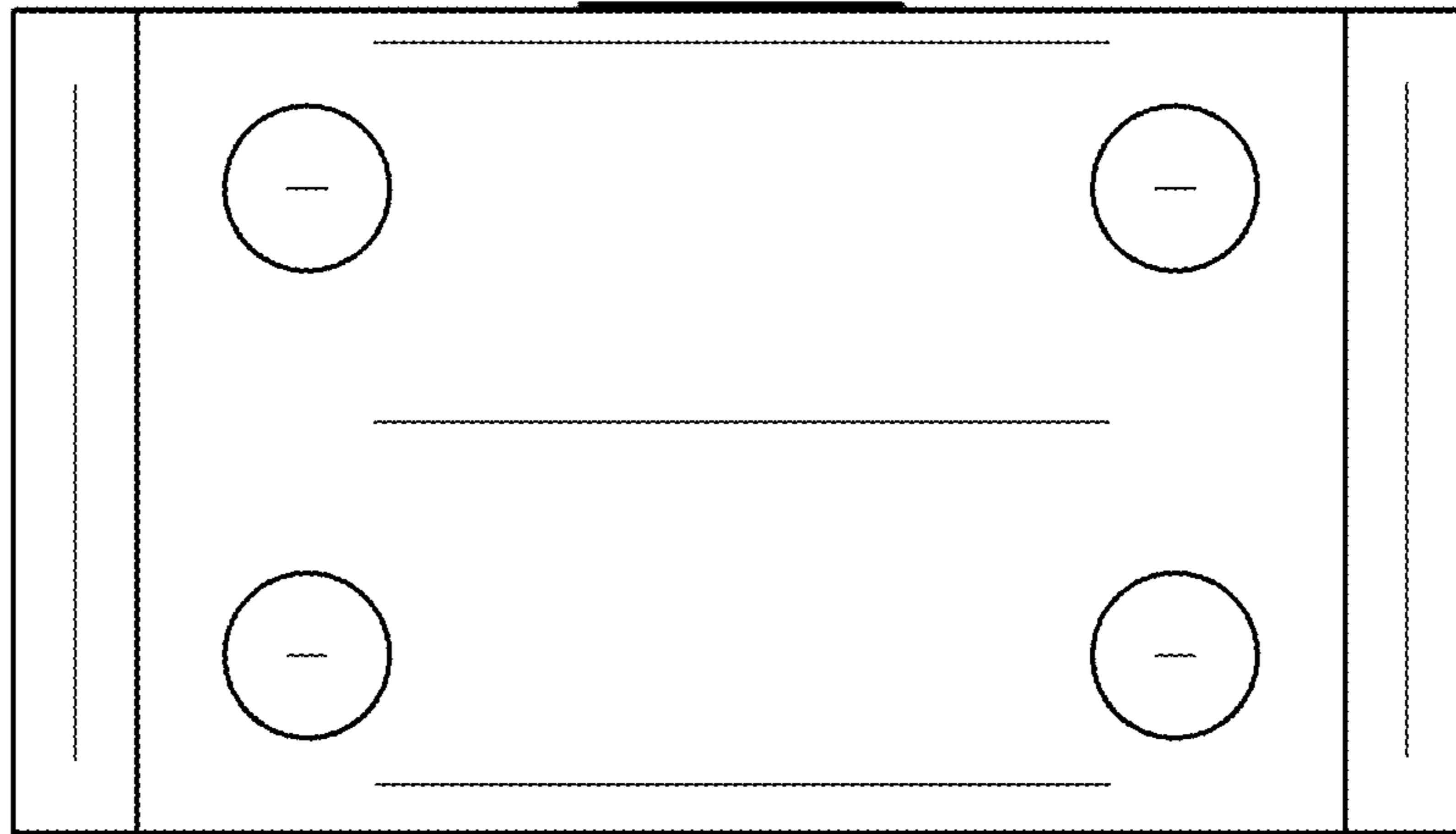


FIG. 8

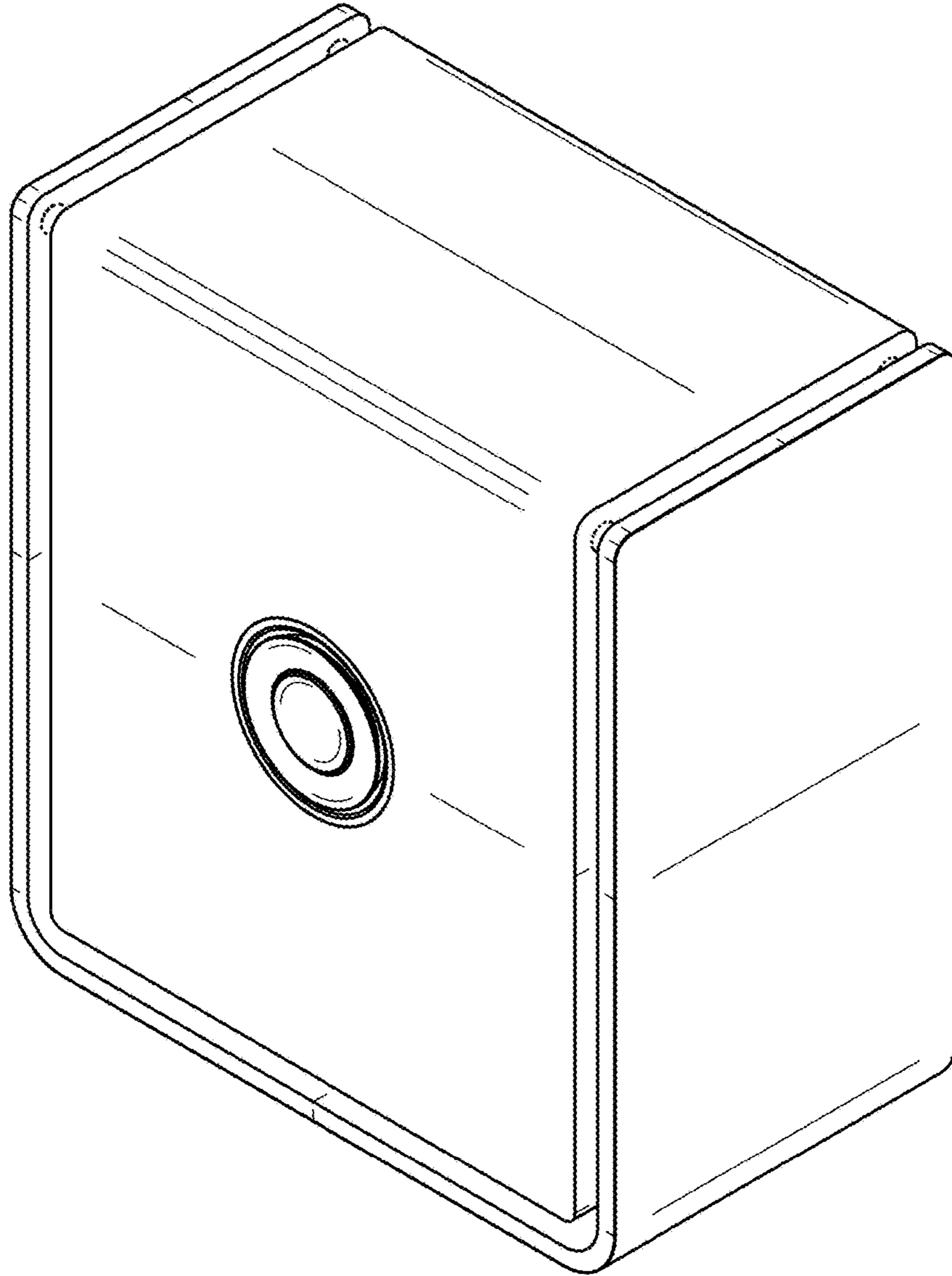


FIG. 9

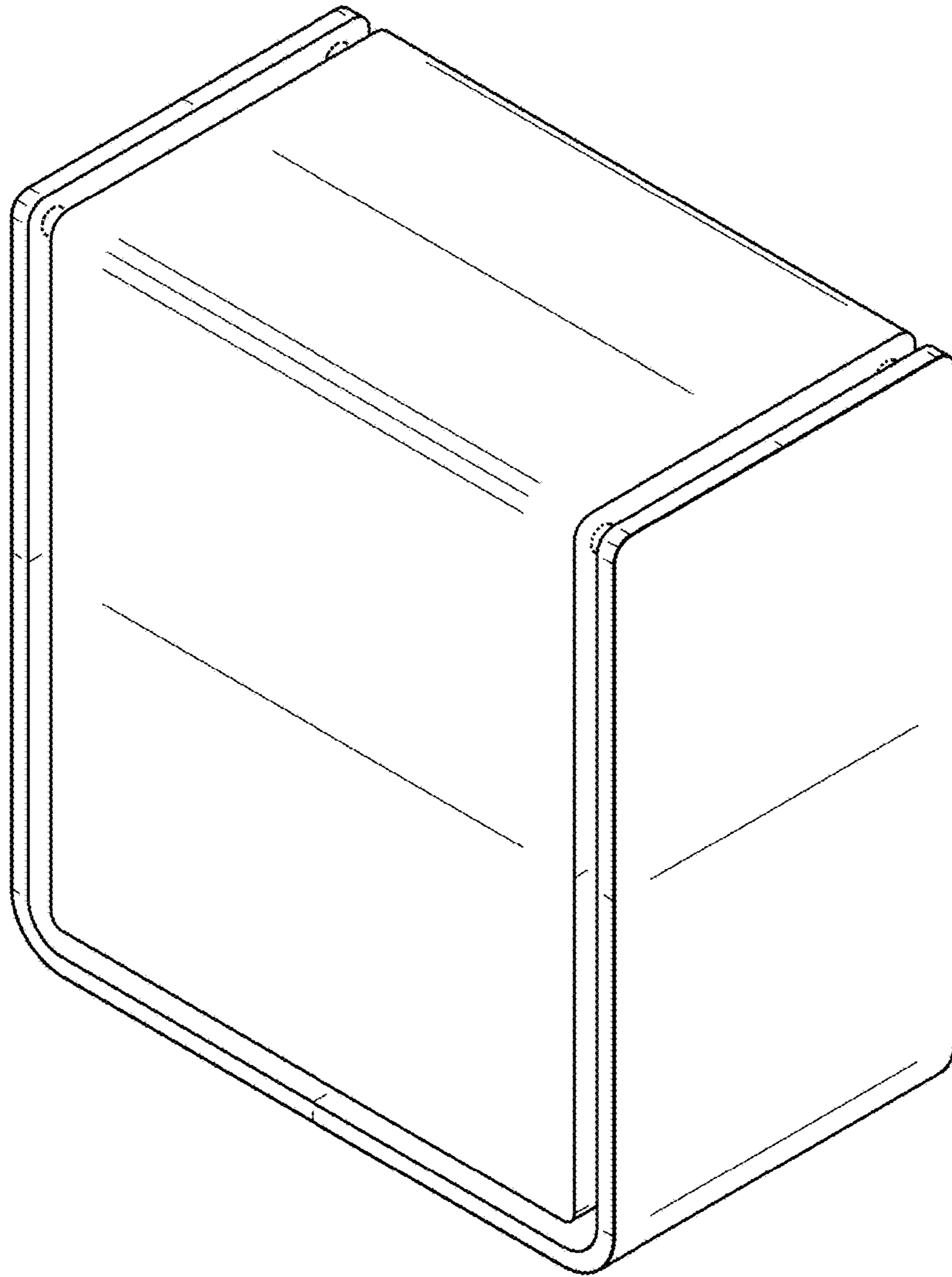


FIG. 10

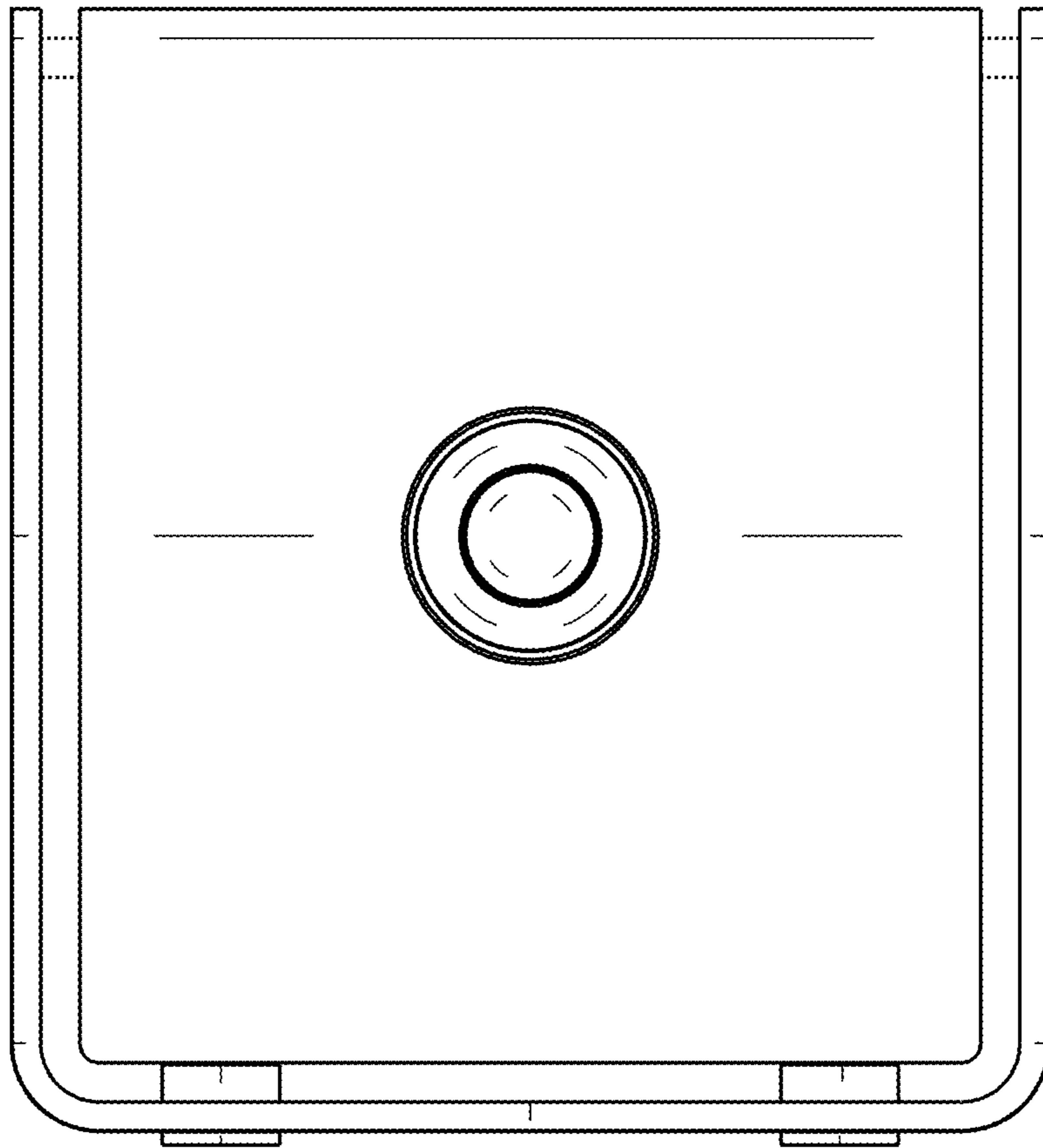


FIG. 11

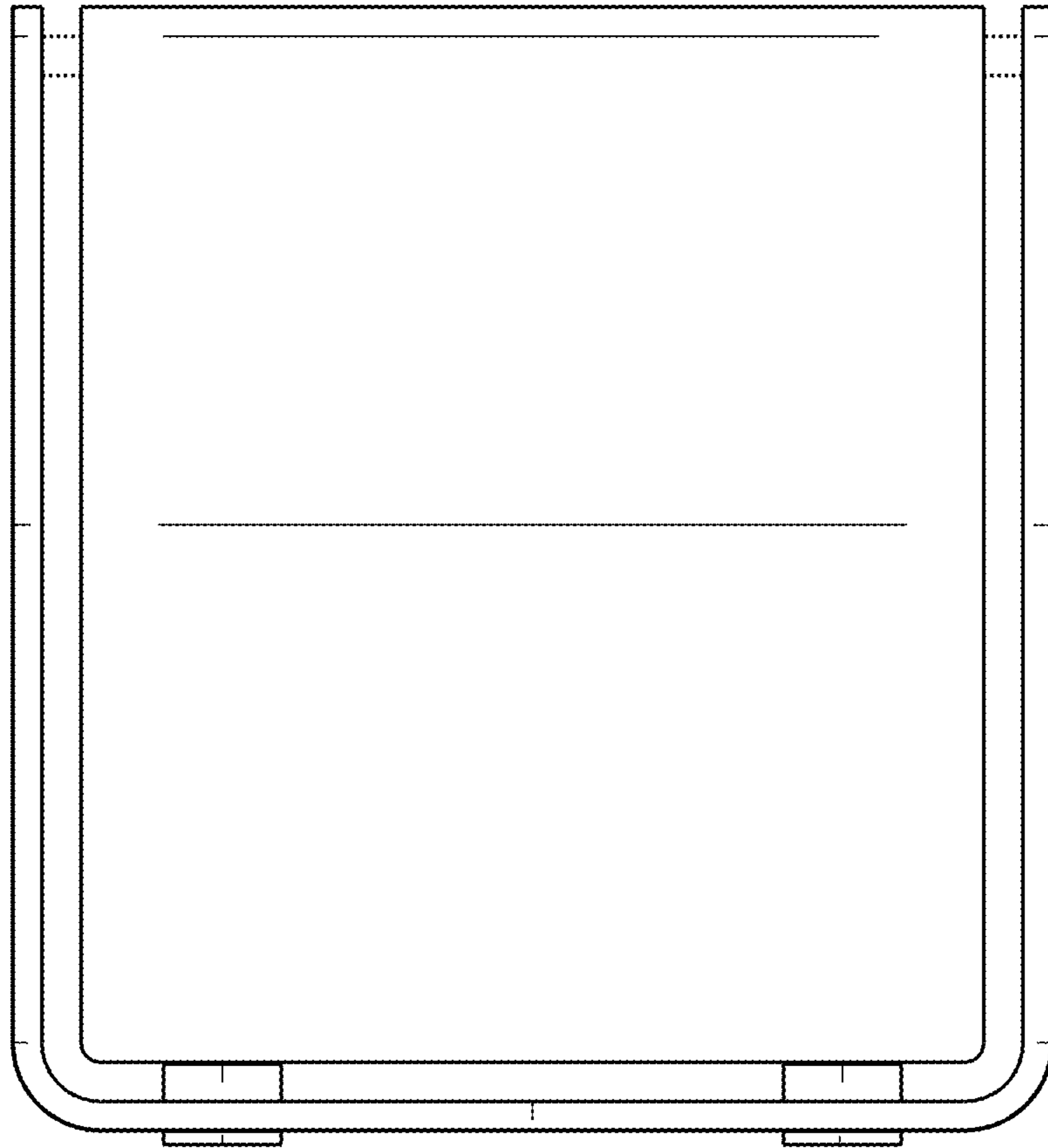


FIG. 12

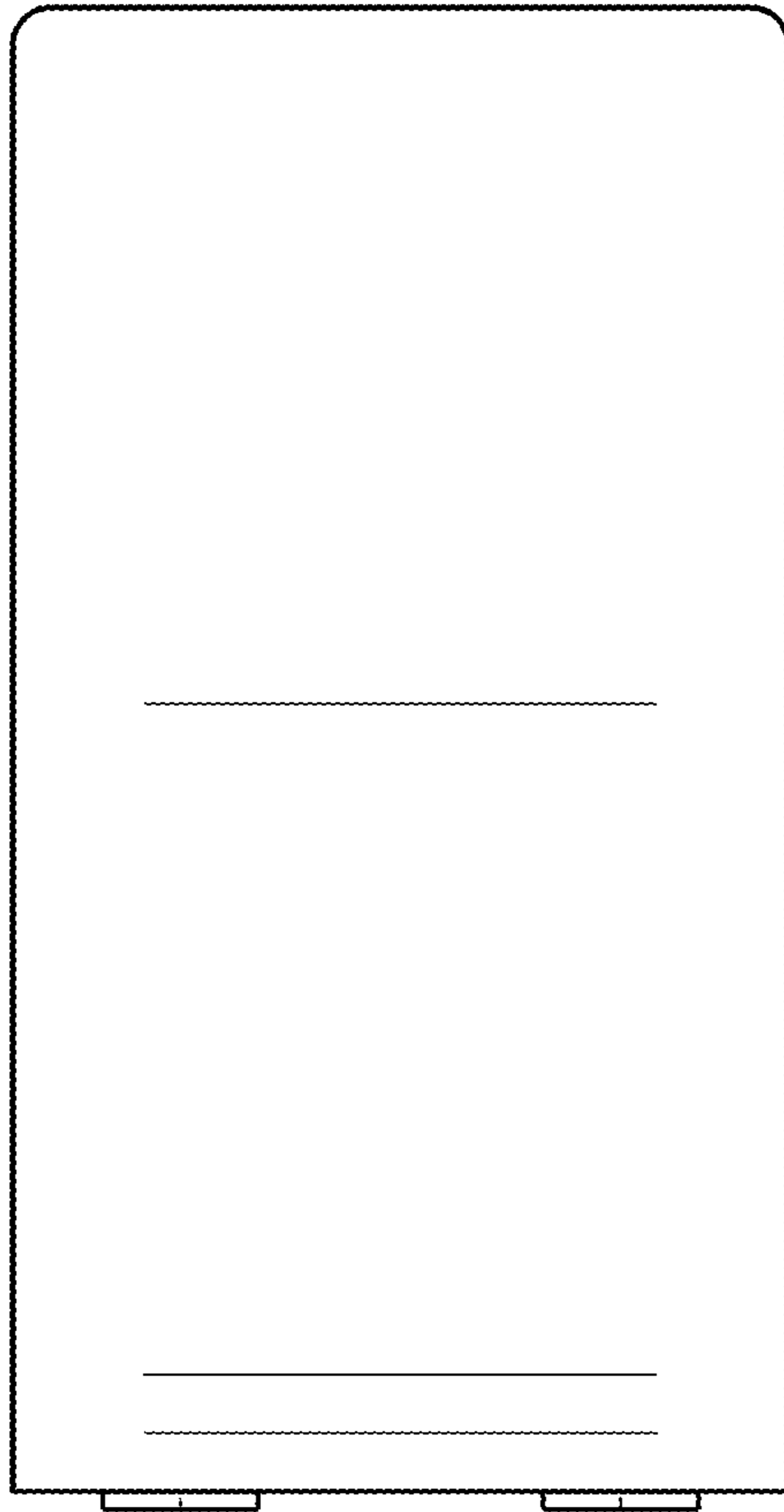


FIG. 13

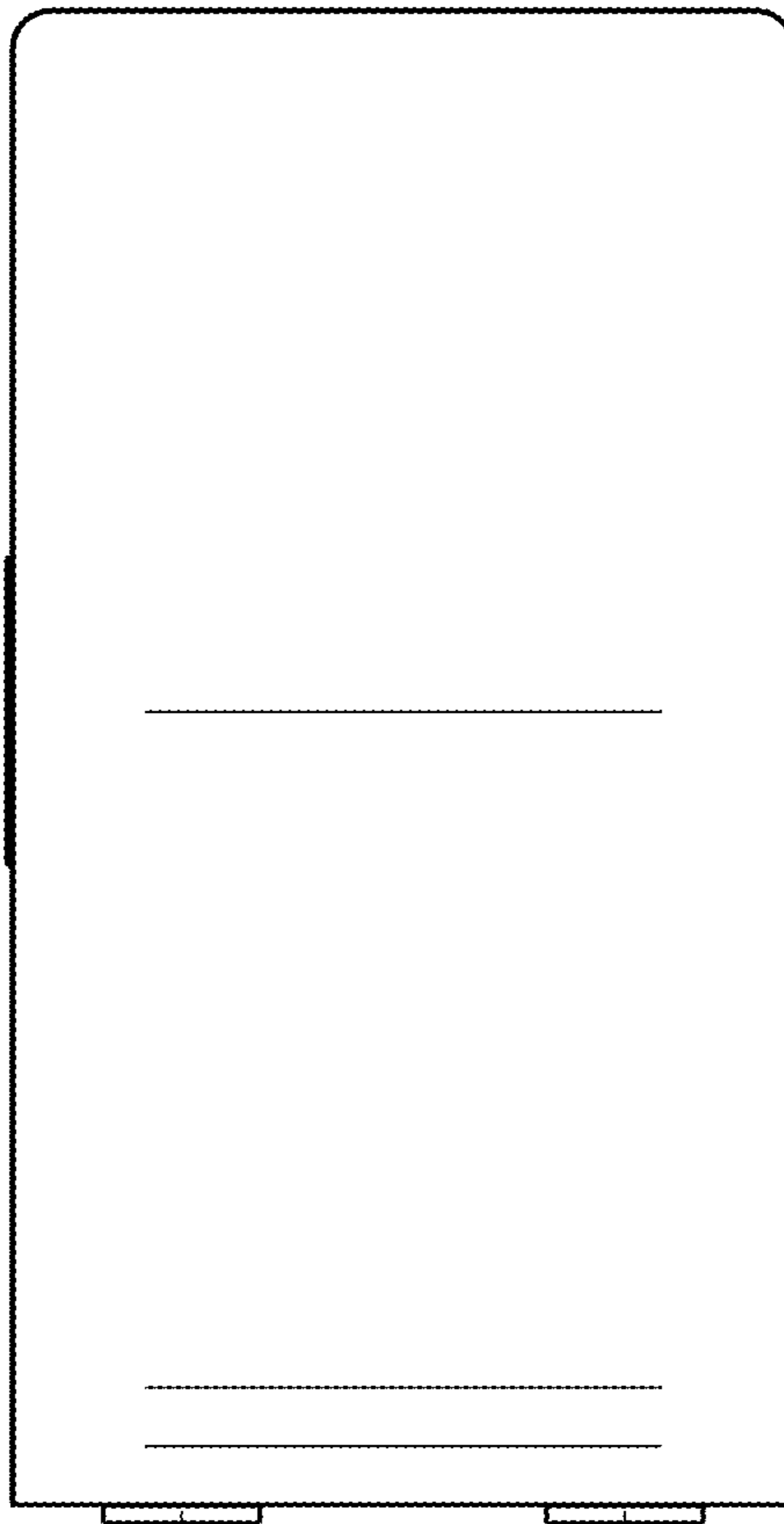


FIG. 14

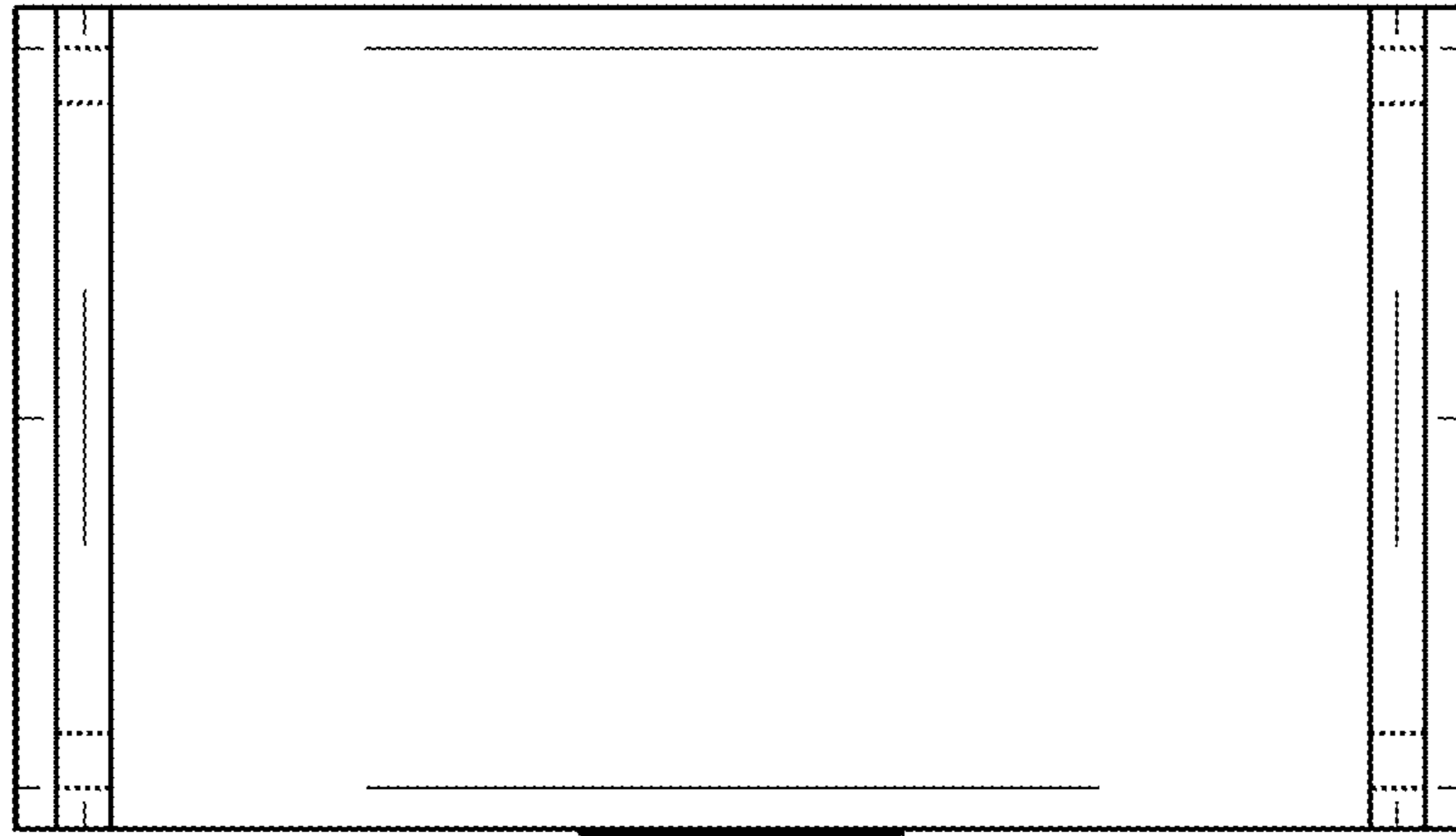


FIG. 15

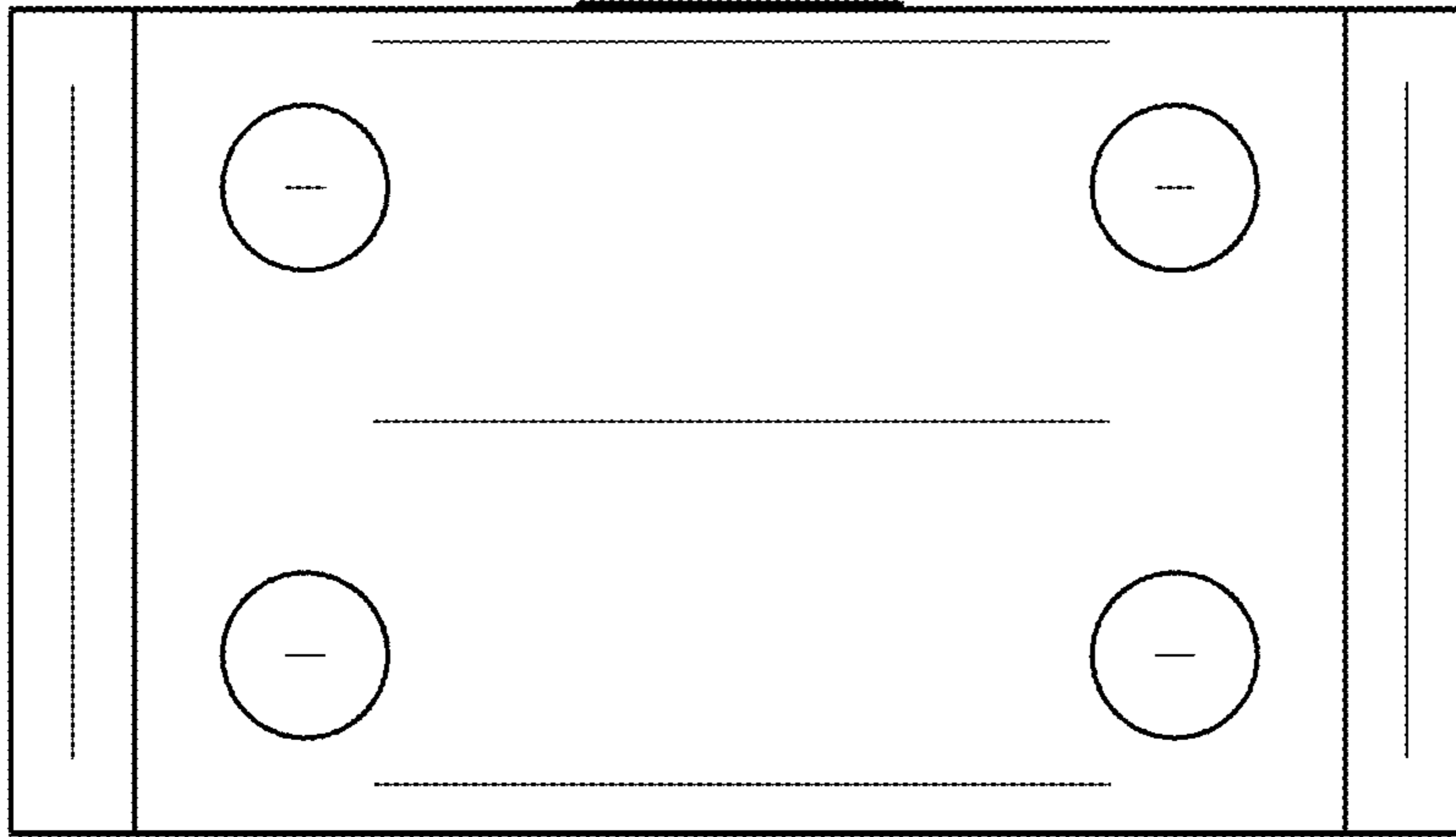


FIG. 16