



US00D818979S

(12) **United States Design Patent**
Won et al.

(10) **Patent No.:** **US D818,979 S**
(45) **Date of Patent:** **** May 29, 2018**

(54) **TV RECEIVER**
(71) Applicant: **LG ELECTRONICS INC., Seoul (KR)**
(72) Inventors: **Hyojin Won, Seoul (KR); Youngkyoung Kim, Seoul (KR); Junghyun Min, Seoul (KR)**
(73) Assignee: **LG ELECTRONICS INC., Seoul (KR)**
(**) Term: **15 Years**

(21) Appl. No.: **35/501,902**
(22) Filed: **May 13, 2016**

(80) **Hague Agreement Data**

Int. Filing Date: **May 13, 2016**
Int. Reg. No.: **DM/090908**
Int. Reg. Date: **May 13, 2016**
Int. Reg. Pub. Date: **Nov. 18, 2016**

(30) **Foreign Application Priority Data**

Nov. 23, 2015 (KR) 30-2015-0058925

(51) **LOC (11) Cl.** **14-03**
(52) **U.S. Cl.**
USPC **D14/126**

(58) **Field of Classification Search**
USPC D14/126, 127, 128, 336, 448
CPC ... G06F 1/1601; G06F 1/1643; H05K 5/0004; H05K 5/0017; H05K 5/02; H05K 5/0217
See application file for complete search history.

(56) **References Cited**

U.S. PATENT DOCUMENTS

D615,509 S * 5/2010 Song D14/126
D615,510 S * 5/2010 Won D14/126
D661,268 S * 6/2012 Itou D14/126

D682,231 S * 5/2013 Lee D14/126
D692,403 S * 10/2013 Takami D14/126
D700,586 S * 3/2014 Kim D14/126
D703,168 S * 4/2014 Won D14/126
D714,238 S * 9/2014 Kim D14/126
D719,119 S * 12/2014 Park D14/126
D720,315 S * 12/2014 Kim D14/126
D722,033 S * 2/2015 Kim D14/126
D722,300 S * 2/2015 Won D14/126
D722,989 S * 2/2015 Park D14/126
D733,082 S * 6/2015 Hwangbo D14/126
D748,596 S * 2/2016 McManigal D14/126
D751,519 S * 3/2016 Ma D14/126
D754,086 S * 4/2016 Valeur D14/126
D755,140 S * 5/2016 Kim D14/126
D756,945 S * 5/2016 Kim D14/126
D768,100 S * 10/2016 Seo D14/126
D772,830 S * 11/2016 Kim D14/126
D773,419 S * 12/2016 Han D14/126
D774,483 S * 12/2016 Kim D14/126
D774,484 S * 12/2016 Han D14/126

(Continued)

Primary Examiner — Michael A. Pratt
(74) *Attorney, Agent, or Firm* — Birch, Stewart, Kolasch & Birch, LLP

(57) **CLAIM**

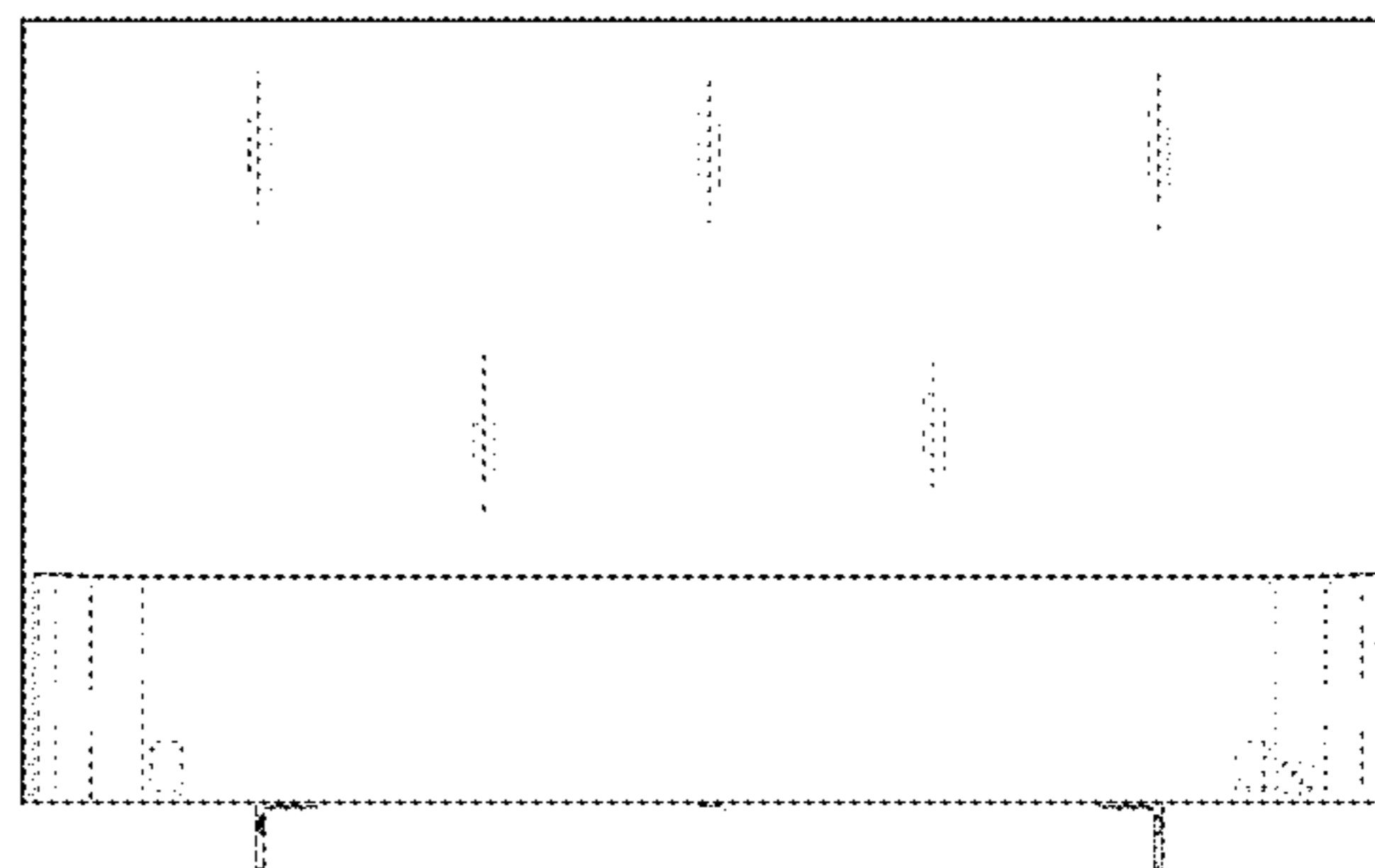
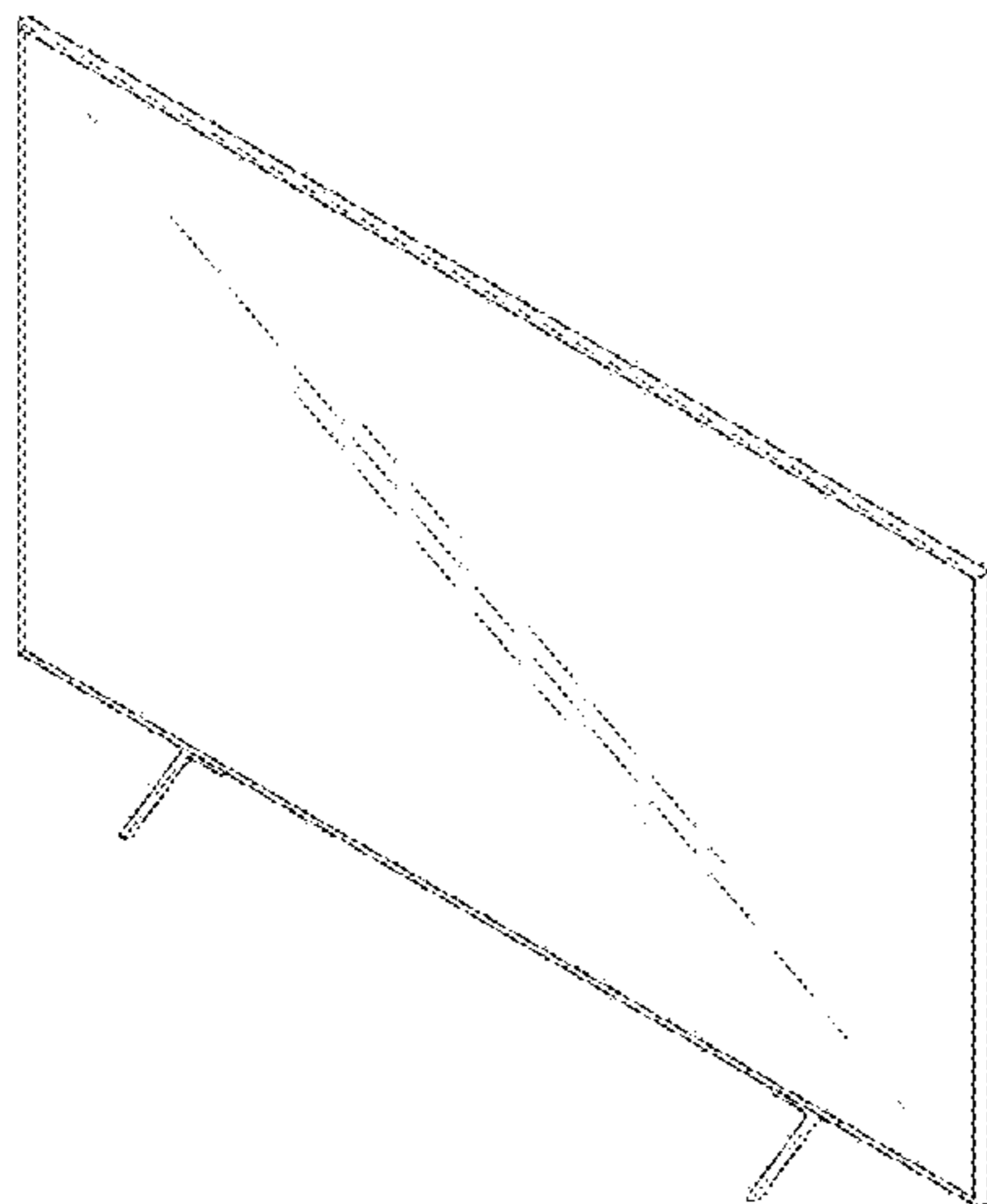
The ornamental design for TV receiver, as shown and described.

DESCRIPTION

- 1. TV receiver
- 1.1 : Perspective
- 1.2 : Front
- 1.3 : Back
- 1.4 : Left
- 1.5 : Right
- 1.6 : Top
- 1.7 : Bottom

The broken line shown in figure 1.7 is for the purpose of illustrating environment and forms no part of the claimed design.

1 Claim, 7 Drawing Sheets



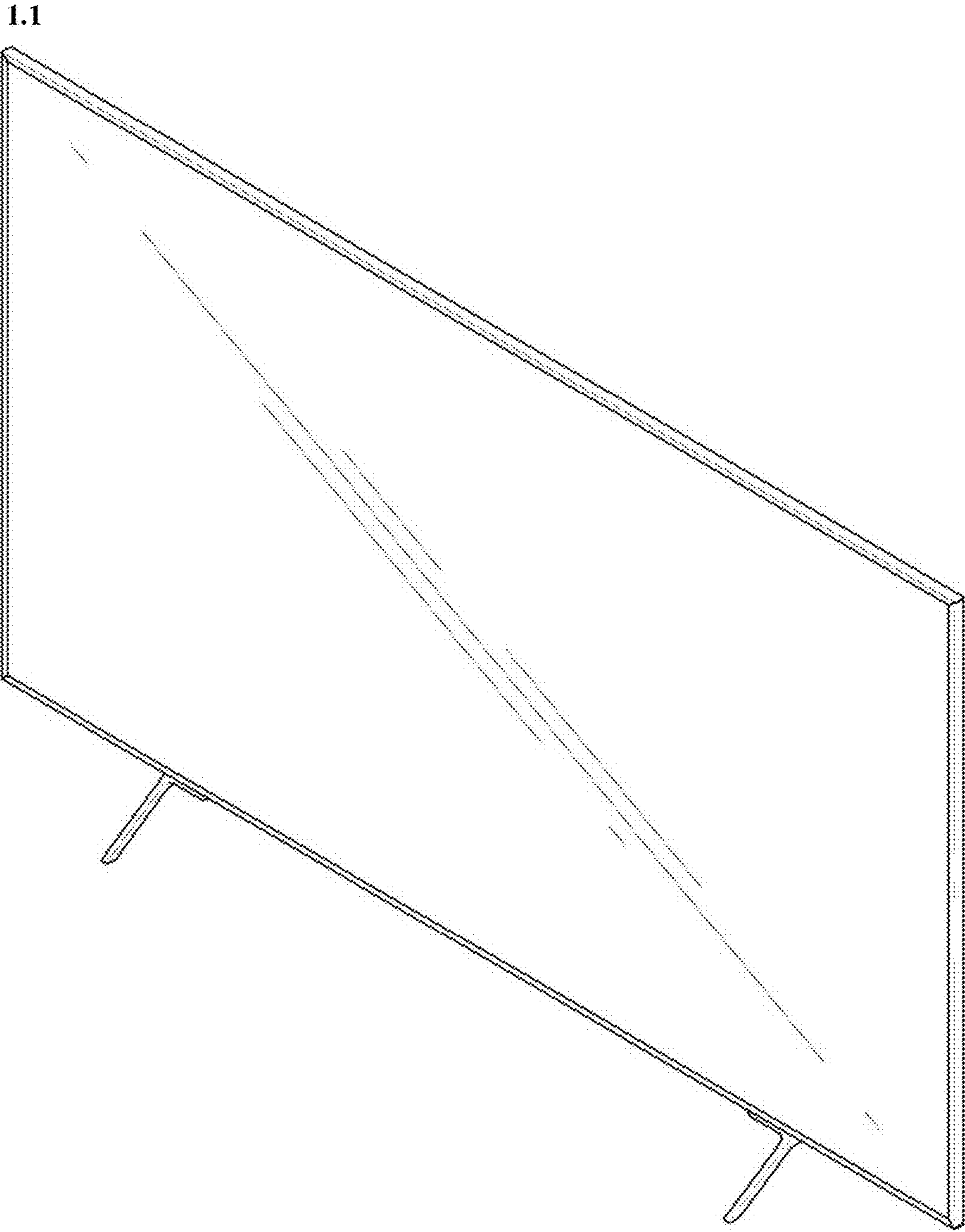
(56)

References Cited

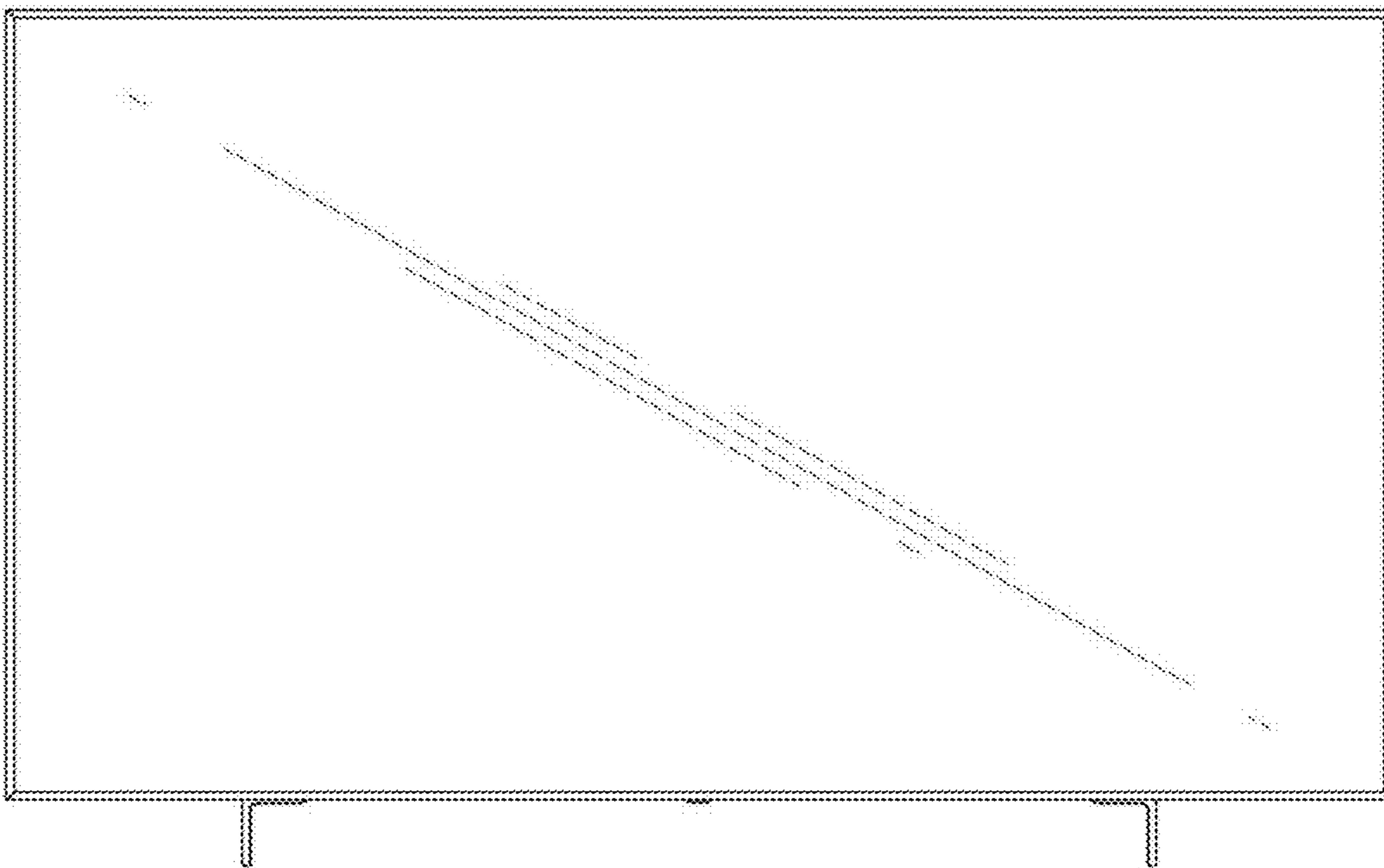
U.S. PATENT DOCUMENTS

D775,094 S	*	12/2016	Kim	D14/126
D778,854 S	*	2/2017	Lee	D14/126
D778,855 S	*	2/2017	Lee	D14/126
D780,140 S	*	2/2017	Kim	D14/126
D782,431 S	*	3/2017	Lee	D14/126
D782,991 S	*	4/2017	Kim	D14/126
D785,581 S	*	5/2017	McManigal	D14/126
D786,813 S	*	5/2017	McManigal	D14/126
D787,462 S	*	5/2017	Shiono	D14/126
D790,493 S	*	6/2017	Han	D14/126
D792,361 S	*	7/2017	Han	D14/126

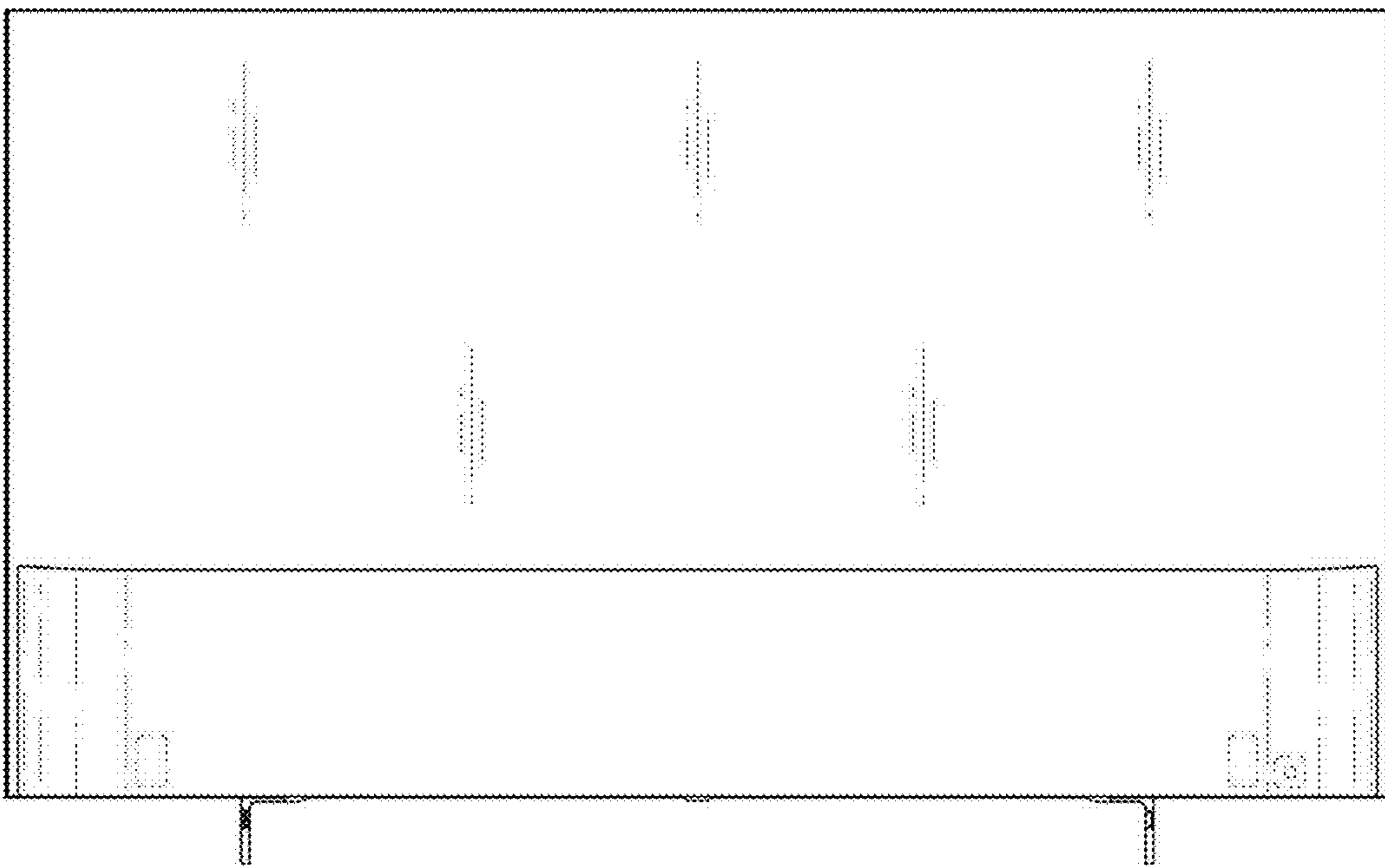
* cited by examiner



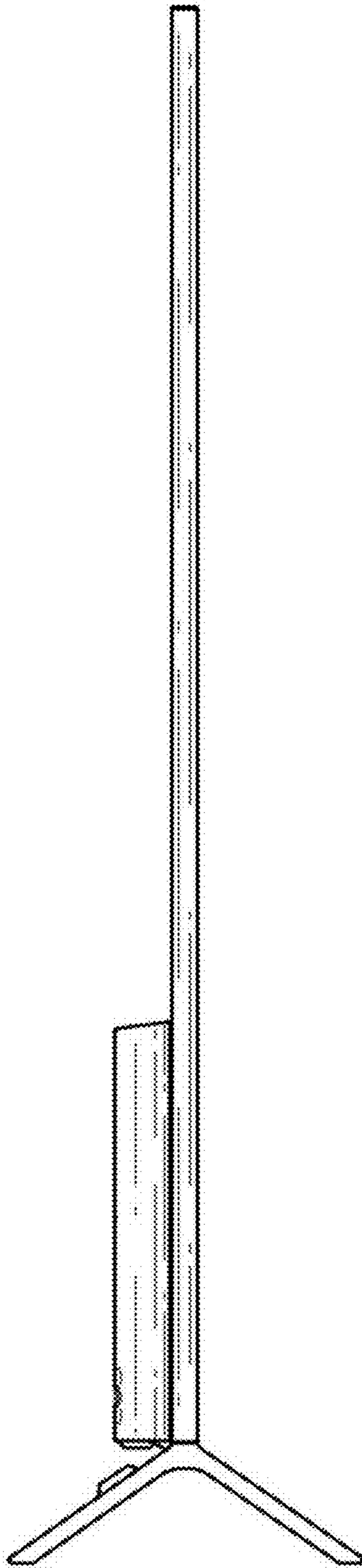
1.2



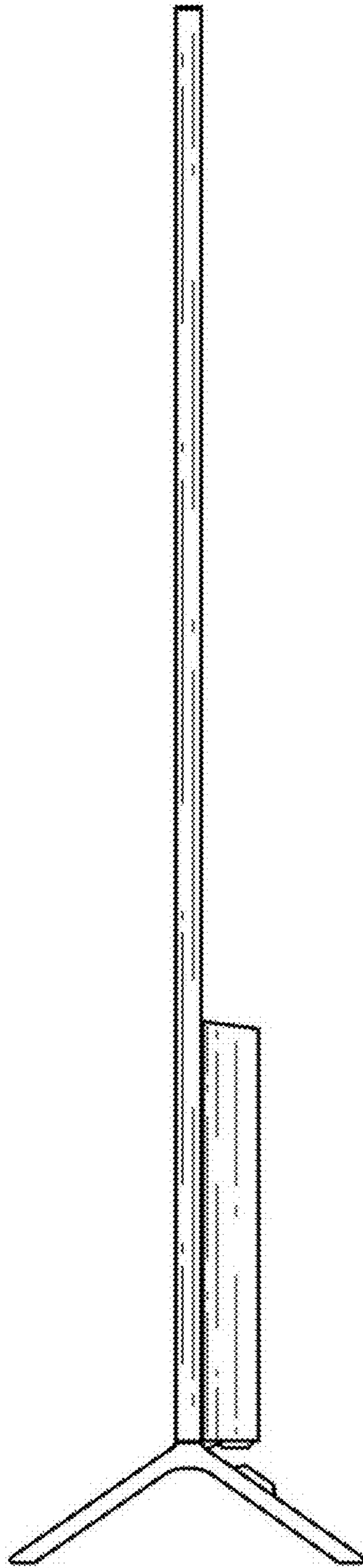
1.3

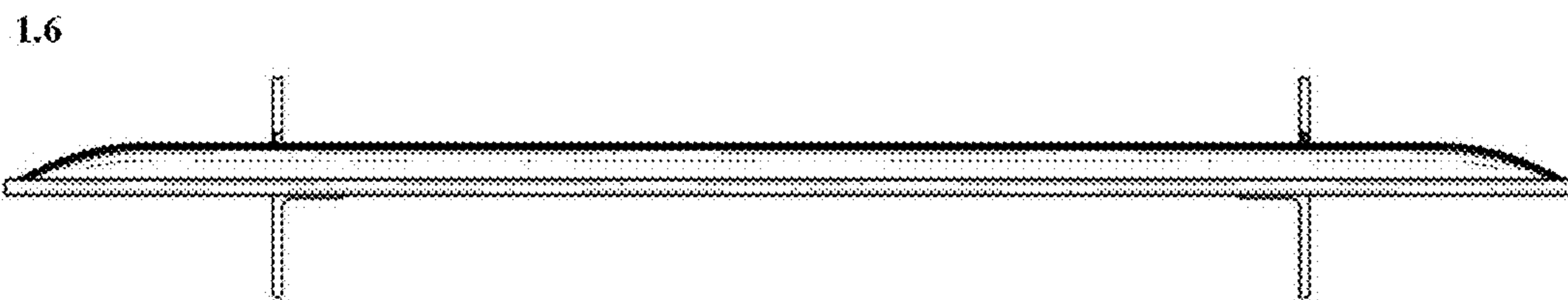


1.4



1.5





1.7

