



US00D818978S

(12) **United States Design Patent**
Won et al.

(10) **Patent No.:** **US D818,978 S**
(45) **Date of Patent:** **** May 29, 2018**

(54) **TV RECEIVER WITH WALL HANGER**

(71) Applicant: **LG ELECTRONICS INC.**, Seoul (KR)

(72) Inventors: **Hyojin Won**, Seoul (KR); **Taeho Kim**, Seoul (KR); **Yongho Lee**, Seoul (KR)

(73) Assignee: **LG ELECTRONICS INC.**, Seoul (KR)

(**) Term: **15 Years**

(21) Appl. No.: **35/501,788**

(22) Filed: **Apr. 26, 2016**

(80) **Hague Agreement Data**

Int. Filing Date: **Apr. 26, 2016**
Int. Reg. No.: **DM/091252**
Int. Reg. Date: **Apr. 26, 2016**
Int. Reg. Pub. Date: **Oct. 28, 2016**

(30) **Foreign Application Priority Data**

Nov. 2, 2015 (KR) 30-2015-0055118

(51) **LOC (11) Cl.** **14-04**

(52) **U.S. Cl.**
USPC **D14/126**

(58) **Field of Classification Search**

USPC D14/383, 385, 387, 421, 435, 134,
D14/138 AB, 138 G, 138 R, 126, 358;
D6/352, 675.2; D25/58

CPC H04N 5/64; H04N 2005/4408
See application file for complete search history.

(56) **References Cited**

U.S. PATENT DOCUMENTS

D725,071 S * 3/2015 Lee D14/138 R
D726,139 S * 4/2015 Park D14/138 R

D726,140 S * 4/2015 Park D14/138 R
D726,678 S * 4/2015 Park D14/138 R
D767,526 S * 9/2016 Lee D14/138 AB
D772,188 S * 11/2016 Kim D14/138 AB
D776,074 S * 1/2017 Choo D14/138 AB
D778,254 S * 2/2017 Choo D14/138 G
D788,726 S * 6/2017 Lee D14/138 AB
D788,734 S * 6/2017 Park D14/138 AB
D791,725 S * 7/2017 Lee D14/138 AB
D798,258 S * 9/2017 Park D14/138 AB
D798,264 S * 9/2017 Shin D14/138 G

* cited by examiner

Primary Examiner — Manpreet S Matharu

Assistant Examiner — Eliza Z Bennett-Hattan

(74) *Attorney, Agent, or Firm* — Birch, Stewart, Kolasch & Birch, LLP

(57) **CLAIM**

The ornamental design for a TV receiver with wall hanger, as shown and described.

DESCRIPTION

1. TV receiver with wall hanger

1.1 : Perspective

1.2 : Front

1.3 : Back

1.4 : Left

1.5 : Right

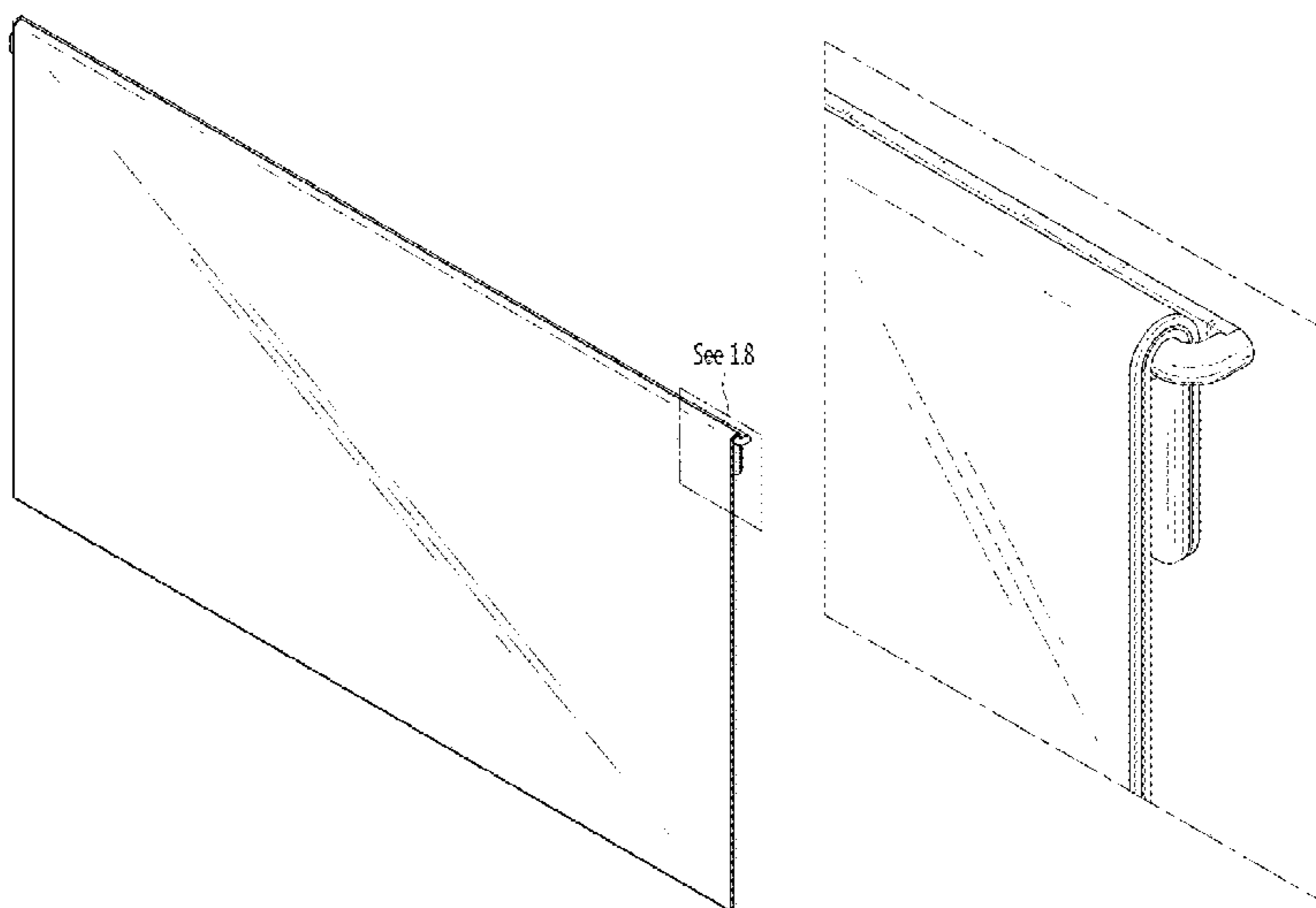
1.6 : Top

1.7 : Bottom

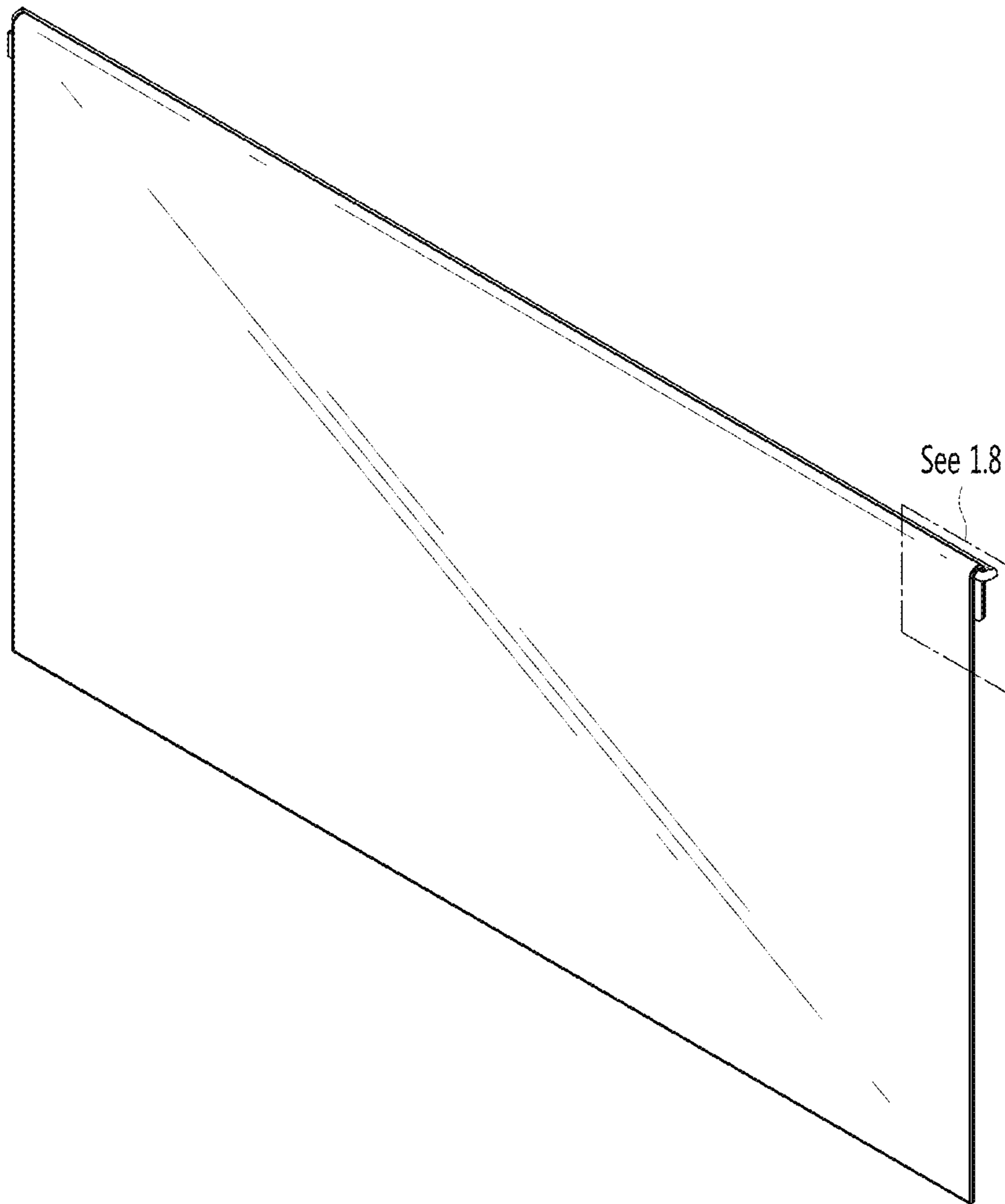
1.8 : Enlarged partial perspective view of the top right side
1.9 : Shows the TV receiver apart from the wall hanger for clarity of disclosure

The evenly-spaced broken lines shown in reproductions 1.3 and 1.7 depict unclaimed portions of the TV receiver with wall hanger and form no part of the claimed design. The dash-dot broken lines of reproductions 1.1 and 1.8 are included to show a partially enlarged view only and form no part of the claimed design.

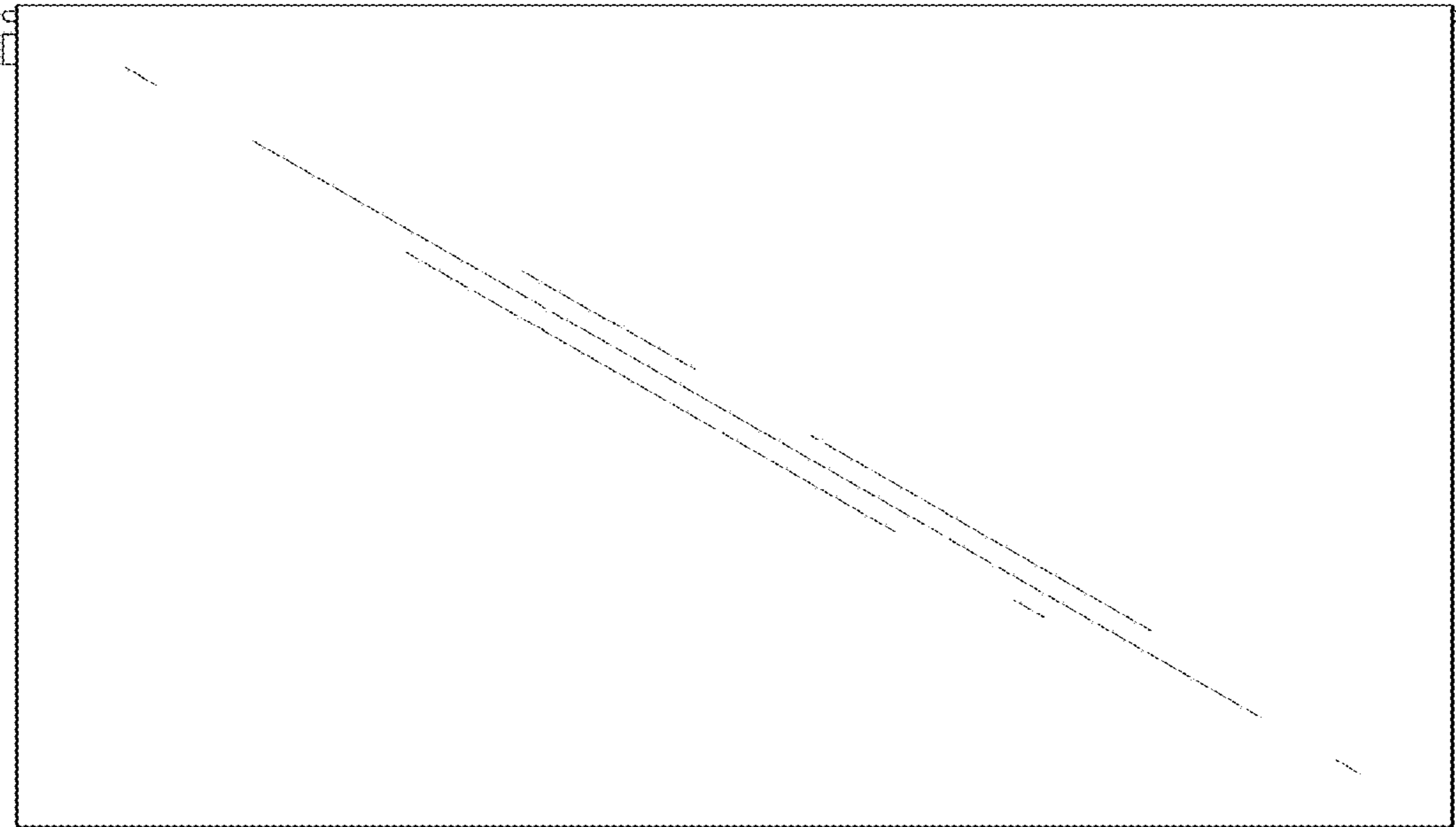
1 Claim, 8 Drawing Sheets



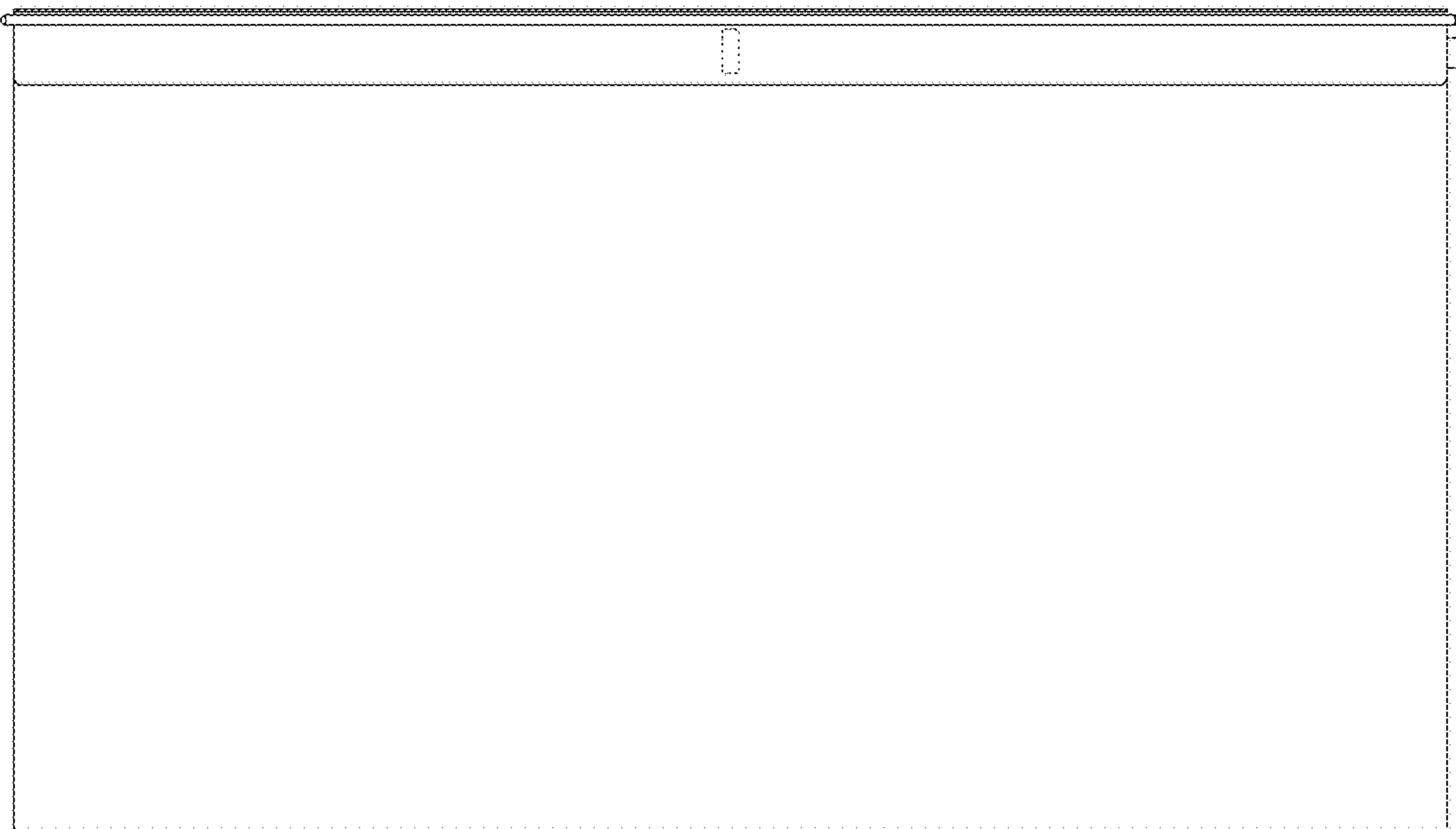
1.1



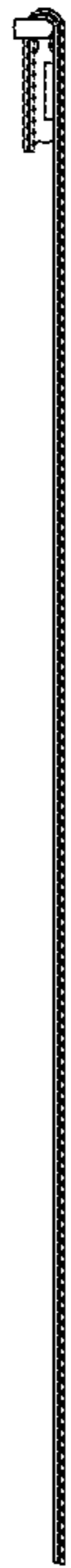
1. 2



1.3



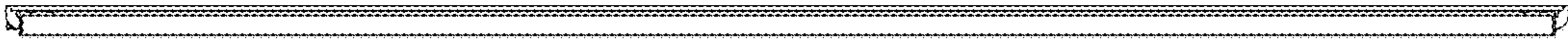
1.4



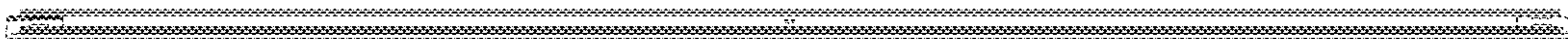
1.5



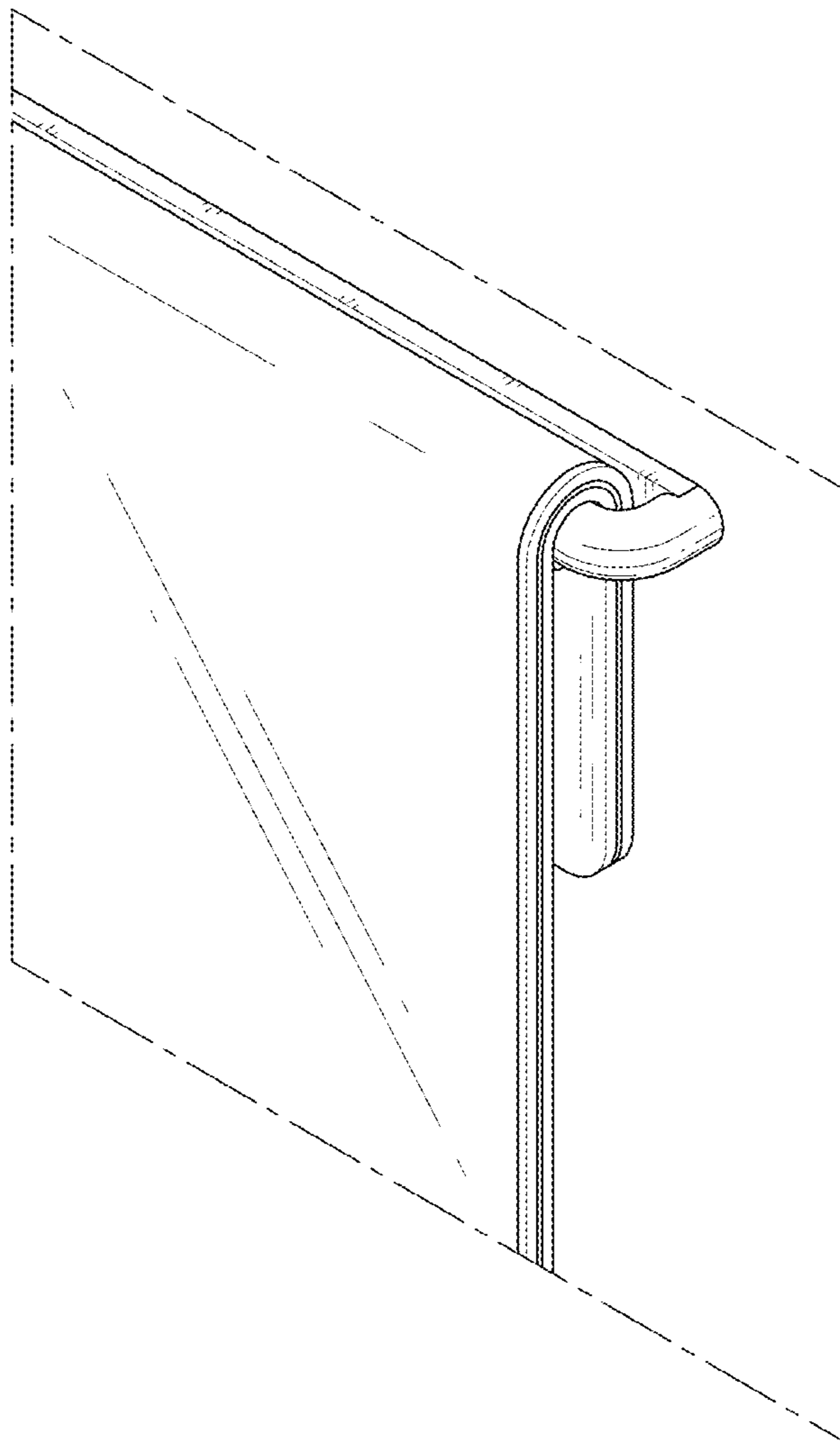
1.6



1.7



1.8



1.9

