



US00D818977S

(12) **United States Design Patent** (10) **Patent No.:** **US D818,977 S**
Kim et al. (45) **Date of Patent:** **** May 29, 2018**

(54) **TELEVISION RECEIVER**

Primary Examiner — Melanie H Tung

Assistant Examiner — Bao-Yen T Nguyen

(71) Applicant: **LG ELECTRONICS INC.**, Seoul (KR)

(74) *Attorney, Agent, or Firm* — Birch, Stewart, Kolasch & Birch, LLP

(72) Inventors: **Byungsoo Kim**, Seoul (KR); **Seongahn Jeon**, Seoul (KR); **Hana Kim**, Seoul (KR)

(57) **CLAIM**

The ornamental design for a television receiver, as shown and described.

(73) Assignee: **LG ELECTRONICS INC.**, Seoul (KR)

(**) Term: **15 Years**

DESCRIPTION

(21) Appl. No.: **35/501,316**

1. Television receiver

(22) Filed: **Feb. 3, 2016**

1.1 : Perspective

1.2 : Front

(80) **Hague Agreement Data**

Int. Filing Date: **Feb. 3, 2016**

Int. Reg. No.: **DM/089379**

Int. Reg. Date: **Feb. 3, 2016**

Int. Reg. Pub. Date: **Aug. 5, 2016**

1.3 : Back

1.4 : Left

1.5 : Right

1.6 : Top

1.7 : Bottom

1.8 : Perspective

1.9 : Front

1.10 : Back

(30) **Foreign Application Priority Data**

Aug. 5, 2015 (KR) 30-2015-0039643

1.11 : Left

1.12 : Right

1.13 : Top

1.14 : Bottom

(51) **LOC (11) Cl.** **14-03**

1.15 : Perspective

(52) **U.S. Cl.**

USPC **D14/126**

1.16 : Front

1.17 : Back

(58) **Field of Classification Search**

USPC D14/125-134, 136, 159, 239, 336, 342,

D14/371, 374-377, 440, 448, 450;

D21/329, 515, 577, 622

1.18 : Left

1.19 : Right

1.20 : Top

1.21 : Bottom

(Continued)

Figures 1.1-1.21 show one (1) design. The subject design is characterized by a rollable display. Figures 1.1-1.7 show the unused state of the subject design with the display unit rolled and unexposed. Figures 1.8-1.14 show an intermediate state of the subject design with the display unit partially exposed. Figures 1.15-1.21 show the use state of the subject design with the display unit fully exposed.

(Continued)

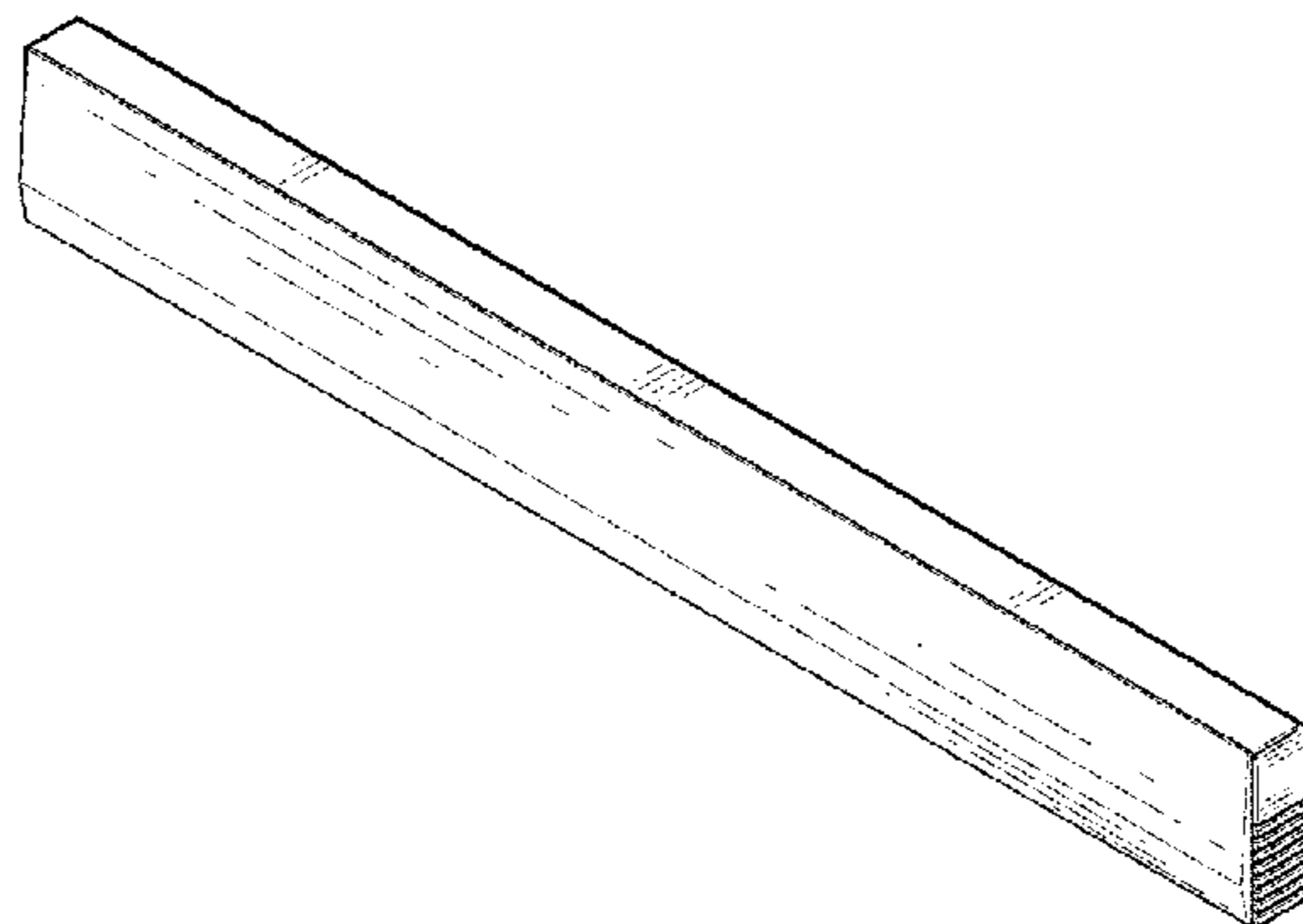
(56) **References Cited**

U.S. PATENT DOCUMENTS

D735,709 S * 8/2015 Daniel D14/341

D737,234 S * 8/2015 Kim D14/126

(Continued)



The broken lines shown are included for the purpose of illustrating portions of the article and form no part of the claimed design.

1 Claim, 8 Drawing Sheets

(58) Field of Classification Search

CPC ... G06F 1/1601; G06F 1/1643; H05K 5/0004;
H05K 5/0017; H05K 5/02; H05K 5/0217
See application file for complete search history.

(56) References Cited

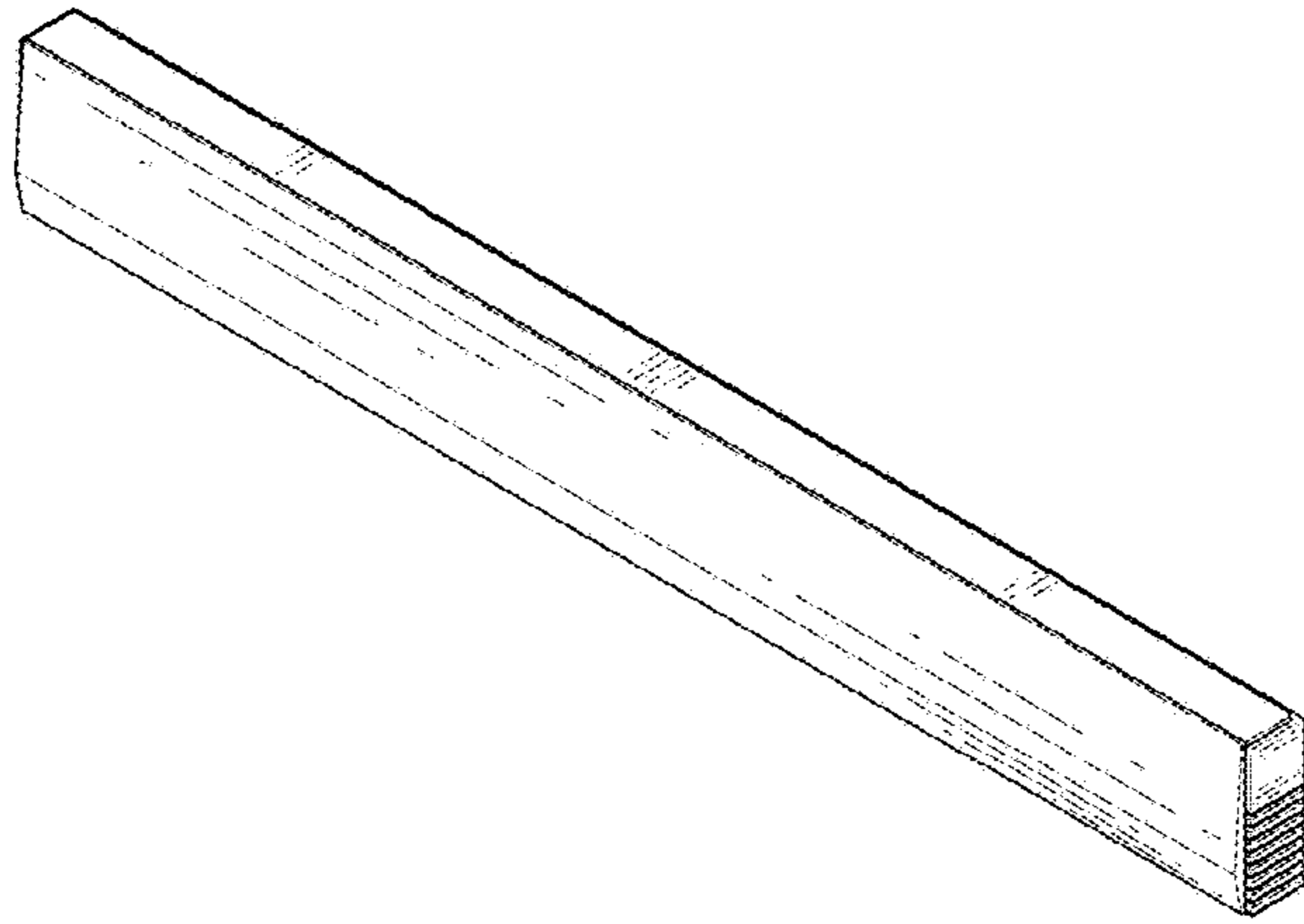
U.S. PATENT DOCUMENTS

D737,235 S * 8/2015 Kim D14/126
D744,998 S * 12/2015 Ahn D14/341

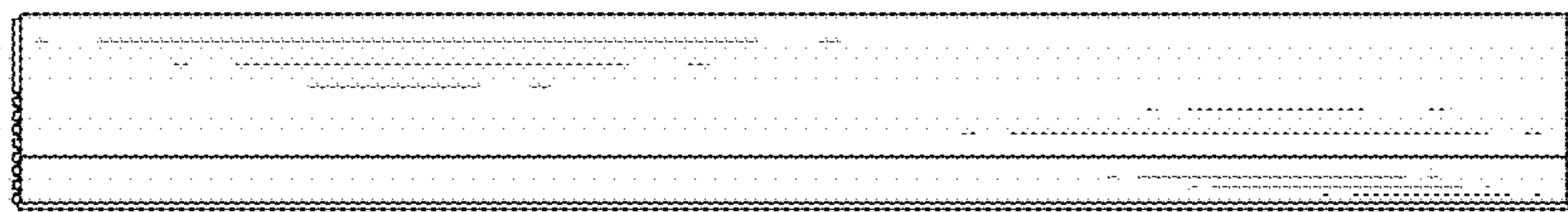
D761,222 S * 7/2016 Yoo D14/126
D763,238 S * 8/2016 Kim D14/126
D772,830 S * 11/2016 Kim D14/126
D773,420 S * 12/2016 Kim D14/126
D774,485 S * 12/2016 Kano D14/126
D776,072 S * 1/2017 Kim D14/126
D778,860 S * 2/2017 Kim D14/126
D780,140 S * 2/2017 Kim D14/126
D789,923 S * 6/2017 Magi D14/126
D791,094 S * 7/2017 Han D14/126
2008/0212271 A1* 9/2008 Misawa G02F 1/133305
361/679.01
2014/0213324 A1* 7/2014 Tan H04M 1/0268
455/566
2015/0047796 A1* 2/2015 Peng E06B 9/42
160/323.1
2015/0153777 A1* 6/2015 Liu G06F 1/1652
345/173

* cited by examiner

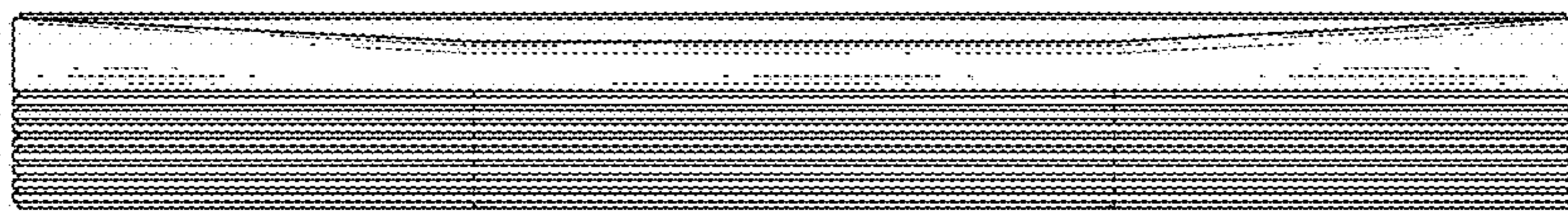
1.1



1.2



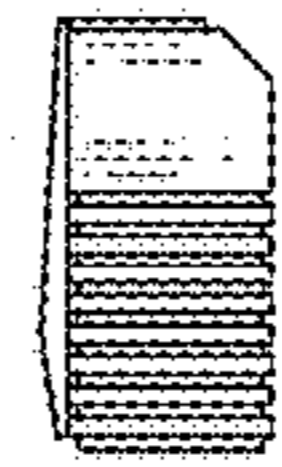
1.3



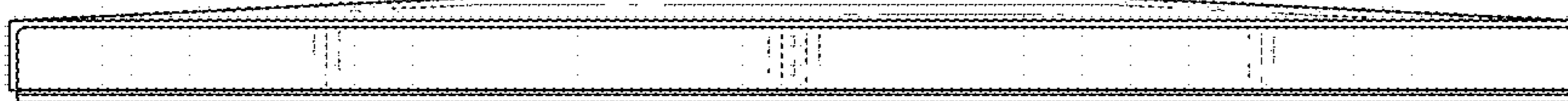
1.4



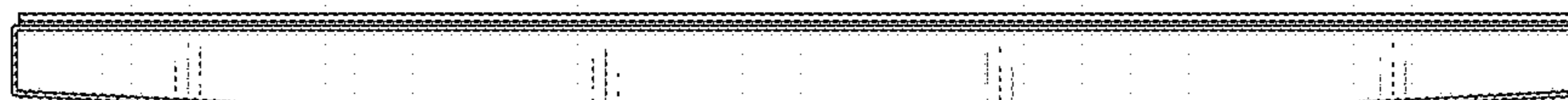
1.5



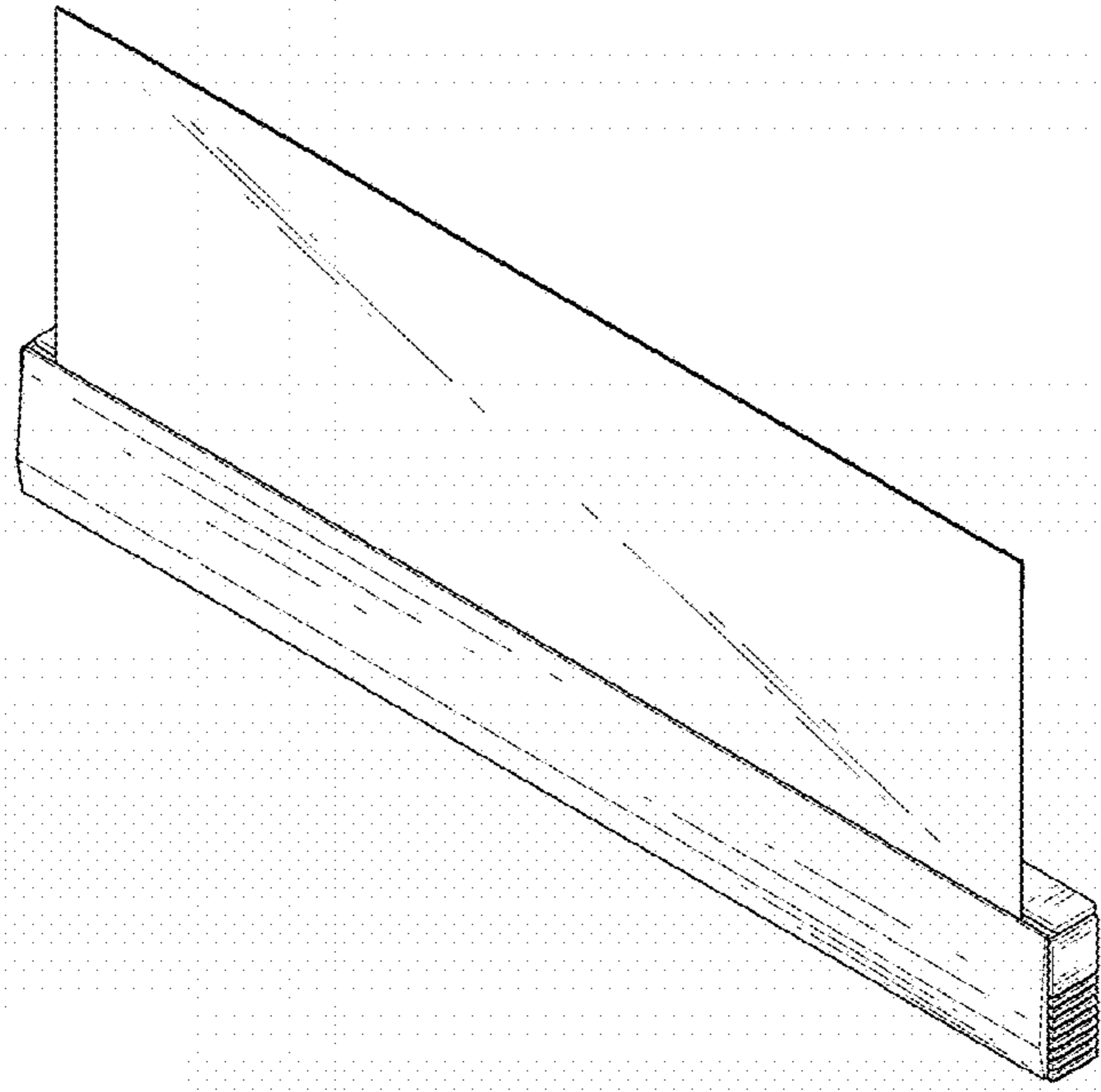
1.6



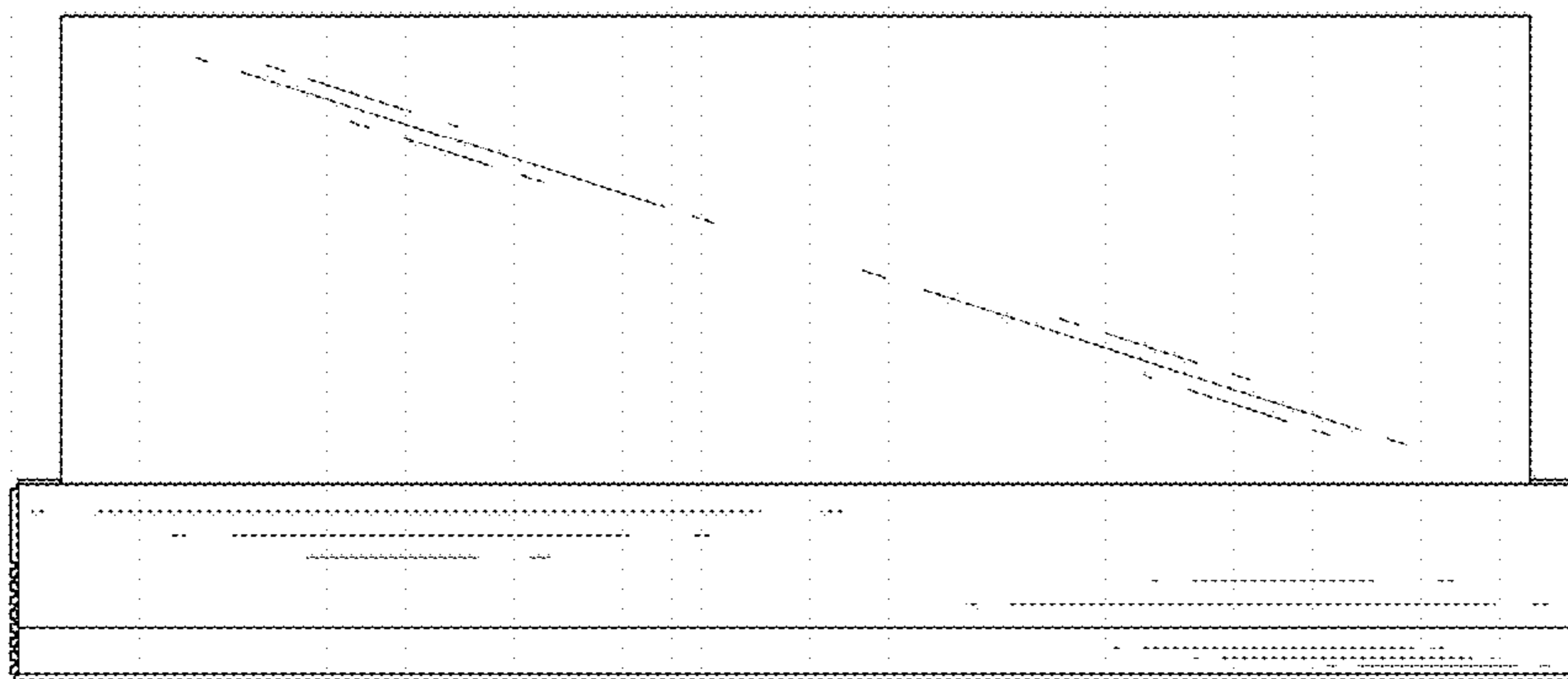
1.7



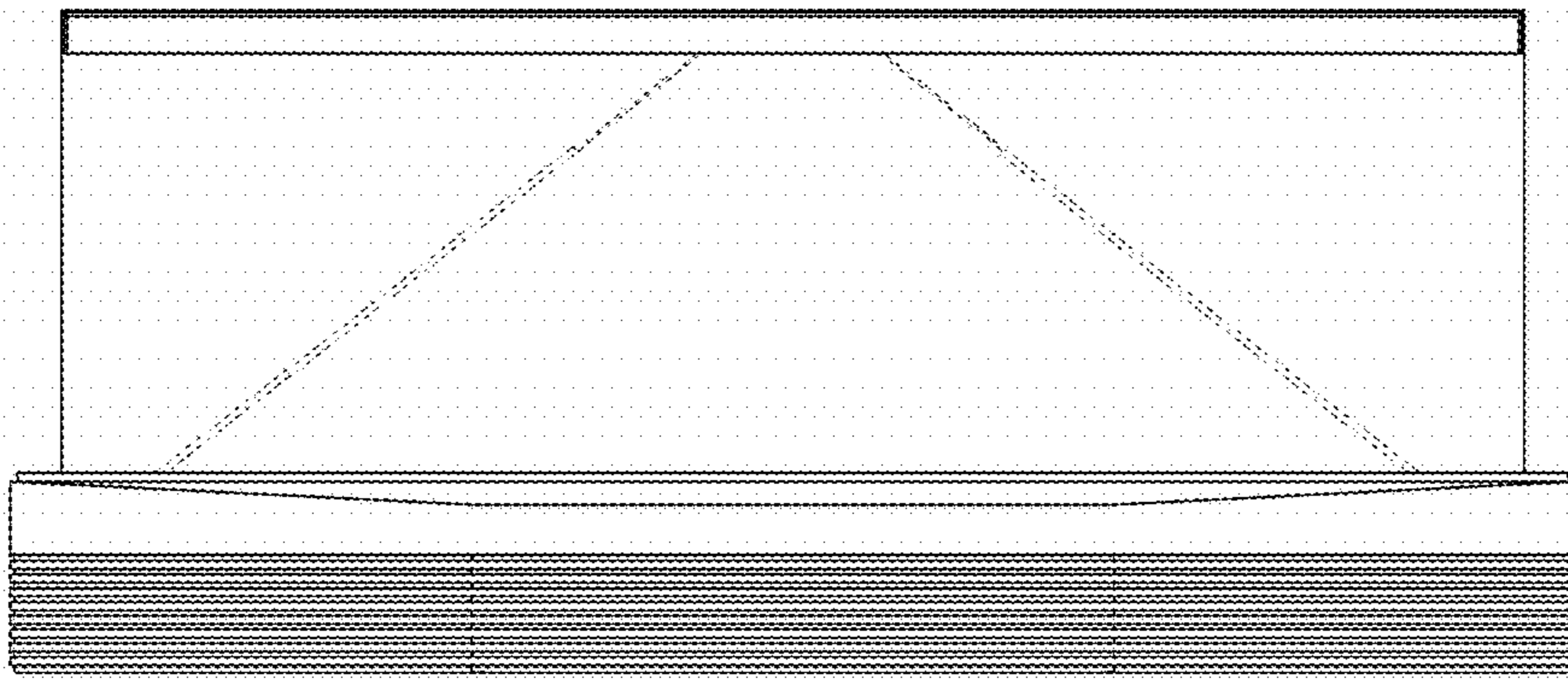
1.8



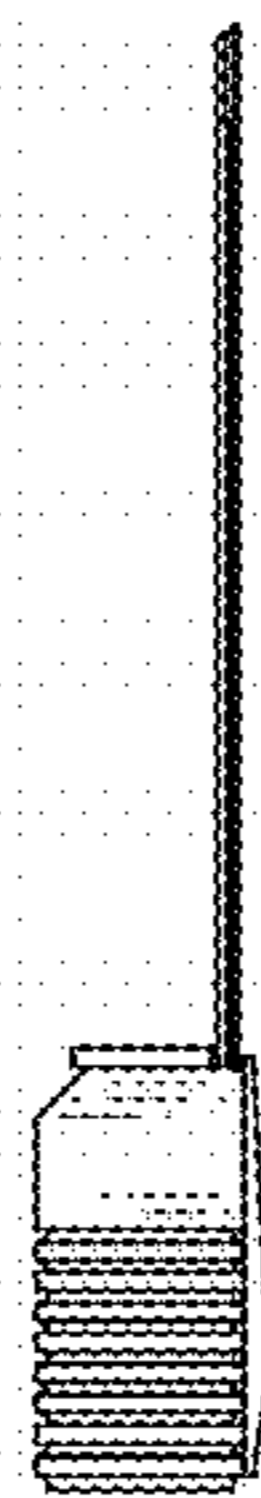
1.9



1.10



1.11



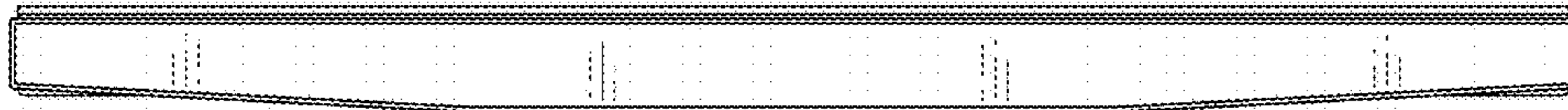
1.12



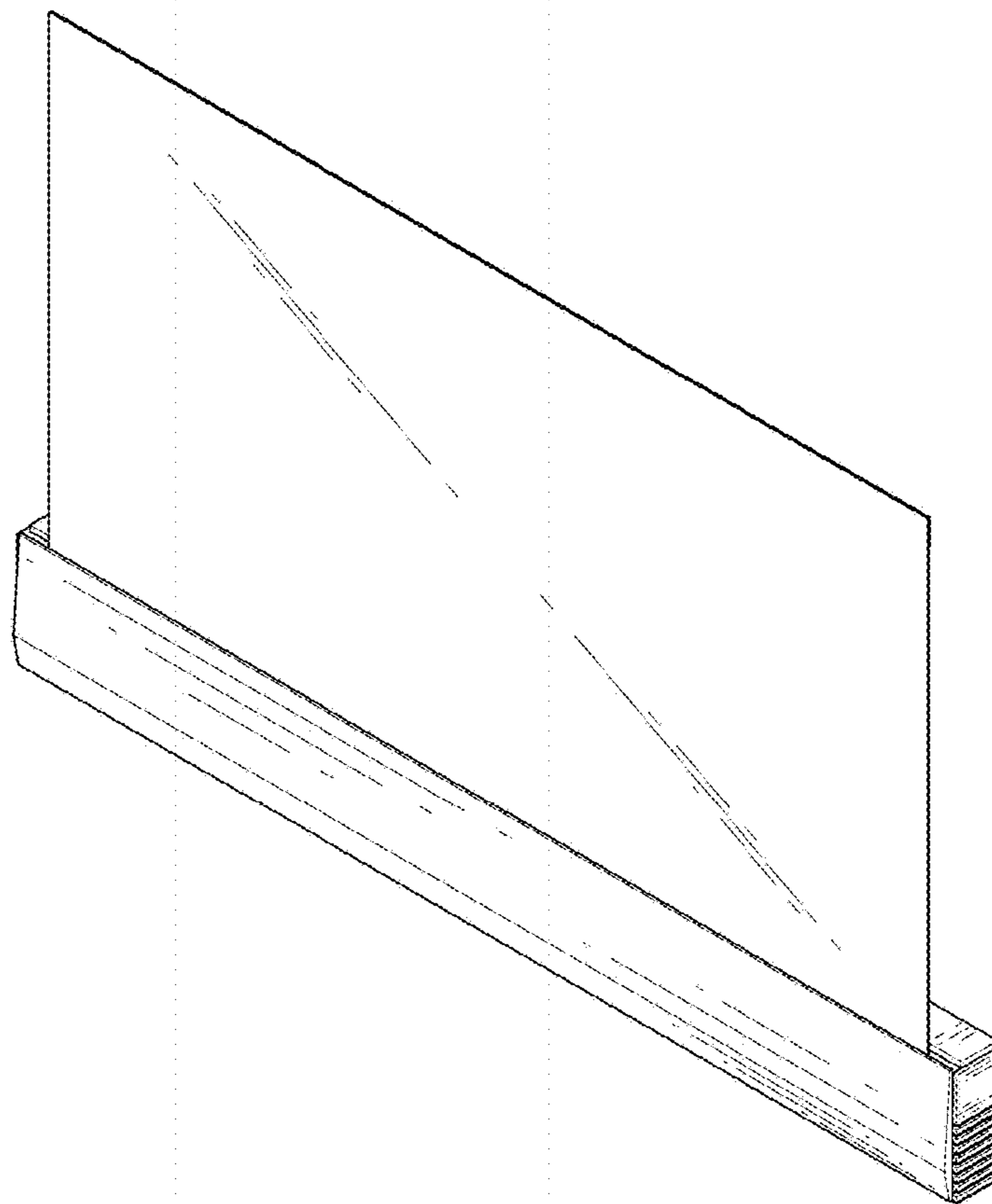
1.13



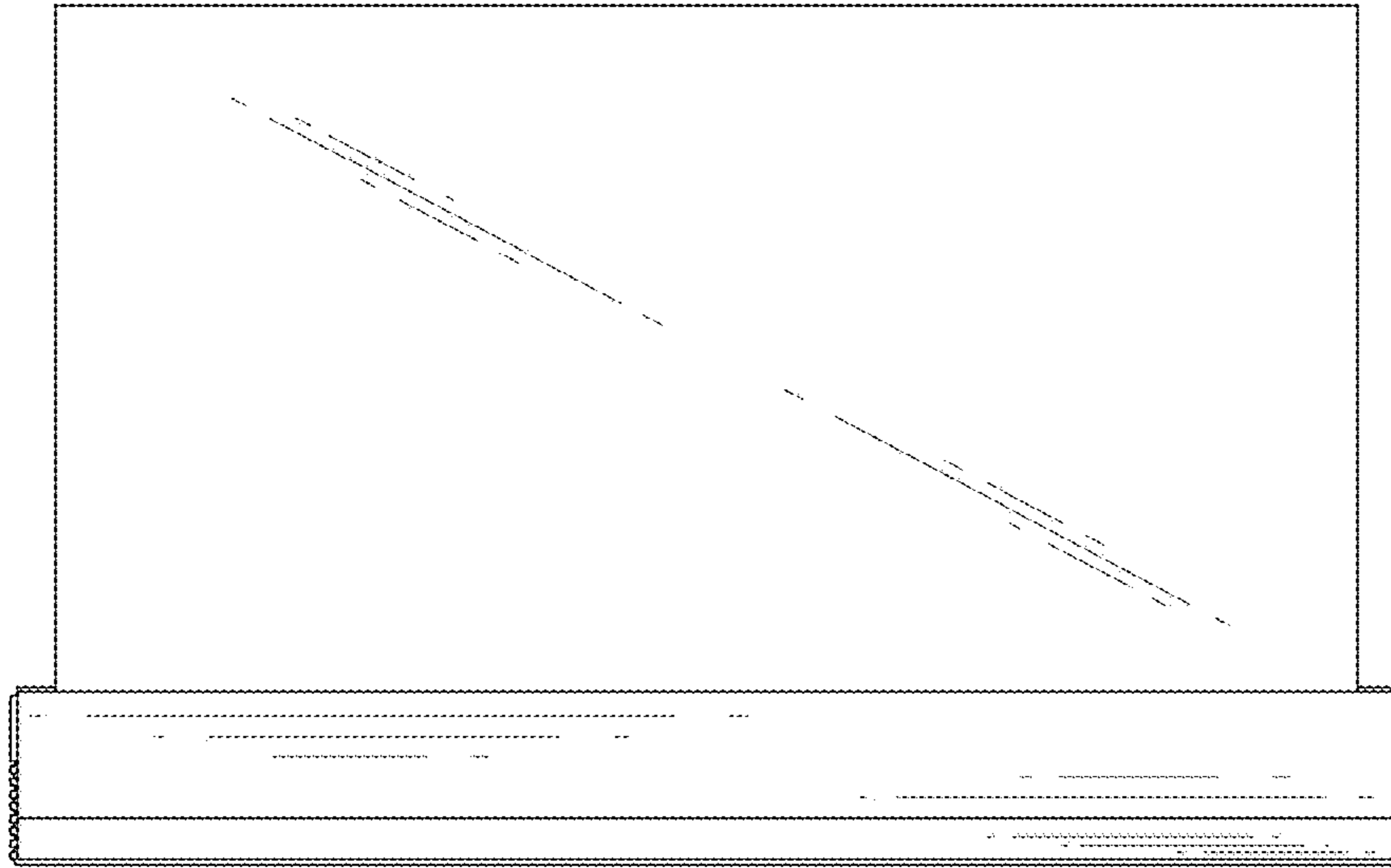
1.14



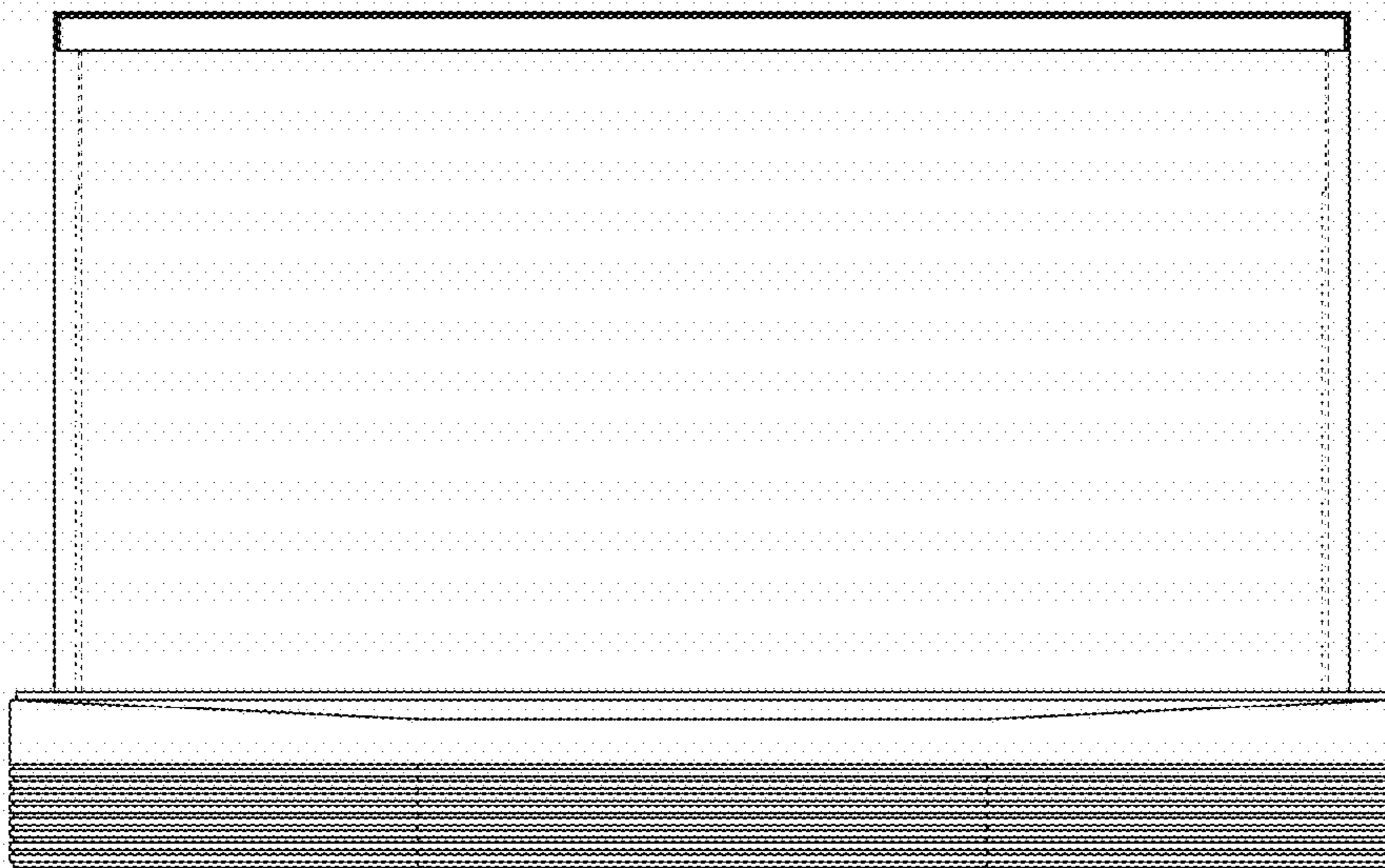
1.15



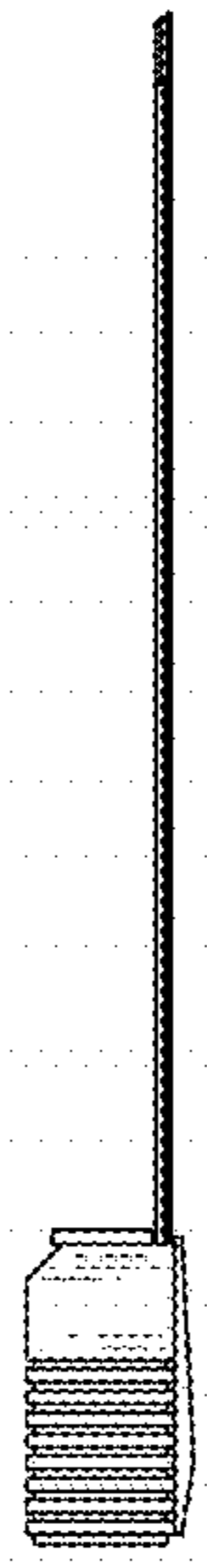
1.16



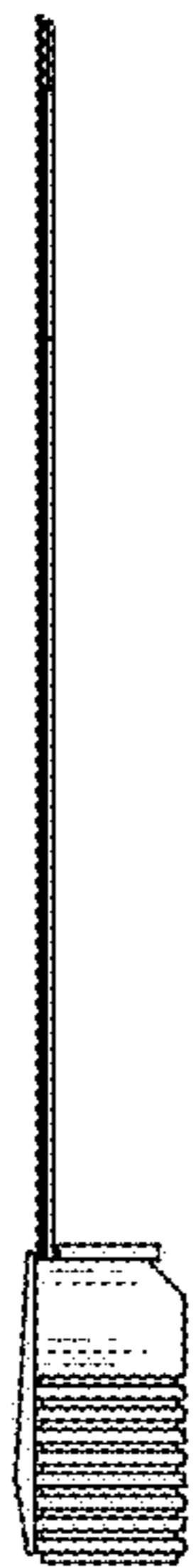
1.17



1.18



1.19



1.20



1.21

