



US00D818976S

(12) **United States Design Patent**
Hotta et al.

(10) **Patent No.:** **US D818,976 S**
(45) **Date of Patent:** **** May 29, 2018**

(54) **TELEVISION SET**
(71) Applicant: **SHARP KABUSHIKI KAISHA,**
Sakai, Osaka (JP)
(72) Inventors: **Akihiko Hotta,** Sakai (JP); **Yusuke**
Konishi, Sakai (JP); **Naoya Amari,**
Sakai (JP)
(73) Assignee: **Sharp Kabushiki Kaisha,** Sakai, Osaka
(JP)

D338,668 S 8/1993 Saito et al.
D342,497 S 12/1993 Saito et al.
D342,501 S 12/1993 Saeki et al.
D342,509 S 12/1993 Saito et al.
D351,155 S 10/1994 Usami et al.
D351,156 S 10/1994 Usami et al.
D351,157 S 10/1994 Usami et al.
D357,244 S 4/1995 Usami et al.
D357,245 S 4/1995 Usami et al.
D357,472 S 4/1995 Usami et al.

(Continued)

(**) Term: **15 Years**

(21) Appl. No.: **29/590,429**

(22) Filed: **Jan. 10, 2017**

(30) **Foreign Application Priority Data**

Jul. 14, 2016 (JP) 2016-015017

(51) **LOC (11) Cl.** **14-03**

(52) **U.S. Cl.**
USPC **D14/126**

(58) **Field of Classification Search**

USPC D14/125-134, 239, 371, 136, 374-377,
D14/440, 450, 448, 336, 342, 159;
312/7.2; 348/836, 838, 180, 184, 325,
348/739; 248/917-924, 465; 345/104,
345/133, 156, 168, 87, 173; D21/329,
D21/515, 577, 622, 333, 433, 448, 452,
D21/450, 331, 505; D10/15, 26;
446/484, 175, 356; D6/477, 479, 300;
D24/185; D34/14

CPC ... G06F 1/1601; G06F 1/1643; H05K 5/0004;
H05K 5/0017; H05K 5/02; H05K 5/0217

See application file for complete search history.

(56) **References Cited**

U.S. PATENT DOCUMENTS

D336,645 S 6/1993 Saito et al.
D337,113 S 7/1993 Saito et al.

OTHER PUBLICATIONS

Design U.S. Appl. No. 29/590,439, filed Jan. 10, 2017, entitled
“Television Set”.

(Continued)

Primary Examiner — Randall H Gholson

(74) *Attorney, Agent, or Firm* — Nixon & Vanderhye P.C.

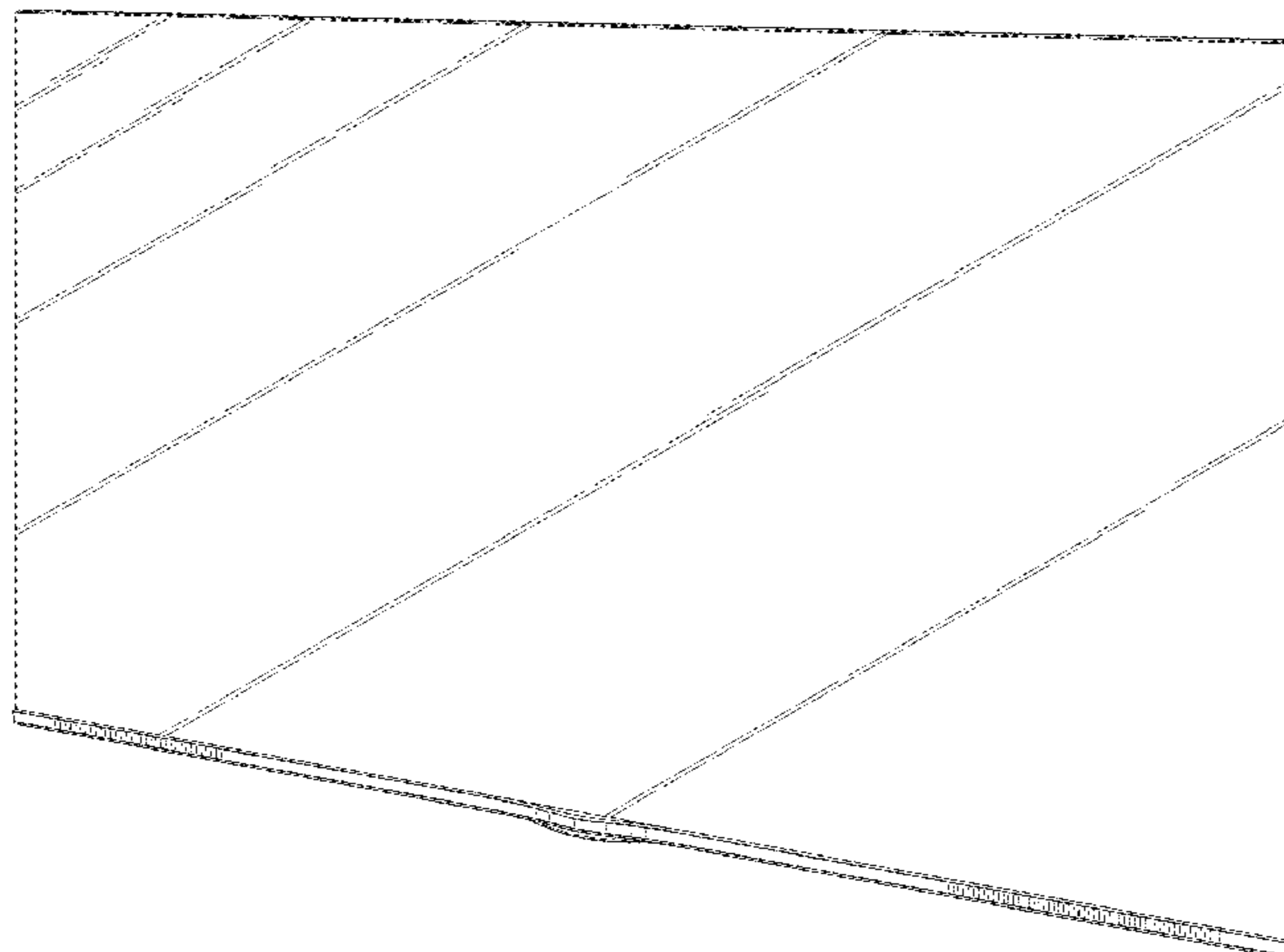
(57) **CLAIM**

The ornamental design for a “television set,” as shown and
described.

DESCRIPTION

FIG. 1 is a front perspective view of a television set in
accordance with our new design;
FIG. 2 is a front elevation view thereof;
FIG. 3 is rear elevation view thereof;
FIG. 4 is a top plan view thereof;
FIG. 5 is a bottom plan view thereof;
FIG. 6 is a right-side elevation view thereof; and
FIG. 7 is a left-side elevation view thereof.
FIG. 8 is a right side sectioned view taken along line 8-8 of
FIG. 2, omitting internal structure.
FIG. 9 is a right side sectioned view taken along line 9-9 of
FIG. 3, omitting internal structure; and,
FIG. 10 is a right side sectioned view taken along line 10-10
of FIG. 3, omitting internal structure.

1 Claim, 7 Drawing Sheets



(56)

References Cited

U.S. PATENT DOCUMENTS

D369,596 S	5/1996	Akiyama et al.	D575,248 S	8/2008	Fujii et al.
D371,552 S	7/1996	Akiyama et al.	D584,255 S	1/2009	Kita
D372,026 S	7/1996	Akiyama et al.	D584,256 S	1/2009	Kita
D373,583 S	9/1996	Akiyama et al.	D584,257 S	1/2009	Kita
D412,891 S	8/1999	Sumii	D584,702 S	1/2009	Iinuma et al.
D427,169 S	6/2000	Saeki et al.	D584,703 S	1/2009	Kimura et al.
D429,227 S	8/2000	Shimizu	D584,705 S	1/2009	Shimamoto
D431,537 S	10/2000	Saeki et al.	D585,396 S	1/2009	Kita
D438,848 S	3/2001	Kita	D586,769 S	2/2009	Kita
D439,224 S	3/2001	Kita	D609,659 S	2/2010	VanDuyn
D439,225 S	3/2001	Kita	D620,461 S	7/2010	Han et al.
D453,747 S	2/2002	Kita	D634,722 S	3/2011	Kim et al.
D453,748 S	2/2002	Kita	D634,723 S	3/2011	Park et al.
D456,370 S	4/2002	Kita	D637,168 S	5/2011	Kodera et al.
D458,910 S	6/2002	Kita	D637,571 S	5/2011	Chiu et al.
D492,269 S	6/2004	Kita	D638,388 S	5/2011	Fujii et al.
D496,915 S	10/2004	Kita	D646,244 S	10/2011	Araki
D497,351 S	10/2004	Kita	D653,636 S	2/2012	Lee et al.
D497,599 S	10/2004	Kita	D656,472 S	3/2012	Iida et al.
D499,076 S	11/2004	Kita	D657,327 S	4/2012	Iida et al.
D501,186 S	1/2005	Kita	D661,270 S	6/2012	Cha et al.
D501,654 S	2/2005	Kita	D663,705 S	7/2012	Park et al.
D502,451 S	3/2005	Kita	D664,940 S	8/2012	Kim et al.
D502,931 S	3/2005	Kita	D666,165 S	8/2012	Kim et al.
D505,123 S	5/2005	Kita	D668,237 S	10/2012	Chino et al.
D505,403 S	5/2005	Kita	D671,923 S	12/2012	Seong et al.
D510,731 S	10/2005	Kita	D678,230 S	3/2013	Yamamizu et al.
D512,385 S	12/2005	Kita	D679,671 S	4/2013	Fujii et al.
D512,386 S	12/2005	Kita	D679,672 S	4/2013	Fujii et al.
D512,387 S	12/2005	Kita	D680,087 S	4/2013	Fujii et al.
D536,678 S	2/2007	Kita	D680,089 S	4/2013	Cho et al.
D538,242 S	3/2007	Kita	D680,106 S	4/2013	Hwangbo et al.
D538,762 S	3/2007	Fujii et al.	D680,981 S	4/2013	Kim et al.
D538,763 S	3/2007	Fujii et al.	D682,230 S	5/2013	Lee et al.
D539,766 S	4/2007	Kita	D682,232 S	5/2013	Lee et al.
D540,281 S	4/2007	Kita	D686,583 S	7/2013	Yoo et al.
D540,282 S	4/2007	Kita	D686,584 S	7/2013	Yoo et al.
D540,284 S	4/2007	Kita	D686,585 S	7/2013	Yoon et al.
D540,285 S	4/2007	Kita	D687,000 S	7/2013	Gomi et al.
D541,237 S	4/2007	Kita	D687,036 S	7/2013	Seong
D541,240 S	4/2007	Kita	8,537,531 B2	9/2013	Gotham et al.
D541,766 S	5/2007	Kita	D691,571 S	10/2013	Park et al.
D541,772 S	5/2007	Kita	D691,573 S	10/2013	Iida et al.
D541,774 S	5/2007	Kita	D691,976 S	10/2013	Hotta et al.
D541,775 S	5/2007	Kita	D691,977 S	10/2013	Lee et al.
D543,519 S	5/2007	Kita	D694,208 S	11/2013	Duys et al.
D544,850 S	6/2007	Kita	D694,210 S	11/2013	Fujii et al.
D545,279 S	6/2007	Bloem	D695,027 S	12/2013	Zadro
D545,282 S	6/2007	Kita	D695,245 S	12/2013	Hara et al.
D545,775 S	7/2007	Kita	D697,884 S	1/2014	Lee
D545,779 S	7/2007	Kita	D700,155 S	2/2014	McManigal
D545,780 S	7/2007	Kita	D700,156 S	2/2014	Lv et al.
D546,301 S	7/2007	Kita	D700,187 S	2/2014	Lee
D546,302 S	7/2007	Kita	D703,167 S	4/2014	McManigal
D546,303 S	7/2007	Fujii et al.	D703,627 S	4/2014	Son
D548,206 S	8/2007	Han	D704,157 S	5/2014	Cha et al.
D548,226 S	8/2007	Ohba et al.	D705,185 S	5/2014	Jeon et al.
D551,187 S	9/2007	Kita	D705,200 S	5/2014	Choi
D552,050 S	10/2007	Fujii et al.	D708,157 S	7/2014	Park
D552,090 S	10/2007	Kita	D708,596 S	7/2014	Park
D552,569 S	10/2007	Kita	D715,755 S	10/2014	Jang et al.
D552,571 S	10/2007	Fujii et al.	D716,244 S	10/2014	Kim et al.
D554,085 S	10/2007	Kita	D717,753 S	11/2014	Totsuka et al.
D562,275 S	2/2008	Iinuma et al.	D719,119 S	12/2014	Park
D563,337 S	3/2008	Bloem	D719,538 S	12/2014	Lee et al.
D564,989 S	3/2008	Kita	D719,539 S	12/2014	Ryu et al.
D566,067 S	4/2008	Kita	D720,316 S	12/2014	Huh et al.
D567,197 S	4/2008	Kita	D721,049 S	1/2015	Lee
D568,264 S	5/2008	Fujii et al.	D722,989 S	2/2015	Park
D568,265 S	5/2008	Fujii et al.	D723,483 S	3/2015	Lee
D568,266 S	5/2008	Shimamoto	D723,484 S	3/2015	Hwangbo et al.
D568,844 S	5/2008	Fujii et al.	D724,041 S	3/2015	Li et al.
D570,311 S	6/2008	Kita	D724,042 S	3/2015	Chang
D570,312 S	6/2008	Kita	D726,135 S	4/2015	Takechi
D571,320 S	6/2008	Kita	D729,755 S	5/2015	McManigal
			D730,855 S	6/2015	Kim et al.
			D731,450 S	6/2015	Son et al.
			D733,671 S	7/2015	Lu et al.
			D734,283 S	7/2015	Mitsui

(56)

References Cited

U.S. PATENT DOCUMENTS

D734,284 S	7/2015	Dai et al.	
D735,152 S	7/2015	Cha et al.	
D735,685 S	8/2015	Kim	
D737,791 S	9/2015	Han	
D743,953 S *	11/2015	Ann	D14/239
D745,864 S *	12/2015	Jung	D14/239
D746,244 S	12/2015	Itai et al.	
D748,070 S	1/2016	Hotta	
D748,596 S	2/2016	McManigal	
D751,519 S	3/2016	Ma	
D752,533 S	3/2016	Yamaguchi	
D753,081 S	4/2016	Kodera et al.	
D753,082 S	4/2016	Tanimura et al.	
D753,617 S *	4/2016	Zhang	D14/126
D753,619 S	4/2016	Itai et al.	
D757,694 S	5/2016	Itai et al.	
D760,706 S *	7/2016	Son	D14/239
D765,049 S	8/2016	Tanimura et al.	
D767,517 S	9/2016	Gomi et al.	

OTHER PUBLICATIONS

Notice of Allowance dated Feb. 5, 2018 in Design U.S. Appl. No. 29/590,439.

* cited by examiner

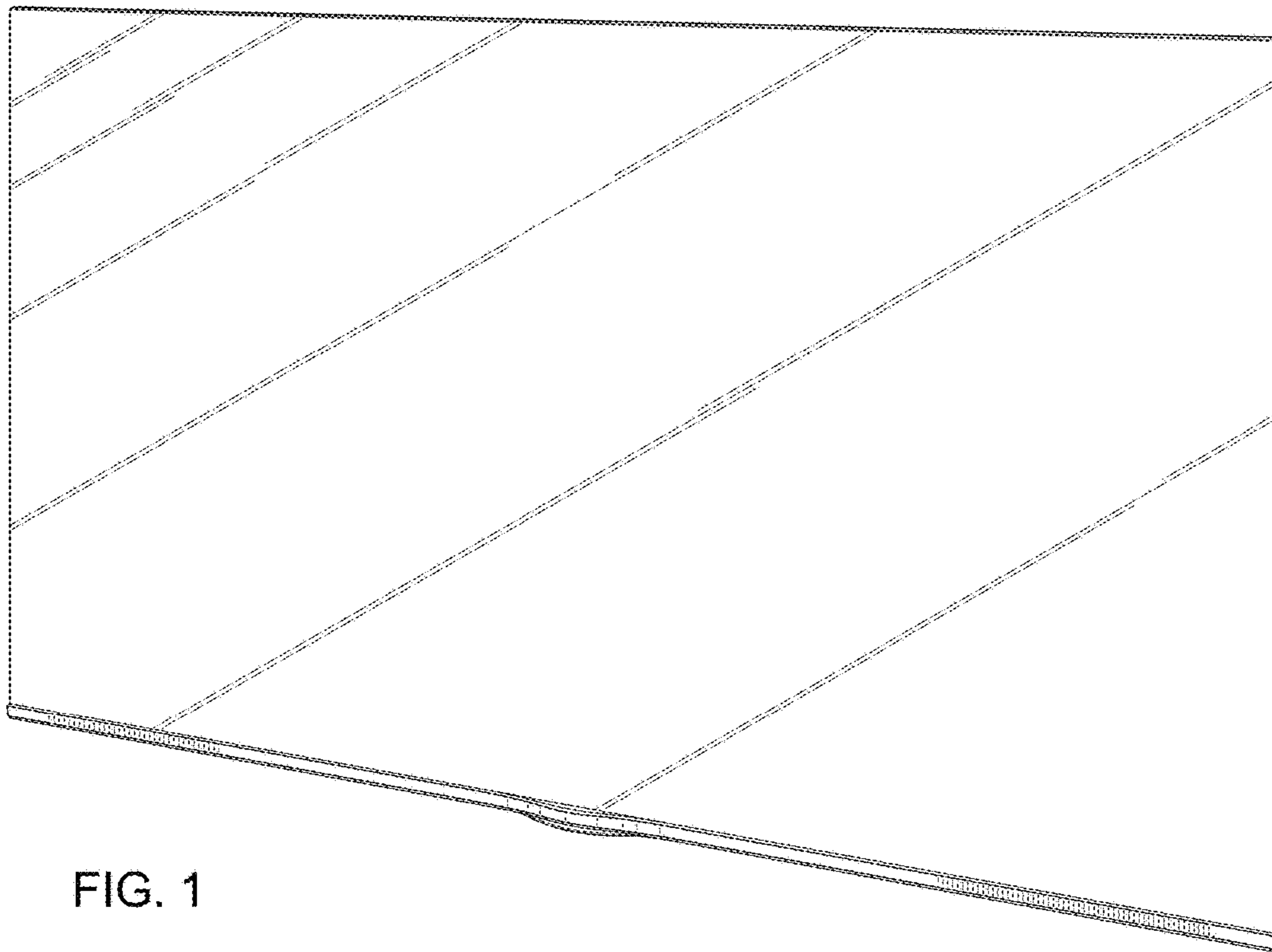
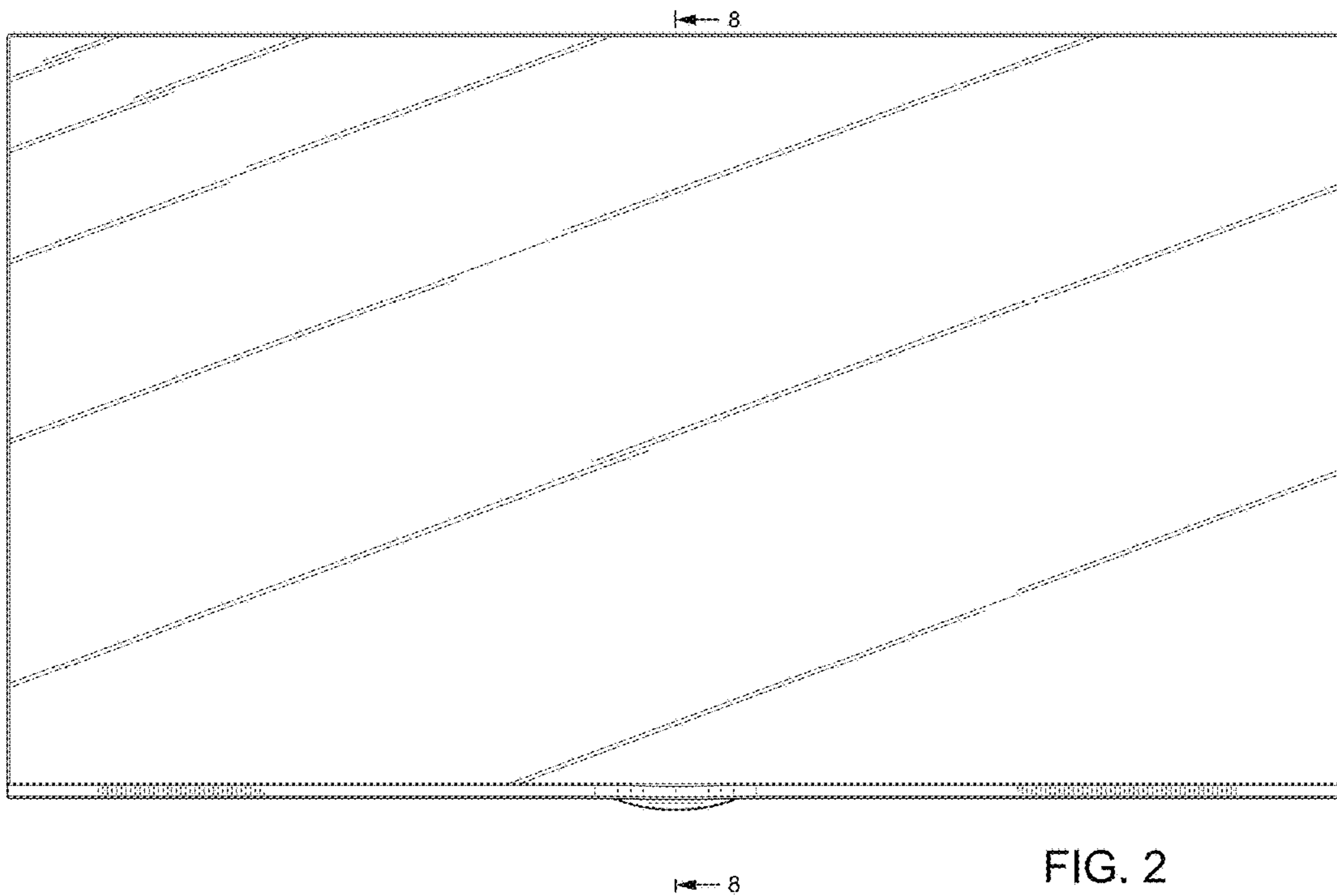


FIG. 1



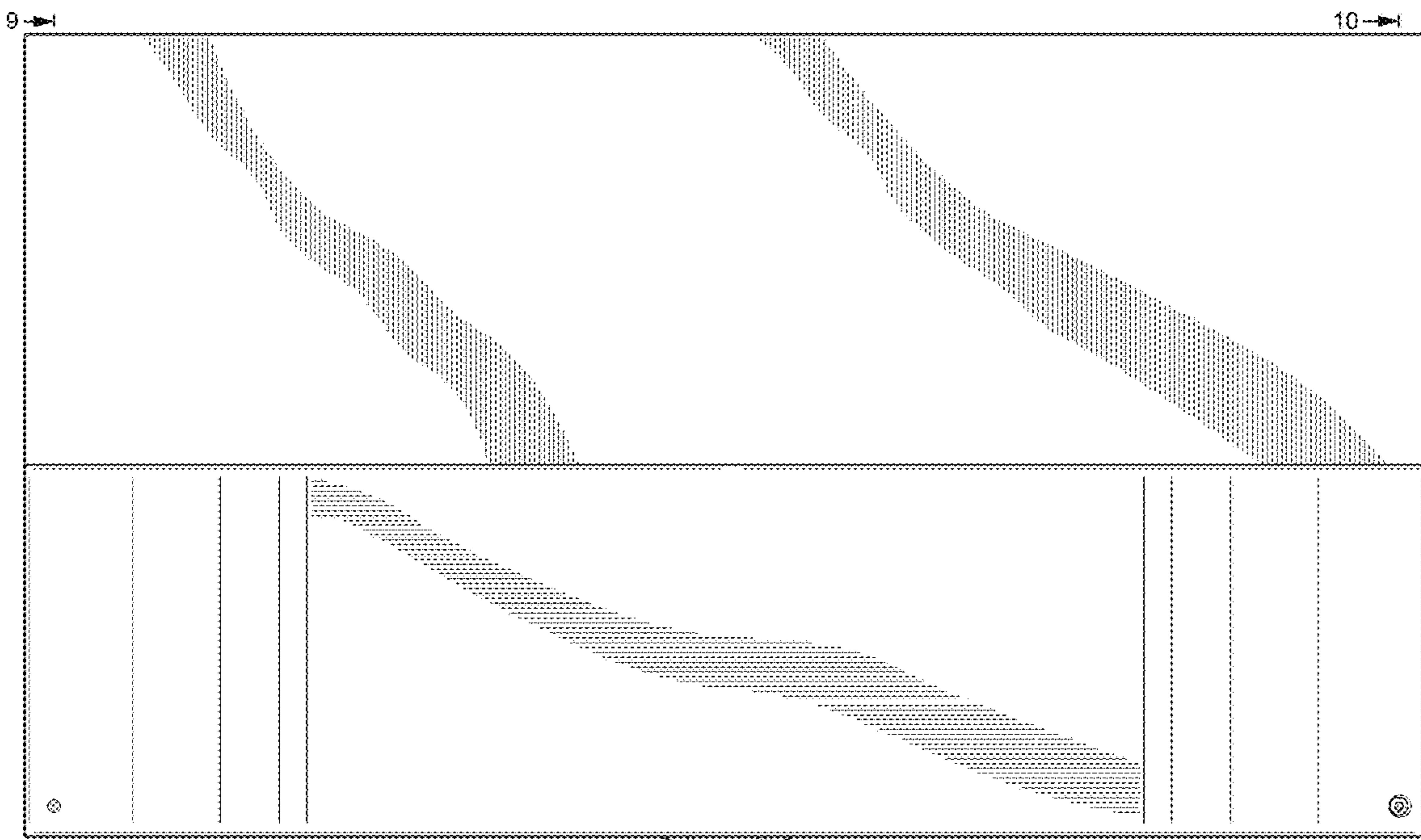


FIG. 3

9 →

10 →

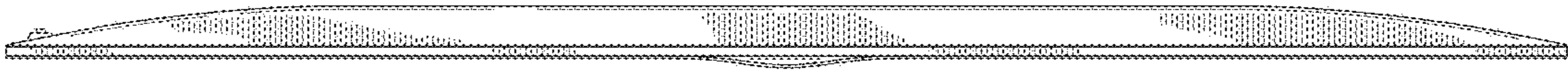


FIG. 4

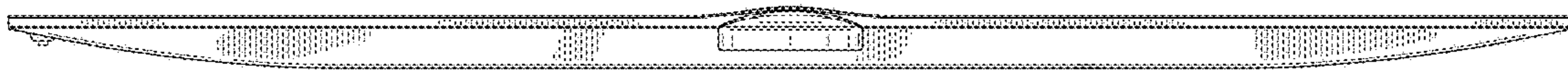


FIG. 5

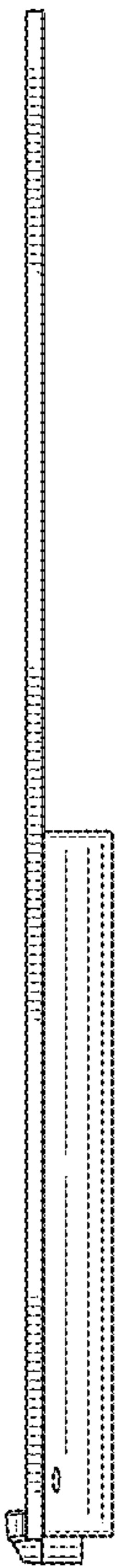


FIG. 6

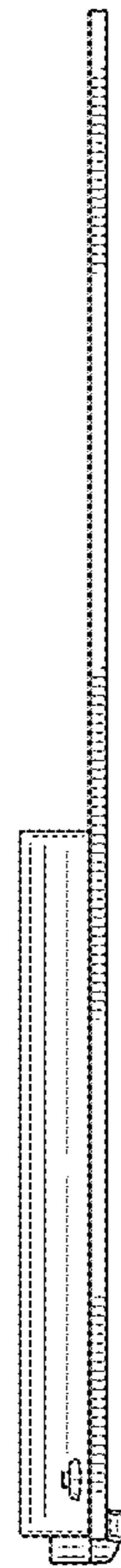


FIG. 7

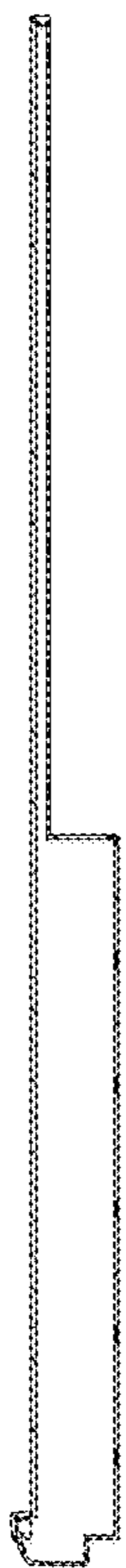


FIG. 8

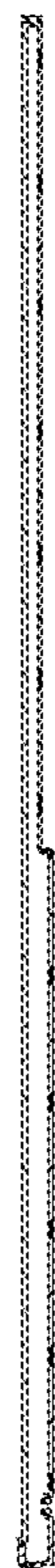


FIG. 9

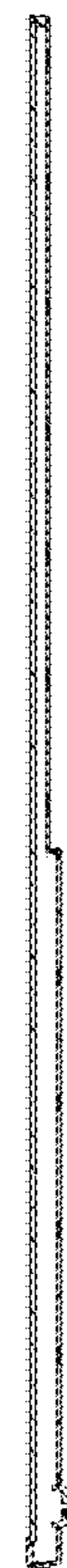


FIG. 10