



US00D818974S

(12) **United States Design Patent** (10) **Patent No.:** **US D818,974 S**
Kao et al. (45) **Date of Patent:** **** May 29, 2018**

- (54) **PORTIONS OF LIGHT-EMITTING DIODE UNIT**
- (71) Applicant: **EPISTAR CORPORATION**, Hsinchu (TW)
- (72) Inventors: **Hui-Fang Kao**, Hsinchu (TW);
Tzu-Chieh Hsu, Hsinchu (TW);
Yao-Ning Chan, Hsinchu (TW);
Yi-Ming Chen, Hsinchu (TW)
- (73) Assignee: **EPISTAR CORPORATION**, Hsinchu (TW)
- (**) Term: **15 Years**
- (21) Appl. No.: **29/570,832**
- (22) Filed: **Jul. 12, 2016**

Related U.S. Application Data

- (62) Division of application No. 29/516,238, filed on Jan. 30, 2015, now Pat. No. Des. 764,421.

Foreign Application Priority Data

- Aug. 20, 2014 (TW) 103304934
- (51) **LOC (11) Cl.** **13-03**
- (52) **U.S. Cl.**
USPC **D13/180**
- (58) **Field of Classification Search**
USPC D13/180; D26/1
CPC ... H01L 25/167; H01L 25/0753; H01L 27/15;
H01L 27/156; H01L 31/02; H01L 33/00;
H01L 33/04; H01L 33/08; H01L 33/10;
H01L 33/20; H01L 33/38; H01L 33/42;
H01L 33/4862; H01L 33/483; H01L
33/486

See application file for complete search history.

(56) **References Cited**

U.S. PATENT DOCUMENTS

- 6,573,537 B1 6/2003 Steigerwald et al.
7,217,947 B2 5/2007 Clarke et al.

(Continued)

Primary Examiner — Selina Sikder

(74) *Attorney, Agent, or Firm* — Ditthavong & Steiner, P.C.

(57) **CLAIM**

We claim the ornamental design for portions of light-emitting diode unit, as shown and described.

DESCRIPTION

FIG. 1 is a front perspective view of portions of light-emitting diode unit showing our new design in accordance with an embodiment;

FIG. 2 is another front perspective view of the portions of light-emitting diode unit in accordance with the embodiment;

FIG. 3 is a top plan view of the portions of light-emitting diode unit in accordance with the embodiment;

FIG. 4 is a bottom plan view of the portions of light-emitting diode unit in accordance with the embodiment;

FIG. 5 is a left side view of the portions of light-emitting diode unit in accordance with the embodiment;

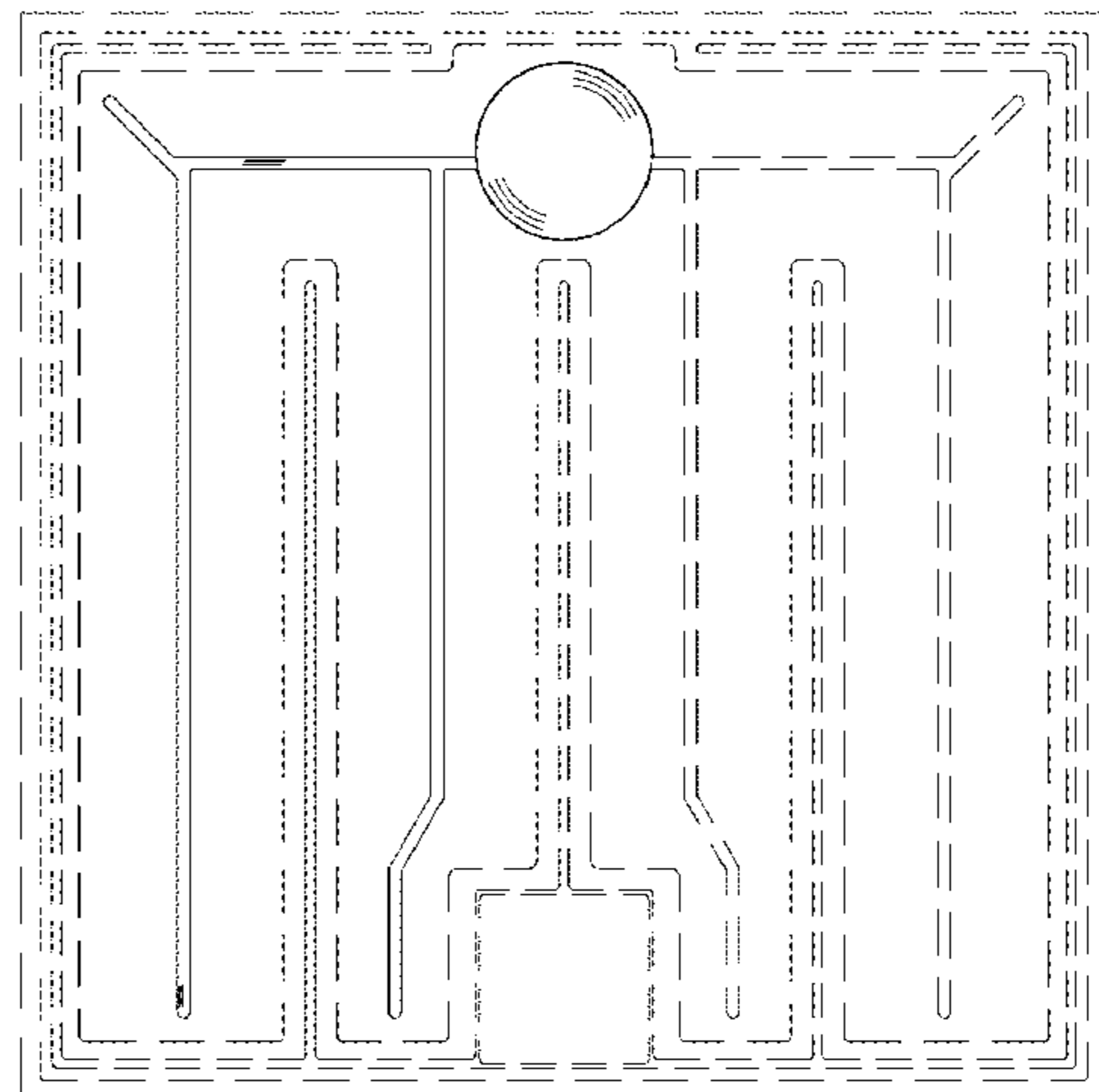
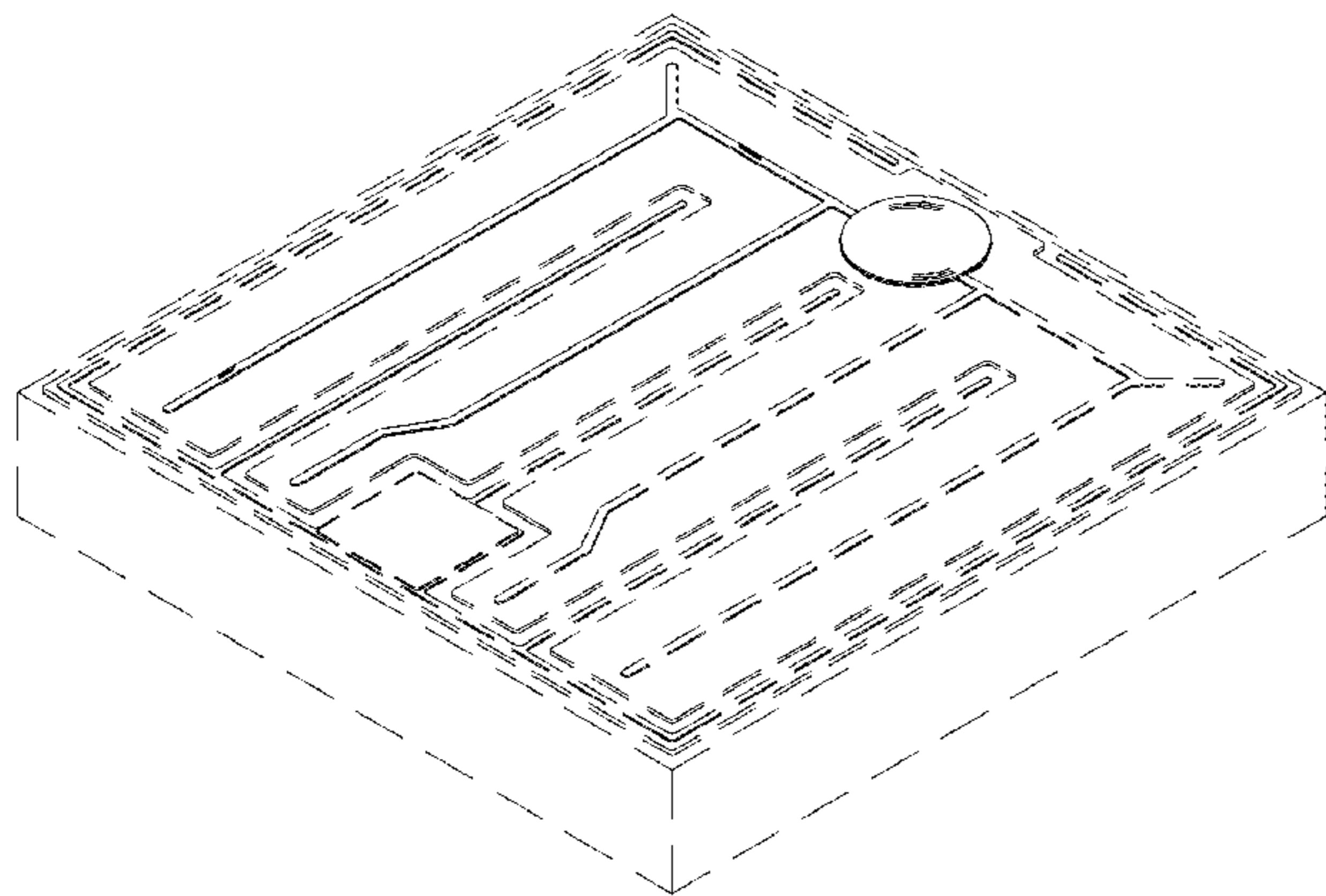
FIG. 6 is a right side view of the portions of light-emitting diode unit in accordance with the embodiment;

FIG. 7 is a rear elevational view of the portions of light-emitting diode unit in accordance with the embodiment; and,

FIG. 8 is a front elevational view of the portions of light-emitting diode unit in accordance with the embodiment.

The broken line showing is for the purpose of illustrating environmental structure only and forms no part of the claimed design.

1 Claim, 6 Drawing Sheets



(56)

References Cited

U.S. PATENT DOCUMENTS

7,795,610 B2	9/2010	Kim et al.	
D644,188 S *	8/2011	Shen	D13/180
D648,287 S	11/2011	Hsu et al.	
D656,908 S	4/2012	Hsu et al.	
8,188,493 B2 *	5/2012	Li	H01L 33/38 257/91
8,188,505 B2	5/2012	Shen et al.	
D676,001 S *	2/2013	Hsu	D13/180
D684,549 S *	6/2013	Chu	D13/180
D684,940 S *	6/2013	Chu	D13/180
D687,396 S *	8/2013	Chen	D13/180
8,581,279 B2	11/2013	Baur et al.	
8,680,559 B2 *	3/2014	Kim	H01L 33/38 257/98
D707,641 S	6/2014	Lu et al.	
D709,840 S	7/2014	Tsai et al.	
D711,841 S	8/2014	Britt et al.	
D716,238 S	10/2014	Yeh et al.	
8,884,328 B2	11/2014	Lim et al.	
D722,578 S *	2/2015	Muramoto	D13/180
D725,051 S	3/2015	Kao et al.	
D730,303 S	5/2015	Chou et al.	
9,070,834 B2 *	6/2015	Kim	H01L 33/38
D737,228 S *	8/2015	Chen	D13/180
D743,919 S	11/2015	Tsai et al.	
9,257,481 B2	2/2016	Yang et al.	
9,281,449 B2 *	3/2016	Kim	H01L 33/06
9,397,259 B2 *	7/2016	Kim	H01L 25/0753
D764,421 S *	8/2016	Kao	D13/180
9,577,152 B2 *	2/2017	Sato	H01L 33/387
2003/0107053 A1	6/2003	Uemura et al.	
2008/0185606 A1 *	8/2008	Sano	H01L 33/42 257/98
2009/0159909 A1	6/2009	Lee et al.	
2009/0322241 A1 *	12/2009	Onushkin	H01L 27/156 315/250
2011/0278631 A1	11/2011	Shen et al.	
2011/0284883 A1 *	11/2011	Suda	H01L 27/153 257/88
2012/0241808 A1	9/2012	Akiyama et al.	
2013/0032848 A1	2/2013	Chen et al.	
2013/0228802 A1	9/2013	Wang et al.	
2014/0034981 A1	2/2014	Hung et al.	

* cited by examiner

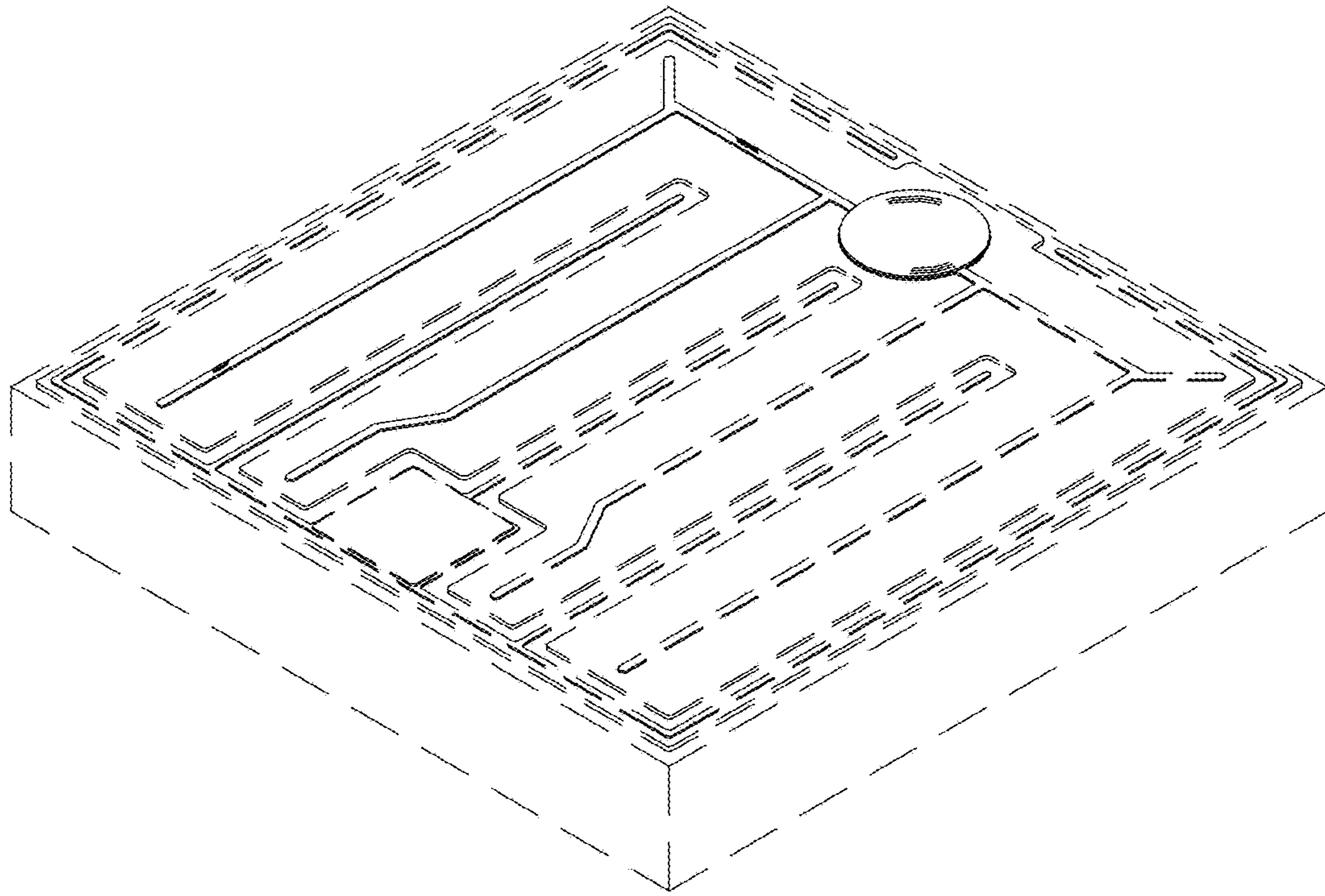


FIG. 1

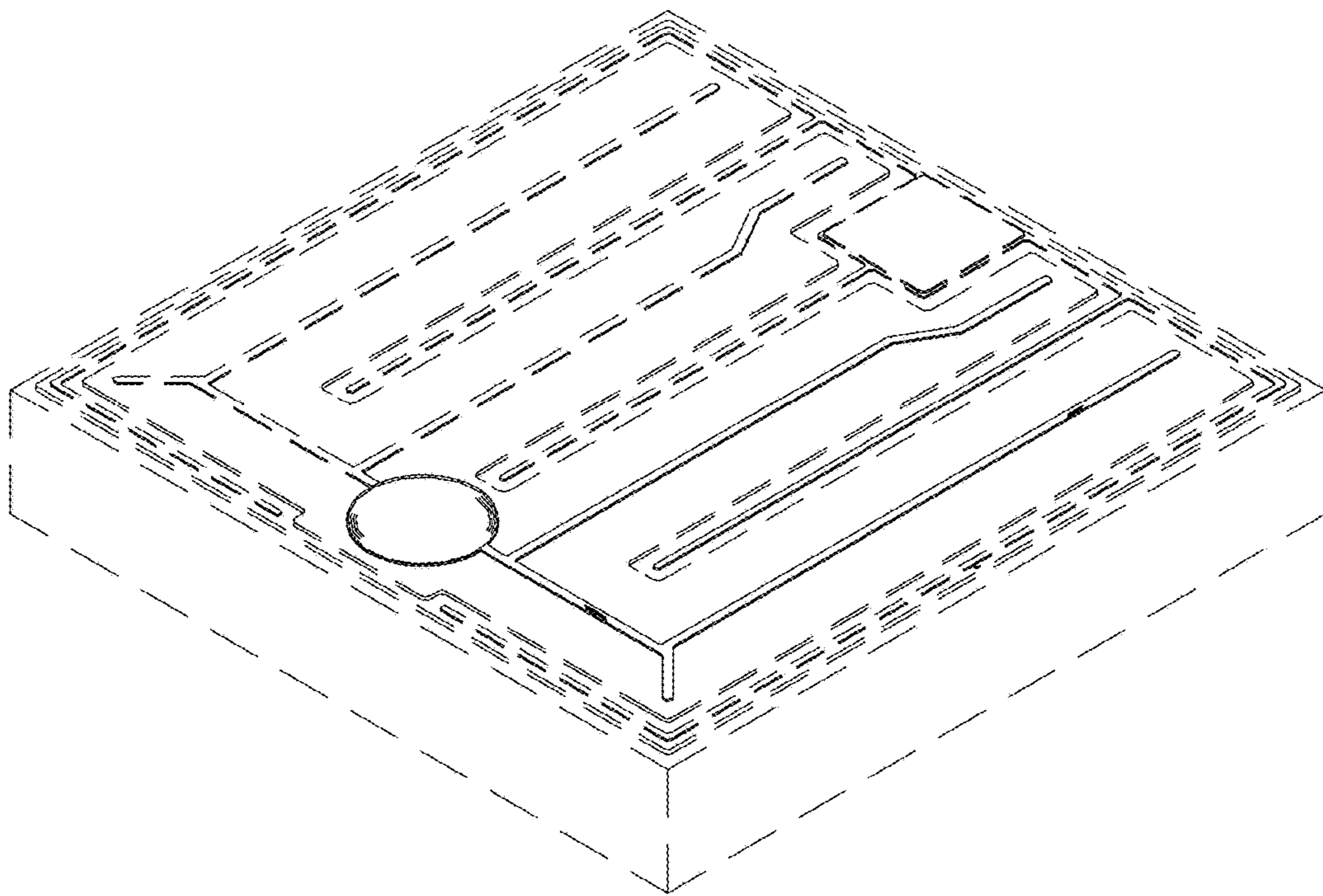


FIG. 2

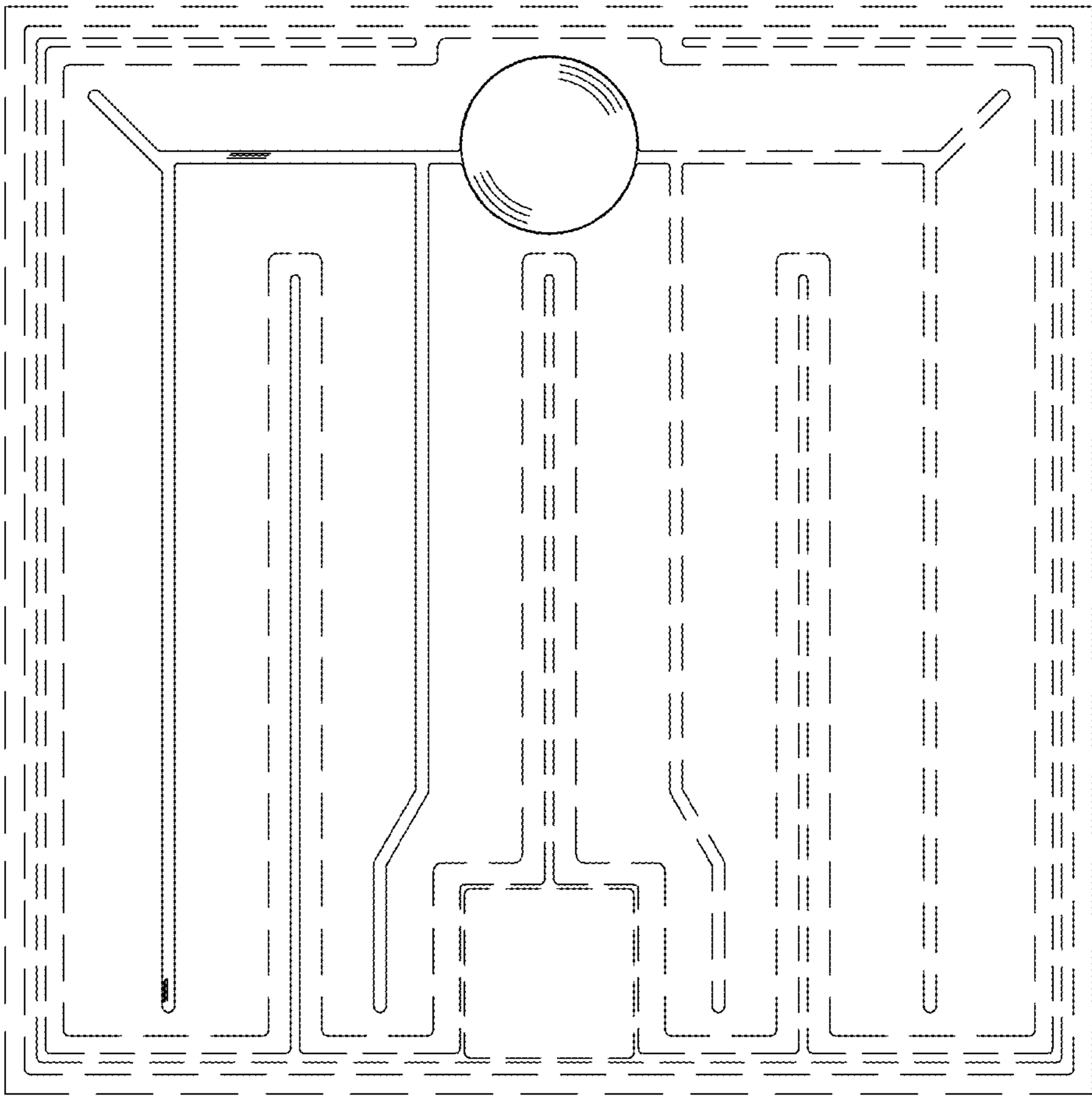


FIG. 3

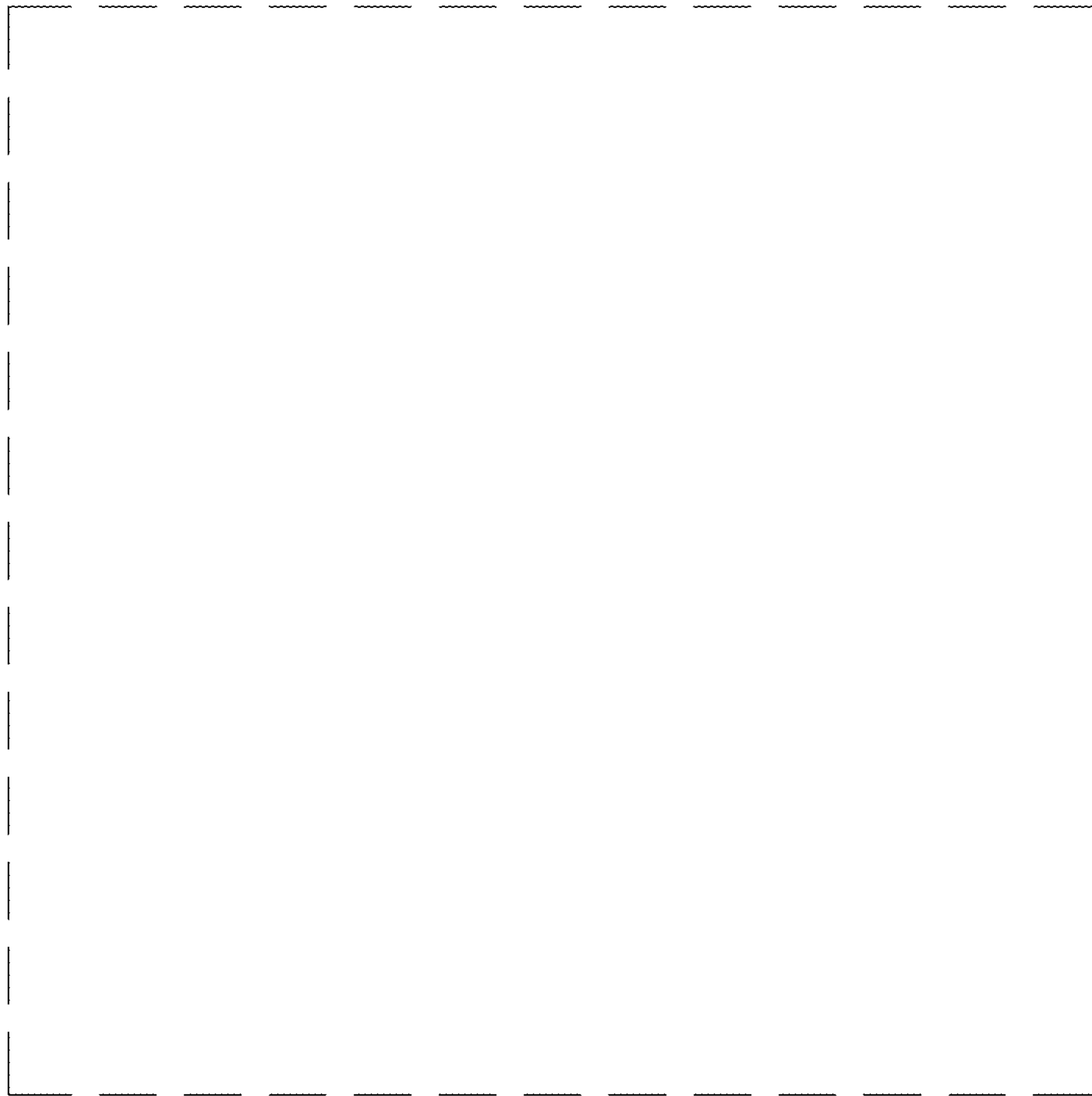


FIG. 4

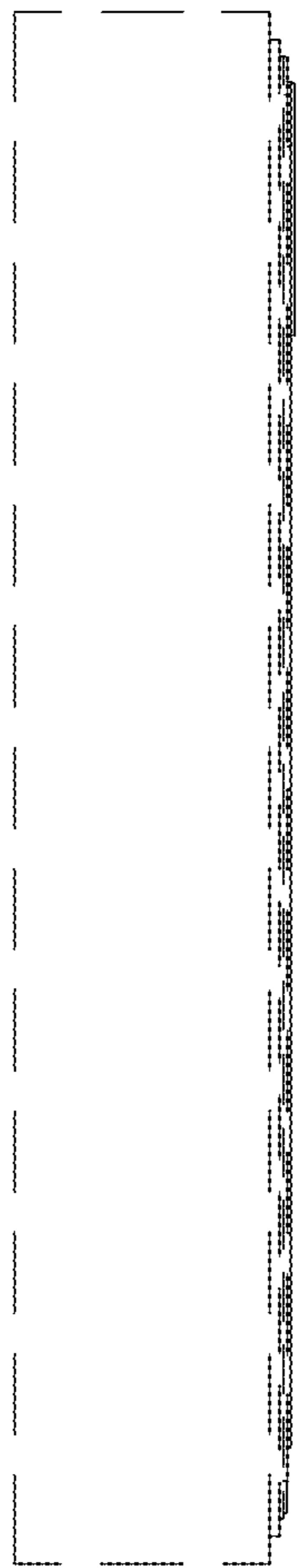


FIG. 5



FIG. 6

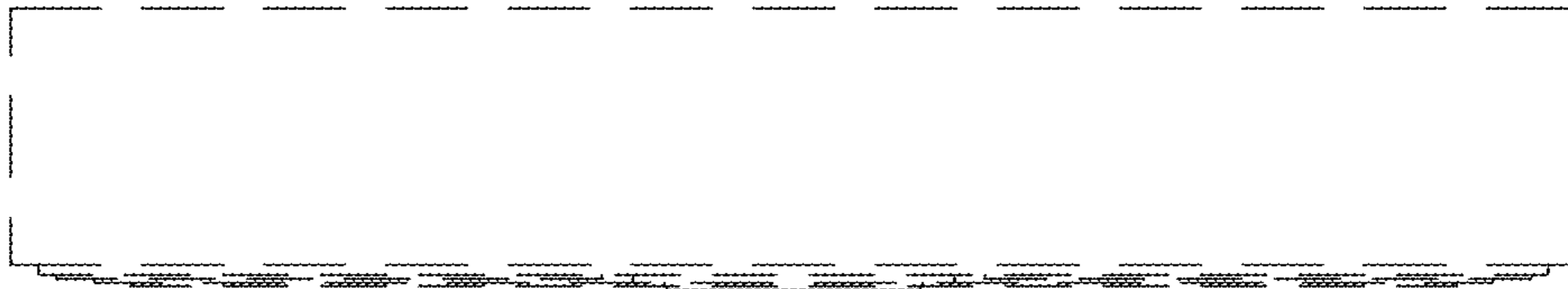


FIG. 7



FIG. 8