



US00D818973S

(12) **United States Design Patent**
Tang et al.

(10) **Patent No.:** **US D818,973 S**

(45) **Date of Patent:** **** May 29, 2018**

(54) **SWITCH CONTROLLER**

(71) Applicant: **eMoMo Technology Co., Ltd.**,
Shenzhen (CN)

(72) Inventors: **Wenji Tang**, Shenzhen (CN); **Zhigang Wang**, Shenzhen (CN); **Ming Kong**, Shenzhen (CN); **Keyun Zhang**, Shenzhen (CN); **Xiaolian Zhou**, Shenzhen (CN)

(73) Assignee: **eMoMo Technology Co., Ltd.**,
Shenzhen (CN)

(**) Term: **15 Years**

(21) Appl. No.: **29/604,192**

(22) Filed: **May 16, 2017**

(51) **LOC (11) Cl.** **13-03**

(52) **U.S. Cl.**
USPC **D13/171**

(58) **Field of Classification Search**
USPC D13/162, 171, 173, 174
CPC H01H 3/02; H01H 3/022; H01H 3/12;
H01H 3/122; H01H 9/02; H01H 9/0235;
H01H 13/023; H01H 13/04; H01H 13/06;
H01H 13/063; H01H 13/10; H01H 13/12;
H01H 13/14; H01H 13/36; H01H 13/70;
H01H 13/86; H01H 21/24; H01H 25/065;
A47C 1/0242; A47C 1/0345; A47C
1/035; A47C 7/506

See application file for complete search history.

(56) **References Cited**

U.S. PATENT DOCUMENTS

8,766,115	B2 *	7/2014	Kristen	H01H 25/065 200/5 A
D720,305	S *	12/2014	Wenji	D13/174
D733,078	S *	6/2015	Wu	D13/171
D739,361	S *	9/2015	Wenji	D13/171
D758,975	S *	6/2016	Hunter	D13/162
D782,987	S *	4/2017	Gassner	D13/171
9,804,632	B2 *	10/2017	Gassner	G05G 1/02 297/68
2011/0198894	A1 *	8/2011	Hsieh	A47C 1/0242 200/5 A
2014/0353134	A1 *	12/2014	Muller	H01H 3/20 200/5 A

* cited by examiner

Primary Examiner — Selina Sikder

(74) *Attorney, Agent, or Firm* — Bass, Berry & Sims
PLC

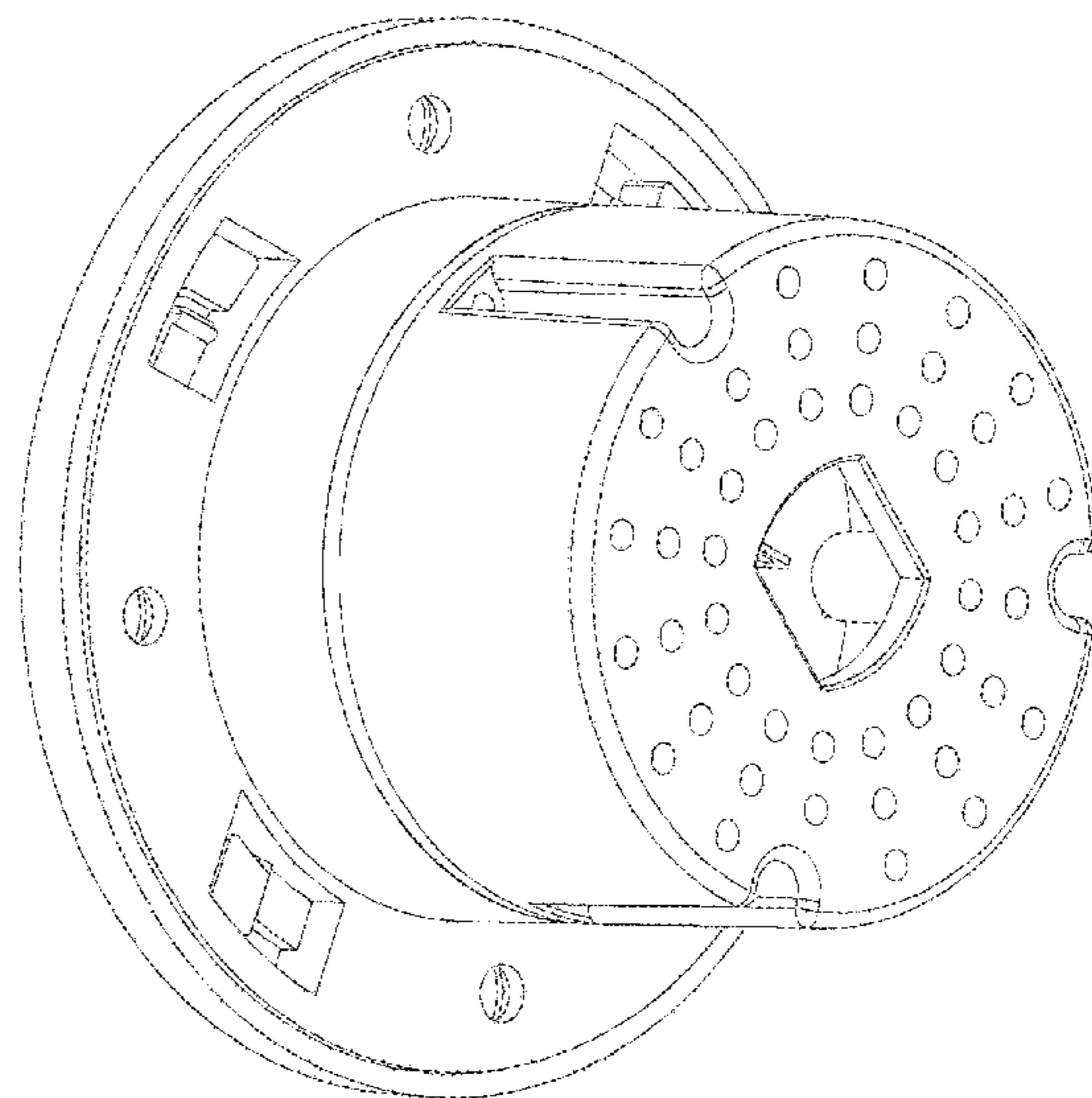
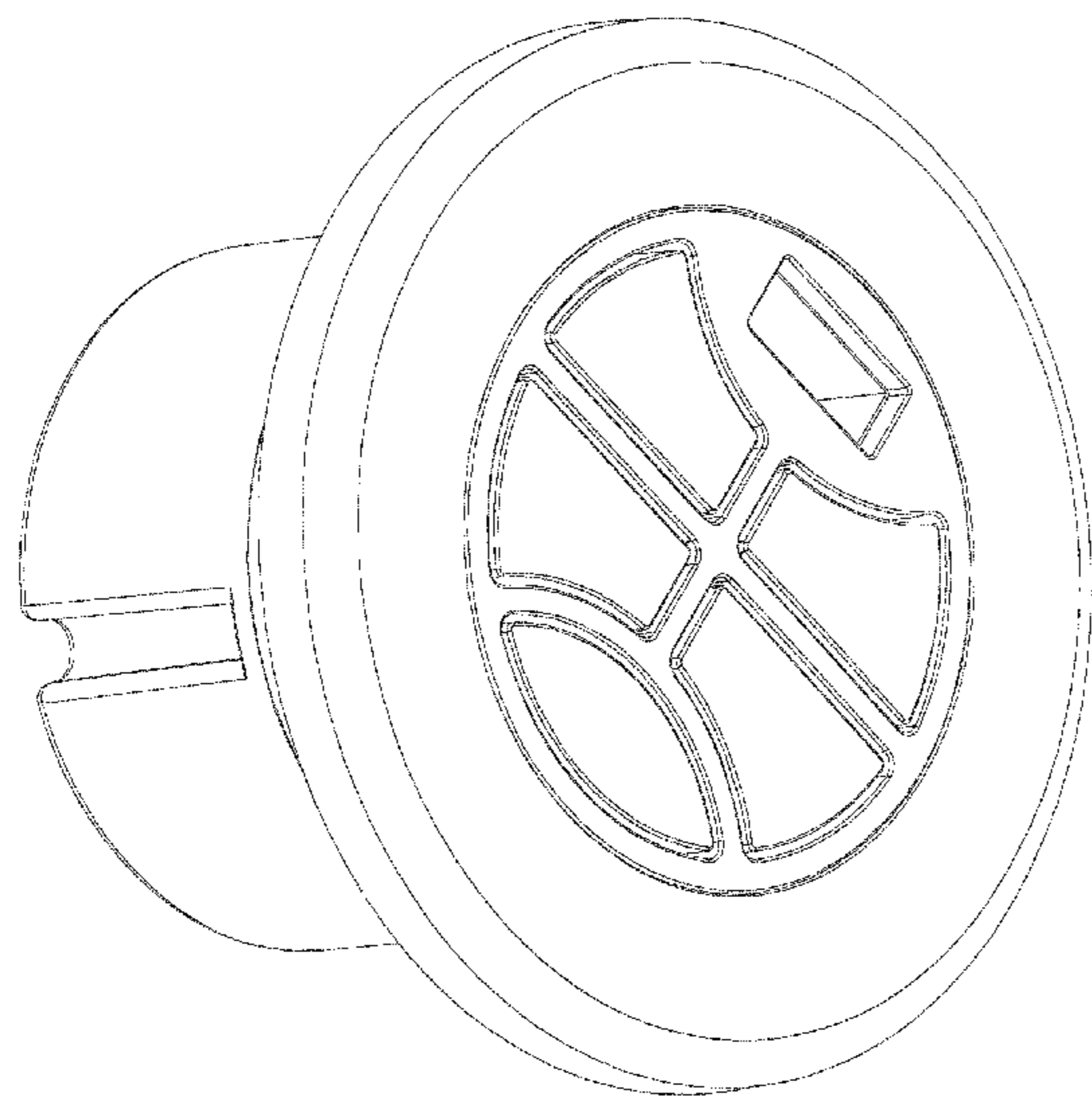
(57) **CLAIM**

The ornamental design for a switch controller, as shown and described.

DESCRIPTION

FIG. 1 is a front perspective view of a switch controller showing our new design;
FIG. 2 is a top plan view thereof;
FIG. 3 is a first side view thereof;
FIG. 4 is a second side view thereof;
FIG. 5 is a third side view thereof;
FIG. 6 is a fourth side view thereof;
FIG. 7 is a bottom plan view thereof; and,
FIG. 8 is a rear perspective view thereof.

1 Claim, 8 Drawing Sheets



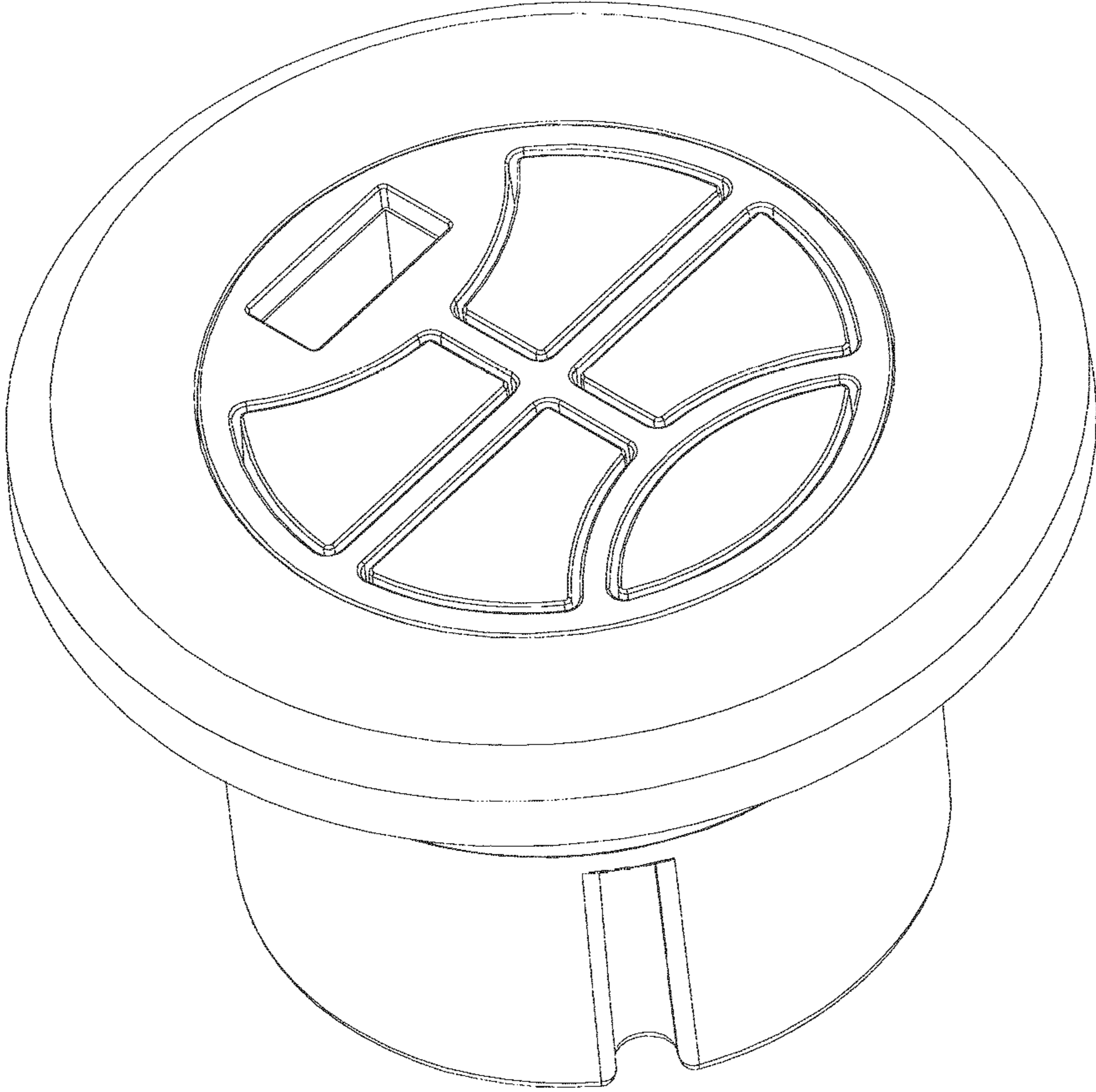


FIG. 1

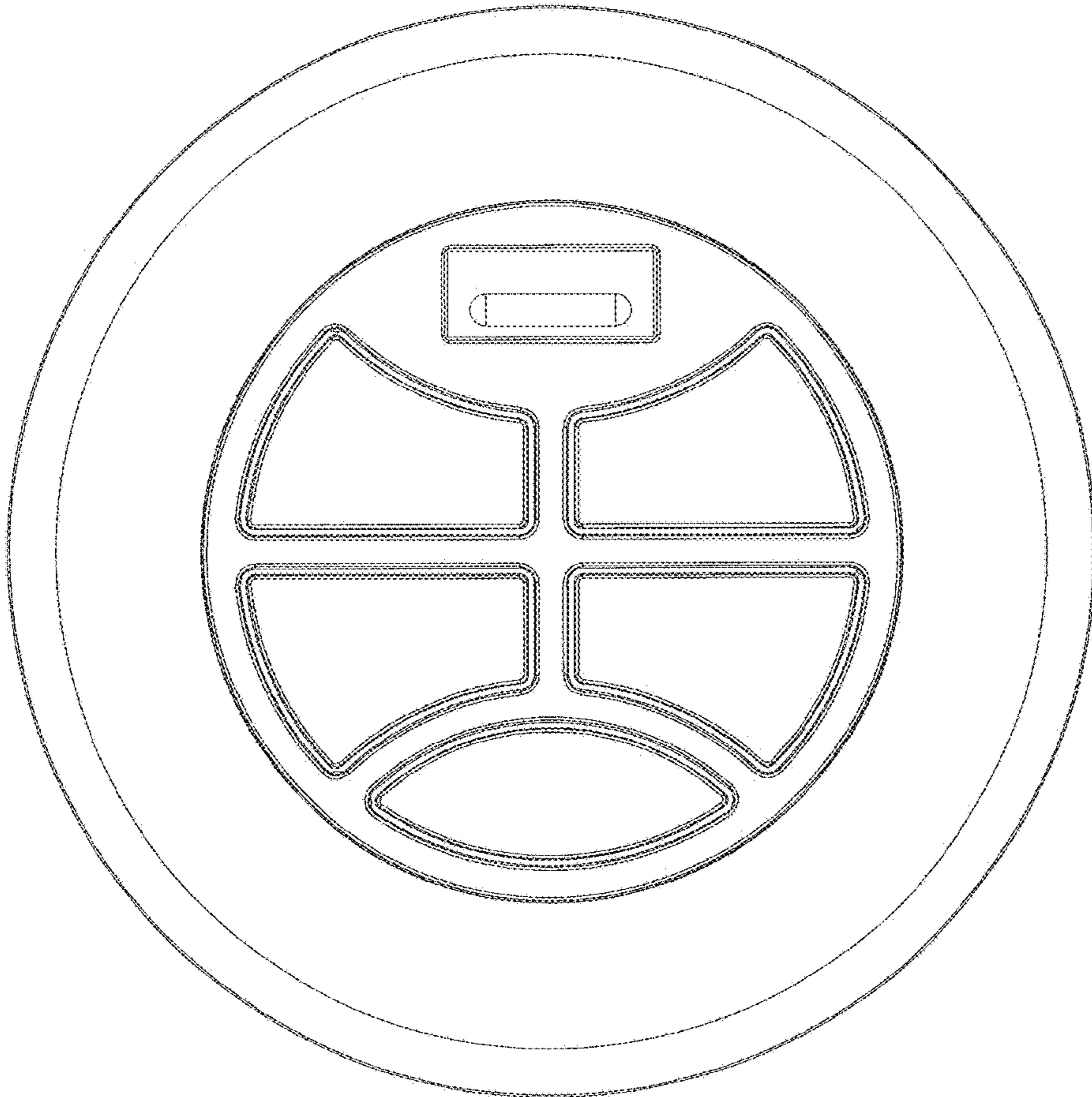


FIG. 2

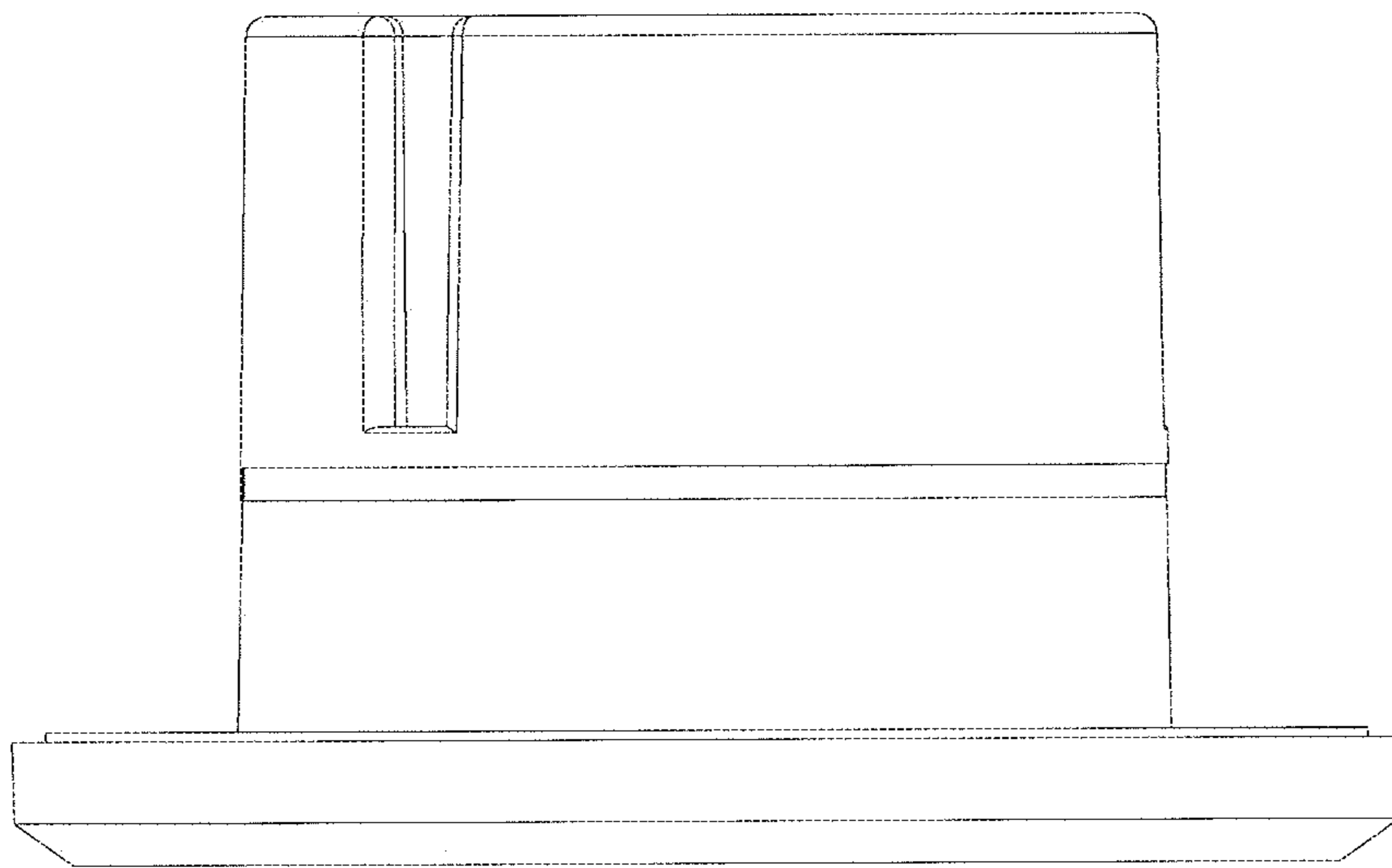


FIG. 3

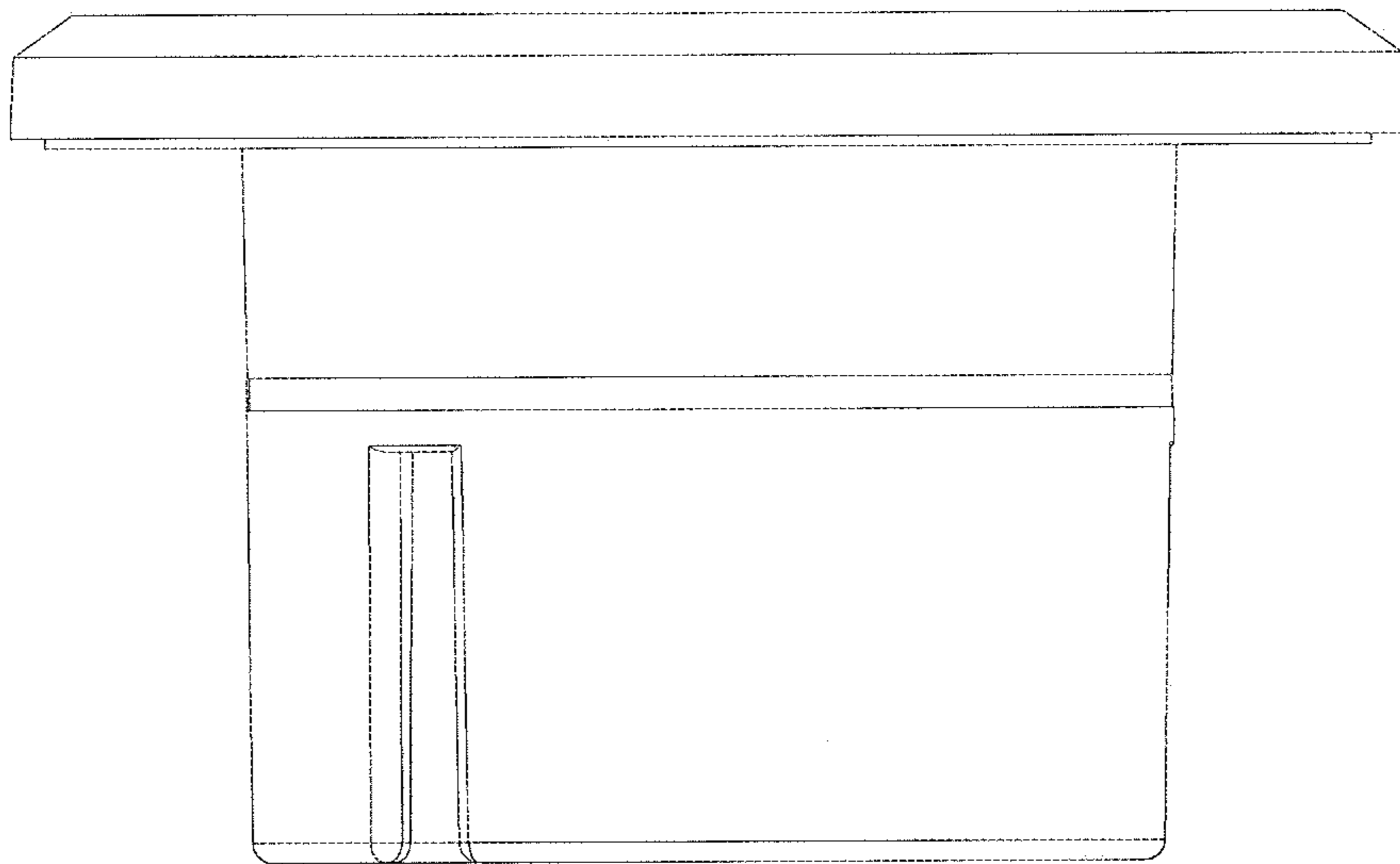


FIG. 4

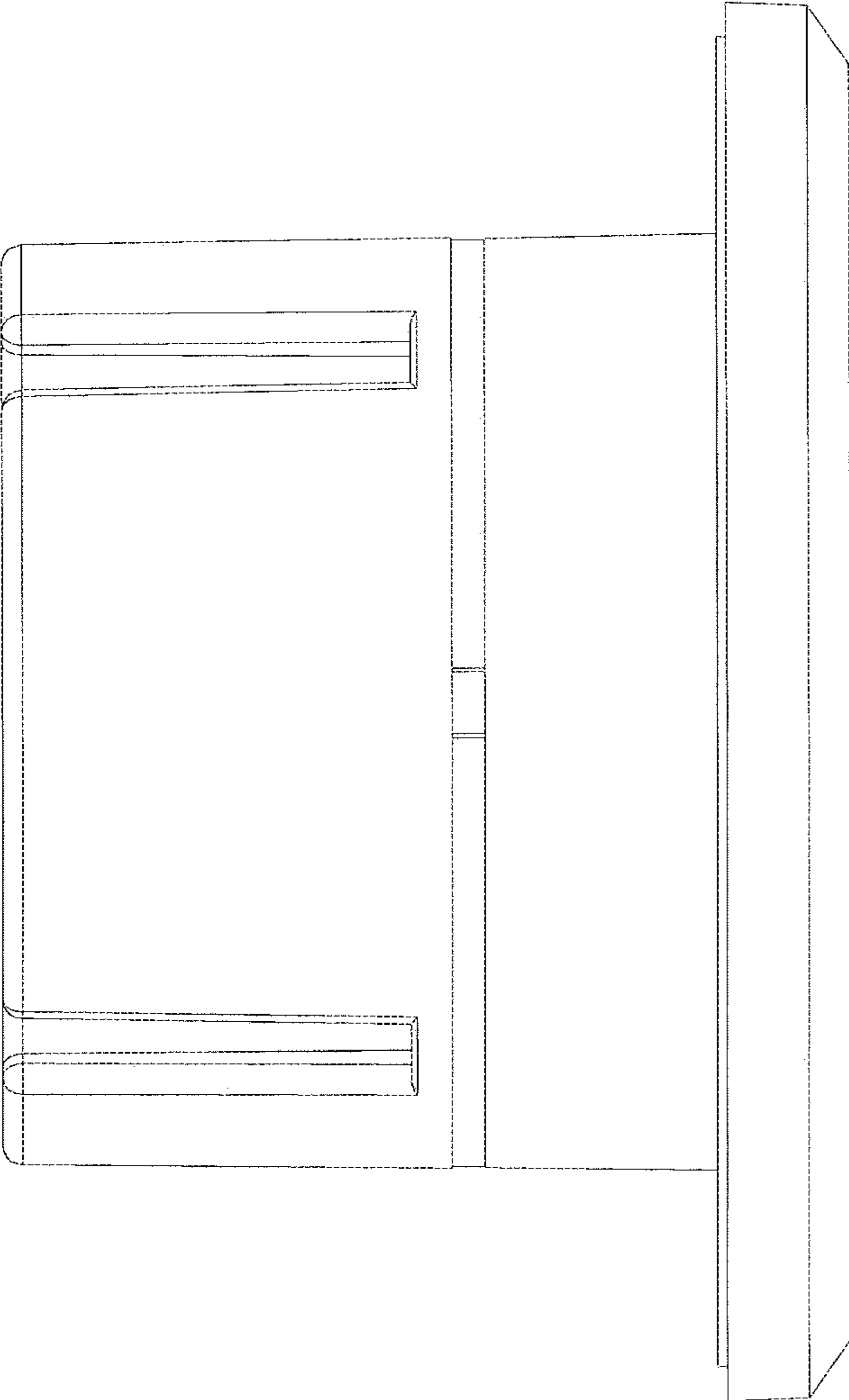


FIG. 5

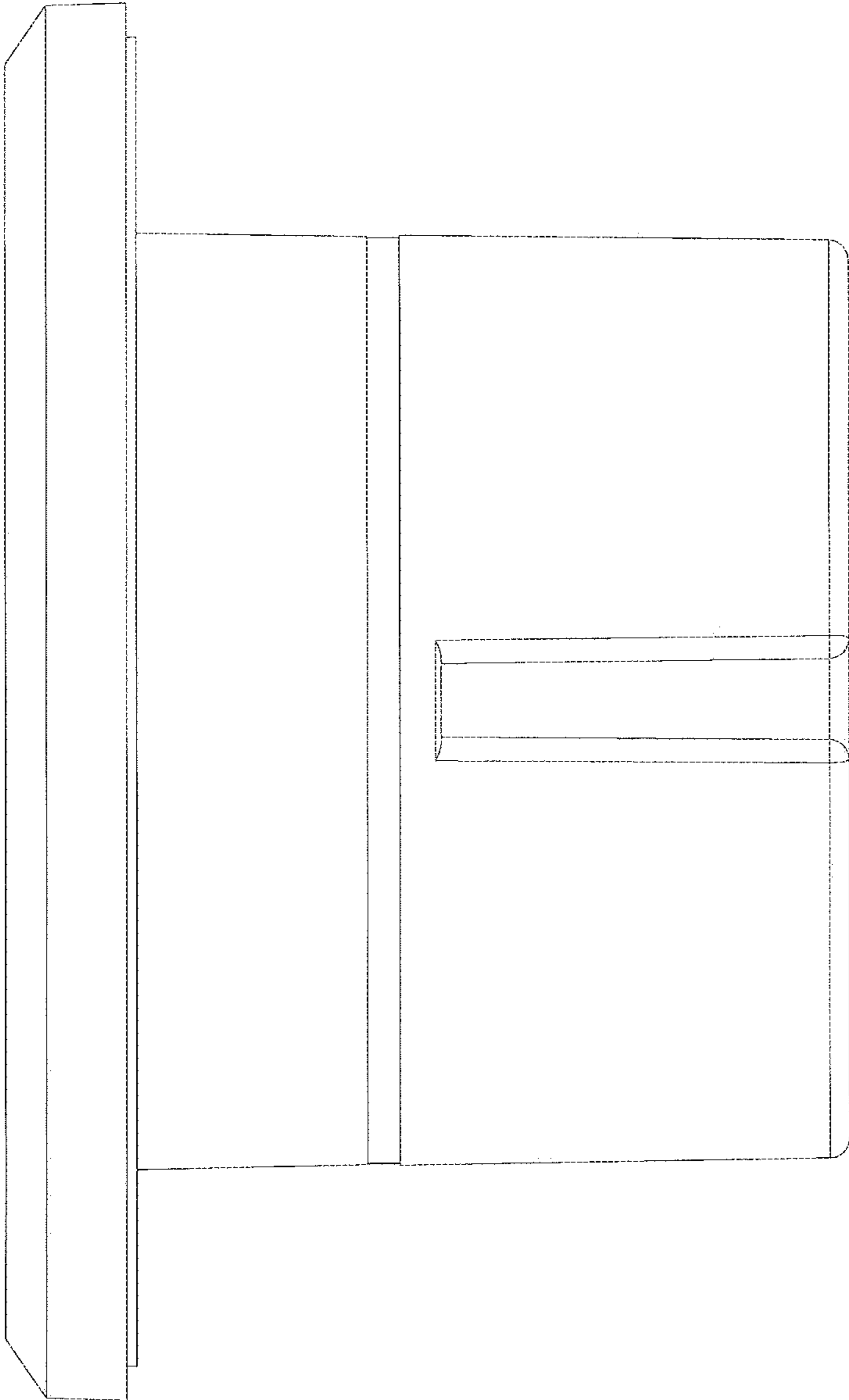


FIG. 6

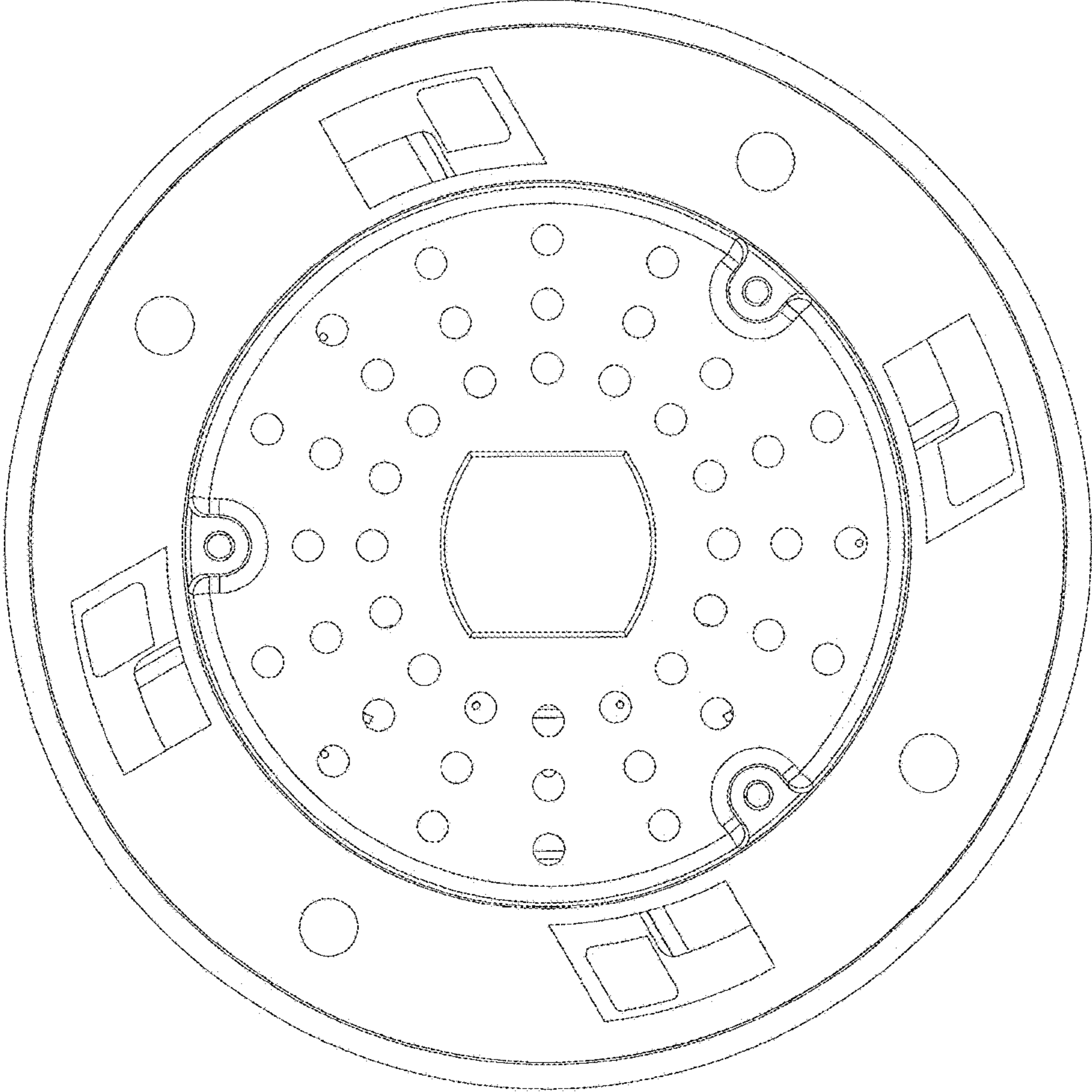


FIG. 7

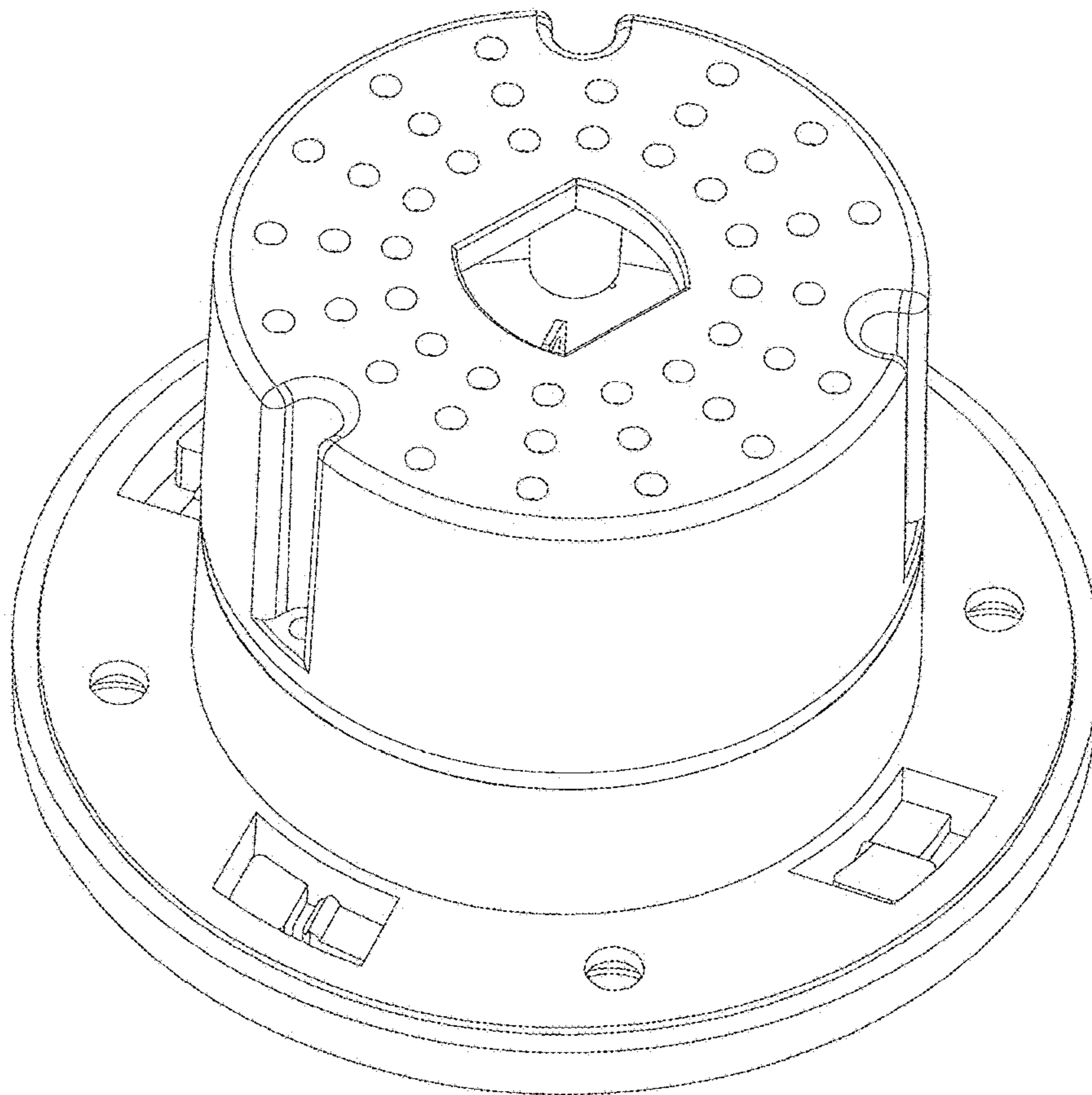


FIG. 8