



US00D818972S

(12) **United States Design Patent**
Tang et al.

(10) **Patent No.:** **US D818,972 S**

(45) **Date of Patent:** **** May 29, 2018**

(54) **DOUBLE PUSH RESET CONTROLLER**

(56) **References Cited**

(71) Applicant: **eMoMo Technology Co., Ltd.**,
Shenzhen (CN)
(72) Inventors: **Wenji Tang**, Shenzhen (CN); **Ming Kong**,
Shenzhen (CN); **Zhigang Wang**, Shenzhen (CN); **Xiaolian Zhou**,
Shenzhen (CN); **Wei Zhou**, Shenzhen (CN); **Yulong Zhang**,
Shenzhen (CN); **Xibo Mo**, Shenzhen (CN); **Lin Wang**,
Shenzhen (CN)
(73) Assignee: **eMoMo Technology Co., Ltd.**,
Shenzhen (CN)

U.S. PATENT DOCUMENTS

D481,687	S	*	11/2003	Moriya	D13/171
D733,652	S	*	7/2015	Wenji	D13/123
D740,238	S	*	10/2015	Dorn	D13/174
D740,763	S	*	10/2015	Wenji	D13/162
D758,975	S	*	6/2016	Hunter	D13/162
D764,420	S	*	8/2016	Naka	D13/171
D788,718	S	*	6/2017	Tang	D13/169
2012/0012385	A1	*	1/2012	Lee	B60N 2/0228 174/561
2014/0306505	A1	*	10/2014	Koch	H01H 9/0207 297/330

(**) Term: **15 Years**

* cited by examiner

Primary Examiner — Selina Sikder

(21) Appl. No.: **29/600,738**

(74) *Attorney, Agent, or Firm* — Bass, Berry & Sims
PLC

(22) Filed: **Apr. 14, 2017**

(51) **LOC (11) Cl.** **13-03**

(52) **U.S. Cl.**
USPC **D13/171**

(57) **CLAIM**

The ornamental design for a double push reset controller, as shown and described.

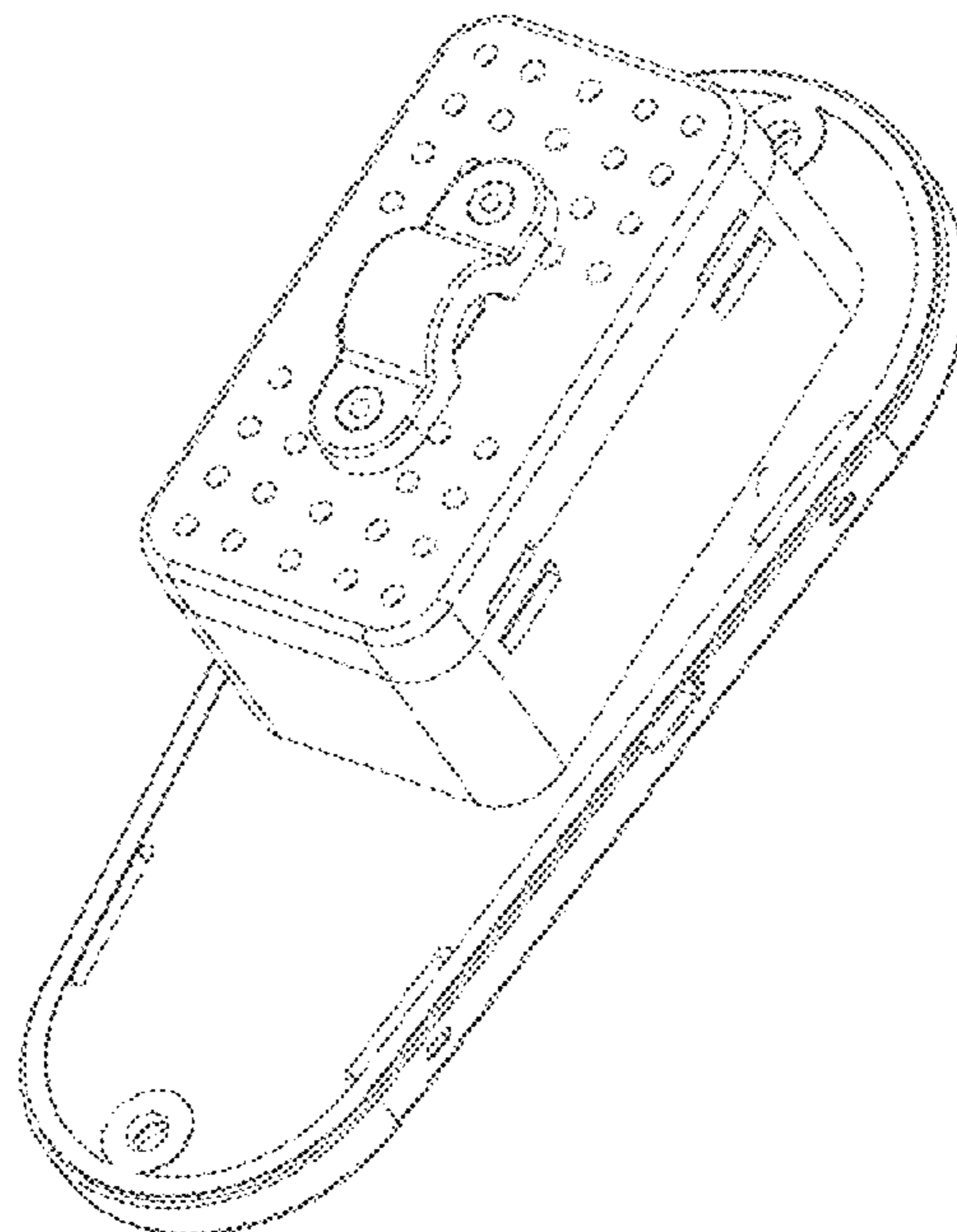
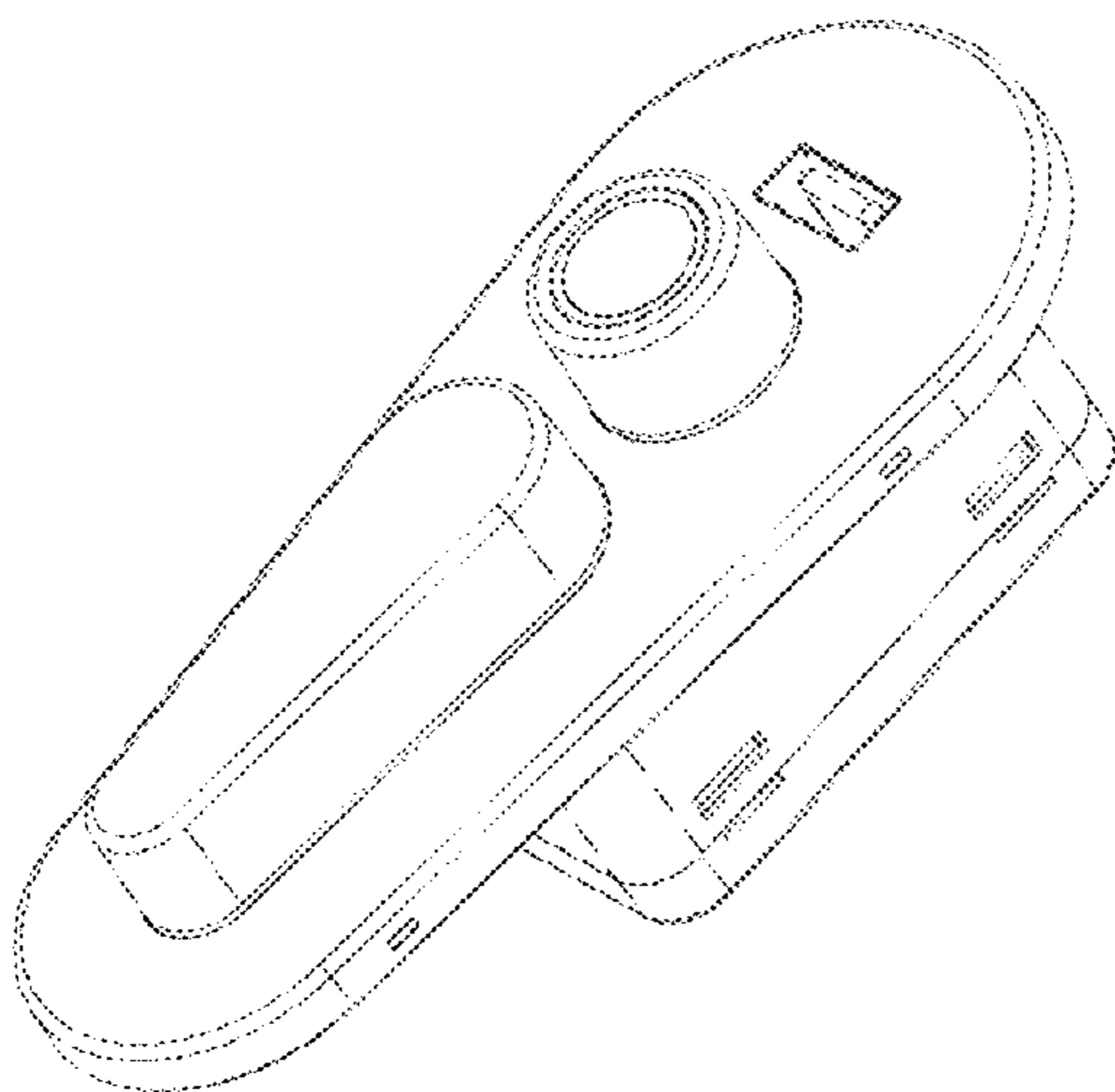
(58) **Field of Classification Search**
USPC D13/162, 169, 171, 174
CPC H01H 3/02; H01H 3/022; H01H 3/12;
H01H 3/122; H01H 9/02; H01H 9/0207;
H01H 9/0235; H01H 13/023; H01H
13/04; H01H 13/06; H01H 13/063; H01H
13/10; H01H 13/12; H01H 13/142; H01H
13/20; H01H 13/30; H01H 13/36; H01H
13/70; H01H 13/86; H01H 21/24; H01H
25/065; H01H 23/02; H01H 23/025;
H01H 23/04; H01H 23/08; H01H 23/145;
A47C 7/506; A47C 1/0345; A47C 1/035

DESCRIPTION

FIG. 1 is a top perspective view of a double push reset controller showing our new design;
FIG. 2 is a bottom perspective view thereof;
FIG. 3 is a top plan view thereof;
FIG. 4 is a bottom plan view thereof;
FIG. 5 is a first side view thereof;
FIG. 6 is a second side view thereof; and,
FIG. 7 is an end view thereof.

See application file for complete search history.

1 Claim, 7 Drawing Sheets



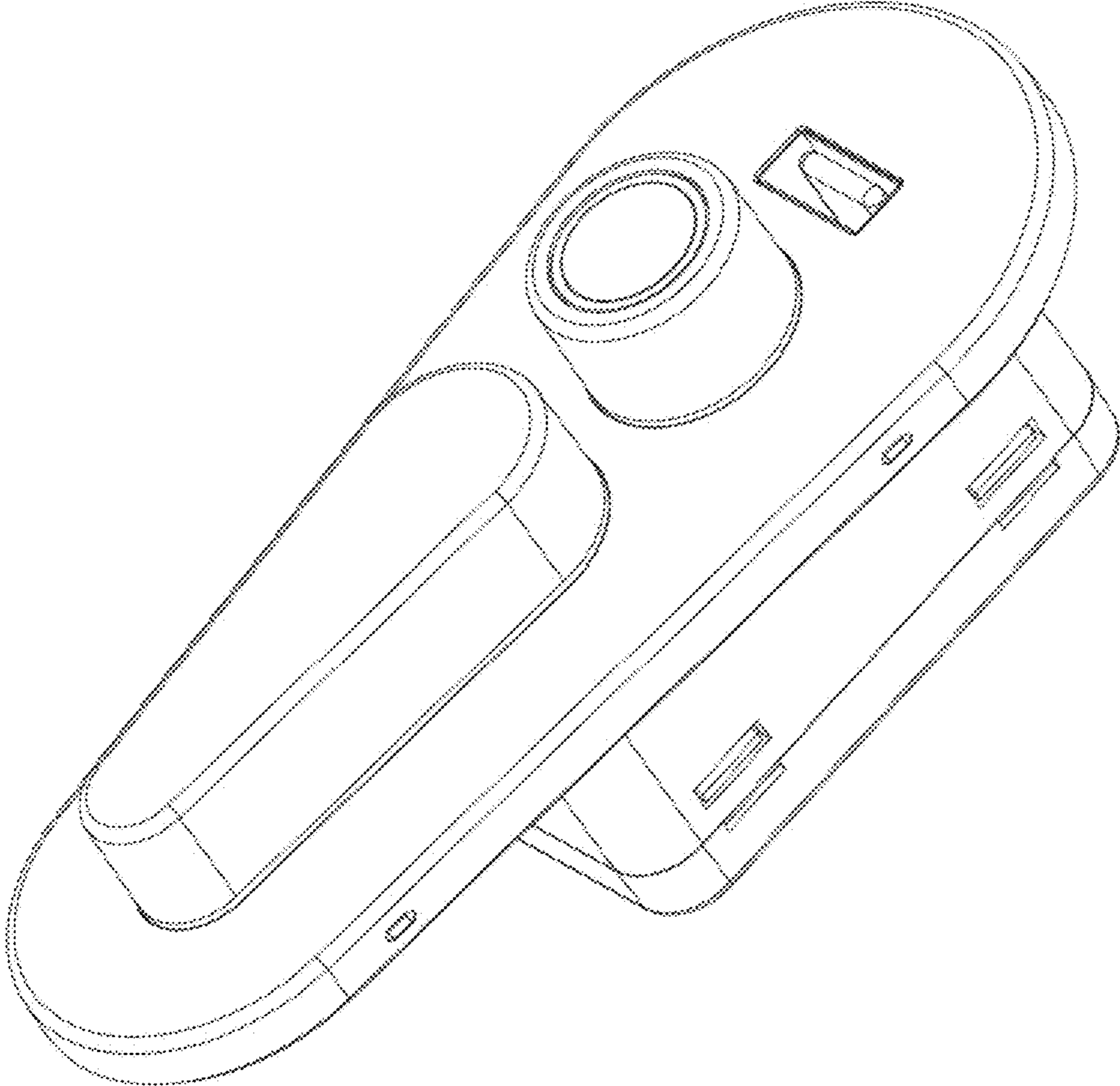


FIG. 1

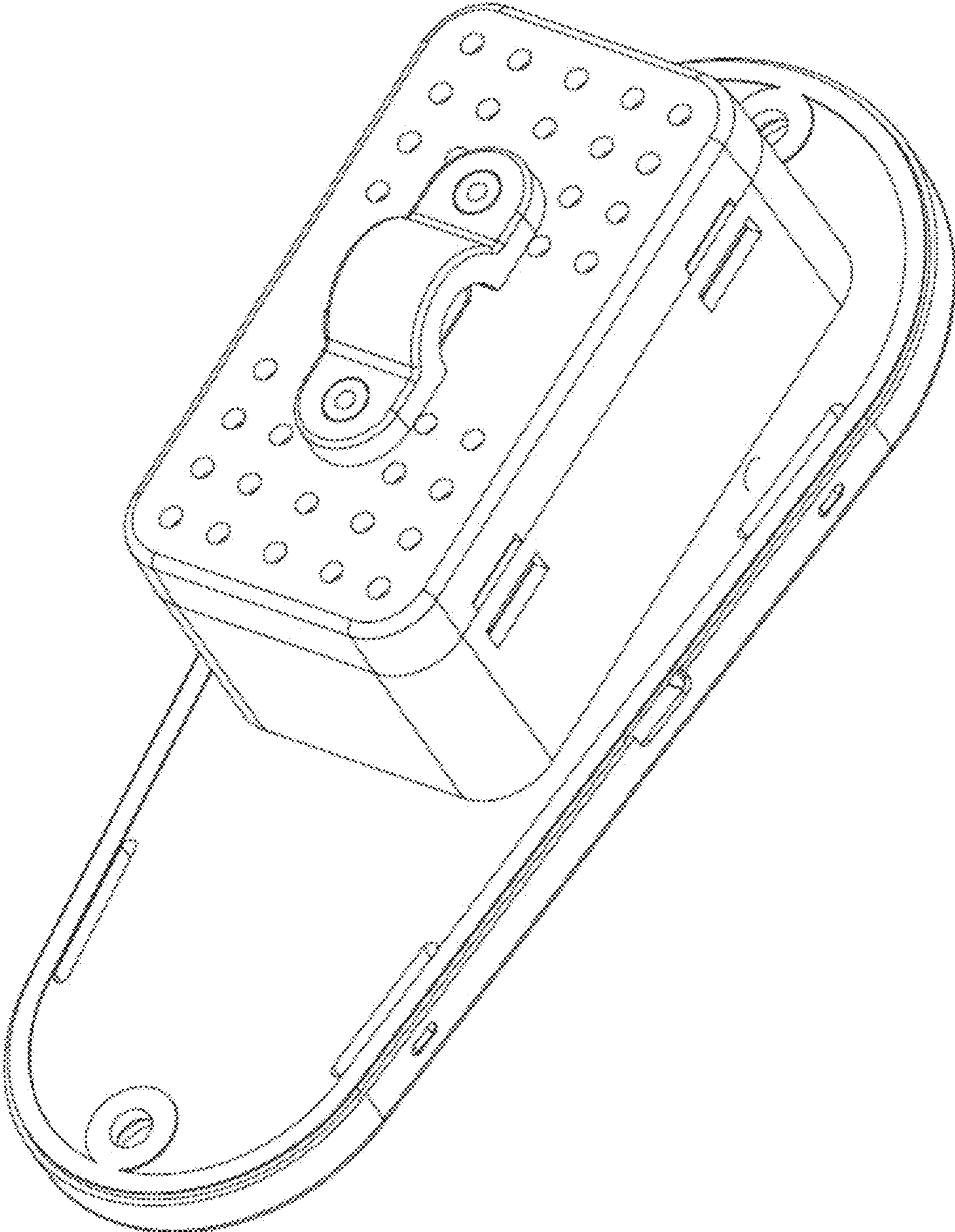


FIG. 2

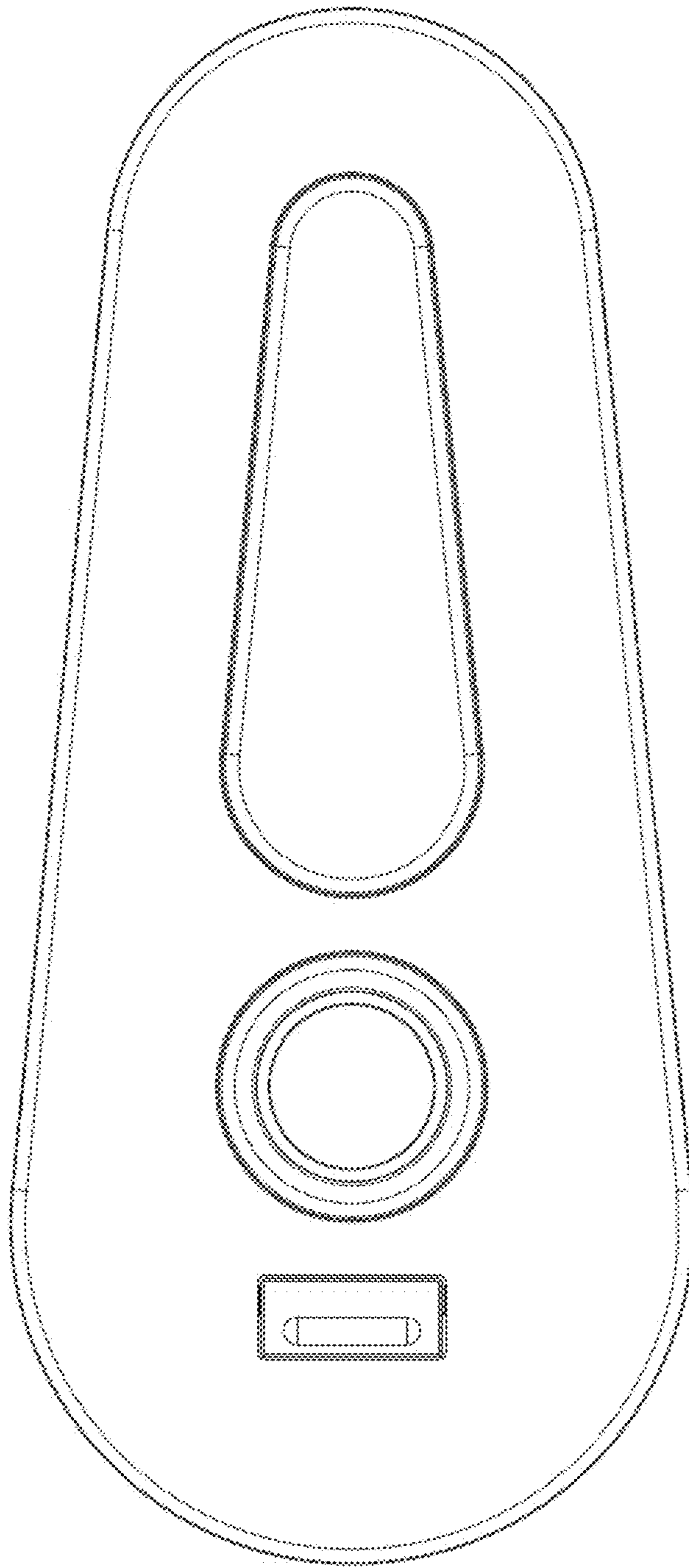


FIG. 3

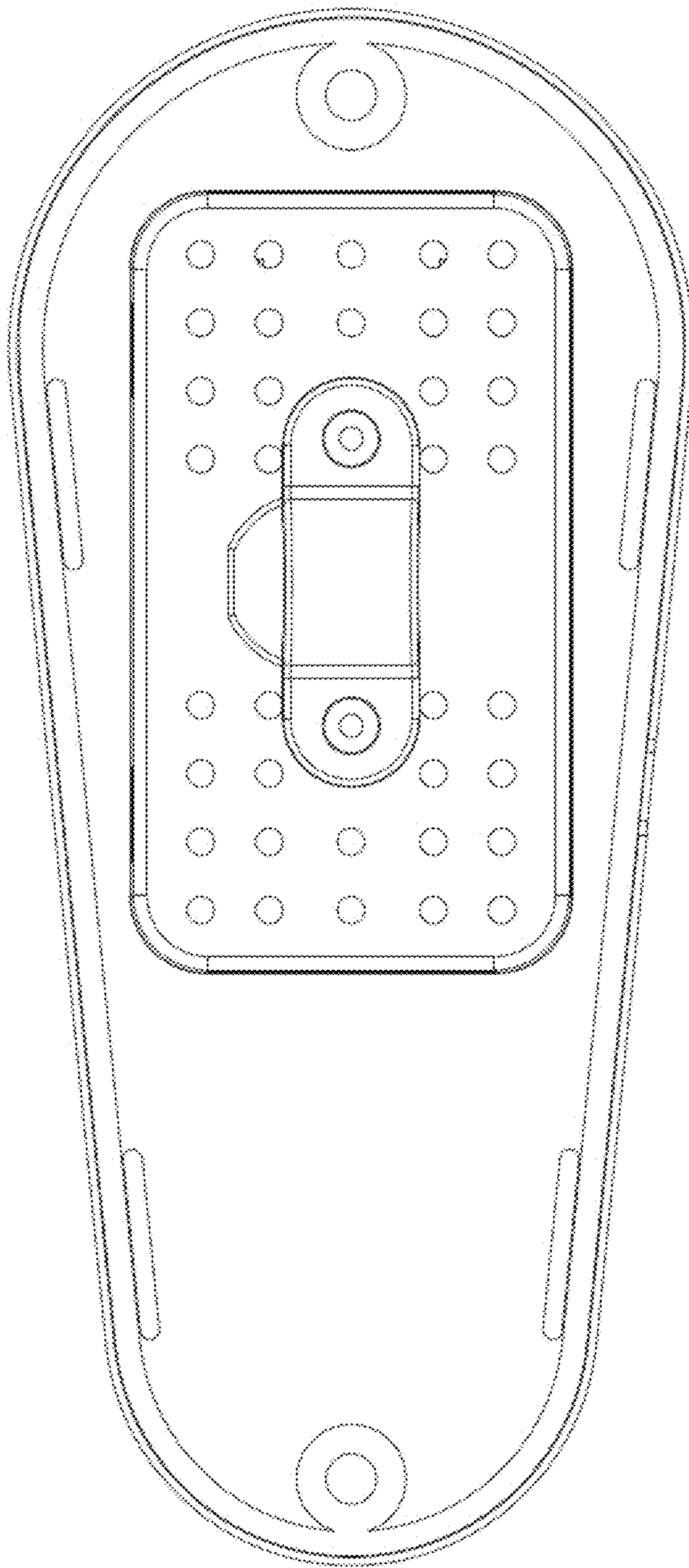


FIG. 4

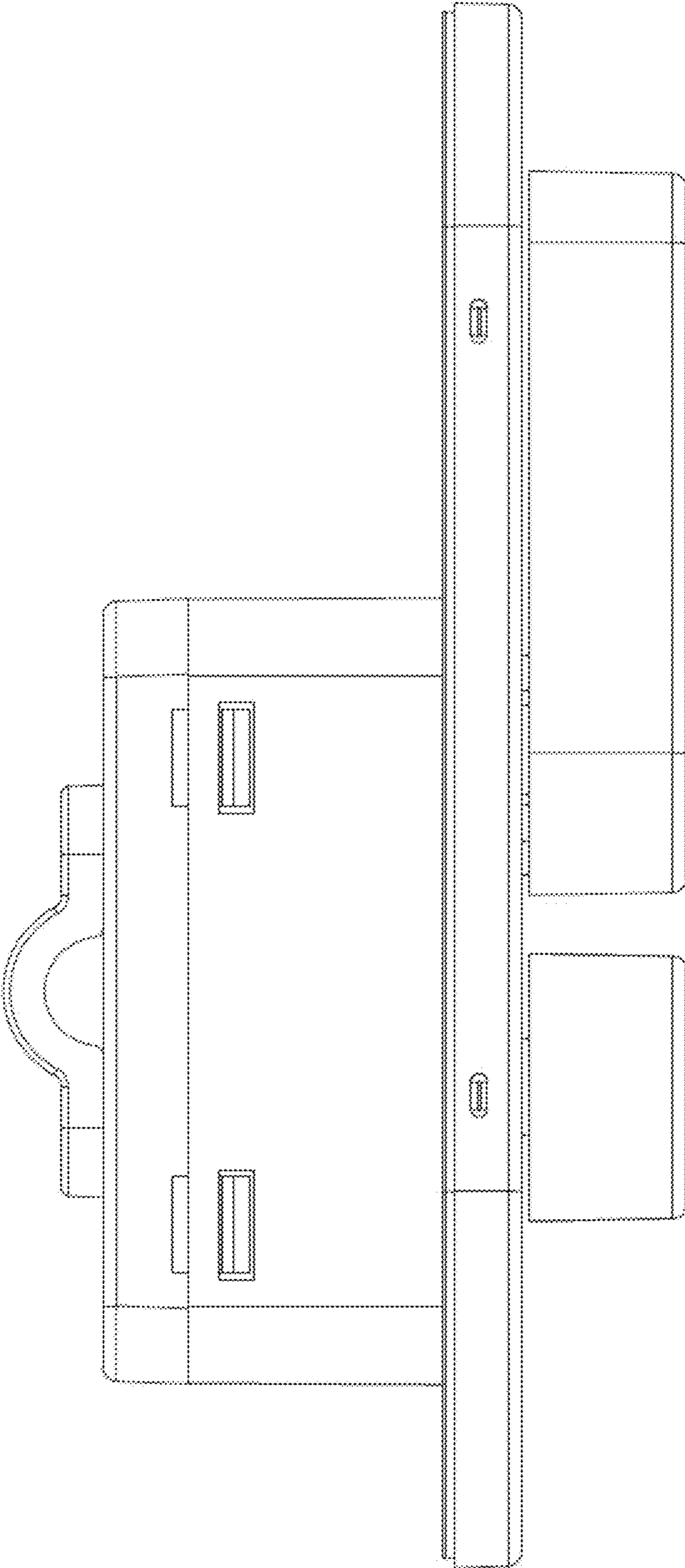


FIG. 5

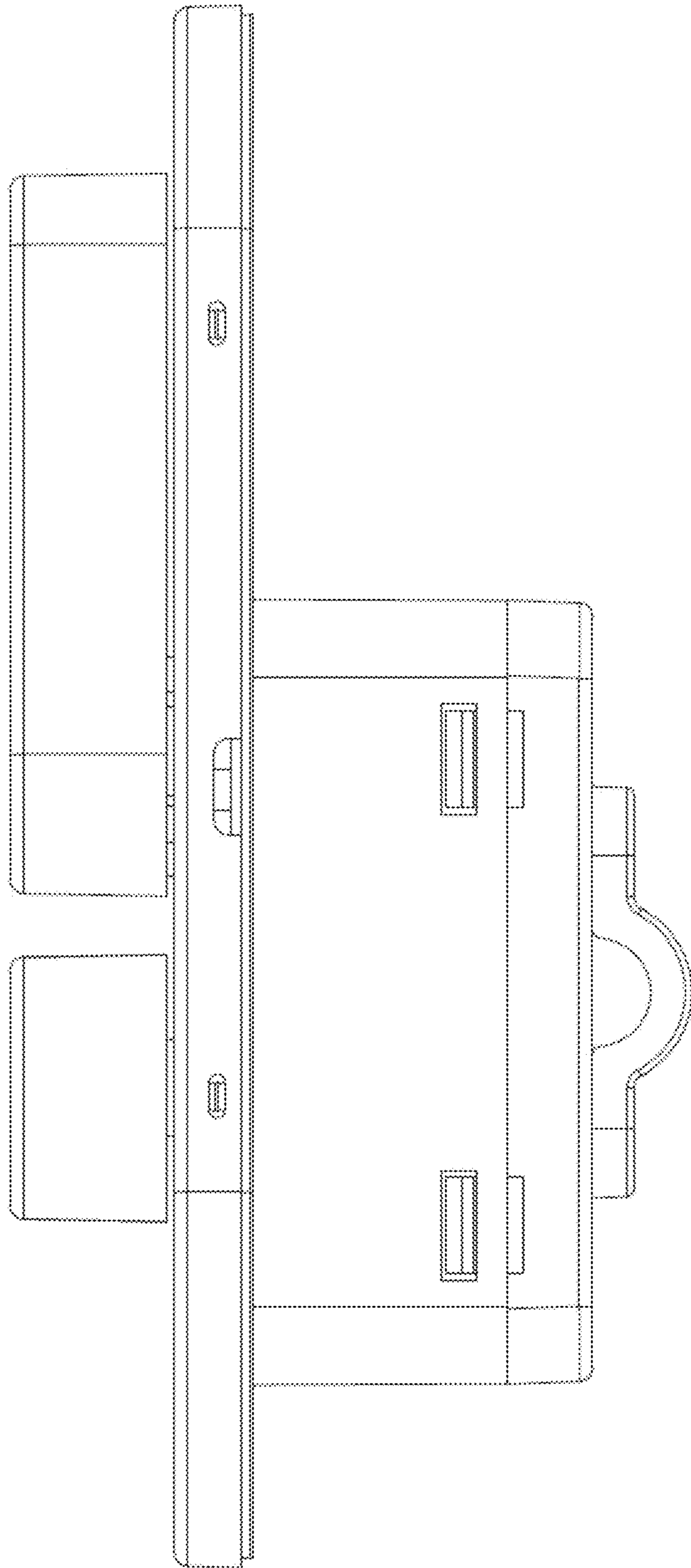


FIG. 6

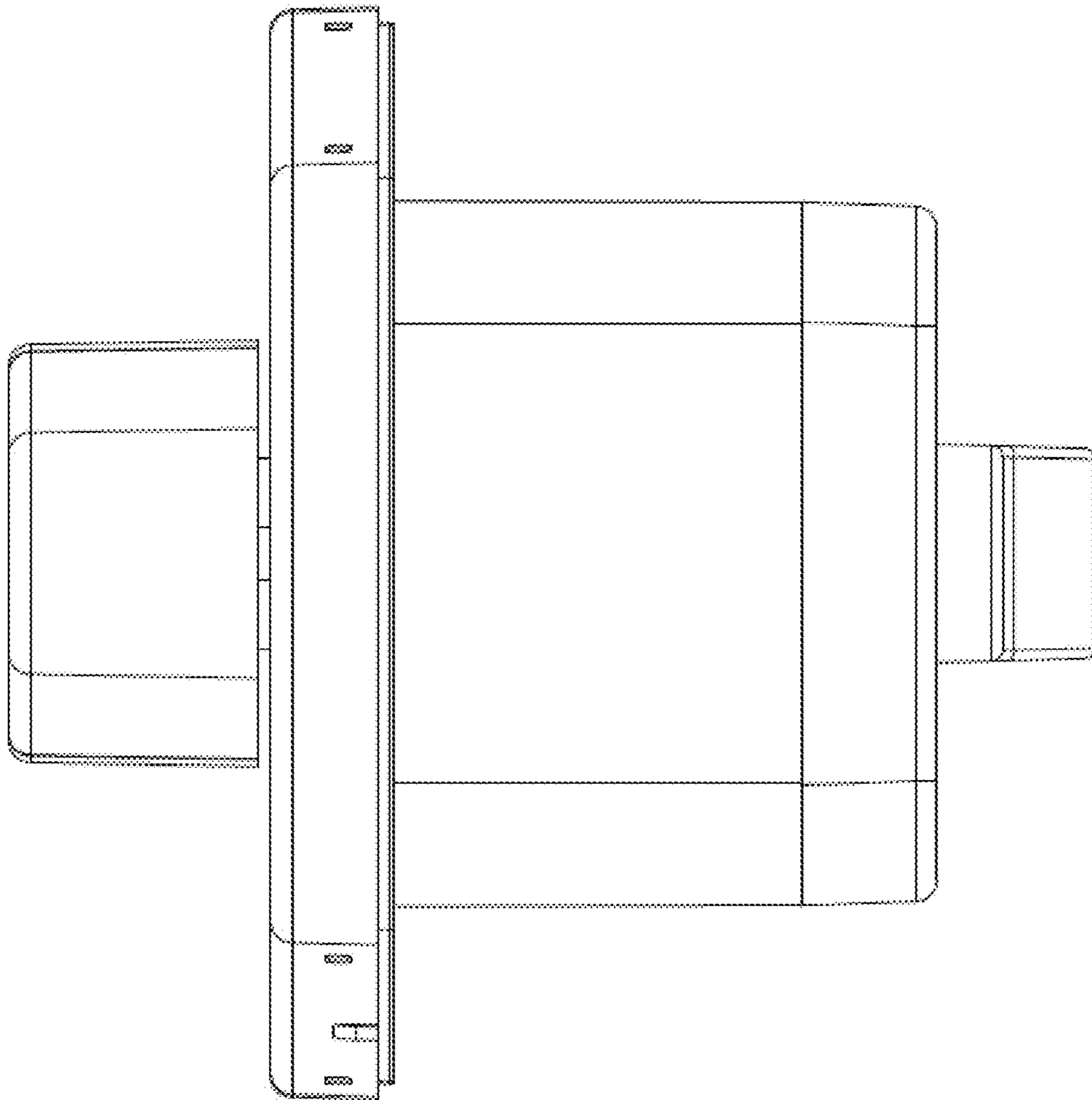


FIG. 7