



US00D818971S

(12) **United States Design Patent** (10) **Patent No.:** **US D818,971 S**
Peng (45) **Date of Patent:** **** May 29, 2018**

(54) **LINE SWITCH PROVIDED WITH WIRELESS REMOTE CONTROL**

(71) Applicant: **Rich Brand Industries Limited,**
Dongguan, Guangdong Province (CN)

(72) Inventor: **Te-Shui Peng,** Taoyuan (TW)

(73) Assignee: **Rich Brand Industries Limited,**
Dongguan (CN)

(**) Term: **15 Years**

(21) Appl. No.: **29/597,521**

(22) Filed: **Mar. 17, 2017**

(51) **LOC (11) Cl.** **13-03**

(52) **U.S. Cl.**
USPC **D13/171; D13/137.3; D13/168**

(58) **Field of Classification Search**
USPC D13/137.3, 137.4, 138.1, 139.6, 139.7,
D13/158, 160, 168, 170, 171
CPC H01H 9/0228; H01H 9/0235; H05B
33/0845; H05B 37/02; H05B 37/0272
See application file for complete search history.

(56) **References Cited**

U.S. PATENT DOCUMENTS

D307,579 S *	5/1990	Layne	D13/137.3
D367,261 S *	2/1996	Hansen	D13/138.1
D391,922 S *	3/1998	Aromin	D13/160
6,051,801 A *	4/2000	Wang	H01H 9/0228 200/284
6,255,613 B1 *	7/2001	Yang	H01H 9/0228 200/553
D626,921 S *	11/2010	Pang	D13/158
8,294,372 B2 *	10/2012	Yang	H05B 37/0281 315/133

9,320,115 B2 *	4/2016	Quaal	H05B 37/0227
9,332,615 B1 *	5/2016	Peng	H01H 9/0228
9,456,479 B1 *	9/2016	Peng	H01H 19/08
D783,544 S *	4/2017	Peng	D13/160
D783,546 S *	4/2017	Peng	D13/170
9,767,972 B2 *	9/2017	Peng	H01H 1/5805
2012/0305375 A1 *	12/2012	Kwok	H01H 1/5866 200/293
2015/0109721 A1 *	4/2015	Willcocks	H05B 37/0272 361/679.01
2016/0380424 A1 *	12/2016	Aromin	H02H 3/162 361/50
2017/0140884 A1 *	5/2017	Peng	H01H 1/5805

* cited by examiner

Primary Examiner — Selina Sikder

(74) *Attorney, Agent, or Firm* — Alan D. Kamrath;
Kamrath IP Lawfirm, P.A.

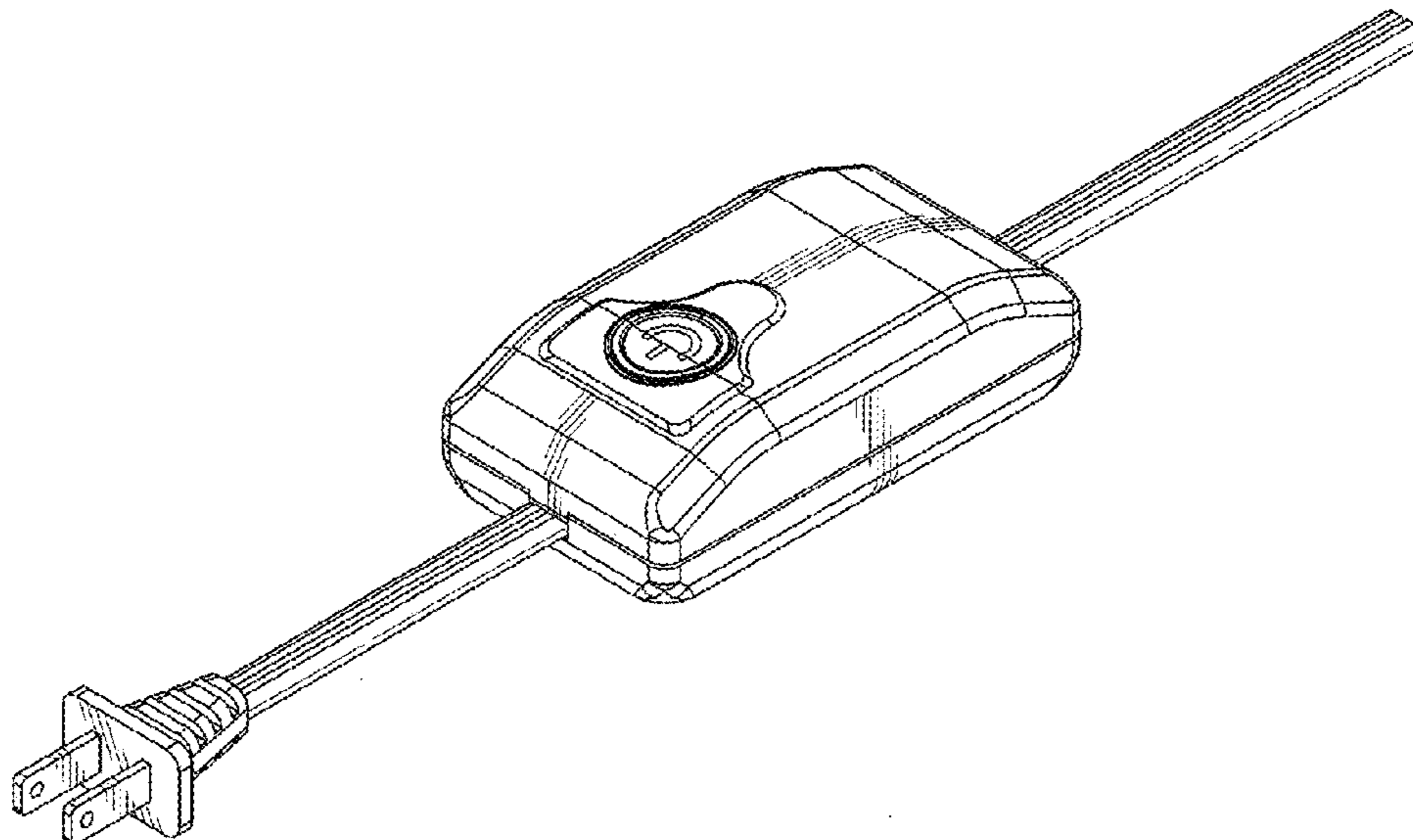
(57) **CLAIM**

The ornamental design for a line switch provided with wireless remote control, as shown and described.

DESCRIPTION

FIG. 1 is a perspective view of the line switch provided with wireless remote control showing my new design;
FIG. 2 is a front elevational view thereof;
FIG. 3 is a rear elevational view thereof;
FIG. 4 is a left side elevational view thereof;
FIG. 5 is a right side elevational view thereof;
FIG. 6 is a top plan view thereof;
FIG. 7 is a bottom plan view thereof; and,
FIG. 8 is an another perspective view of the line switch provided with wireless remote control showing my new design.

1 Claim, 5 Drawing Sheets



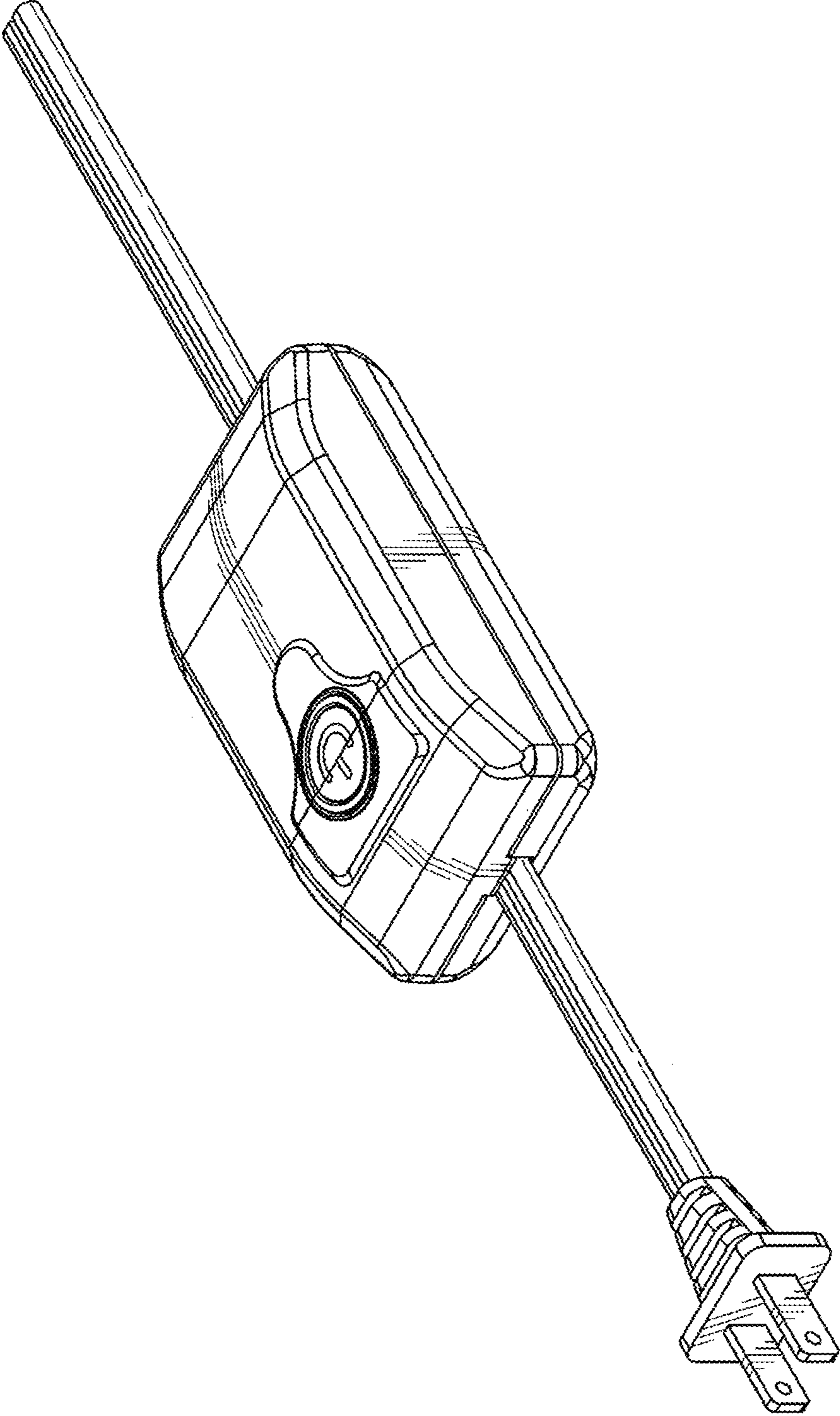


FIG. 1

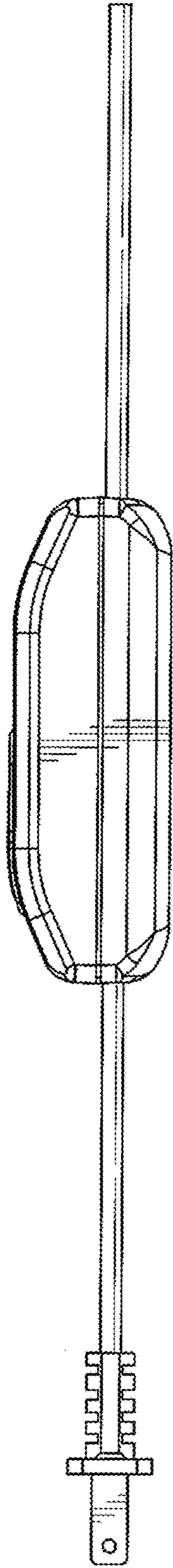


FIG. 2

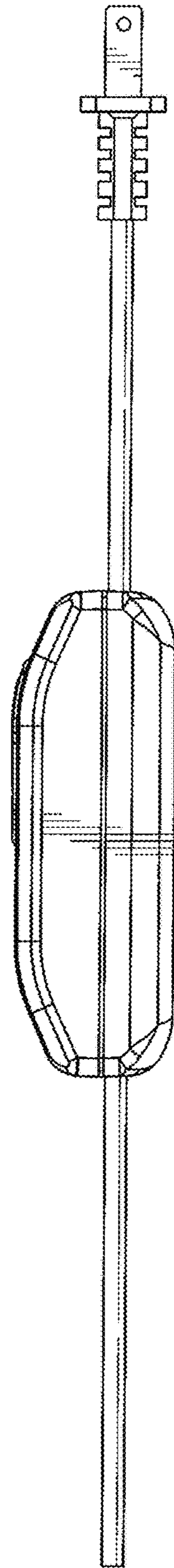


FIG. 3

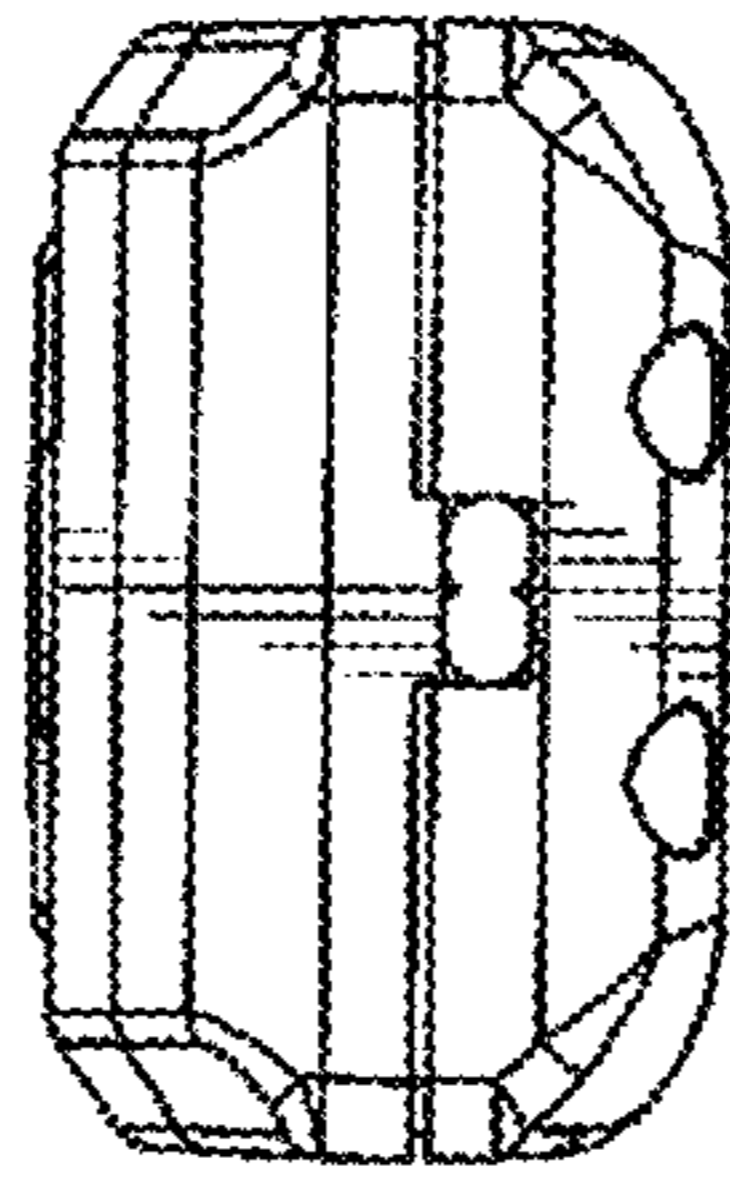


FIG. 5

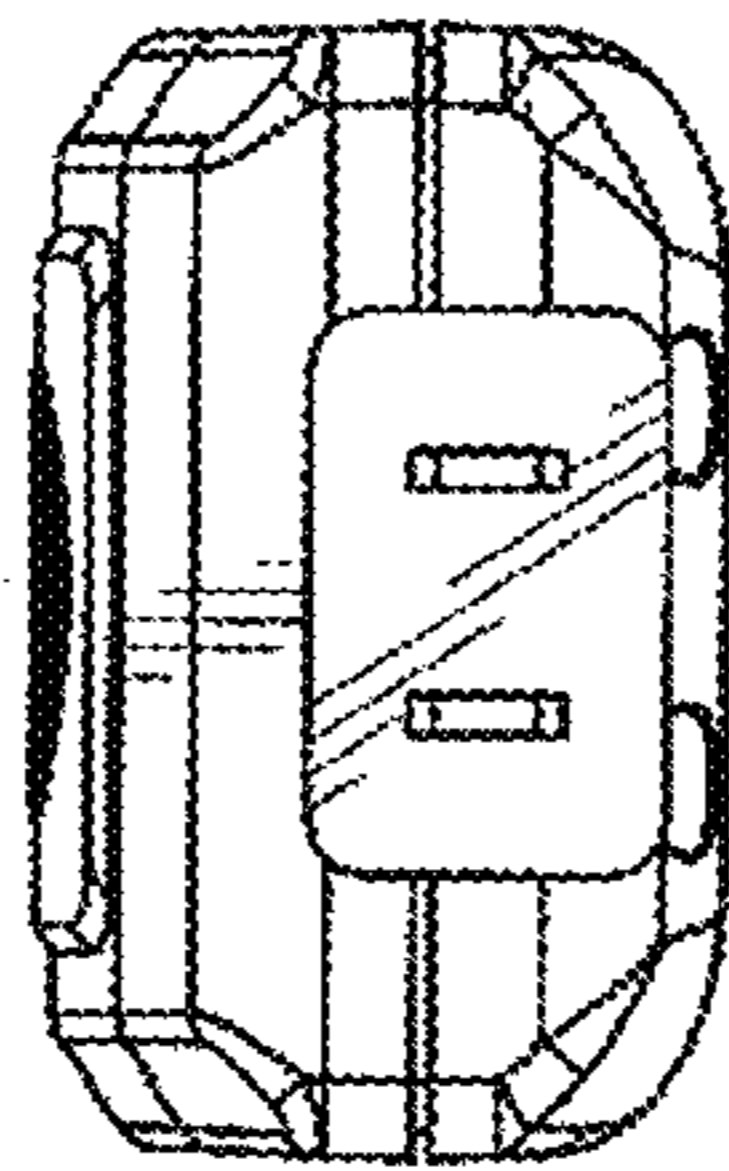


FIG. 4

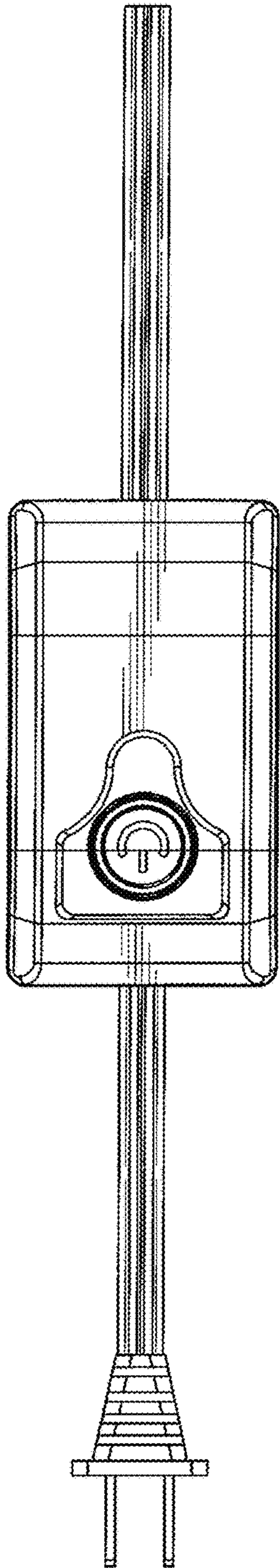


FIG. 6

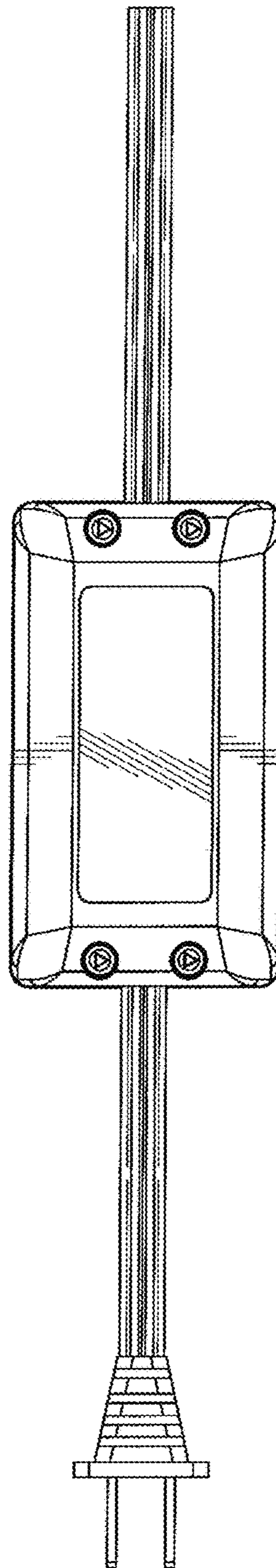


FIG. 7

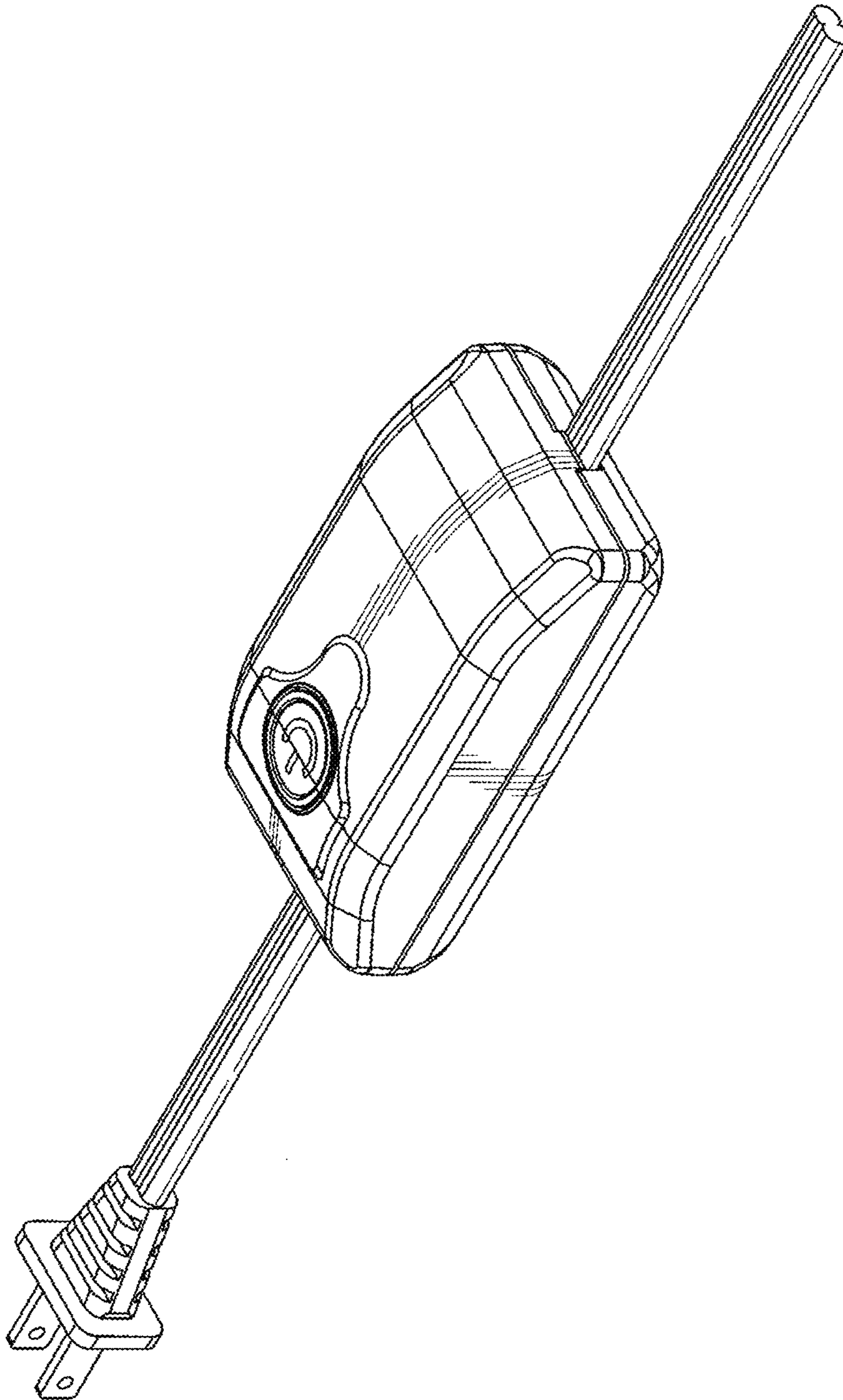


FIG. 8