



US00D818970S

(12) **United States Design Patent**  
**Zhou et al.**

(10) **Patent No.:** **US D818,970 S**

(45) **Date of Patent:** **\*\* May 29, 2018**

(54) **TOUCHSCREEN REMOTE CONTROL**

(71) Applicant: **OKIN Refined Electric Technology Co., Ltd., Zhejiang (CN)**

(72) Inventors: **Weili Zhou, Zhejiang (CN); Shiguang Xue, Zhejiang (CN); Long Li, Zhejiang (CN)**

(73) Assignee: **OKIN Refined Electric Technology Co., Ltd. (CN)**

(\*\*) Term: **15 Years**

(21) Appl. No.: **29/581,093**

(22) Filed: **Oct. 16, 2016**

(51) **LOC (11) Cl.** ..... **14-03**

(52) **U.S. Cl.**  
USPC ..... **D13/168; D13/164**

(58) **Field of Classification Search**  
USPC ..... **D13/162, 164, 168; D10/49, 50; D14/218**

CPC ..... **G02F 1/13338; H03K 17/96; G05B 19/0426; G05B 19/409; G05B 15/02; G06F 1/1601; G06F 3/0416; G06F 3/0482; G06F 3/0489; G05D 23/1902; G05D 23/1905; G05D 23/1931; H05B 37/02**

See application file for complete search history.

(56) **References Cited**

**U.S. PATENT DOCUMENTS**

D351,141 S	*	10/1994	Van Akkeren	.....	D13/168
D429,699 S	*	8/2000	Davis	.....	D13/162
D450,305 S	*	11/2001	Masuzoe	.....	D13/168
D451,891 S	*	12/2001	Noonan	.....	D13/168
D611,914 S	*	3/2010	Chiang	.....	D13/164

D639,751 S	*	6/2011	Tucker	.....	D13/168
D640,640 S	*	6/2011	Duckworth	.....	D13/162
D661,662 S	*	6/2012	Kikuchi	.....	D13/168
D678,219 S	*	3/2013	Higashijima	.....	D13/168
D688,634 S	*	8/2013	Sakai	.....	D13/168
D770,393 S	*	11/2016	Jacoby	.....	D13/164
D783,545 S	*	4/2017	Feldstein	.....	D13/164
2003/0184528 A1	*	10/2003	Kawasaki	.....	G02F 1/13338 345/173
2005/0134575 A1	*	6/2005	Kim	.....	G02F 1/1323 345/173
2010/0007405 A1	*	1/2010	Wang	.....	H03K 17/945 327/517
2010/0259503 A1	*	10/2010	Yanase	.....	G06F 3/0416 345/174
2016/0124567 A1	*	5/2016	Gusi	.....	G06F 1/3231 345/174
2018/0011574 A1	*	1/2018	Lim	.....	G06F 3/0412
2018/0052559 A1	*	2/2018	Xue	.....	G02F 1/13338

\* cited by examiner

*Primary Examiner* — Selina Sikder

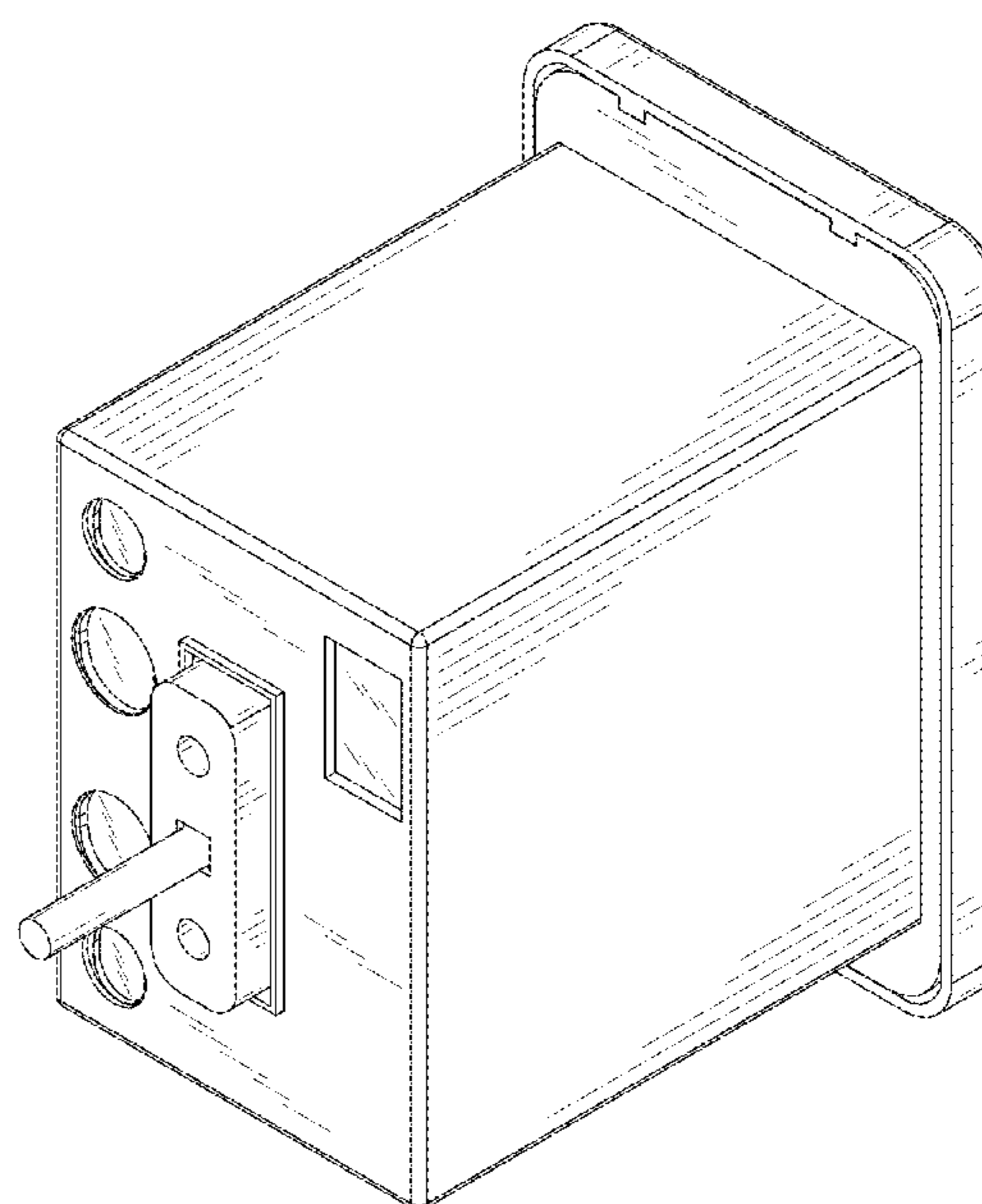
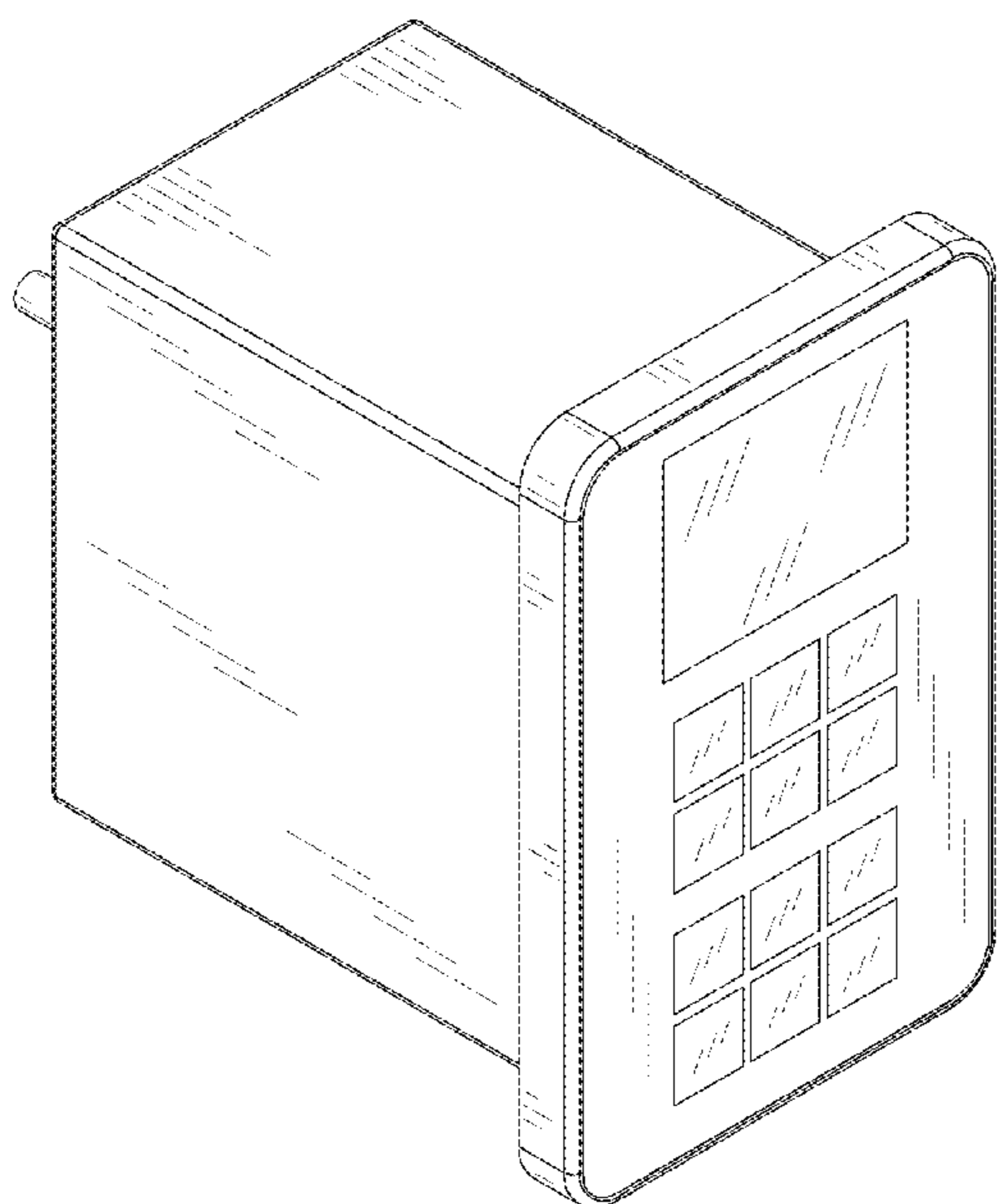
(57) **CLAIM**

The ornamental design for a touchscreen remote control, as shown and described.

**DESCRIPTION**

FIG. 1 is a front view of the touchscreen remote control showing our new design;  
FIG. 2 is a back view thereof;  
FIG. 3 is a left side view thereof;  
FIG. 4 is a right side view thereof;  
FIG. 5 is a top view thereof;  
FIG. 6 is a bottom view thereof;  
FIG. 7 is a perspective view thereof; and,  
FIG. 8 is top perspective view thereof.

**1 Claim, 8 Drawing Sheets**



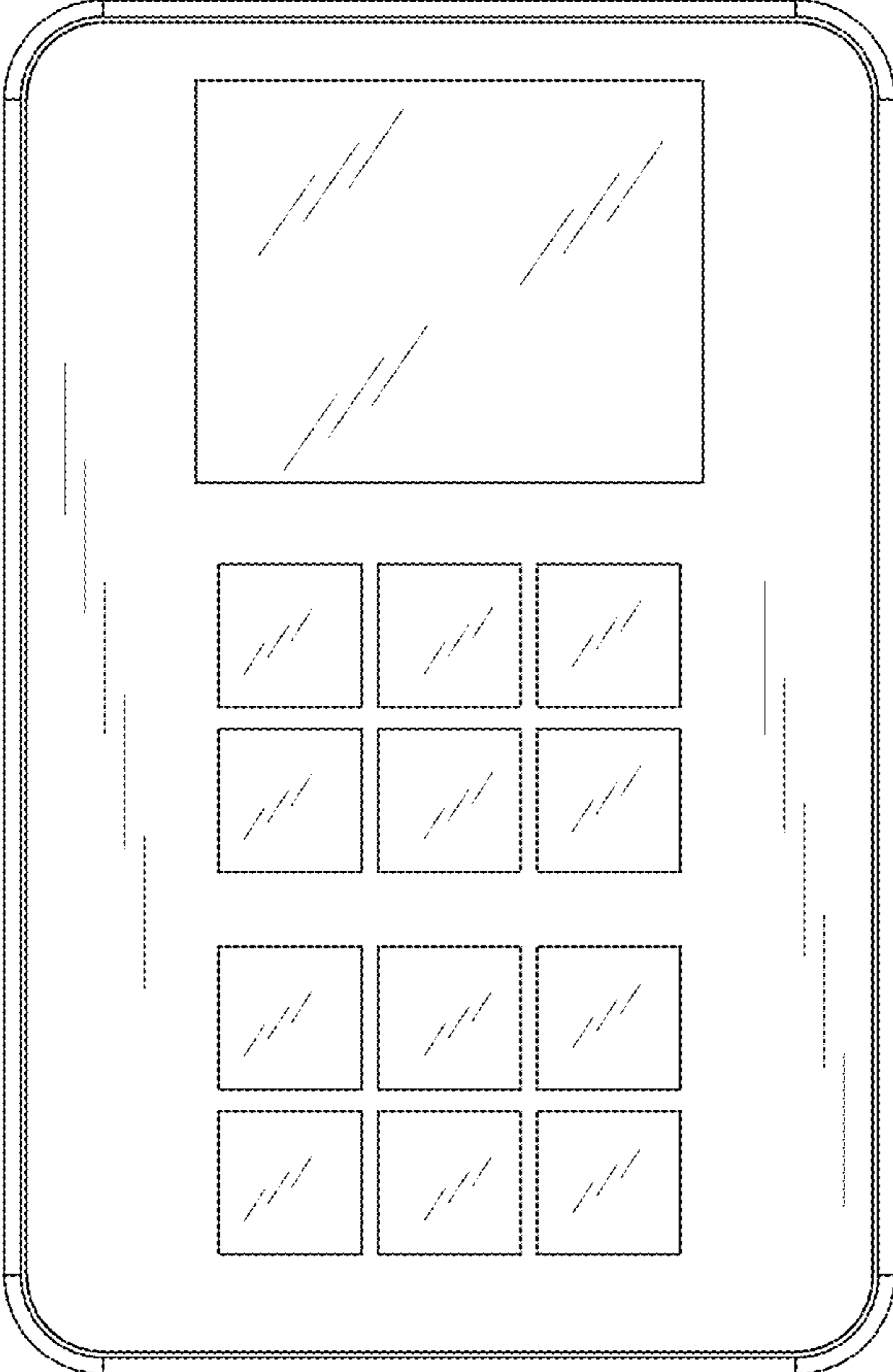


FIG.1

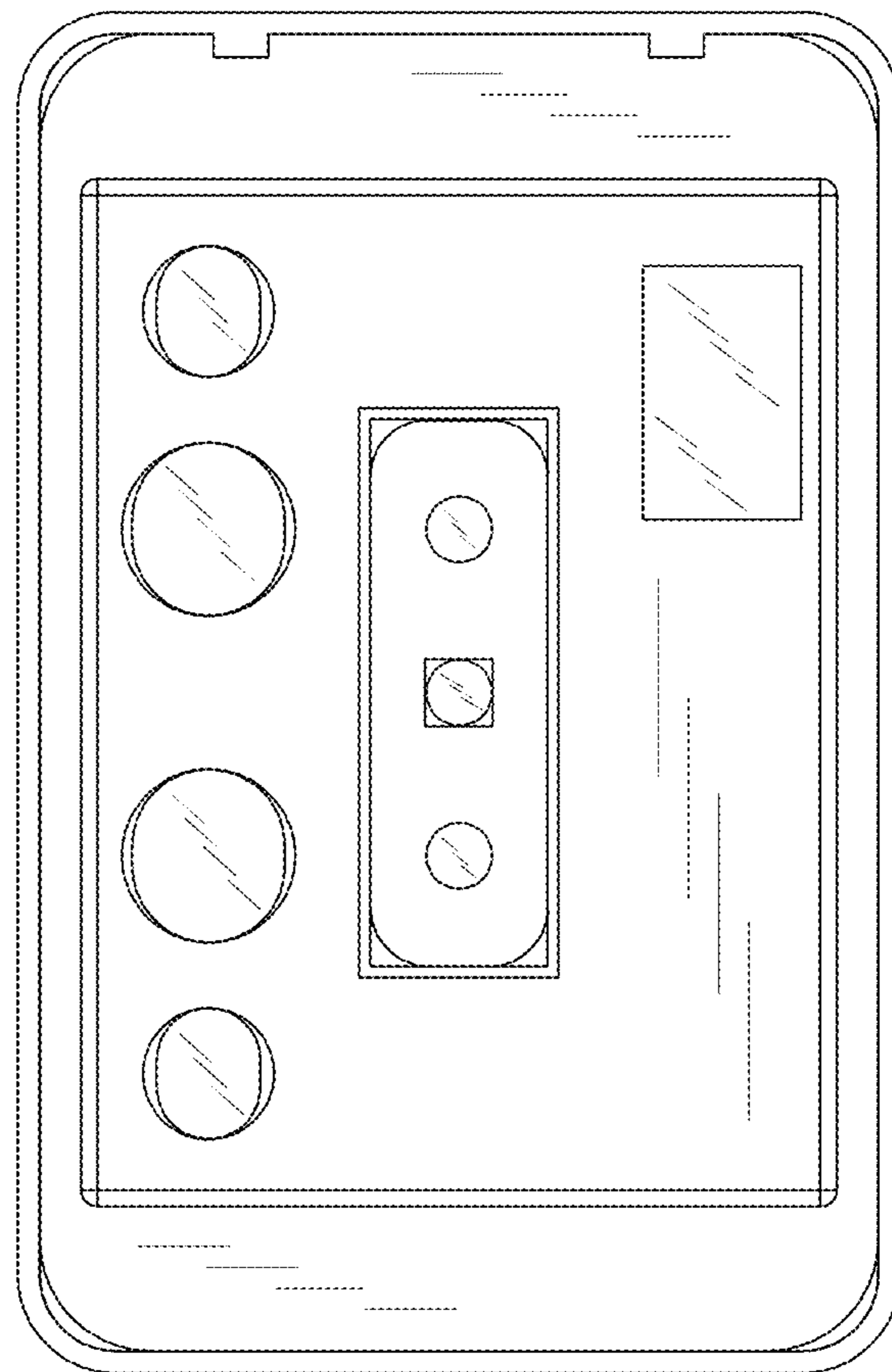


FIG.2

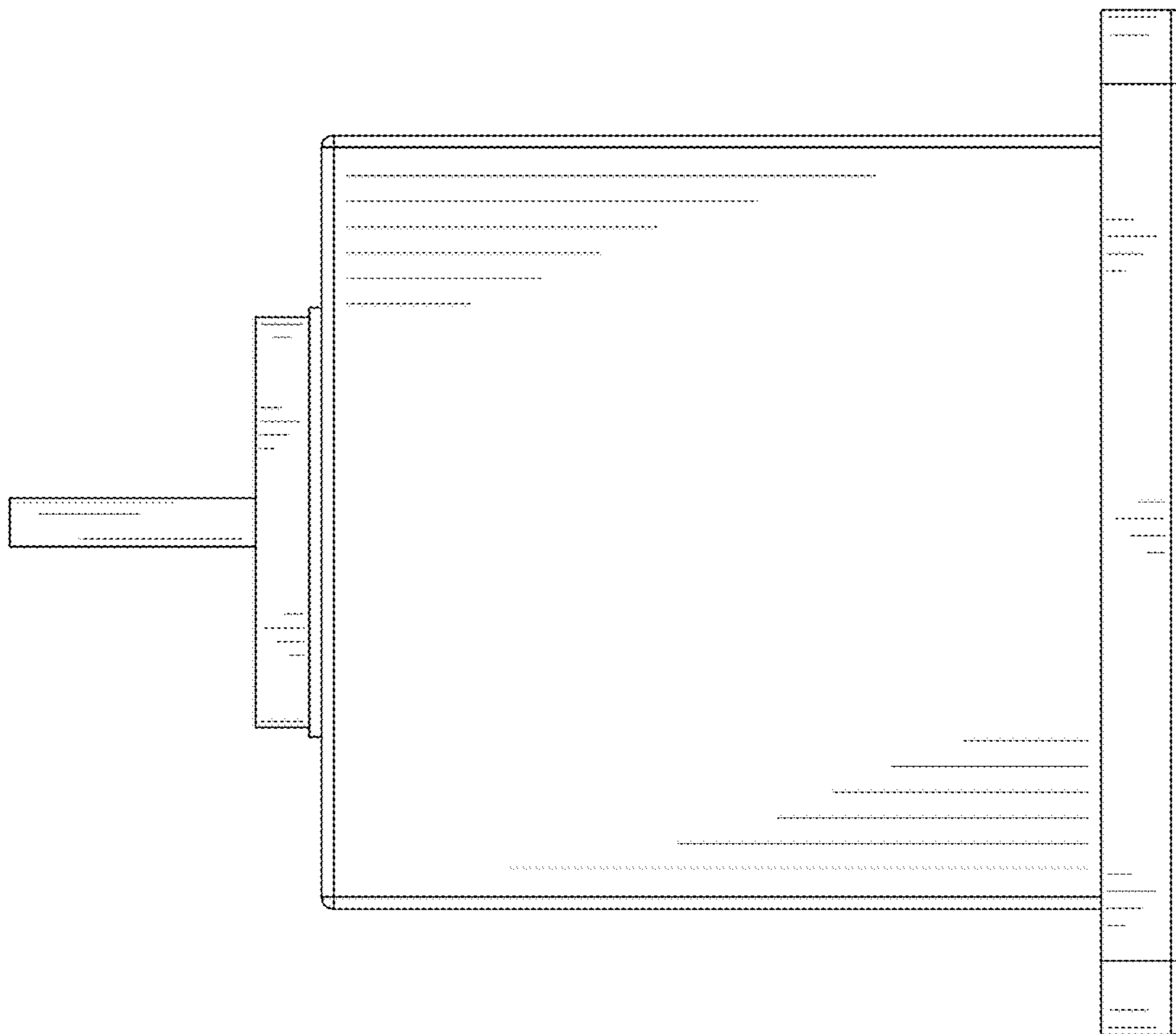


FIG.3

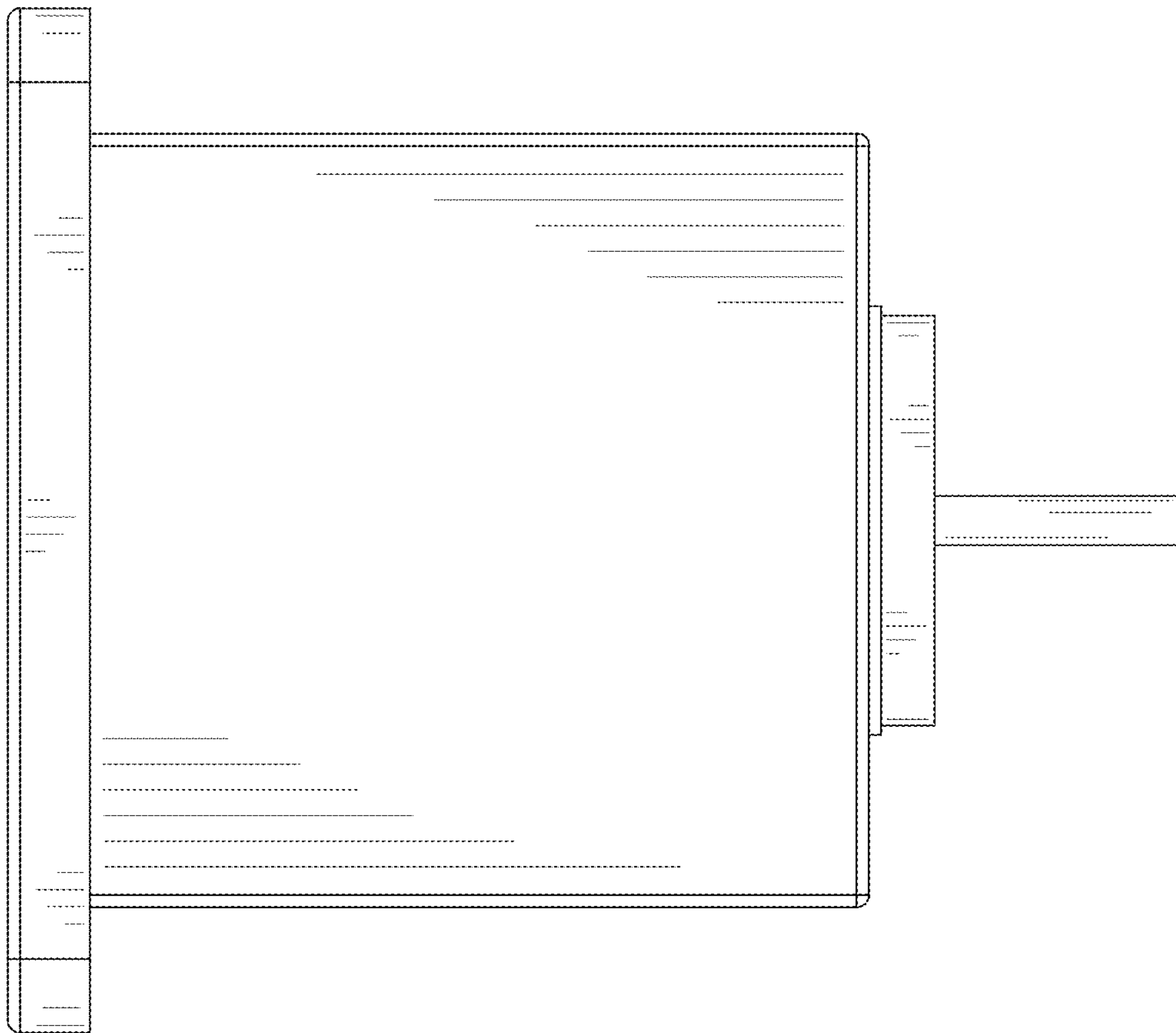


FIG. 4

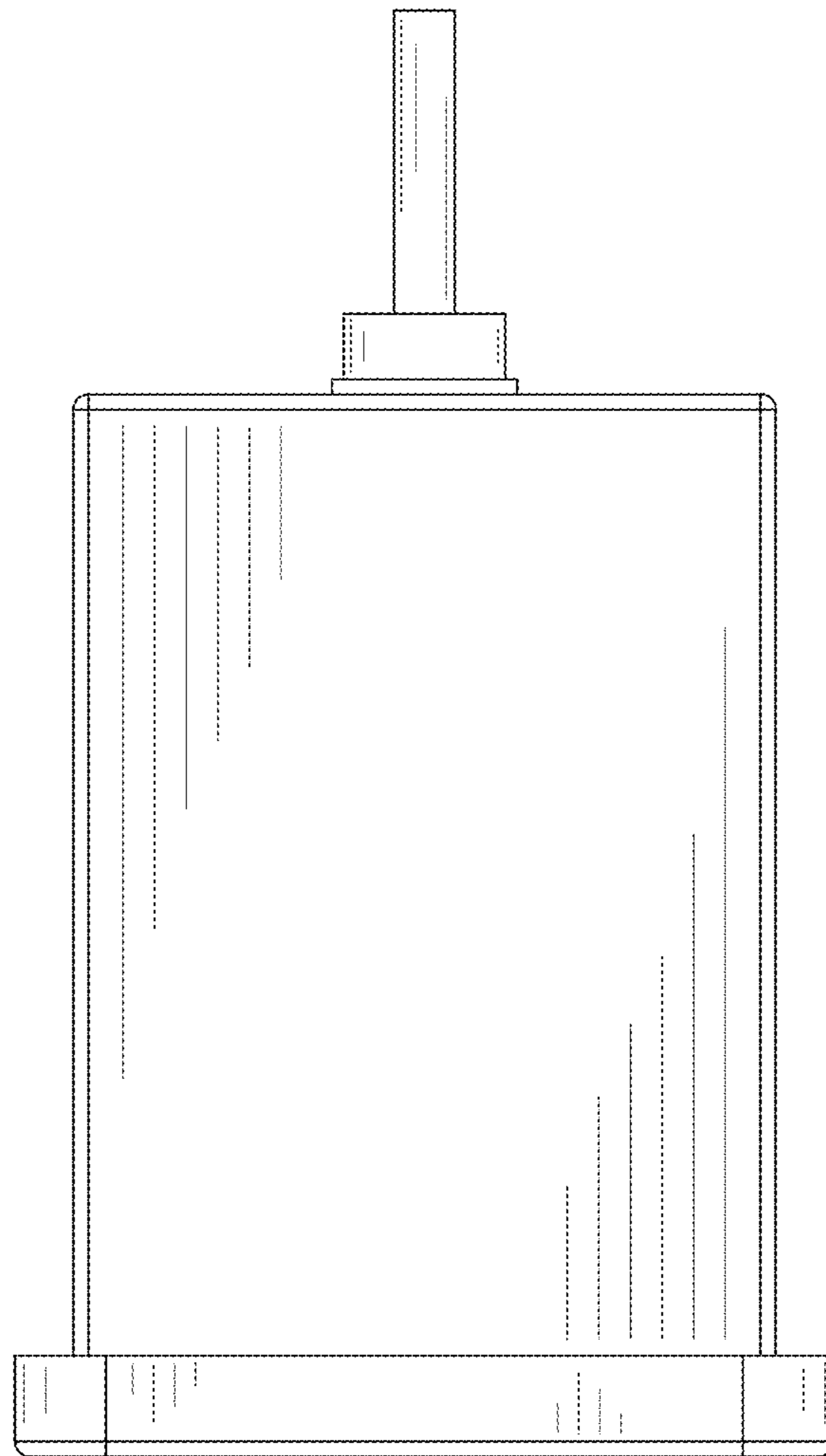


FIG.5

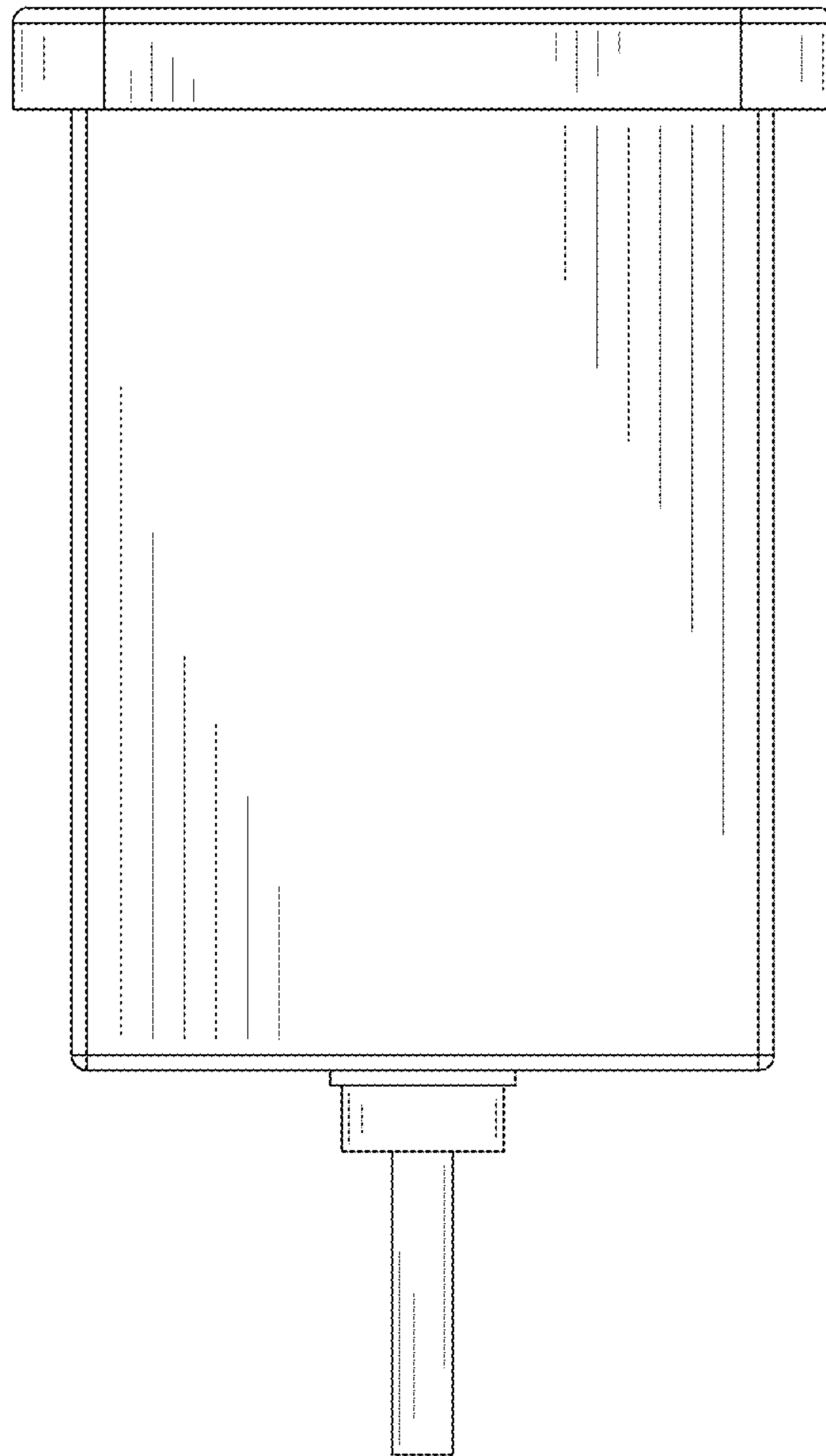


FIG.6

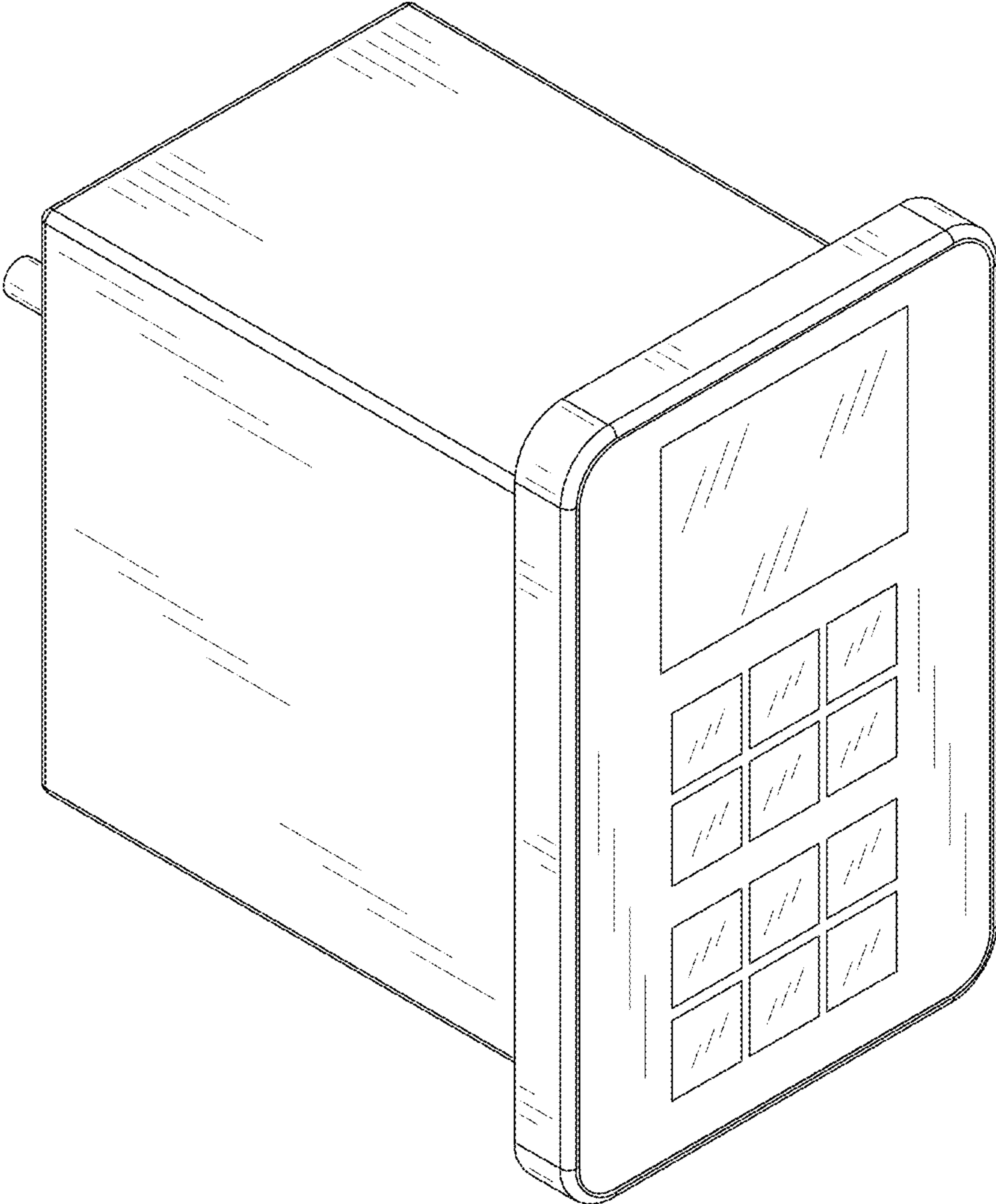


FIG.7



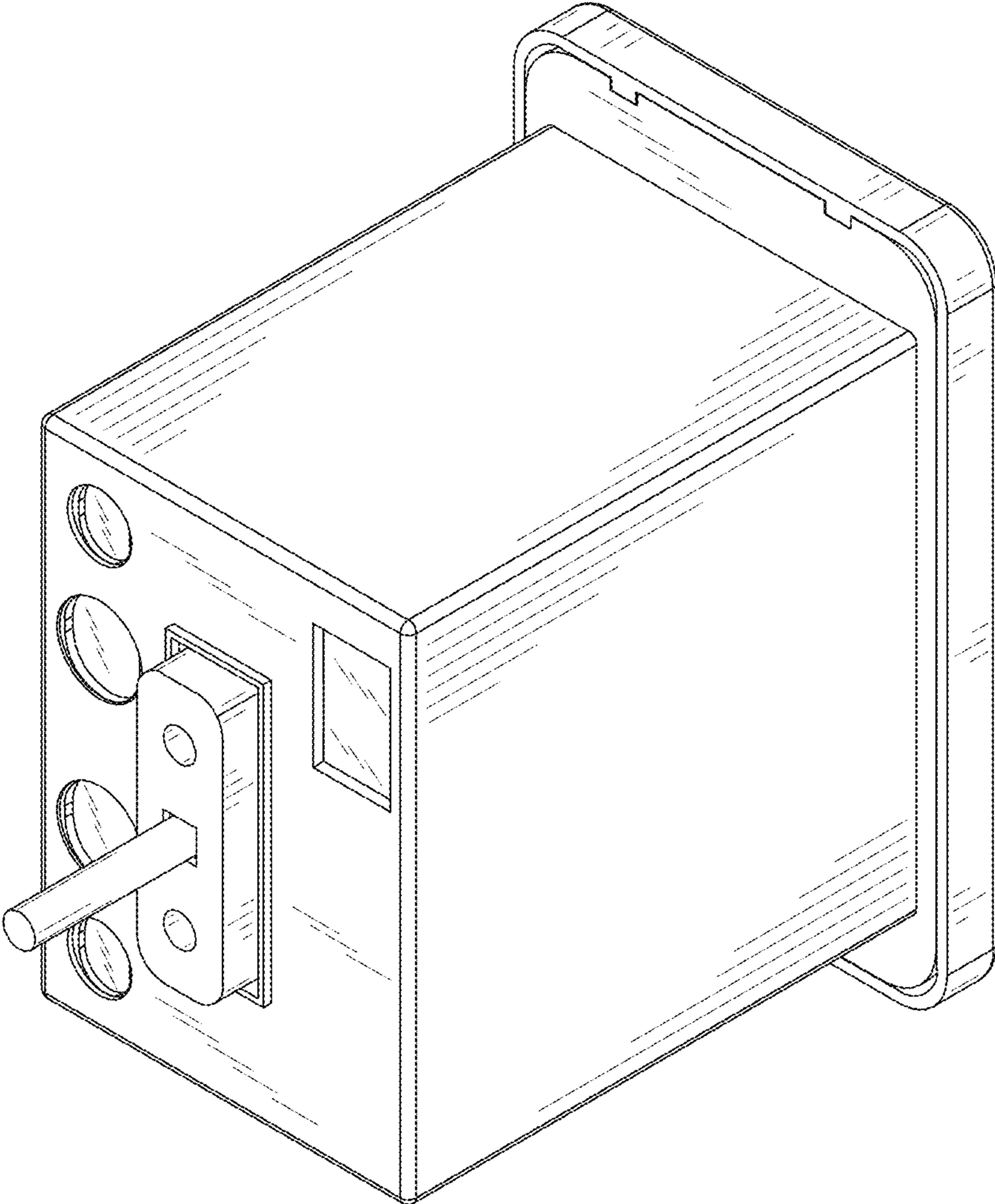


FIG.8