



US00D818969S

(12) **United States Design Patent**
Weber

(10) **Patent No.:** **US D818,969 S**

(45) **Date of Patent:** **** May 29, 2018**

(54) **FUSE HOLDER**
(71) Applicant: **SCHURTER HOLDING AG**, Lucerne (CH)
(72) Inventor: **Peter Michael Weber**, Lucerne (CH)
(**) Term: **15 Years**

D415,104 S * 10/1999 Klaus D13/134
D425,024 S * 5/2000 Klaus D13/134
D461,781 S * 8/2002 Fukumori H01H 85/2035
D13/161
D462,331 S * 9/2002 Fukumori D13/161
D525,210 S * 7/2006 Disbennett D13/161
D585,021 S * 1/2009 Surrette D13/119
D585,823 S * 2/2009 Guccione D13/108
7,553,047 B2 * 6/2009 Shin F21K 9/00
361/720
D621,783 S * 8/2010 Riede D13/144
D642,548 S * 8/2011 Bowen, III D13/183
D648,006 S * 11/2011 Morishita D23/259
D660,509 S * 5/2012 Hsu D26/142
D664,936 S * 8/2012 Nakayama D13/178
D669,442 S * 10/2012 Bowen, III D13/183
D700,577 S * 3/2014 Ding D13/134
D731,411 S * 6/2015 Nakaishi D13/103
D770,374 S * 11/2016 He D13/103

(21) Appl. No.: **35/502,600**

(22) Filed: **Feb. 6, 2017**

(80) **Hague Agreement Data**

Int. Filing Date: **Feb. 6, 2017**
Int. Reg. No.: **DM/094937**
Int. Reg. Date: **Feb. 6, 2017**
Int. Reg. Pub. Date: **Mar. 10, 2017**

(51) **LOC (11) Cl.** **13-03**

(52) **U.S. Cl.**
USPC **D13/160**

(58) **Field of Classification Search**
USPC D13/160, 161, 119, 108, 144, 183, 178,
D13/134, 103, 135; D26/85, 142;
D23/259; 361/720; 174/93
CPC H01R 13/523; H01H 85/2035; F21K 9/00
See application file for complete search history.

(56) **References Cited**

U.S. PATENT DOCUMENTS

3,609,639 A * 9/1971 Lind H01R 13/523
174/93
D261,261 S * 10/1981 Linton D13/161
D261,262 S * 10/1981 Linton D13/161
D291,557 S * 8/1987 Engel D13/135
D294,976 S * 3/1988 Ewing D26/85
D326,845 S * 6/1992 Katz D13/160
D336,463 S * 6/1993 Nimpoeno D13/161
D364,848 S * 12/1995 Miyanishi D13/161
D390,831 S * 2/1998 Liang D13/178

* cited by examiner

Primary Examiner — Rhea Shields

(57) **CLAIM**

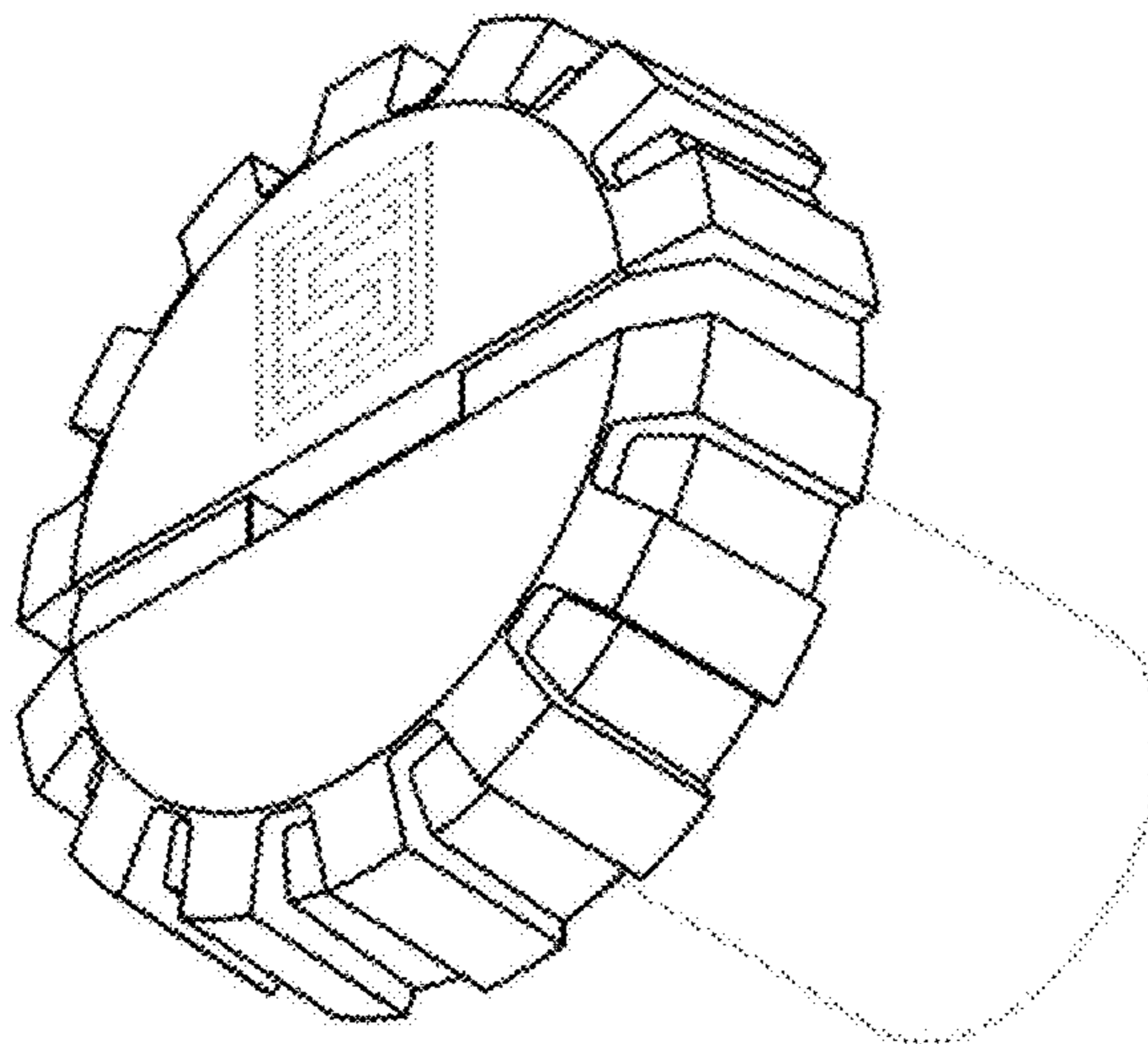
The ornamental design for a fuse holder, as shown and described.

DESCRIPTION

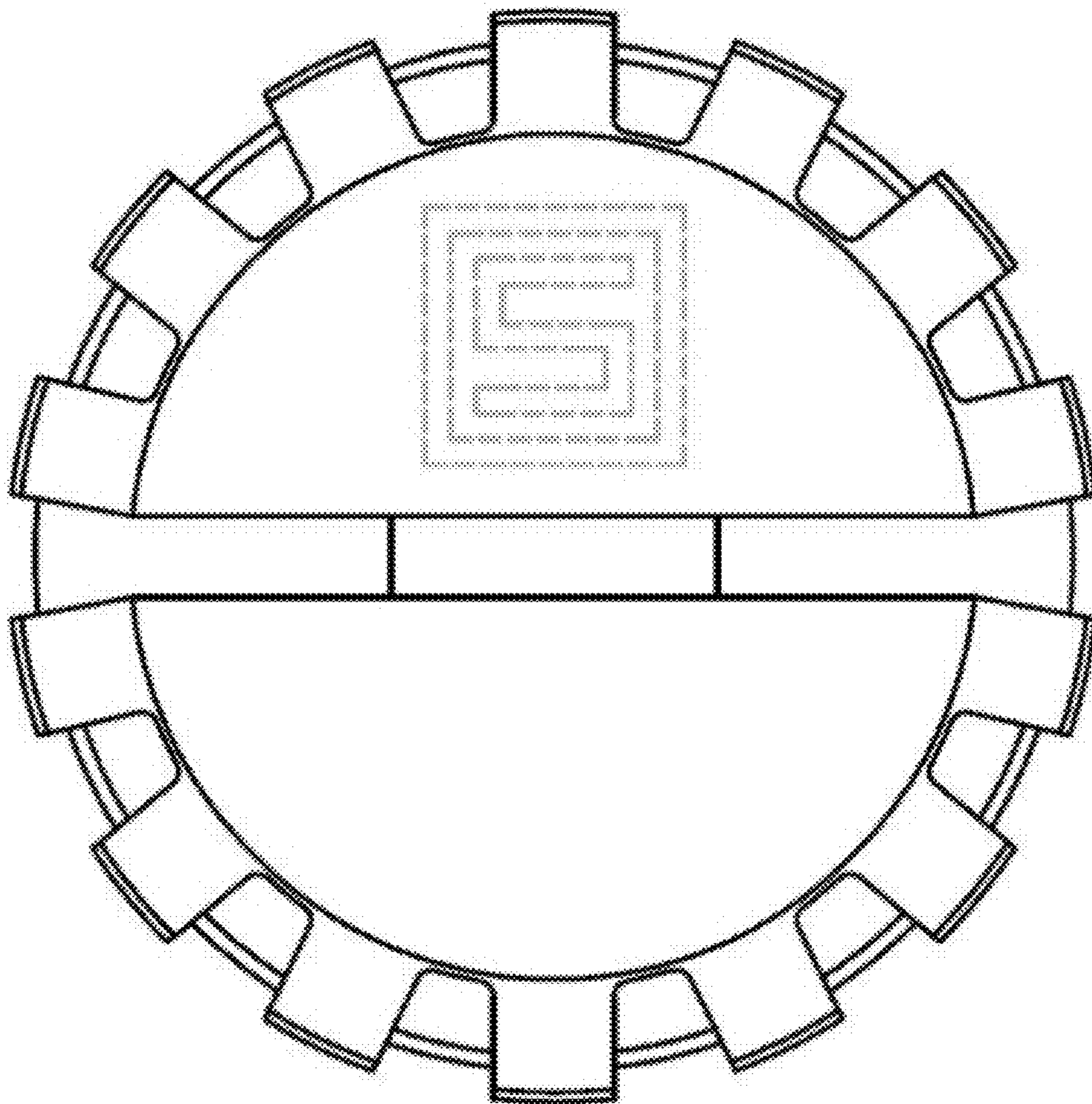
- 1. Fuse holder
- 1.1 : Front
- 1.2 : Bottom
- 1.3 : Top
- 1.4 : Right
- 1.5 : Left
- 1.6 : Back
- 1.7 : Perspective
- 1.8 : Perspective

In the drawings, the broken lines are for the purpose of illustrating environment only and form no part of the claimed design.

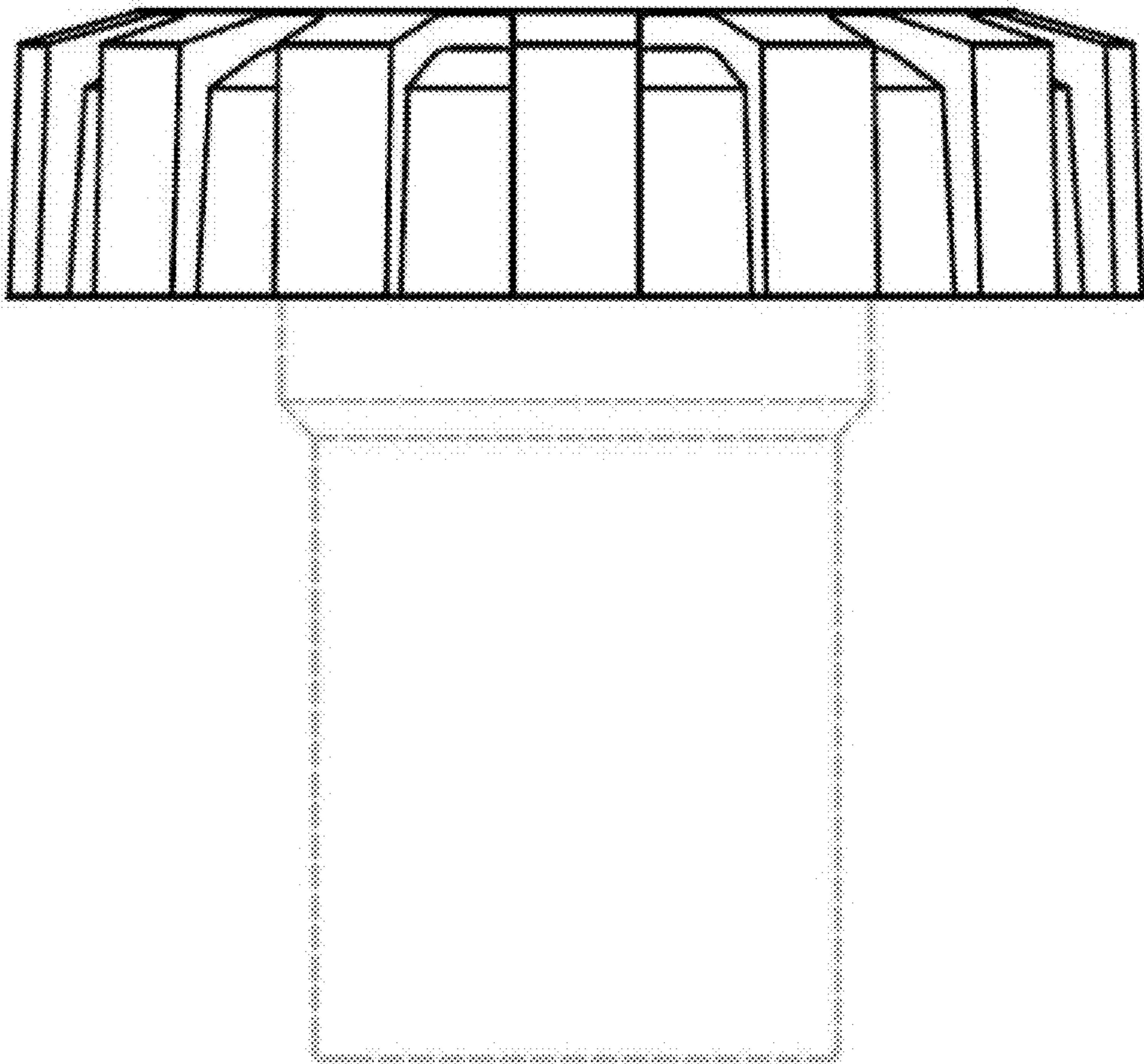
1 Claim, 8 Drawing Sheets



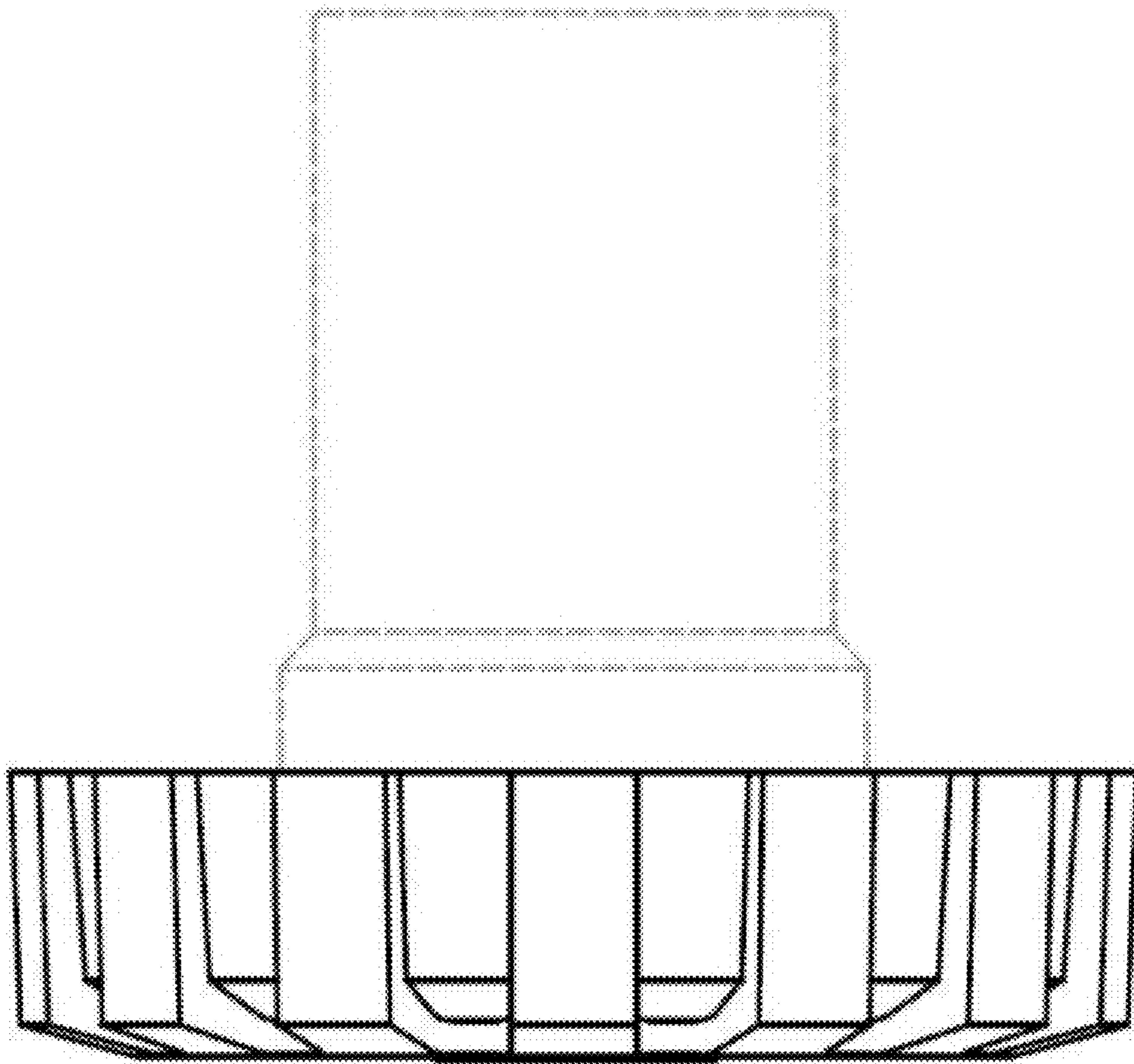
1.1



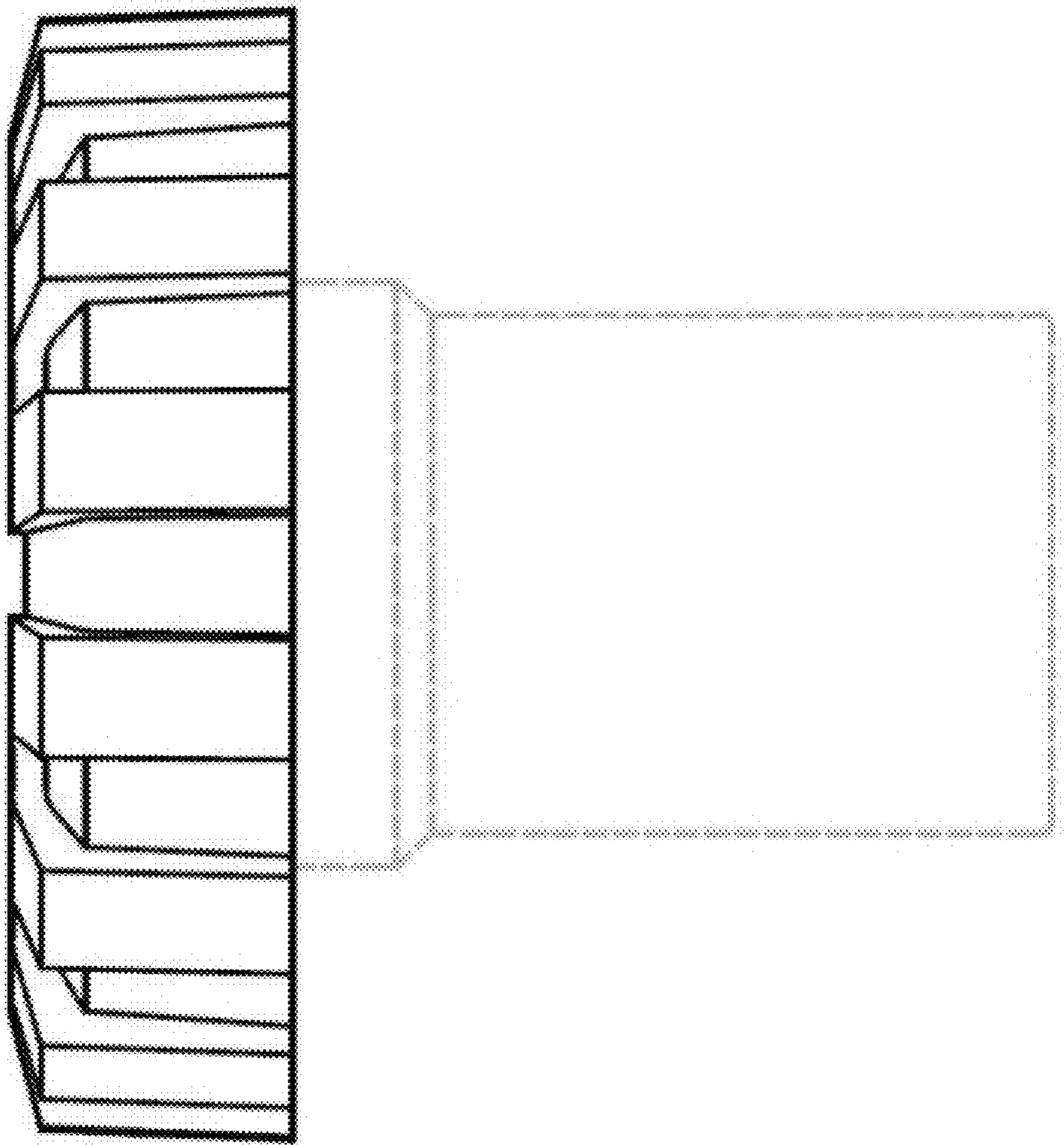
1.2



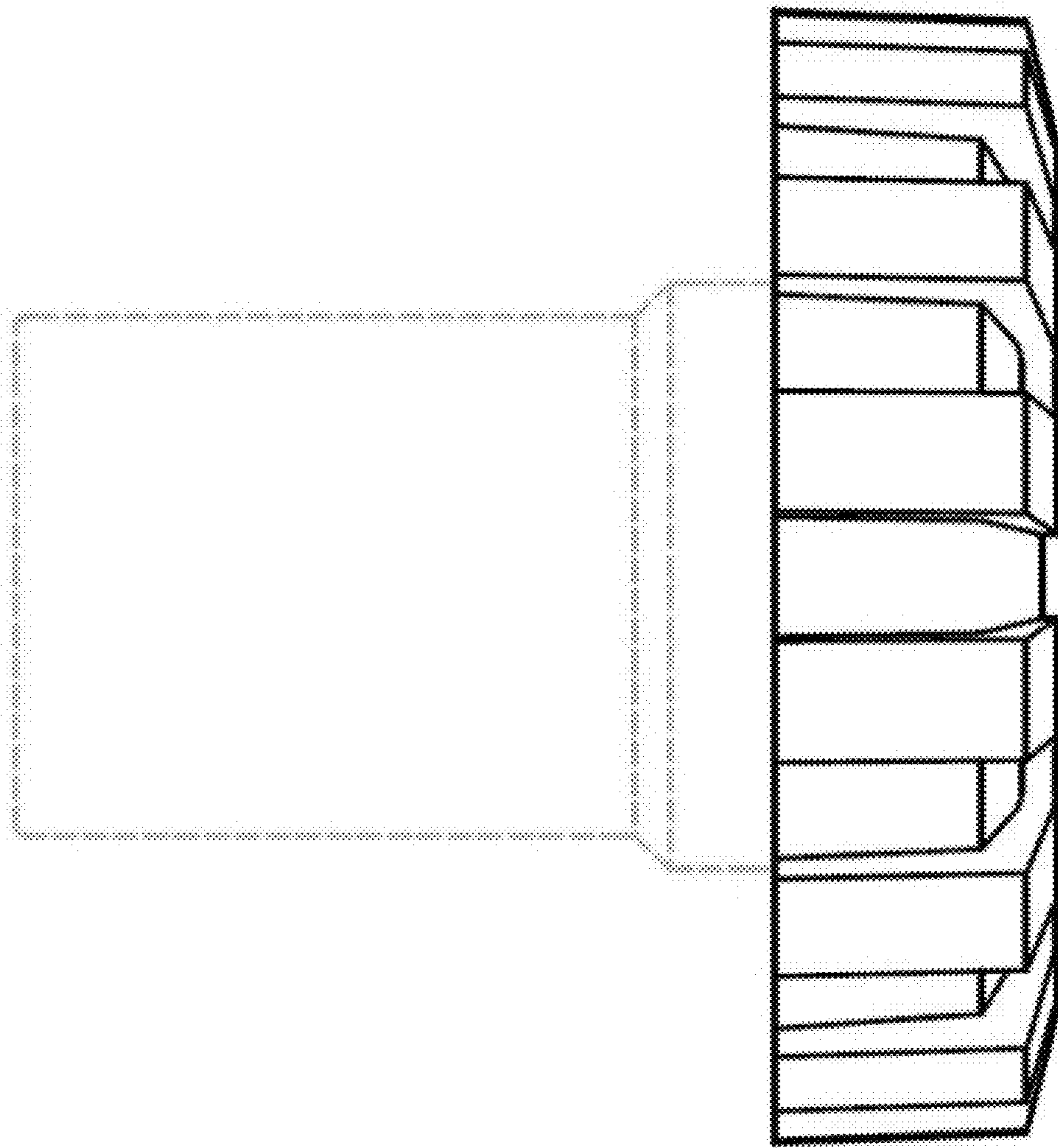
1.3



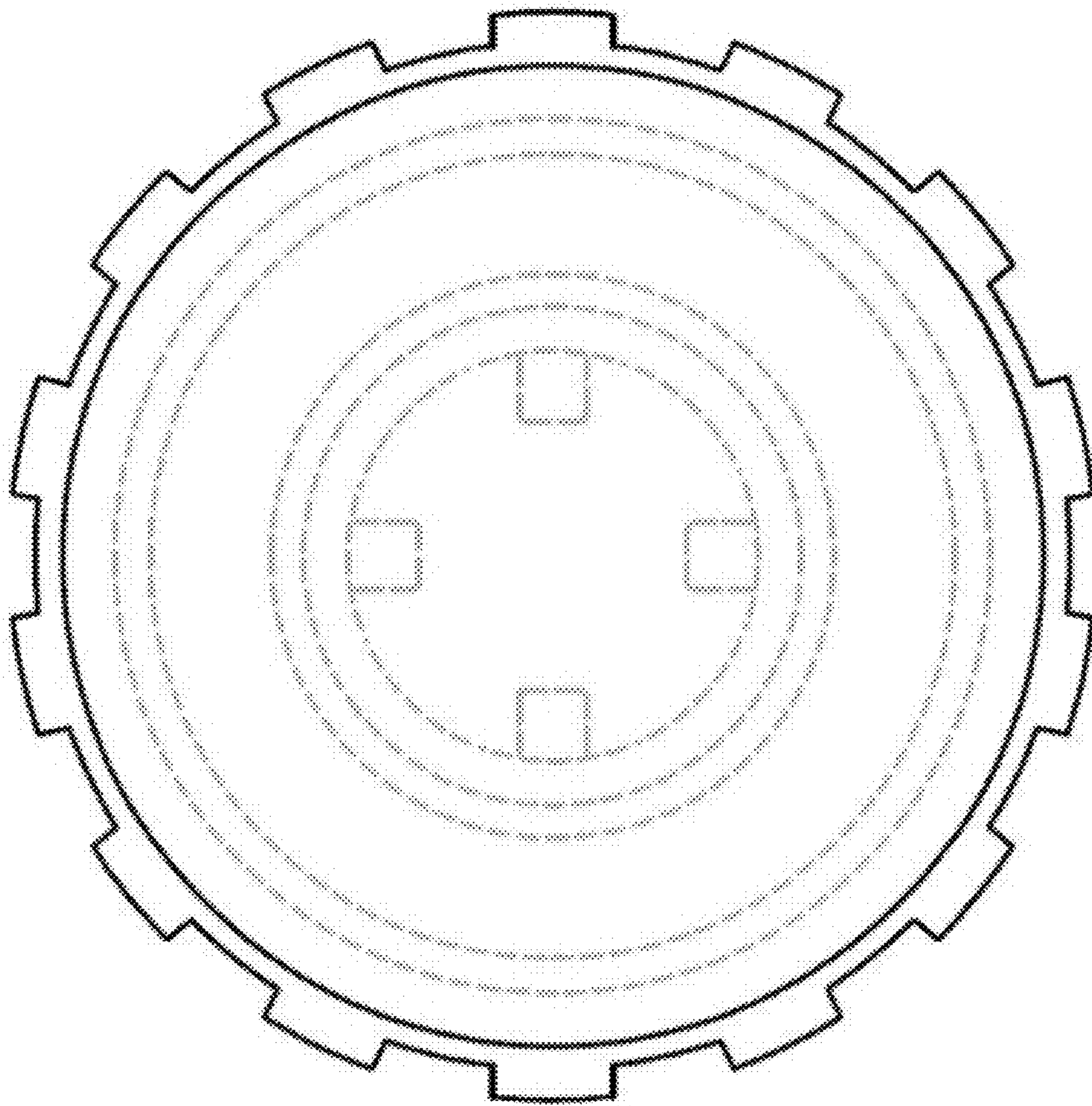
1.4



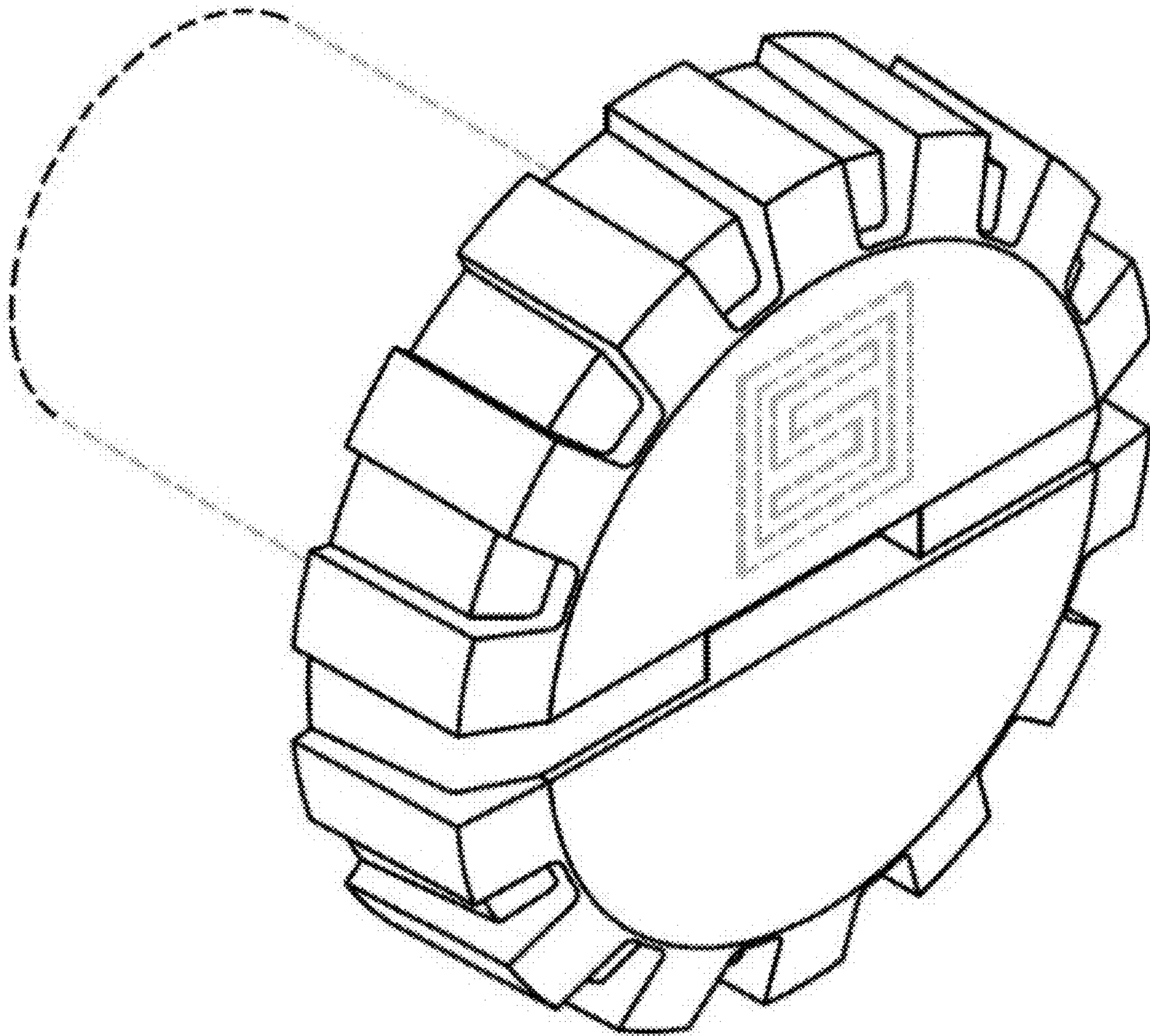
1.5



1.6



1.7



1.8

