



US00D818968S

(12) **United States Design Patent**
Barth et al.

(10) **Patent No.: US D818,968 S**

(45) **Date of Patent: ** May 29, 2018**

(54) **SENSOR**

H04Q 2213/13003; H03K 17/9505; H03K
2217/960755

(71) Applicant: **TRIDONIC GMBH & CO. KG,**
Dornbirn (AT)

See application file for complete search history.

(72) Inventors: **Volker Barth,** Waldstetten (DE);
Markus Kuenzli, Glarus (CH); **Roger**
Kistler, Glarus (CH); **Harry Foerstler,**
Netstal (CH)

(56) **References Cited**

U.S. PATENT DOCUMENTS

D779,441 S * 2/2017 Steinberger D13/160

* cited by examiner

Primary Examiner — Antoine Duval Davis

(74) *Attorney, Agent, or Firm* — Scully Scott Murphy and
Presser; Frank DiGiglio

(73) Assignee: **TRIDONIC GMBH & CO. KG,**
Dornbirn (AT)

(**) Term: **15 Years**

(57) **CLAIM**

The ornamental design for a sensor, as shown and described.

(21) Appl. No.: **29/587,583**

(22) Filed: **Dec. 14, 2016**

DESCRIPTION

(30) **Foreign Application Priority Data**

Jun. 16, 2016 (EP) 003 225 838

(51) **LOC (11) Cl.** **13-03**

(52) **U.S. Cl.**
USPC **D13/158**

(58) **Field of Classification Search**

USPC D13/158-166

CPC H04Q 2201/10; H04Q 2213/003; H04Q
1/02; H04Q 1/025; H04Q 2011/0007;

FIG. 1 illustrates a perspective view of the sensor, showing
our new and ornamental design;

FIG. 2 illustrates an alternate perspective view thereof;

FIG. 3 illustrates a front view thereof;

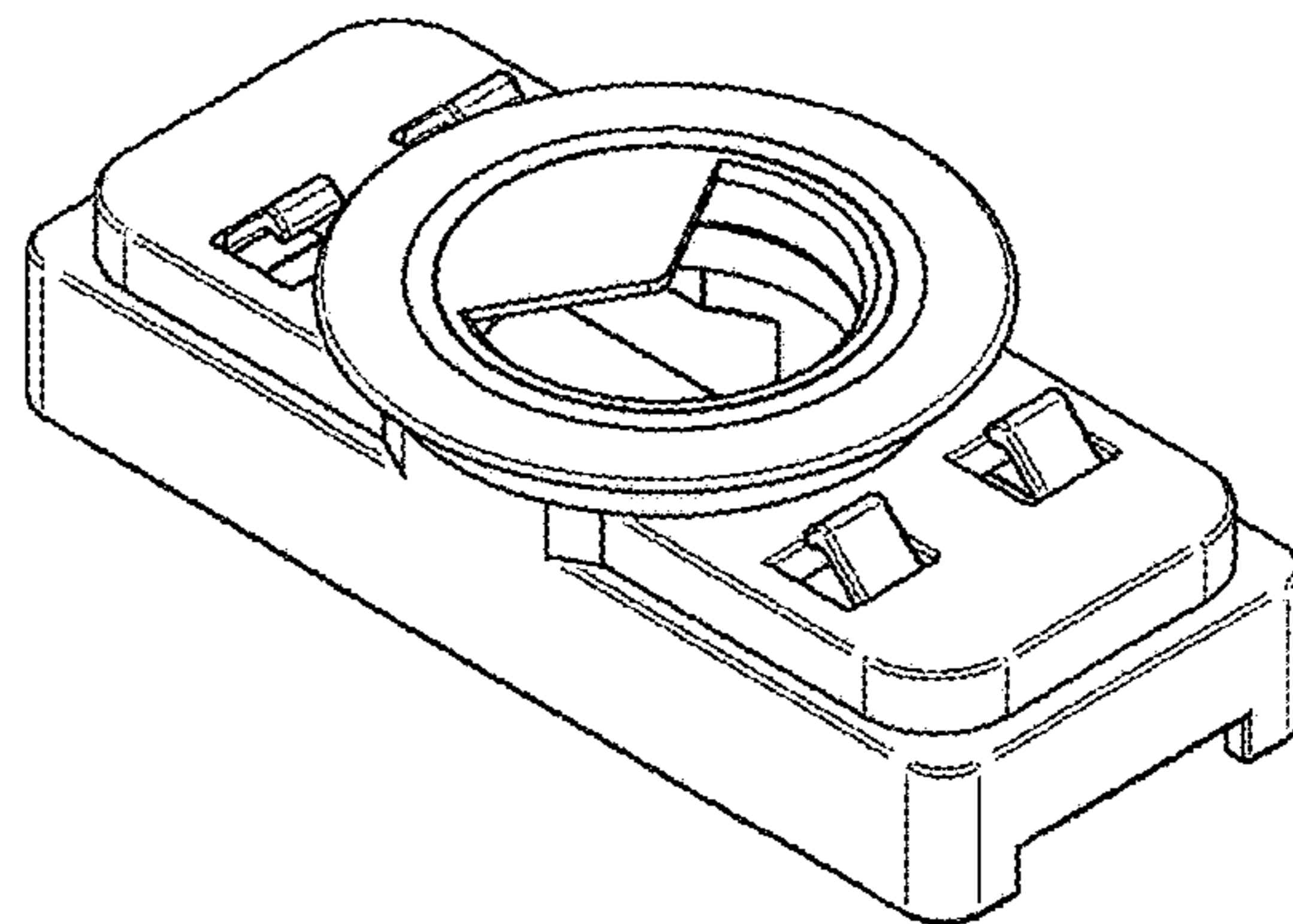
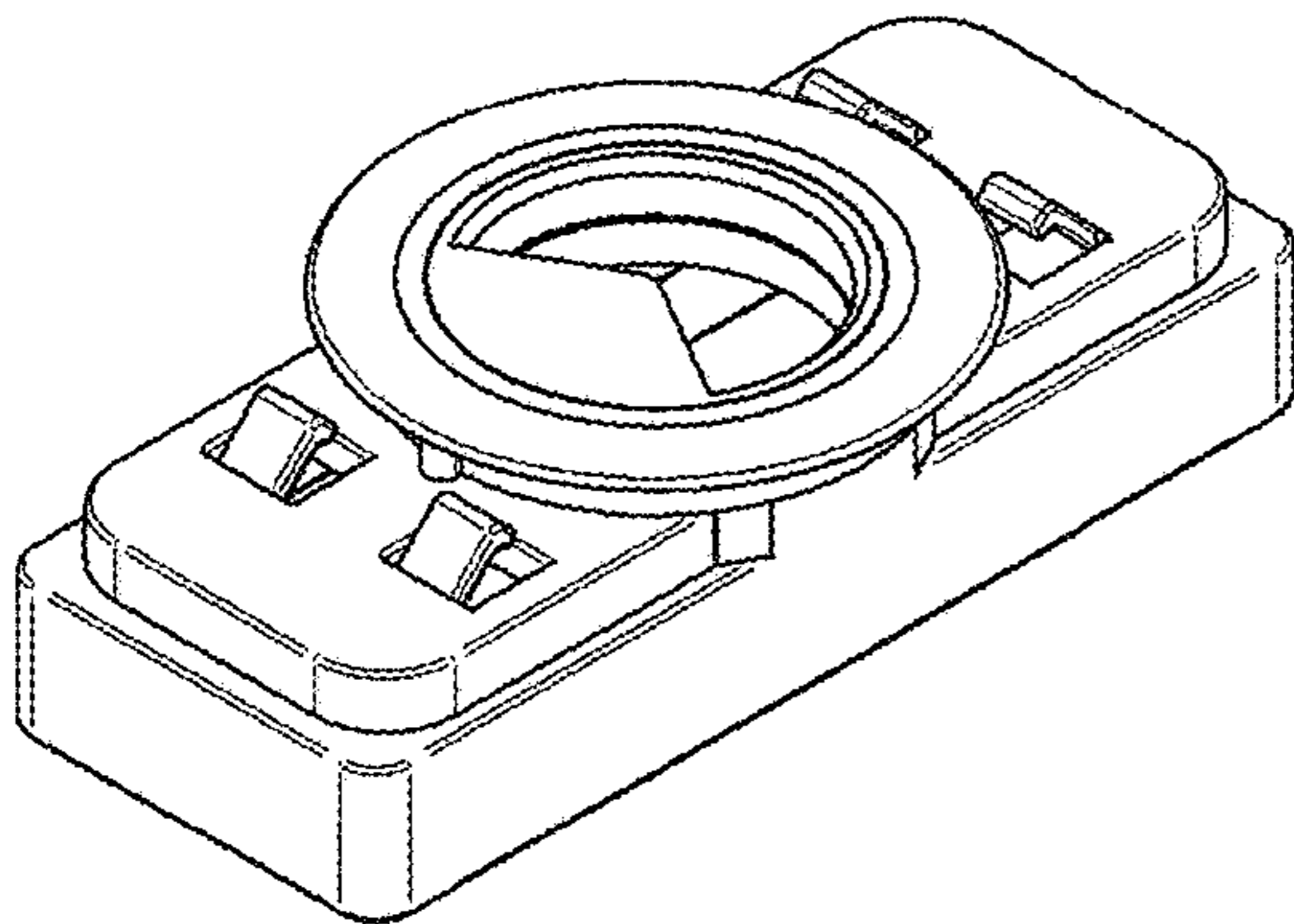
FIG. 4 illustrates a top view thereof;

FIG. 5 illustrates a back view thereof;

FIG. 6 illustrates a bottom view thereof; and,

FIG. 7 illustrates a side view thereof.

1 Claim, 7 Drawing Sheets



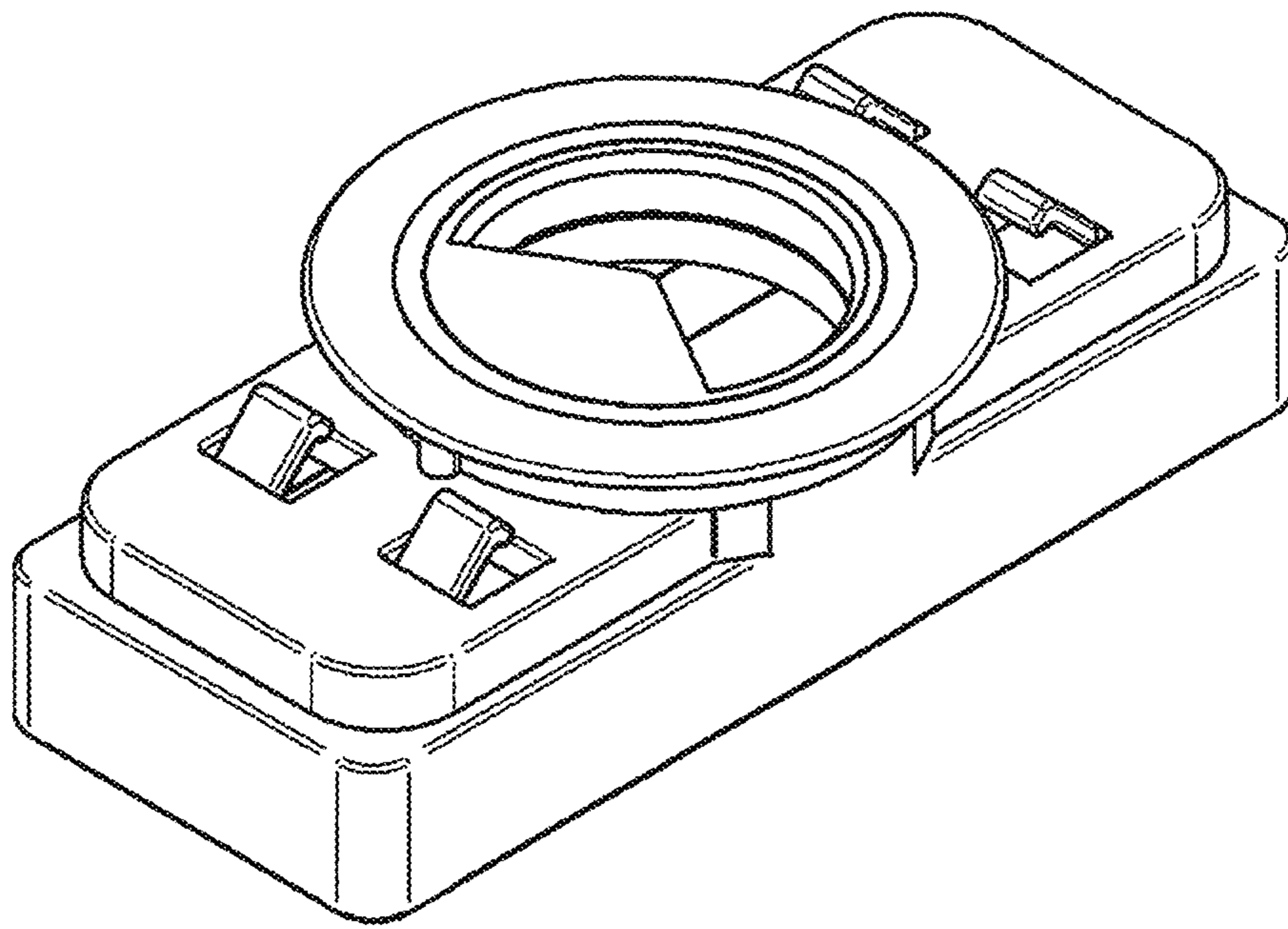


FIG. 1

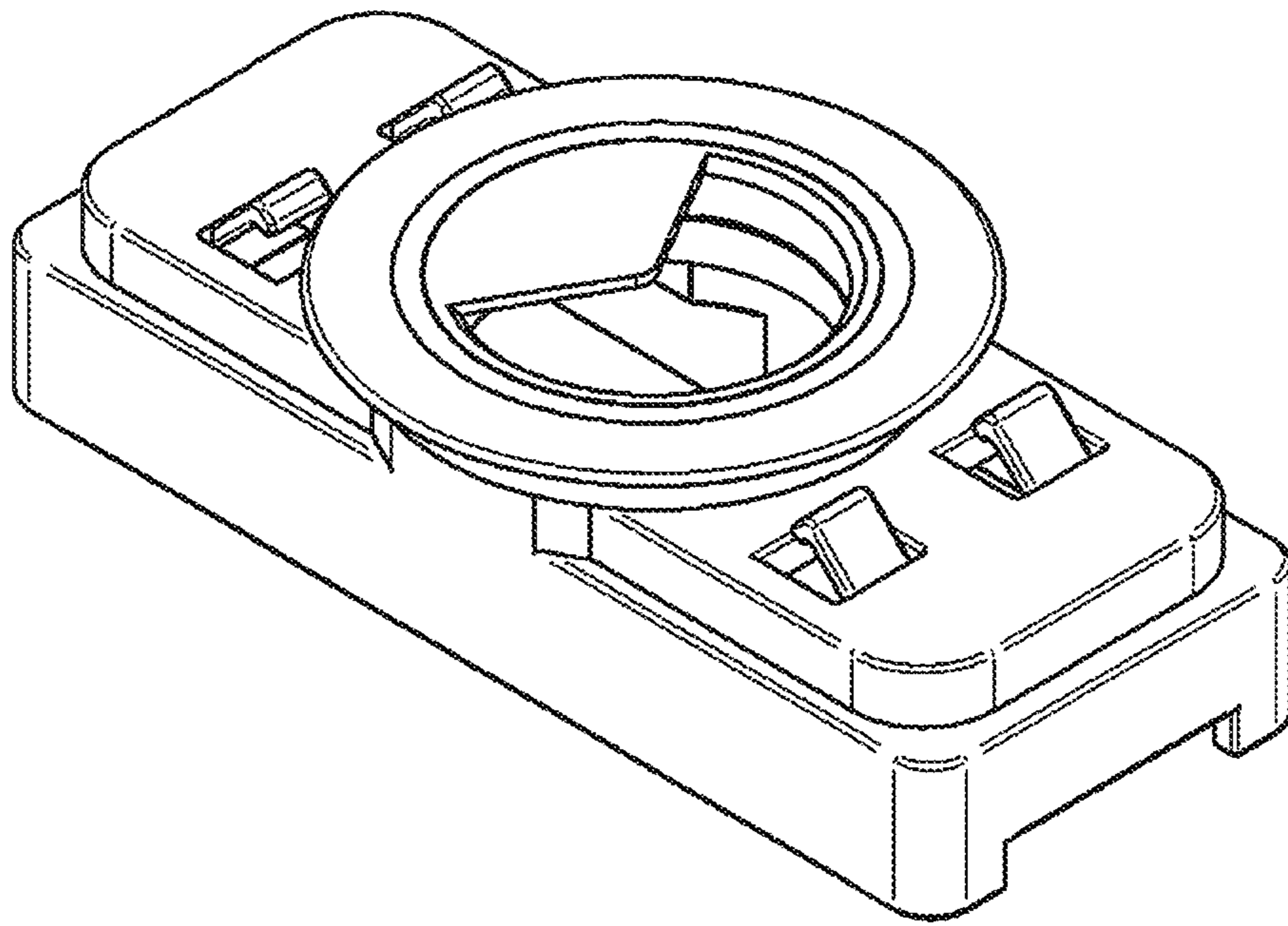


FIG. 2

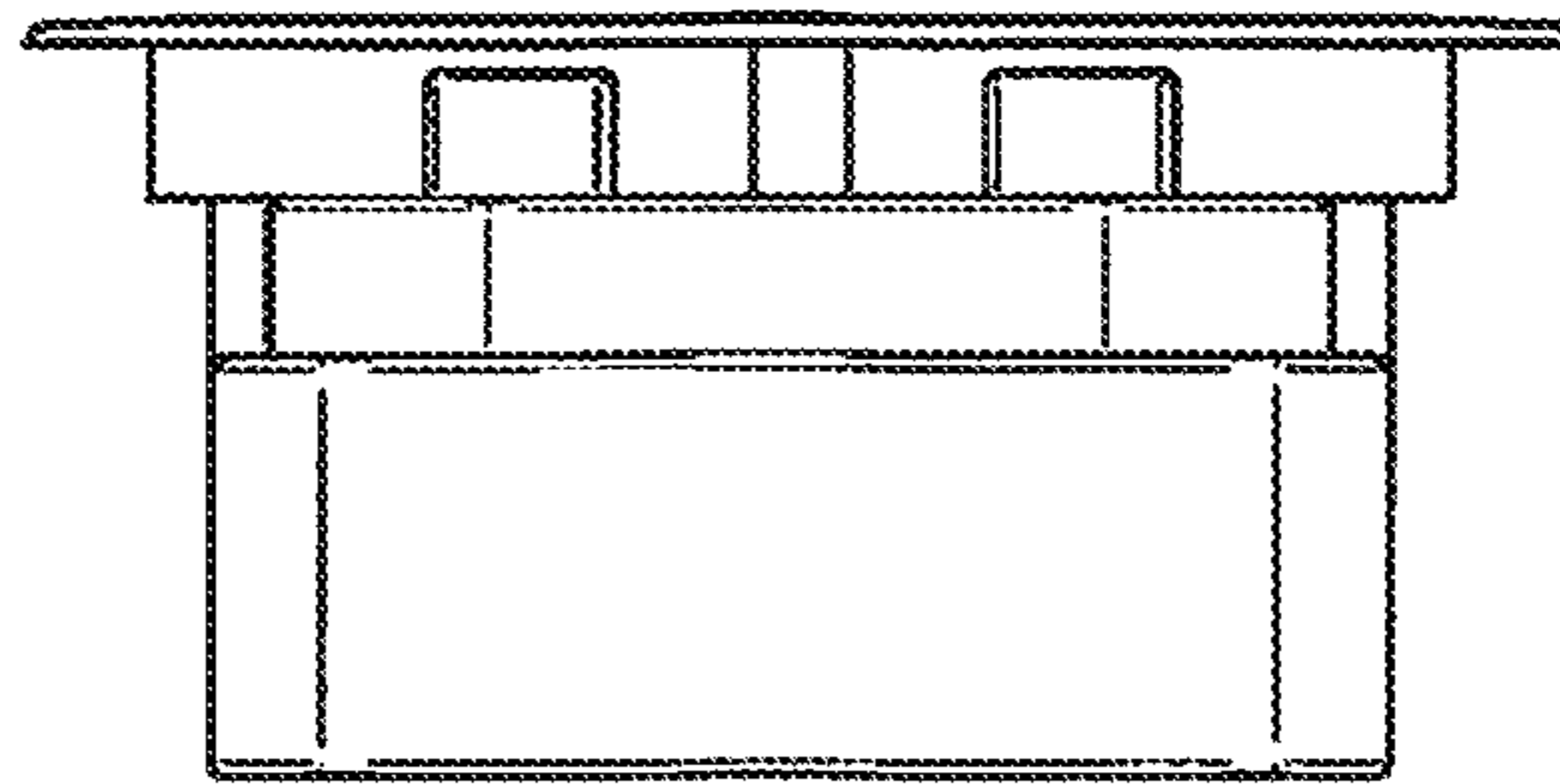


FIG. 3

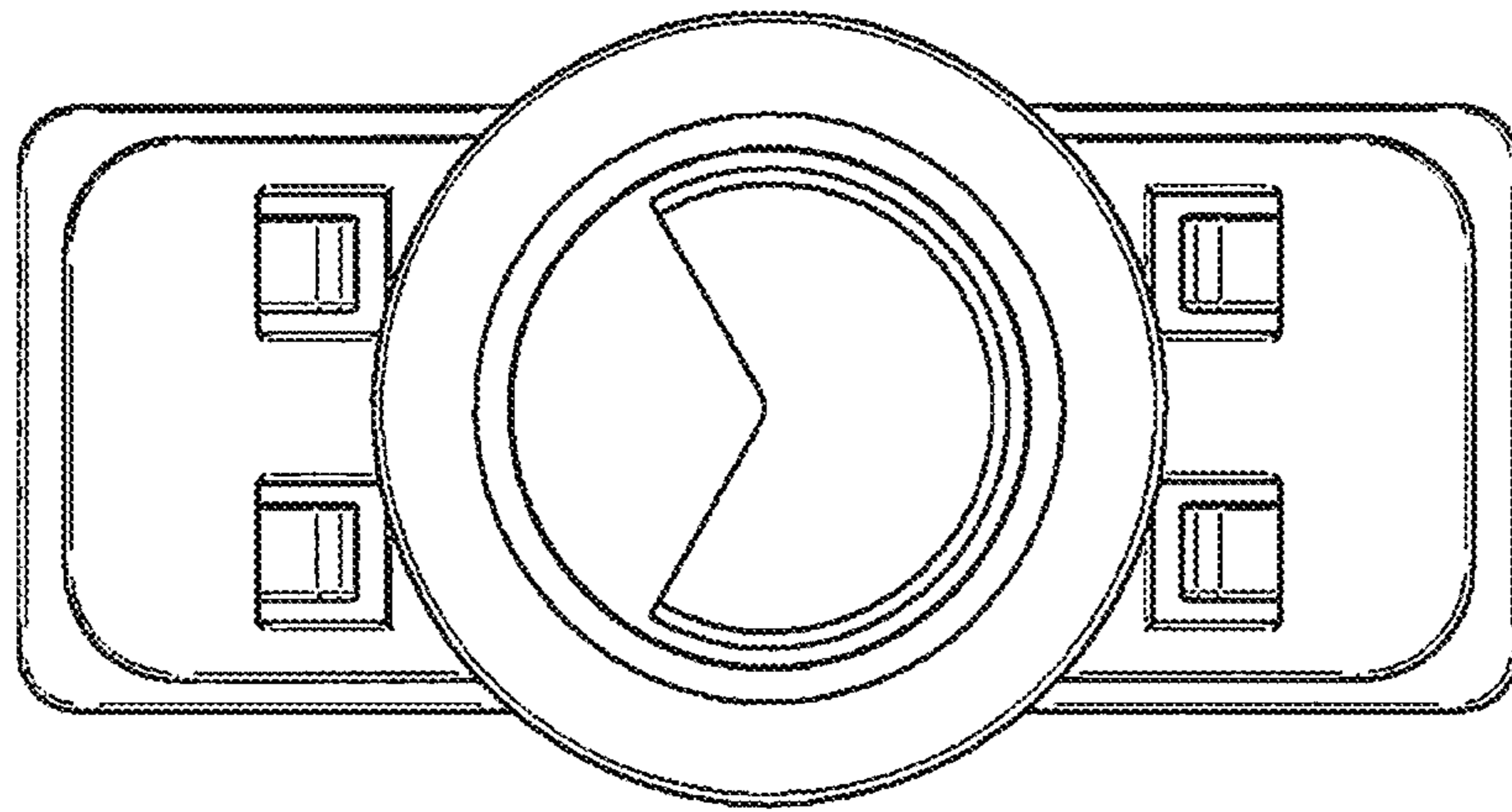


FIG. 4

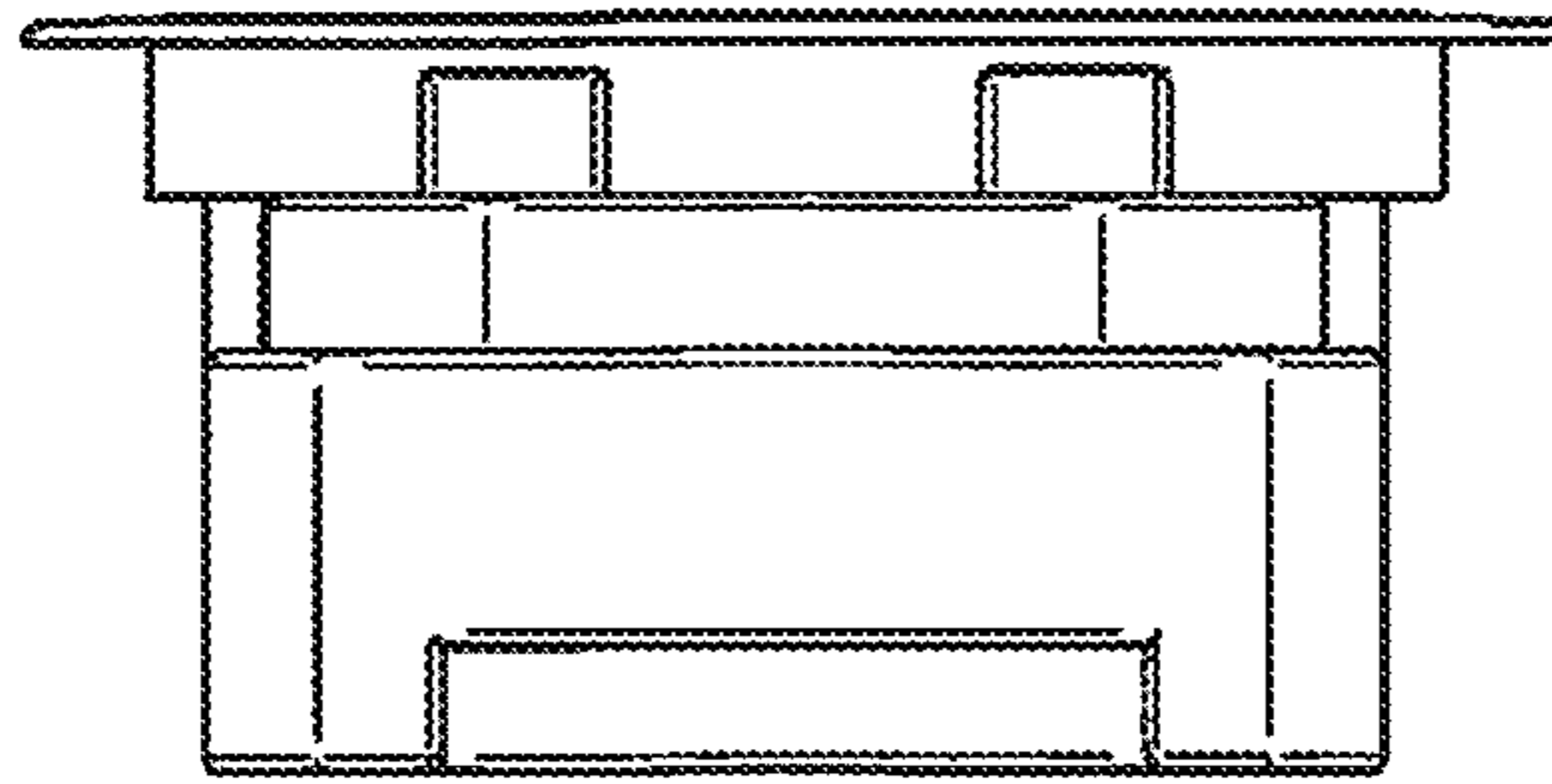


FIG. 5

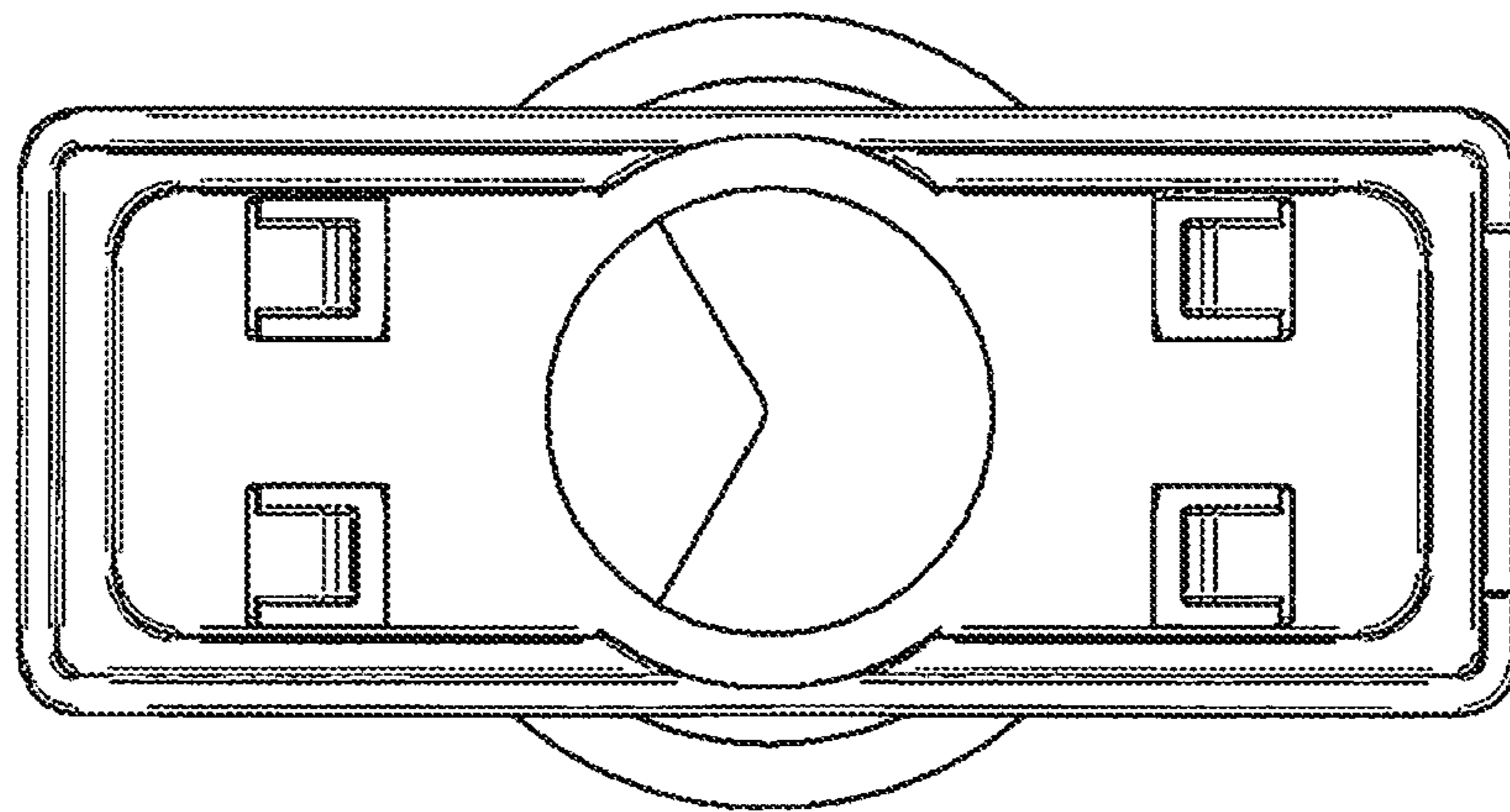


FIG. 6

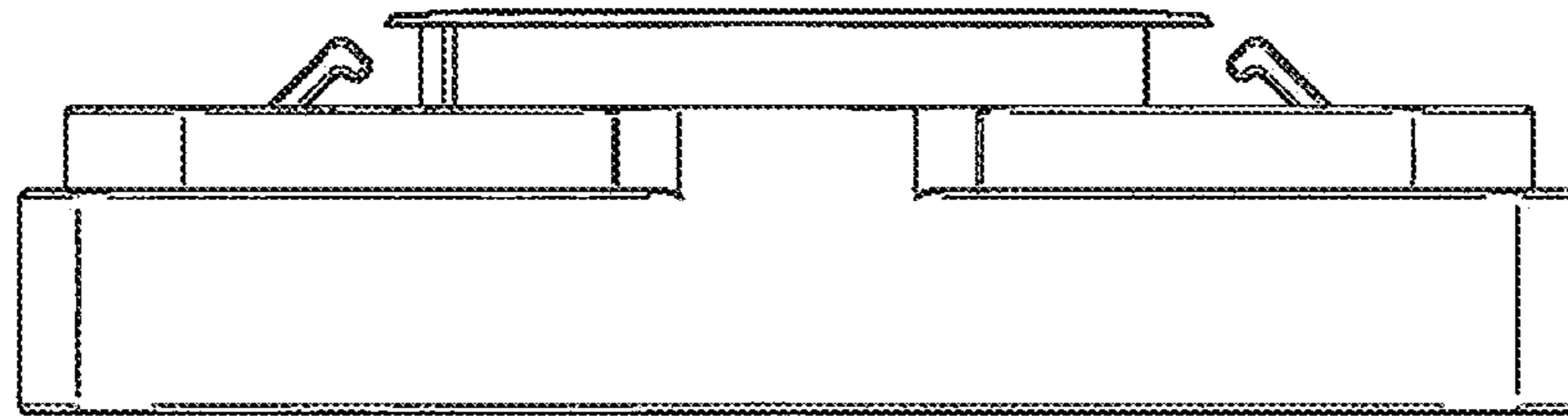


FIG. 7