



US00D818967S

(12) **United States Design Patent**
Rippe et al.

(10) **Patent No.:** **US D818,967 S**

(45) **Date of Patent:** **** May 29, 2018**

- (54) **ELECTRIC WIRE BOOT**
- (71) Applicants: **David J. Rippe**, Huntington Beach, CA (US); **Michelle Tiscareno-Rippe**, Huntington Beach, CA (US)
- (72) Inventors: **David J. Rippe**, Huntington Beach, CA (US); **Michelle Tiscareno-Rippe**, Huntington Beach, CA (US)

D429,218 S *	8/2000	Lee	D13/147
D575,231 S *	8/2008	Ho	D13/133
D601,503 S *	10/2009	Gribble	D13/146
D612,336 S *	3/2010	Bodwell	D13/154
D618,616 S *	6/2010	Kesler	D13/133
D658,130 S *	4/2012	Bodwell	D13/154
D658,586 S *	5/2012	Lin	D13/146
8,241,043 B1 *	8/2012	Lin	H01R 13/64 439/39
D691,562 S *	10/2013	Suzuki	D13/146
D803,157 S *	11/2017	Mugan	D13/133
D806,523 S *	1/2018	Kencevski	D8/356
2005/0095908 A1 *	5/2005	Xue	H01R 13/7035 439/541.5

(**) Term: **15 Years**

(21) Appl. No.: **29/578,084**

(22) Filed: **Sep. 19, 2016**

(51) **LOC (11) Cl.** **13-03**

(52) **U.S. Cl.**
USPC **D13/156**

(58) **Field of Classification Search**
USPC D13/155, 123, 133, 146, 151, 153, 154,
D13/156, 184, 199; D8/349, 354, 380;
D23/259, 262
CPC . H01R 24/58; H01R 4/10; H01R 4/18; H01R
4/38; H01R 4/40; H01R 4/56; H01R
4/60; H01R 4/64
See application file for complete search history.

(56) **References Cited**

U.S. PATENT DOCUMENTS

D49,673 S *	9/1916	Pleister	D8/383
D261,503 S *	10/1981	Shu	D13/151
4,659,166 A *	4/1987	Morningstar	H01R 24/40 439/580
D302,421 S *	7/1989	Ichitsubo	D13/133

* cited by examiner

Primary Examiner — Derrick Holland

Assistant Examiner — Jennifer O King

(74) *Attorney, Agent, or Firm* — Eric Karich; Karich & Associates

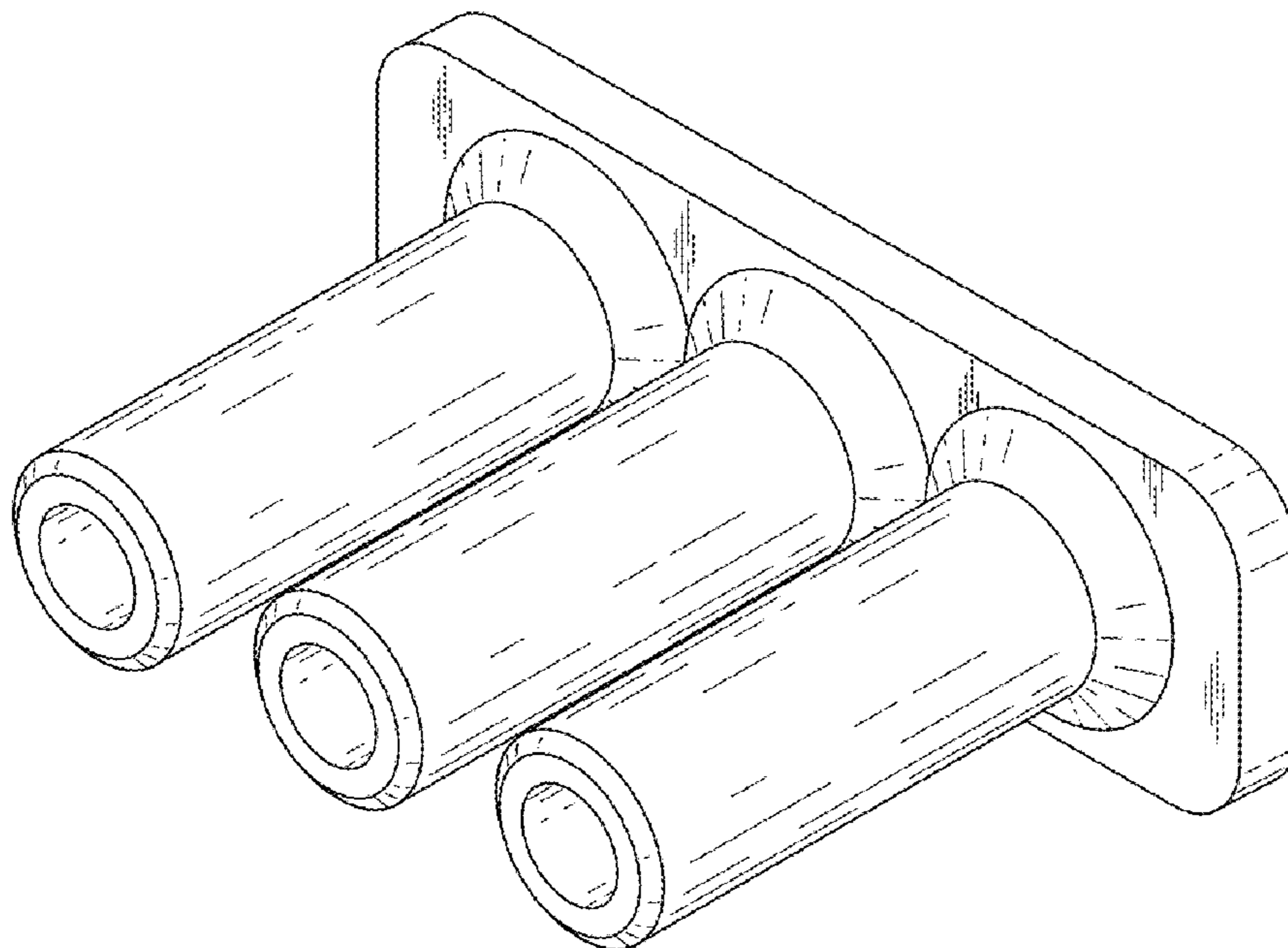
(57) **CLAIM**

The ornamental design for an electric wire boot, as shown and described.

DESCRIPTION

FIG. 1 is a perspective view of a electric wire boot, showing my new design;
FIG. 2 is a front elevational view thereof;
FIG. 3 is a rear elevational view thereof;
FIG. 4 is a left side elevational view thereof
FIG. 5 is a right side elevational view thereof;
FIG. 6 is a top plan view thereof; and,
FIG. 7 is a bottom plan view thereof.

1 Claim, 2 Drawing Sheets



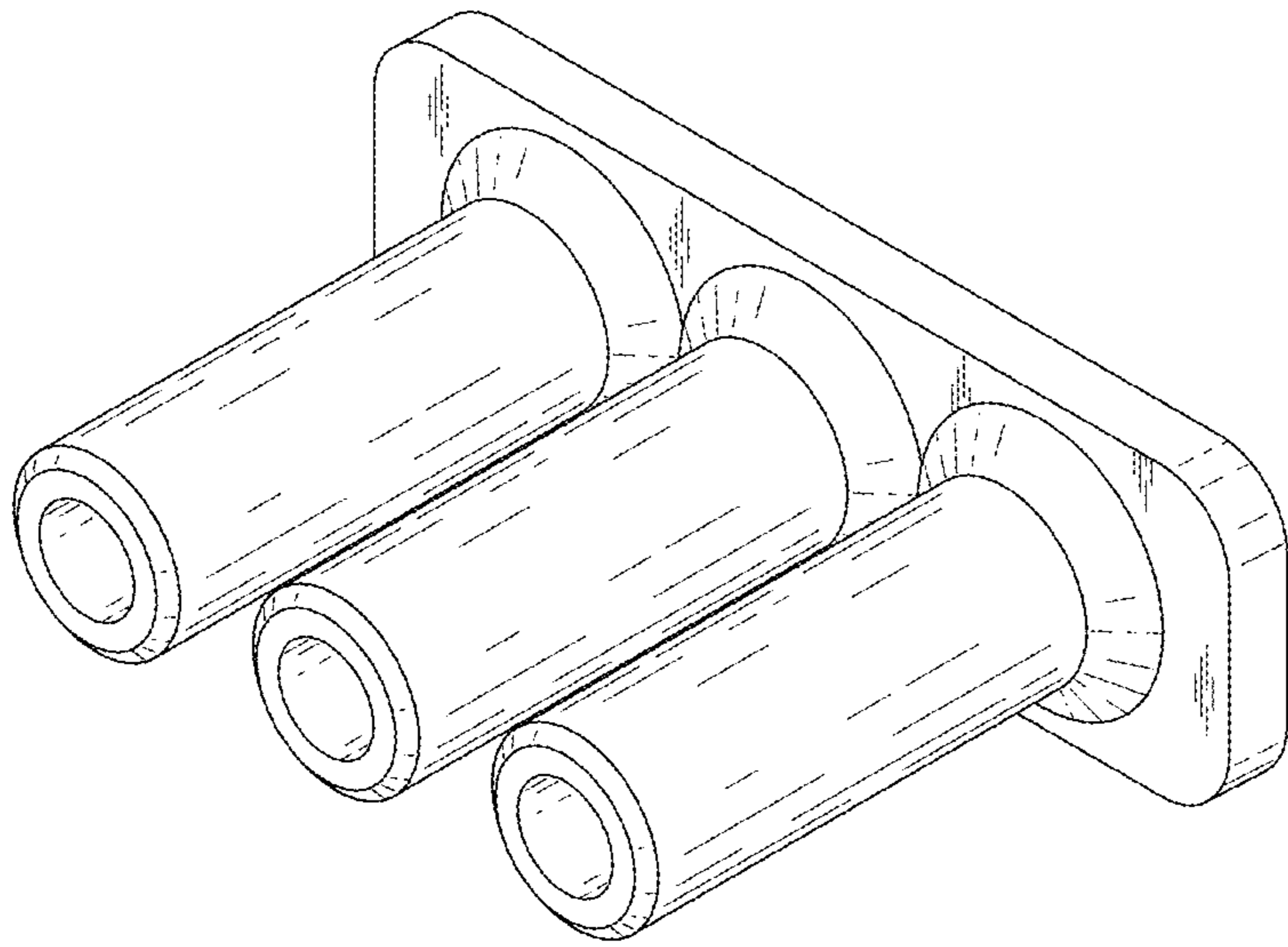


Fig. 1

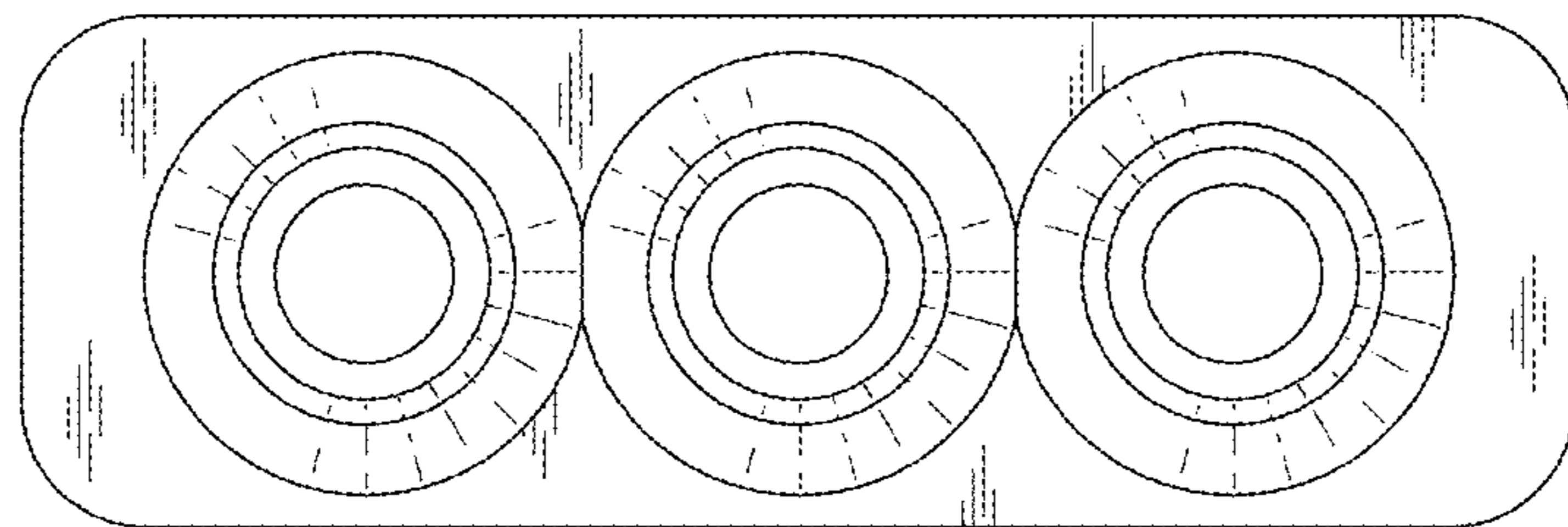


Fig. 2

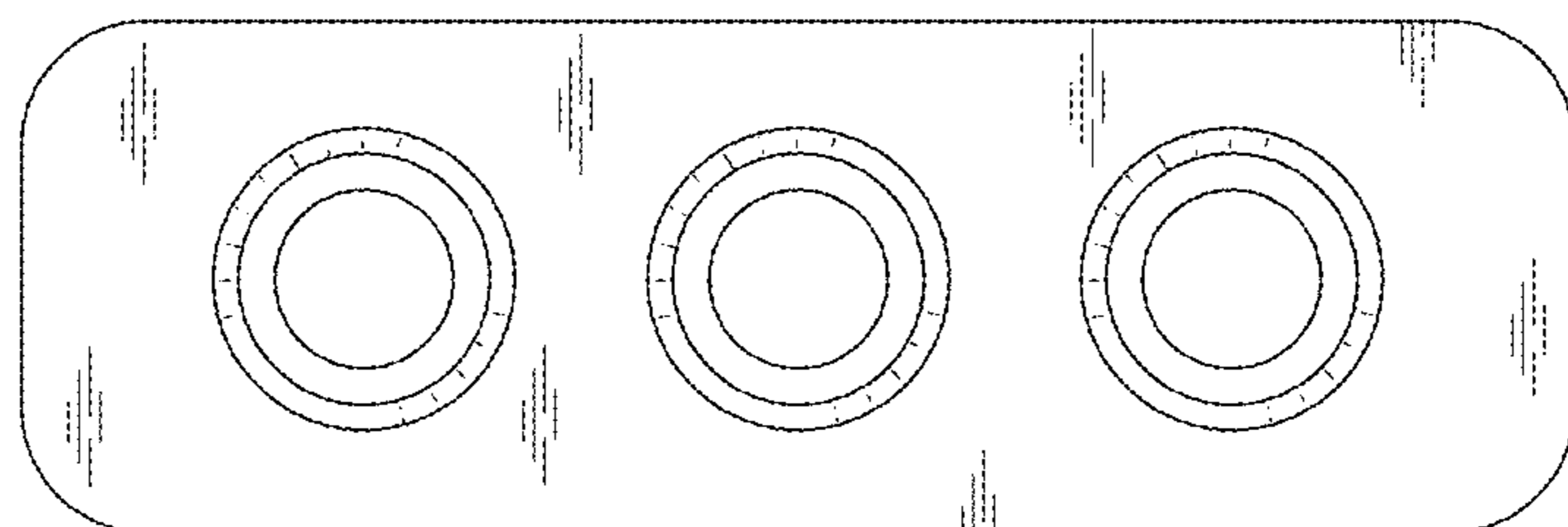


Fig. 3

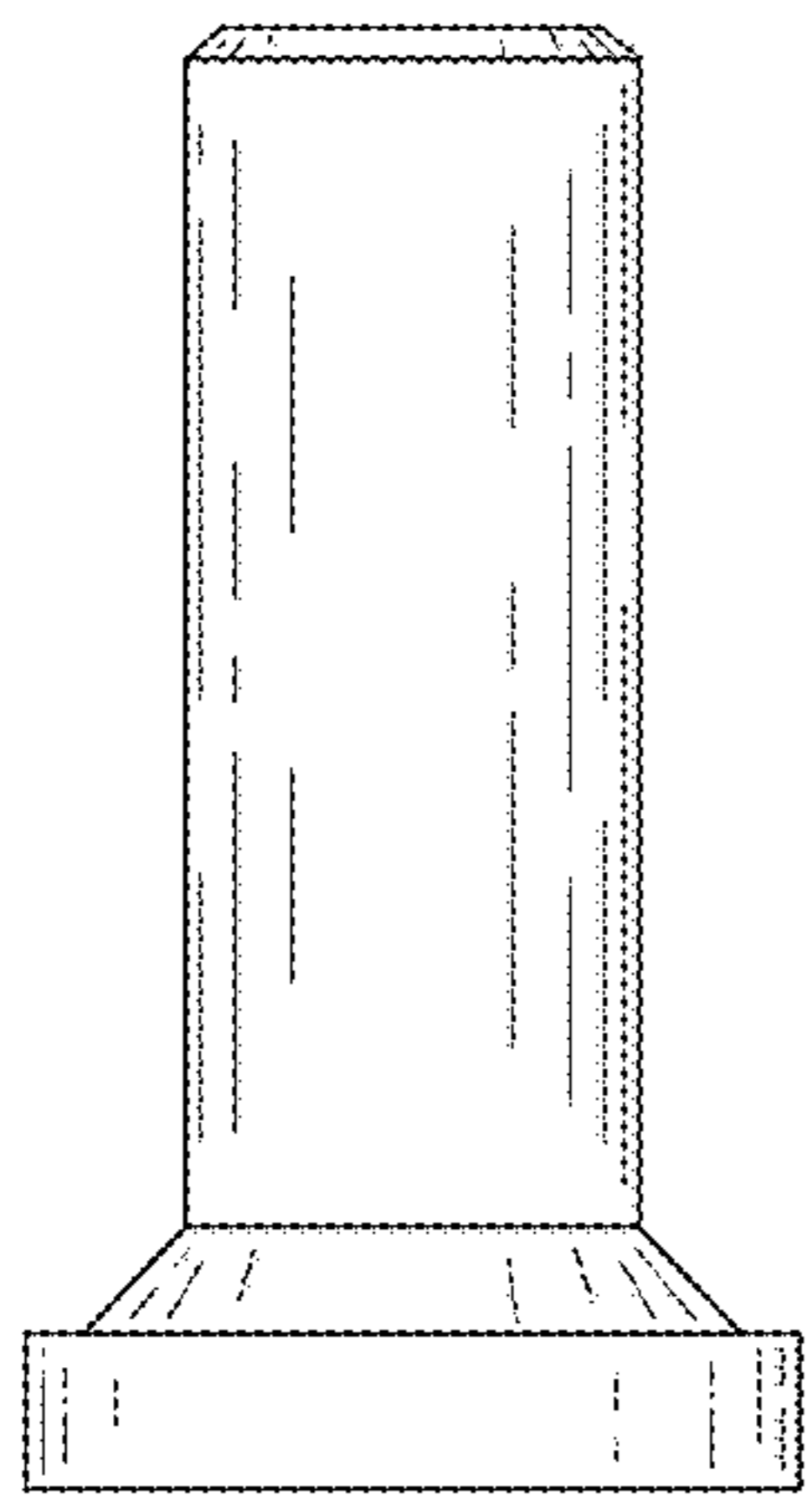


Fig. 4

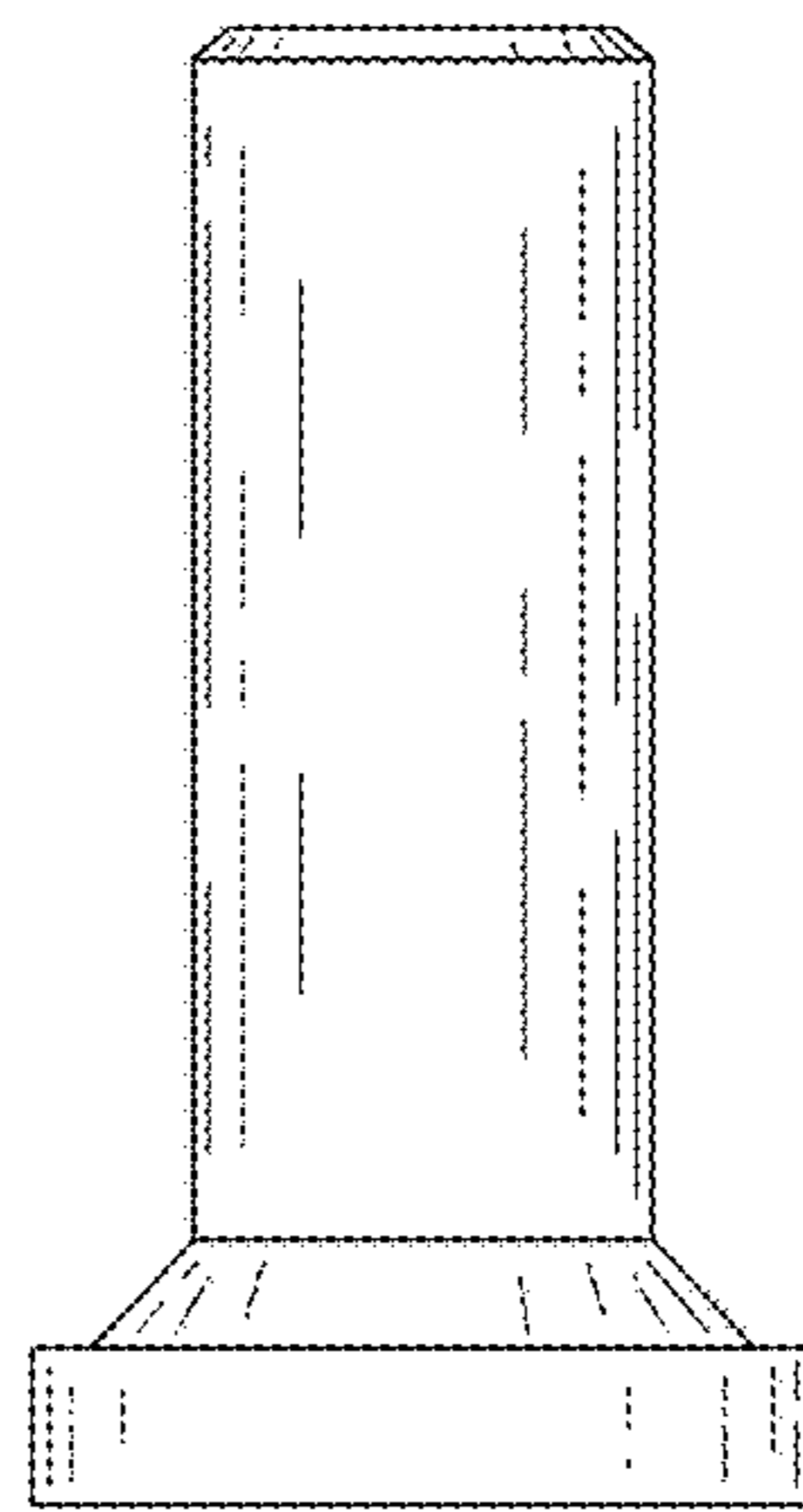


Fig. 5

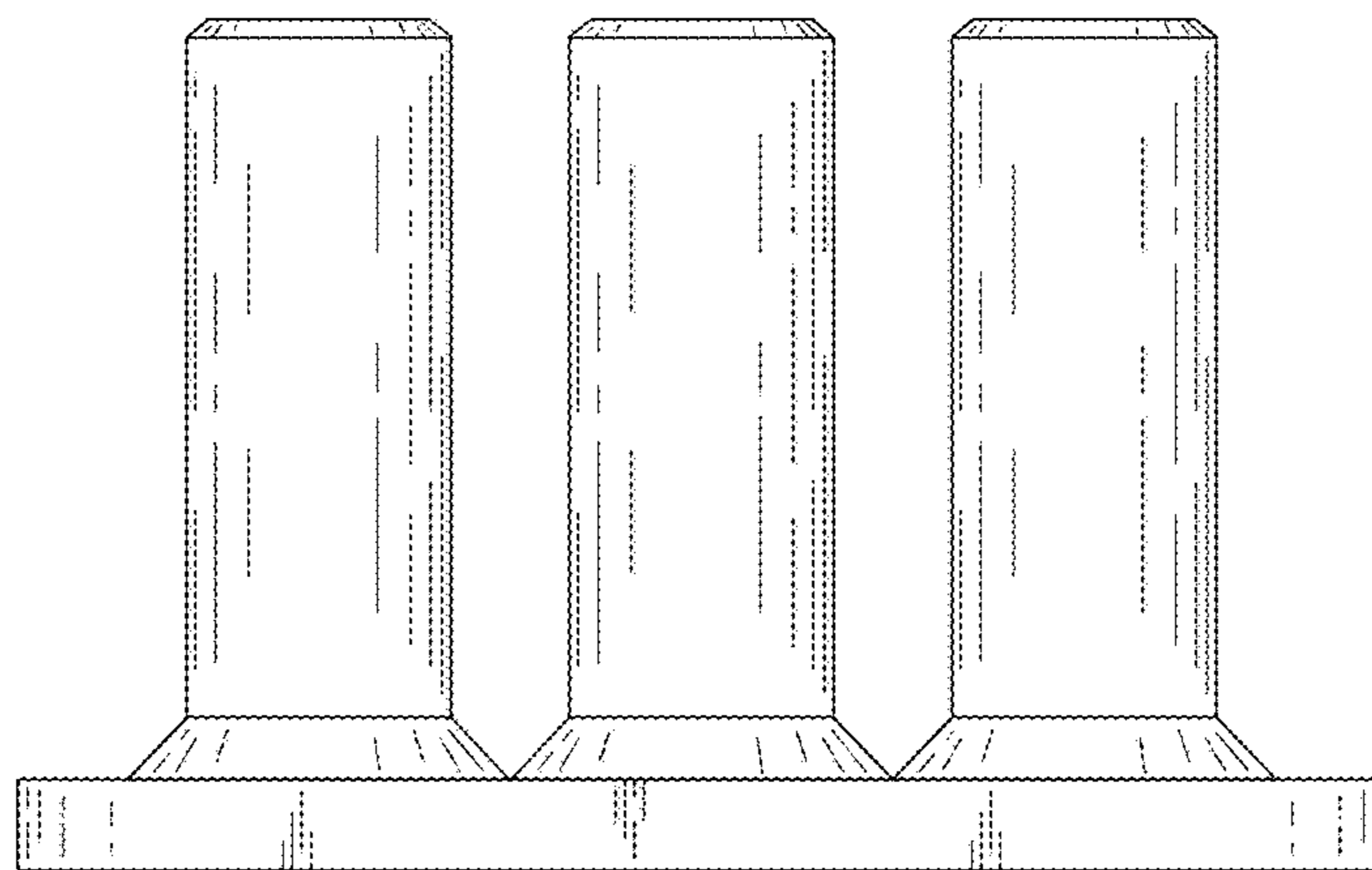


Fig. 6

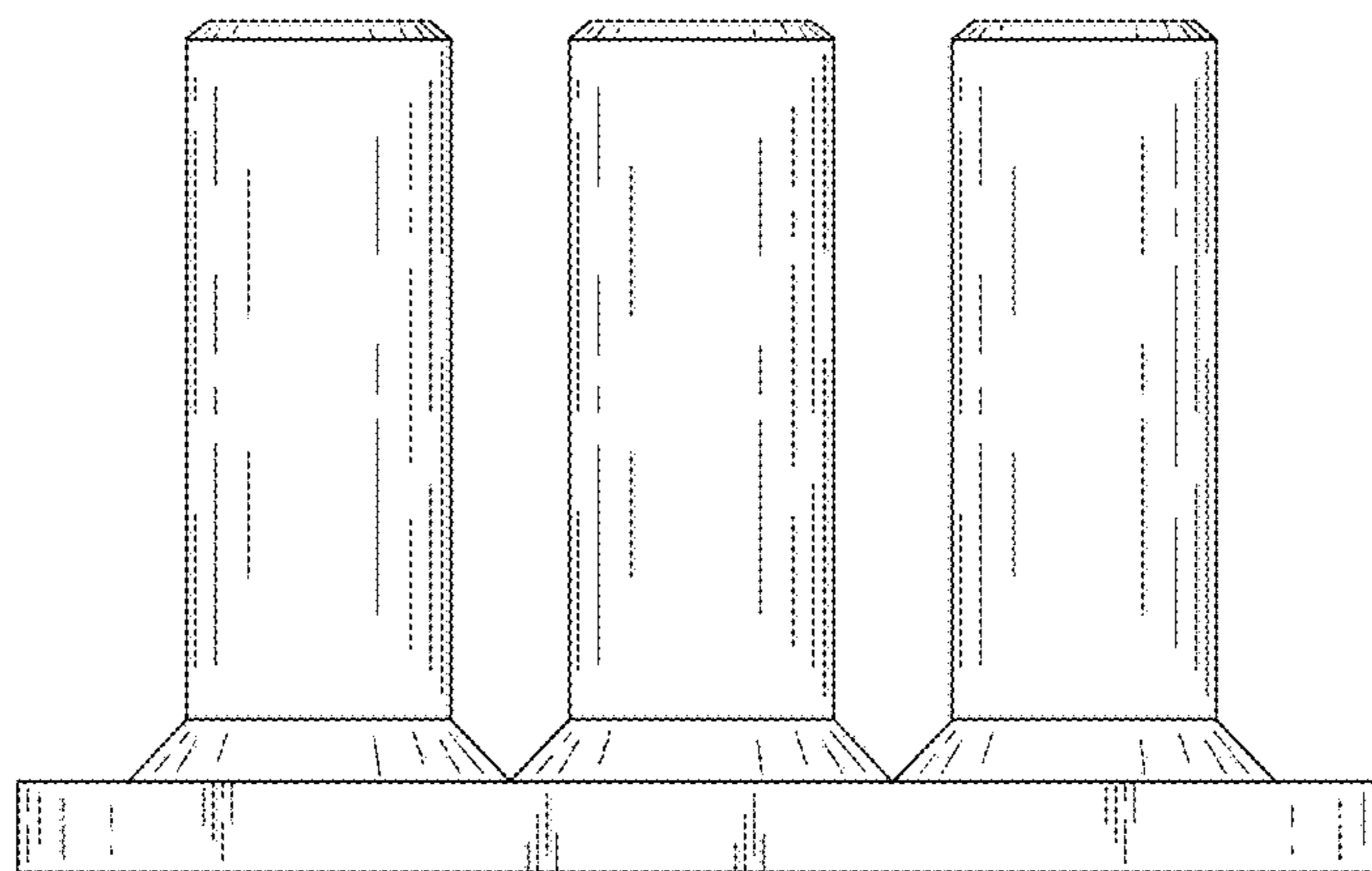


Fig. 7