



US00D818966S

(12) **United States Design Patent**  
**Paterson et al.**

(10) **Patent No.:** **US D818,966 S**  
(45) **Date of Patent:** **\*\* May 29, 2018**

- (54) **CONTROLLER CABLE**
- (71) Applicant: **GoPro, Inc.**, San Mateo, CA (US)
- (72) Inventors: **Michael Paterson**, San Francisco, CA (US); **Huy Phuong Nguyen**, San Mateo, CA (US); **Ryan Harrison**, Walpole, NH (US)
- (73) Assignee: **GoPro, Inc.**, San Mateo, CA (US)
- (\*\*) Term: **15 Years**
- (21) Appl. No.: **29/577,981**
- (22) Filed: **Sep. 16, 2016**
- (51) **LOC (11) Cl.** ..... **13-03**
- (52) **U.S. Cl.**  
USPC ..... **D13/153**
- (58) **Field of Classification Search**  
USPC ..... D13/103, 107, 110, 133, 146, 147, 151, D13/153, 154, 155, 144, 137.2, 138.1, D13/108, 184; D14/433, 435.1, 155; D8/356; D23/262  
CPC .... H01R 13/5845; H01R 13/72; H01R 31/06; H01R 24/00; H01R 24/28; H01R 12/00; H01R 13/70; H01R 13/71; H01R 13/66; H01R 2201/26; H01B 11/1808; H01B 11/1839; H01B 11/1008; H01B 7/04; H01B 7/0266; H01B 7/08; H01B 7/065; H01B 12/08; H02J 7/0054; H02J 7/0055; H02J 7/0057; H05K 11/02  
See application file for complete search history.

- D595,654 S \* 7/2009 Andre ..... D13/133
  - D607,404 S \* 1/2010 Orion ..... D13/110
  - D624,500 S \* 9/2010 Chan ..... D13/144
- (Continued)

**OTHER PUBLICATIONS**

Amazon.com: GoPro Karma Grip Extension Cable. Published Mar. 29, 2017. Retrieved from the internet at <<https://www.amazon.com/GoPro-Karma-Grip-Extension-Cable/dp/B06XH8LC7Z/>>, May 18, 2017. 1 page.\*

(Continued)

*Primary Examiner* — Rosemary K Tarcza  
*Assistant Examiner* — Christy Nemeth  
(74) *Attorney, Agent, or Firm* — Young Basile Hanlon & MacFarlane, P.C.

(57) **CLAIM**

The ornamental design for a controller cable, as shown and described.

**DESCRIPTION**

FIG. 1 is a front, top, and left side perspective view of a first embodiment of a controller cable;  
FIG. 2 is a front, bottom, and right side perspective view thereof;  
FIG. 3 is a rear, top, and right side perspective view thereof;  
FIG. 4 is a rear, bottom, and left side perspective view thereof;  
FIG. 5 is a top plan view thereof;  
FIG. 6 is a bottom plan view thereof;  
FIG. 7 is a front elevational view thereof;  
FIG. 8 is a rear elevational view thereof;  
FIG. 9 is a left side elevational view thereof; and,  
FIG. 10 is a right side elevational view thereof.

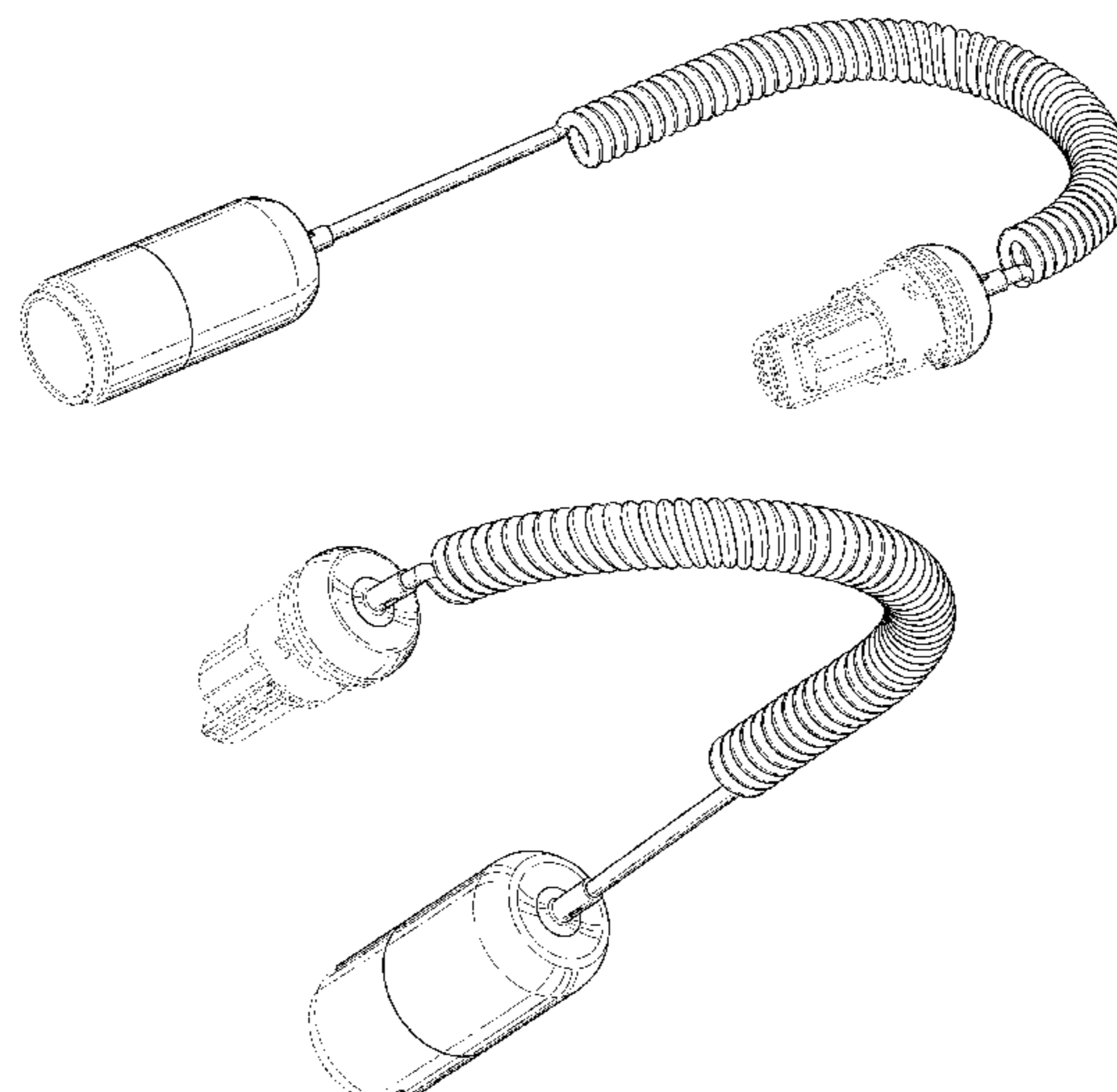
The broken lines in the drawings are included for the purpose of illustrating portions of the controller cable that form no part of the claimed design.

**1 Claim, 10 Drawing Sheets**

(56) **References Cited**

**U.S. PATENT DOCUMENTS**

- D408,787 S \* 4/1999 Seragnoli ..... D13/107
- D409,568 S \* 5/1999 Lindahl ..... D13/107
- D571,044 S \* 6/2008 Conte ..... D28/65
- D580,857 S \* 11/2008 Matthew ..... D13/110
- D585,375 S \* 1/2009 Andre ..... D13/133
- D592,633 S \* 5/2009 Hyneczek ..... D14/155



(56)

**References Cited**

U.S. PATENT DOCUMENTS

D719,916 S \* 12/2014 Cheng ..... D13/144  
D727,850 S \* 4/2015 Easterly, III ..... D13/144  
D763,194 S \* 8/2016 Liu ..... D13/144  
D767,488 S \* 9/2016 Esses ..... D13/107  
2017/0125948 A1 \* 5/2017 Chen ..... H01R 13/639

OTHER PUBLICATIONS

Amazon.com: TireTek Premium 12V Car Cigarette Lighter Socket Extension Cord. Published Jul. 12, 2016. Retrieved from the internet at <<https://www.amazon.com/TireTek-Premium-Cigarette-Lighter-Extension/dp/B018EOVB56/>>, Jan. 24, 2018. 1 page.\*

Amazon.com: External Lavalier Microphone with 20' audio cable. Published Oct. 23, 2014. Retrieved from the internet at <<https://www.amazon.com/External-Lavalier-Microphone-Accessory-Digital/dp/B000TXNGH8/>>, Jan. 24, 2018. 1 page.\*

\* cited by examiner

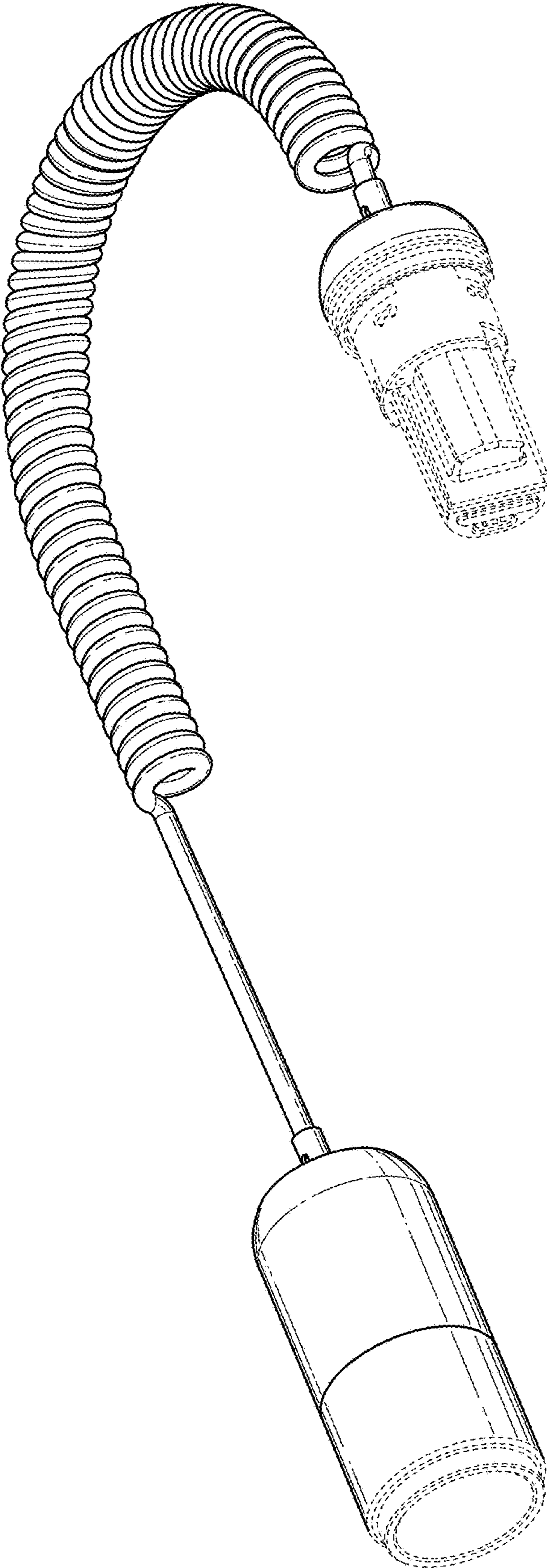


FIG. 1

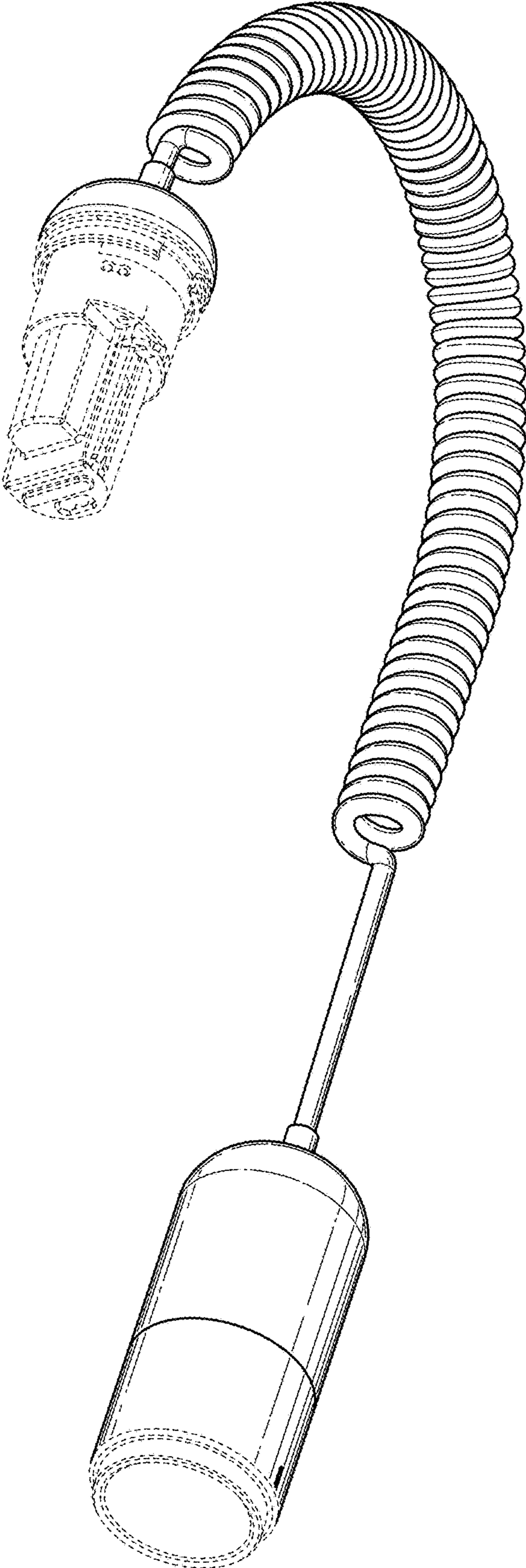


FIG. 2

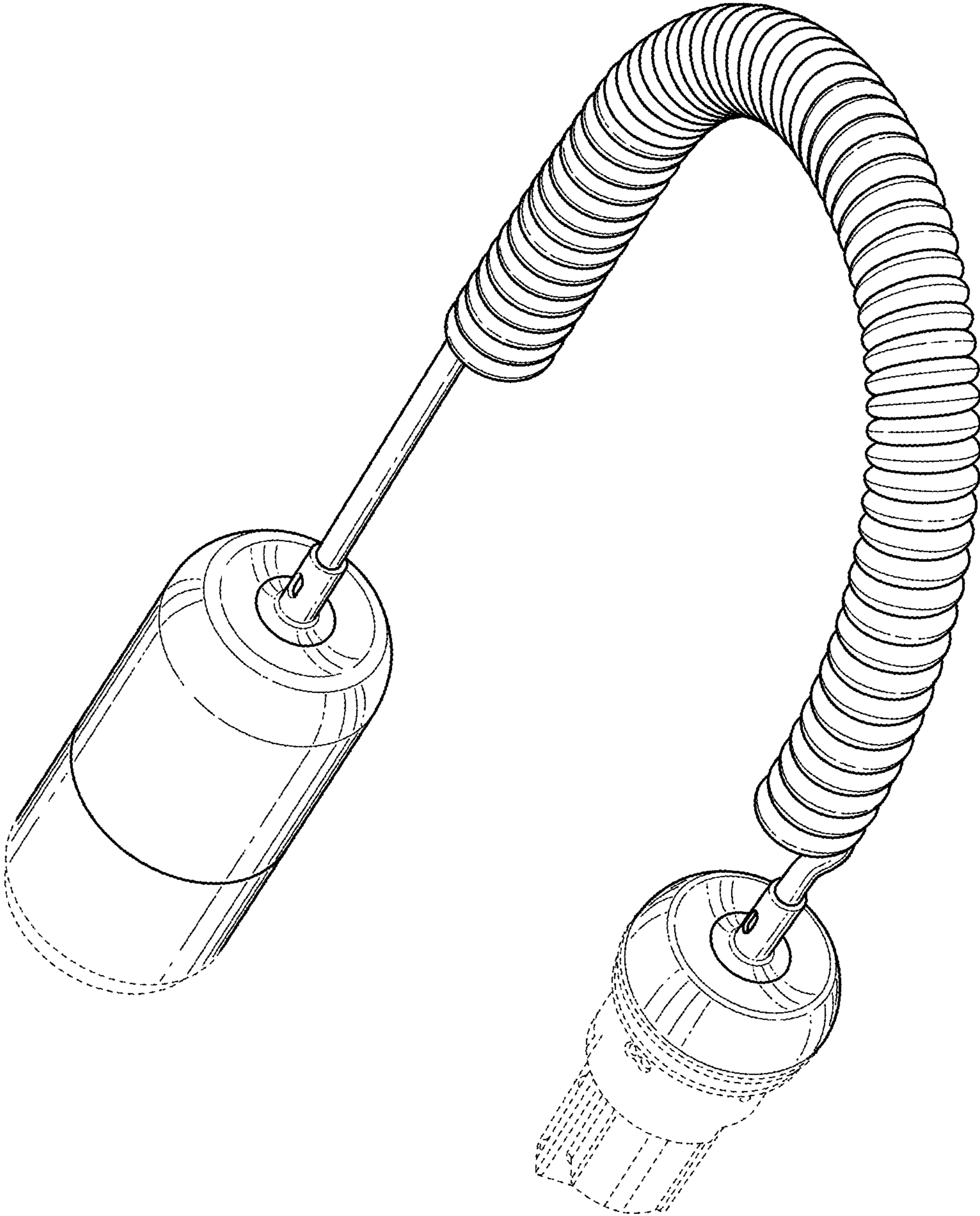


FIG. 3

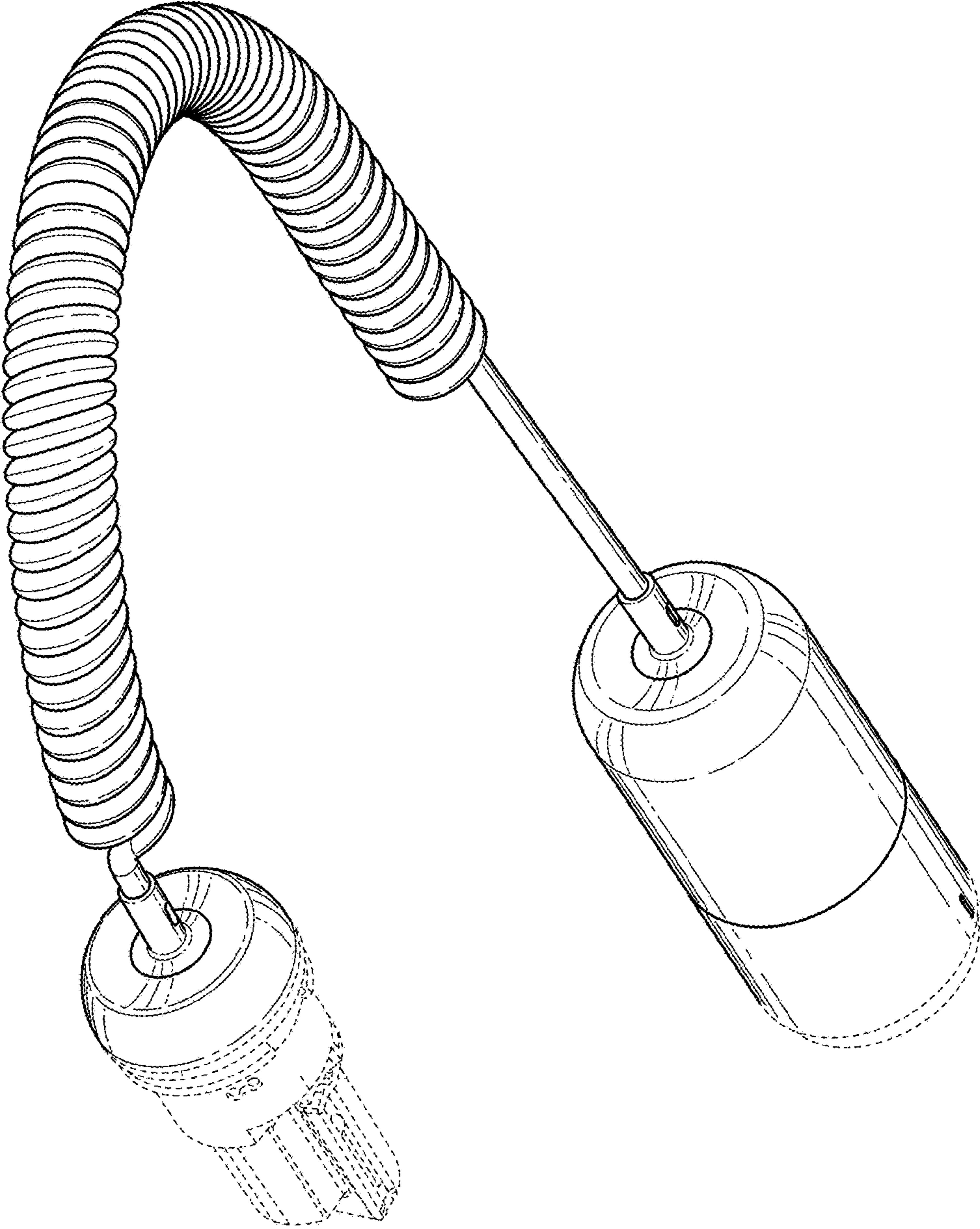


FIG. 4

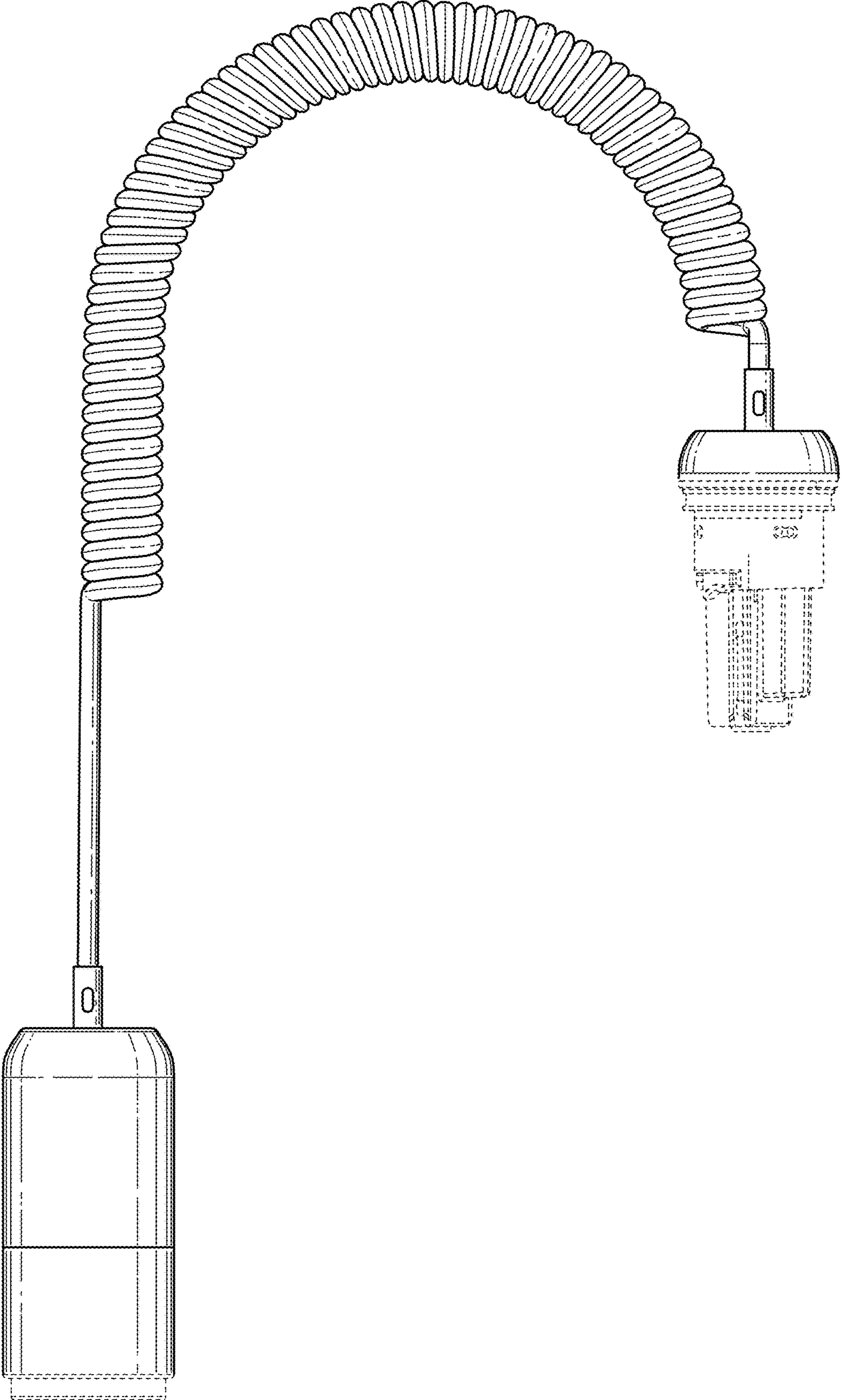


FIG. 5

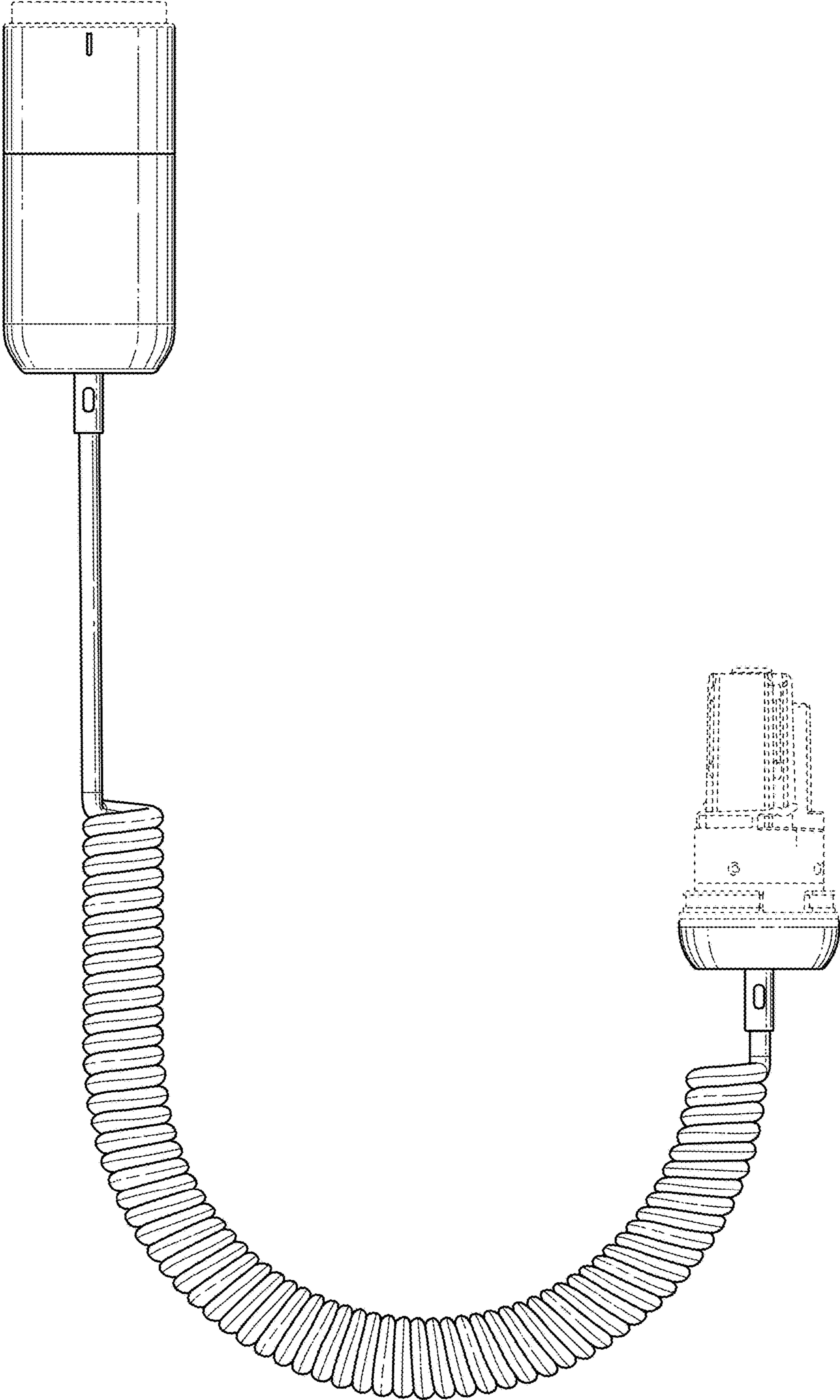


FIG. 6



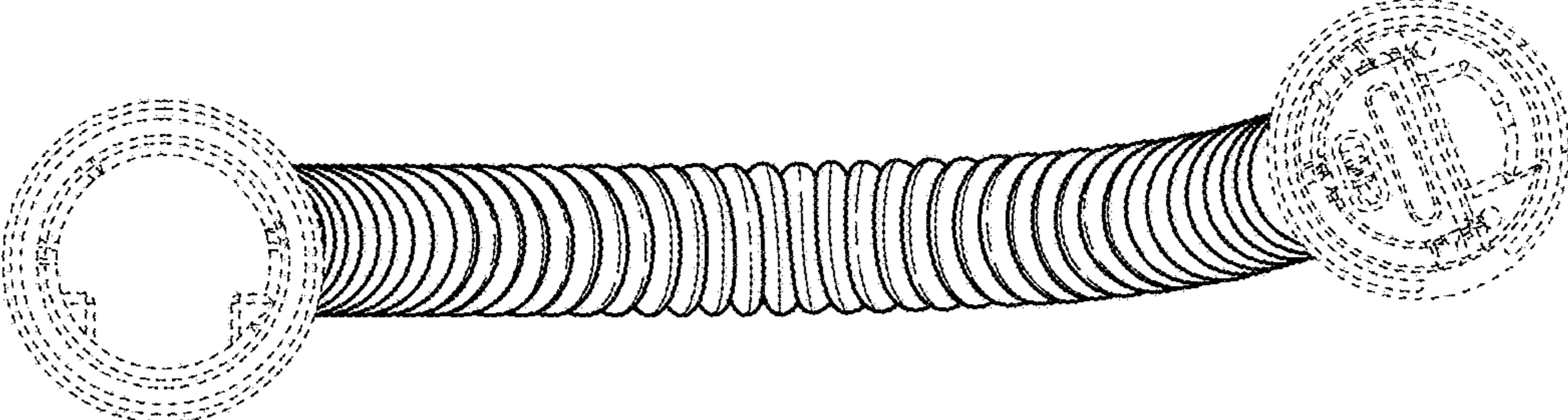


FIG. 7

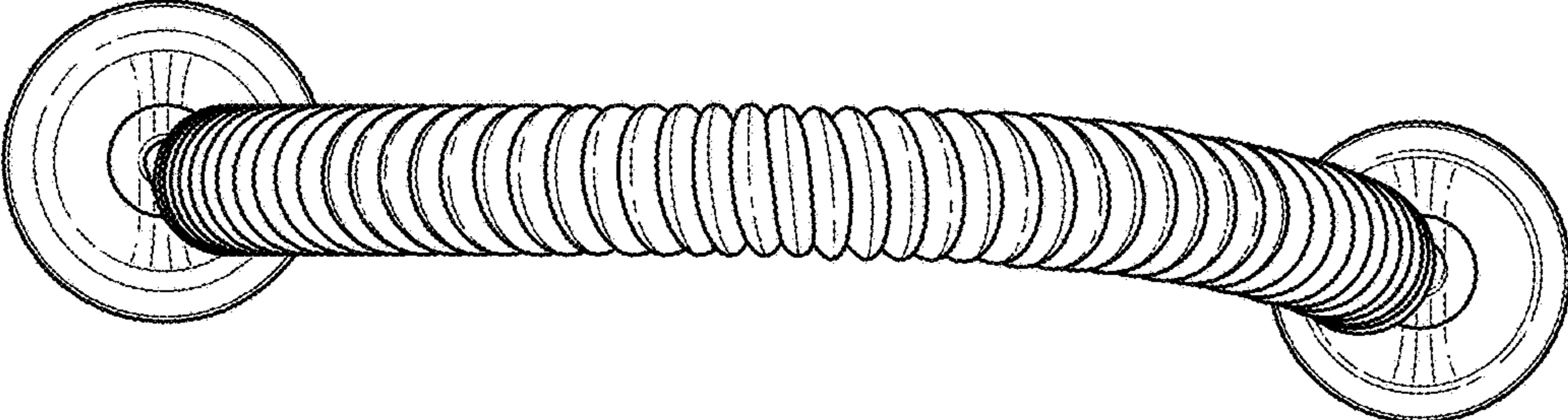


FIG. 8

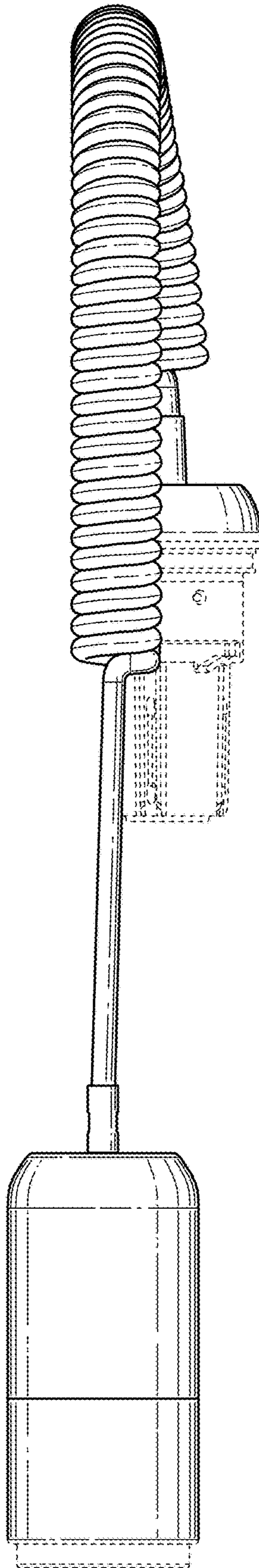


FIG. 9

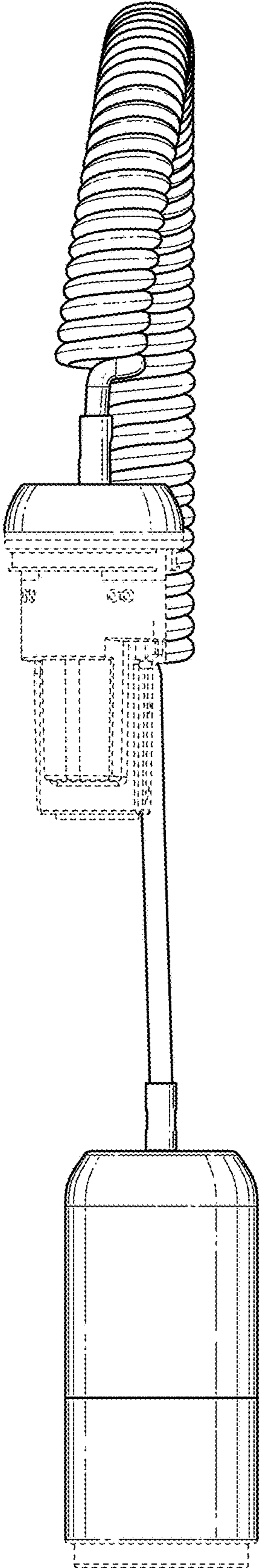


FIG. 10