



US00D818965S

(12) **United States Design Patent** (10) **Patent No.:** **US D818,965 S**  
**Chan et al.** (45) **Date of Patent:** **\*\* May 29, 2018**

(54) **PLUG**  
(71) Applicant: **Amphenol Corporation**, Wallingford Center, CT (US)  
(72) Inventors: **David Chan**, Xiamen (CN); **Wonder Wang**, Xiamen (CN); **Bob Tang**, Xiamen (CN); **Martin Li**, Xiamen (CN); **Smith Wu**, Xiamen (CN); **Jason Si**, Toronto (CA); **Sam Kocsis**, Nashua, NH (US); **Ba Pham**, Toronto (CA); **Brian Kirk**, Amherst, NH (US)

D698,733 S 2/2014 Yokoyama  
D698,734 S 2/2014 Yokoyama  
D699,192 S 2/2014 Takenaga et al.  
D703,615 S 4/2014 Takenaga et al.  
D706,221 S 6/2014 Grant et al.  
D719,922 S \* 12/2014 Yokoyama ..... D13/147  
D721,657 S 1/2015 Yamaguchi  
D722,026 S \* 2/2015 Yokoyama ..... D13/147

(Continued)

**FOREIGN PATENT DOCUMENTS**

CN 203574938 U 4/2014  
TW D152287 S1 4/2012  
TW D172199 S1 6/2014

**OTHER PUBLICATIONS**

U.S. Appl. No. 29/575,279, filed Aug. 23, 2016, Chan et al.  
U.S. Appl. No. 29/575,639, filed Aug. 26, 2016, Chan et al.

*Primary Examiner* — Daniel Bui  
(74) *Attorney, Agent, or Firm* — Wolf, Greenfield & Sacks, P.C.

(73) Assignee: **Amphenol Corporation**, Wallingford, CT (US)

(\*\*) Term: **15 Years**

(21) Appl. No.: **29/575,635**

(22) Filed: **Aug. 26, 2016**

(51) **LOC (11) Cl.** ..... **13-03**

(52) **U.S. Cl.**  
USPC ..... **D13/147**

(58) **Field of Classification Search**  
USPC ..... D13/133, 146, 147, 154, 156, 184, 199;  
D14/432, 433, 434, 435.1, 438  
CPC .... H01R 12/64; H01R 12/71; H01R 13/5219;  
H01R 13/6581; H01R 13/6596; H01R  
13/6873; H01R 13/748  
See application file for complete search history.

(56) **References Cited**

**U.S. PATENT DOCUMENTS**

D322,604 S 12/1991 Komatsu  
D580,359 S \* 11/2008 Su ..... D13/147  
D583,766 S \* 12/2008 Chiang ..... D13/147  
D598,862 S \* 8/2009 Chen ..... D13/147  
D601,505 S \* 10/2009 Fukazawa ..... D13/147  
D626,077 S \* 10/2010 Huang ..... D13/147  
D671,896 S \* 12/2012 Wang ..... D13/147

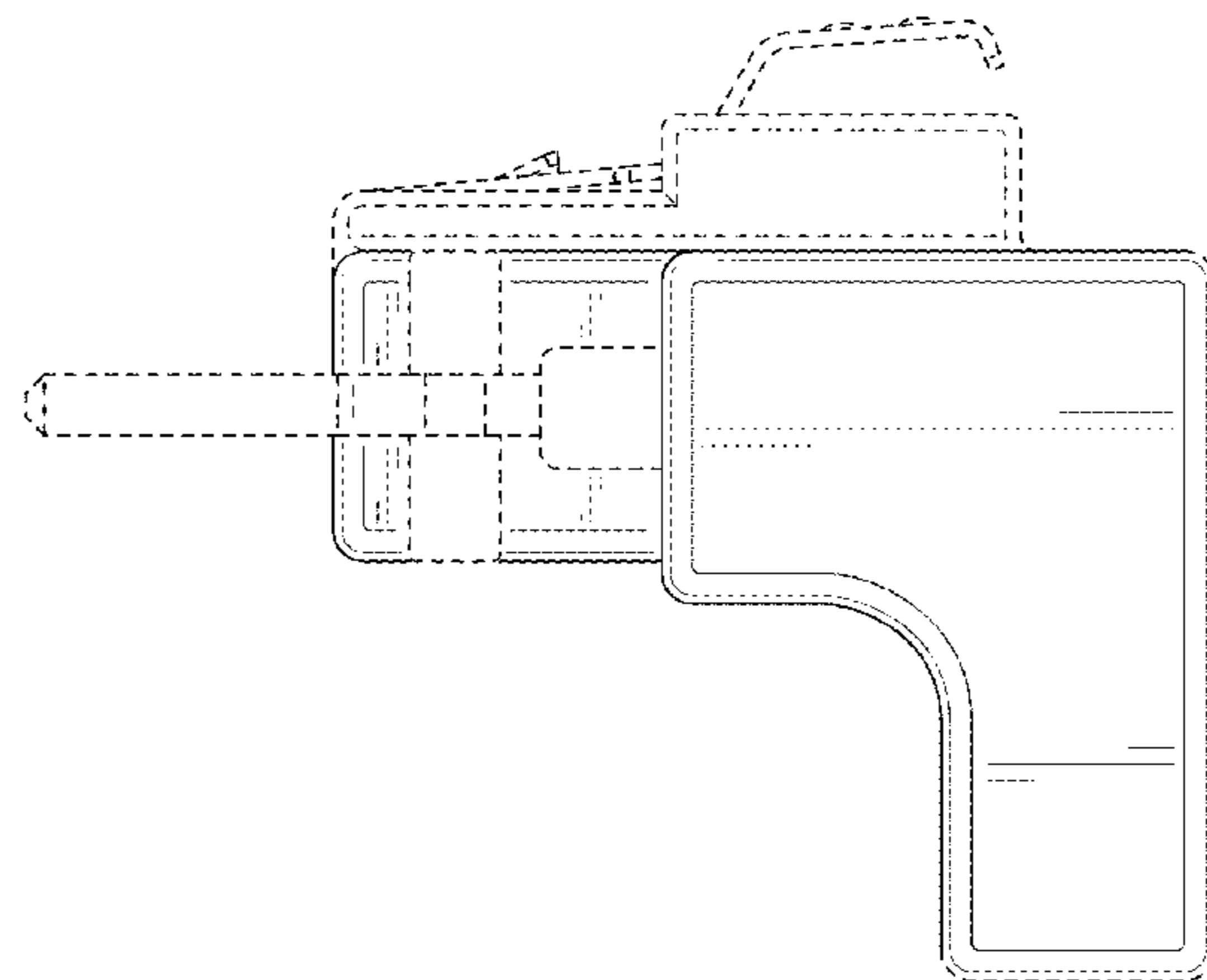
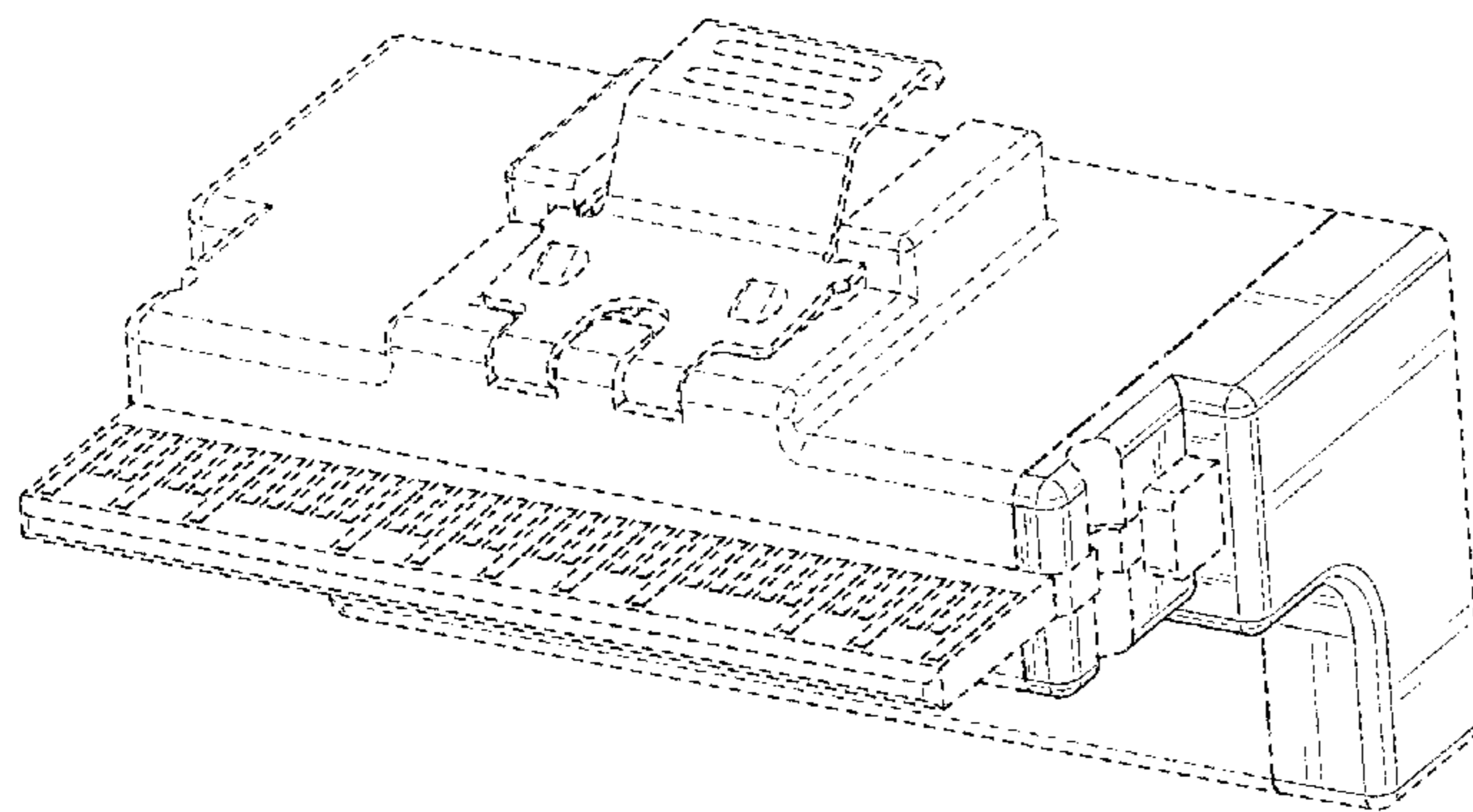
(57) **CLAIM**

The ornamental design for a plug, as shown and described.

**DESCRIPTION**

FIG. 1 is a top, front, right side perspective view of a plug showing our new design;  
FIG. 2 is a front elevation view thereof;  
FIG. 3 is a rear elevation view thereof;  
FIG. 4 is a left side elevation view thereof;  
FIG. 5 is a right side elevation view thereof;  
FIG. 6 is a top plan view thereof; and,  
FIG. 7 is a bottom plan view thereof.  
The dashed broken lines of the figures represent portions of the plug that form no part of the claimed design. The dash-dot broken lines define boundaries of the claimed design, and form no part of the claimed design.

**1 Claim, 7 Drawing Sheets**



(56)

**References Cited**

U.S. PATENT DOCUMENTS

D726,657 S     4/2015   Takenaga et al.  
D729,173 S \*   5/2015   Fukumoto ..... D13/147

\* cited by examiner

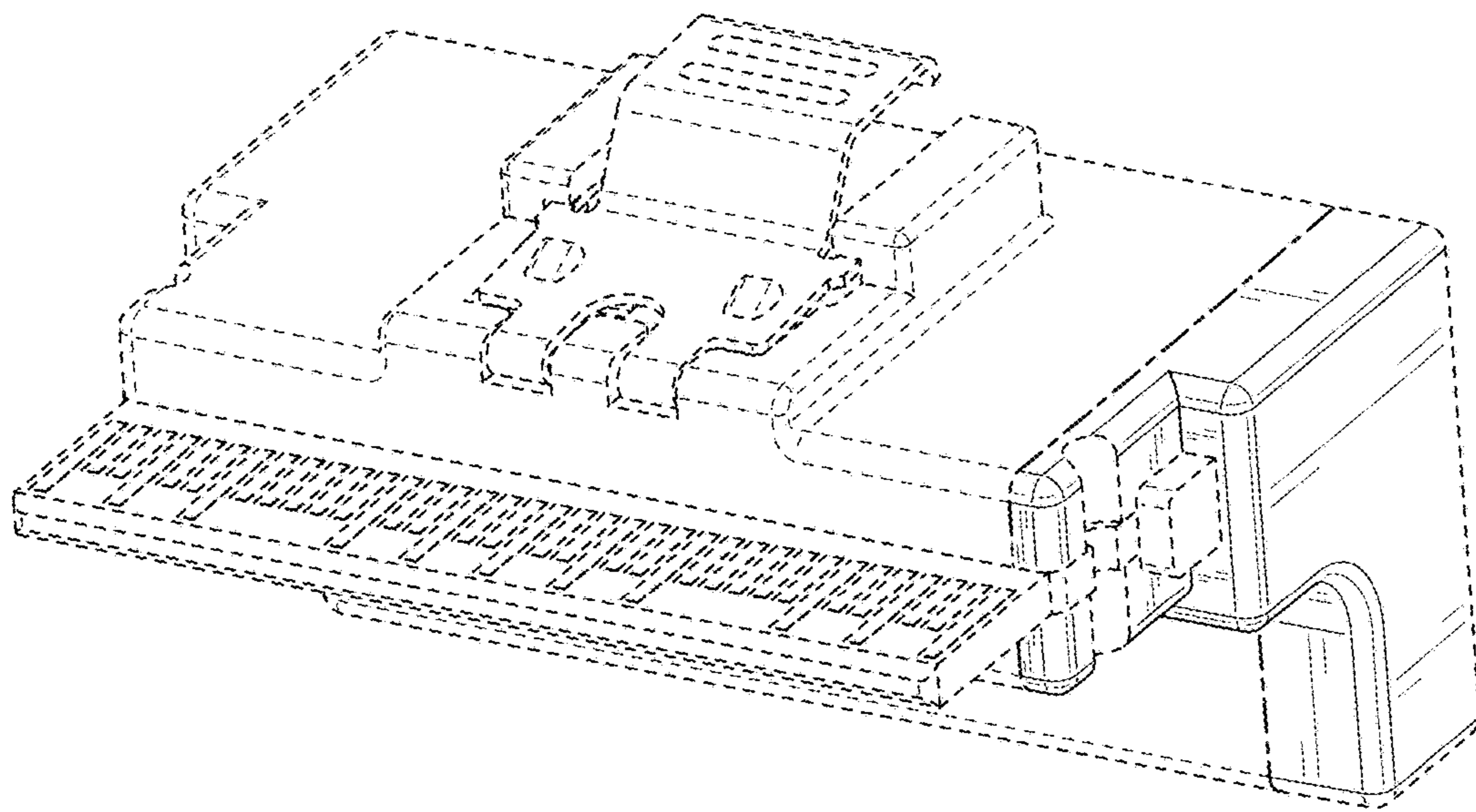


FIG. 1

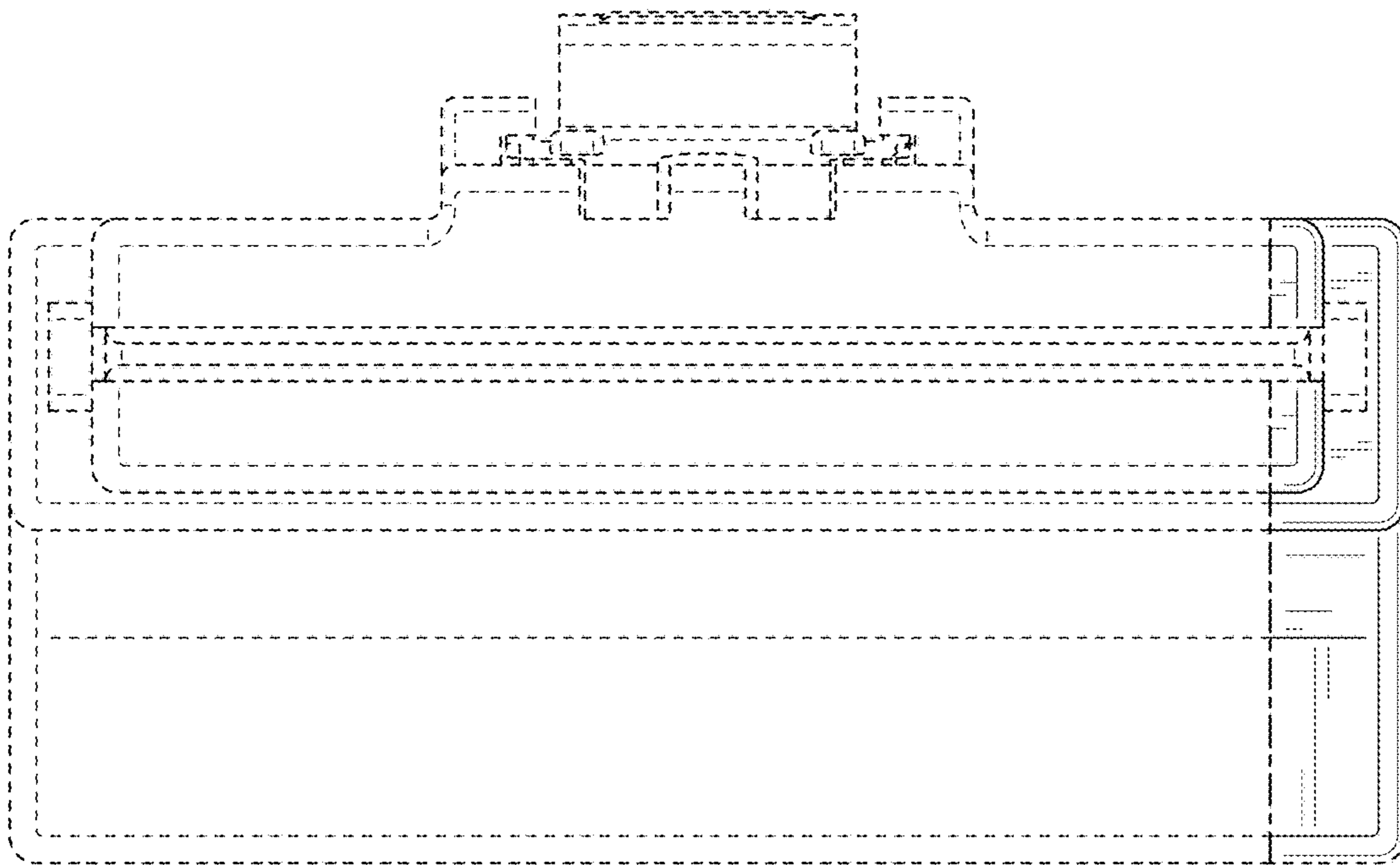


FIG. 2

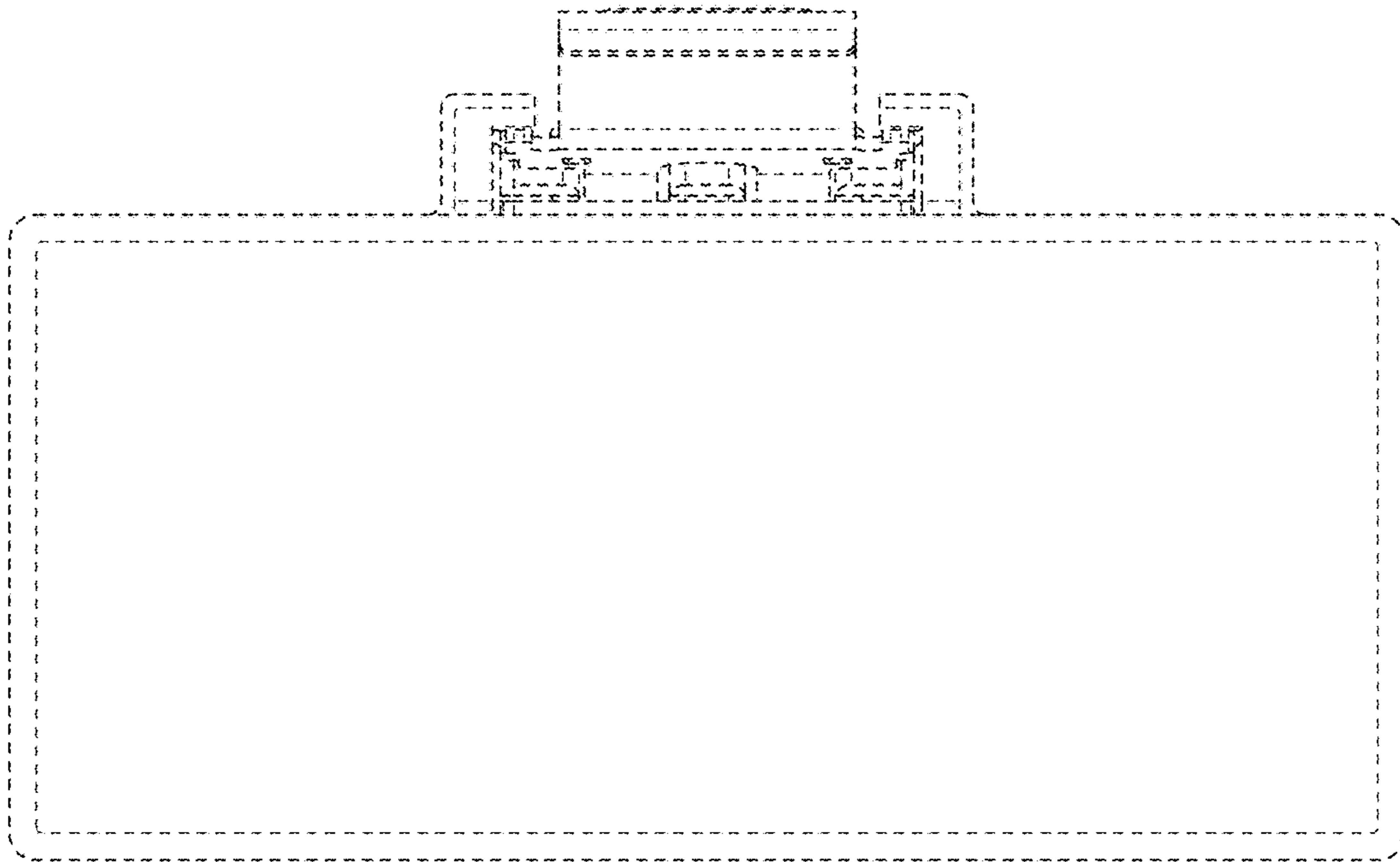


FIG. 3

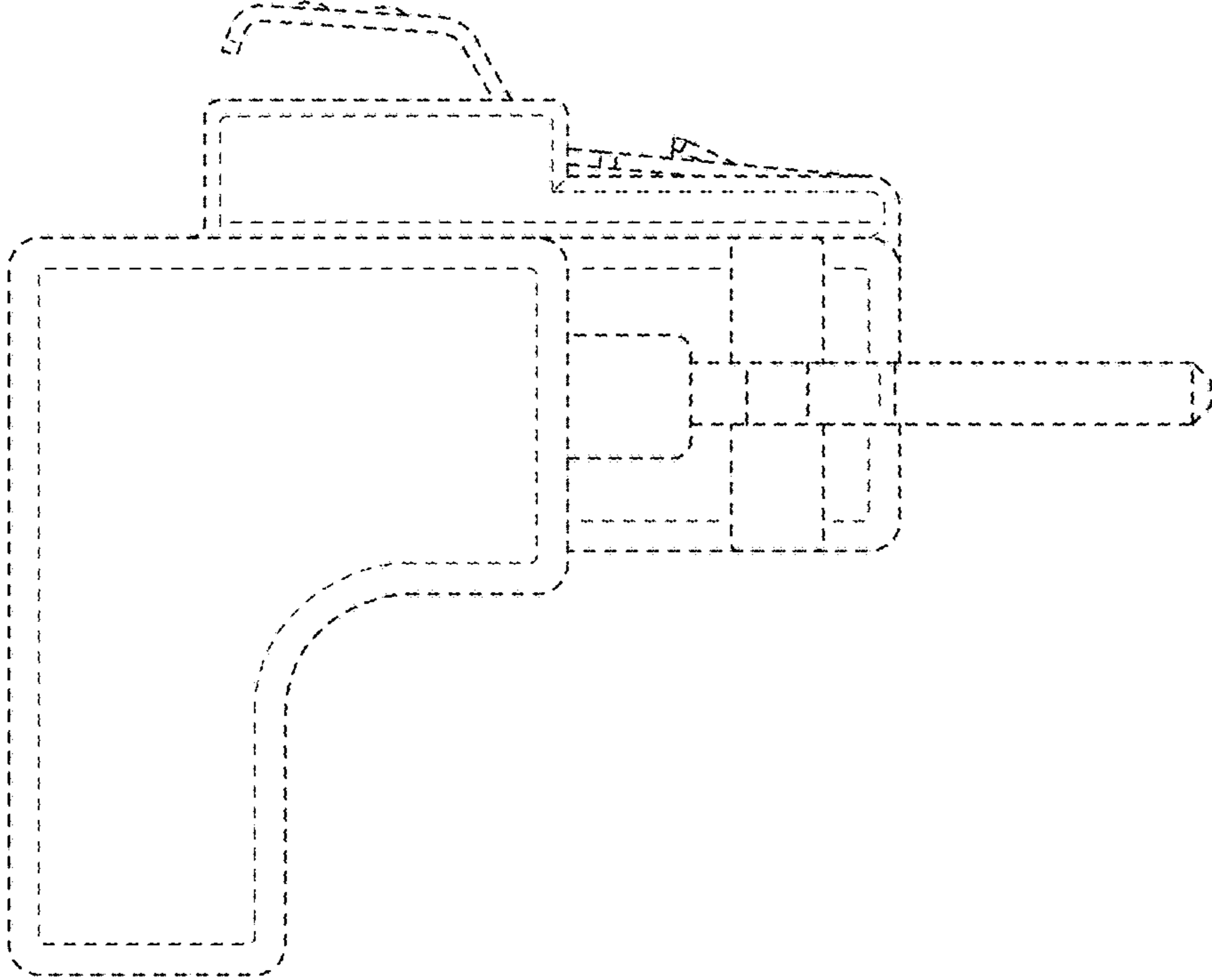


FIG. 4

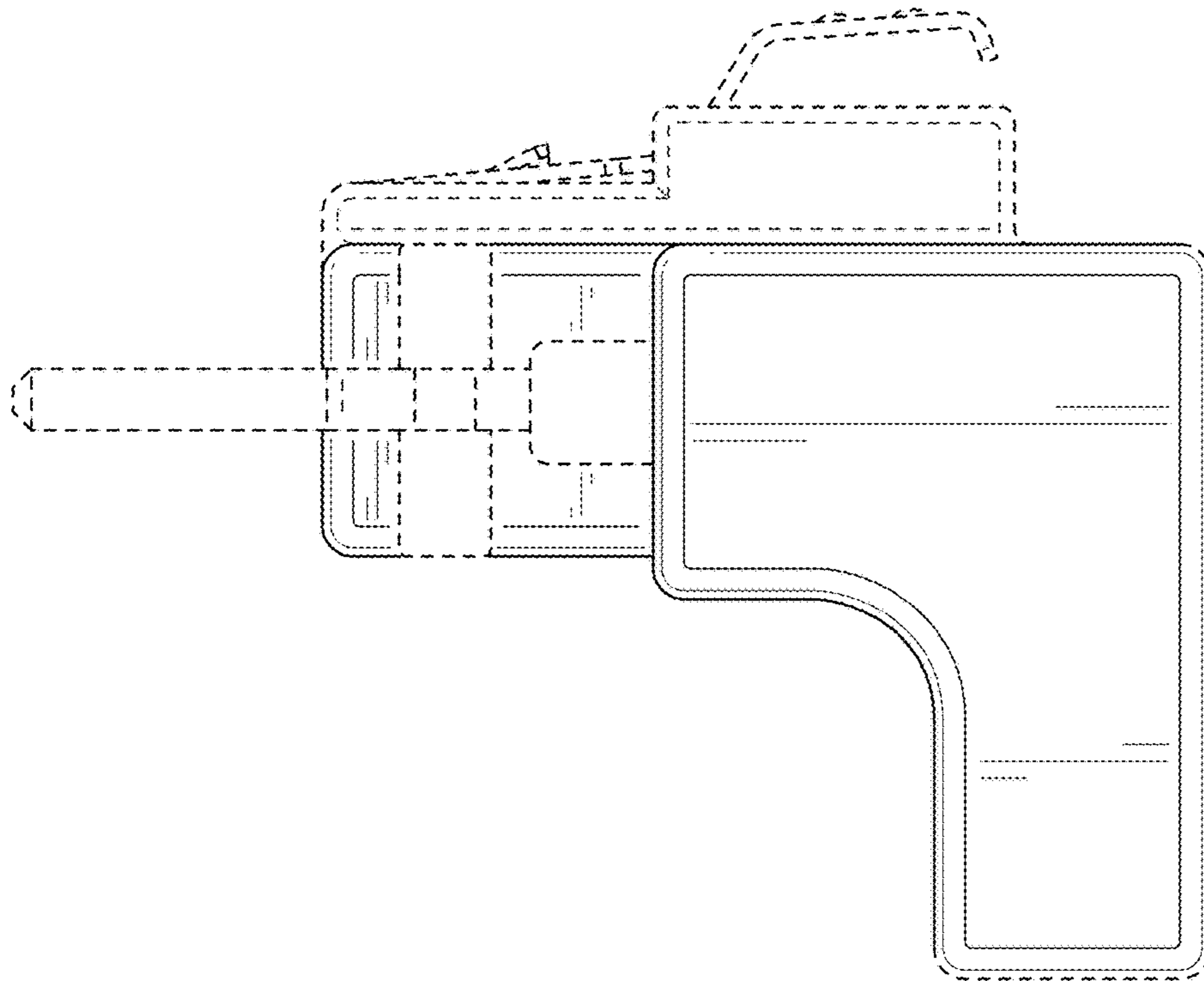


FIG. 5

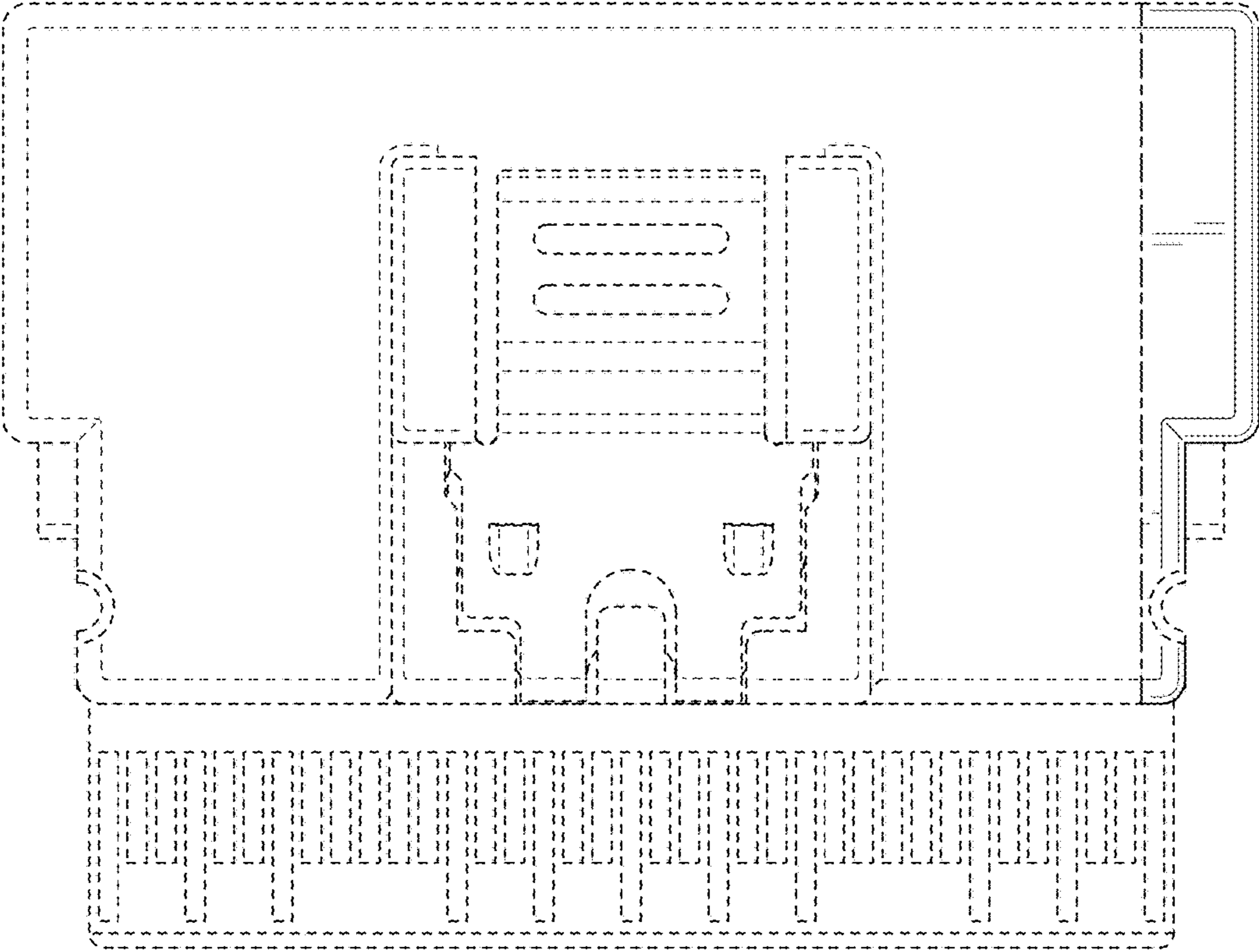


FIG. 6



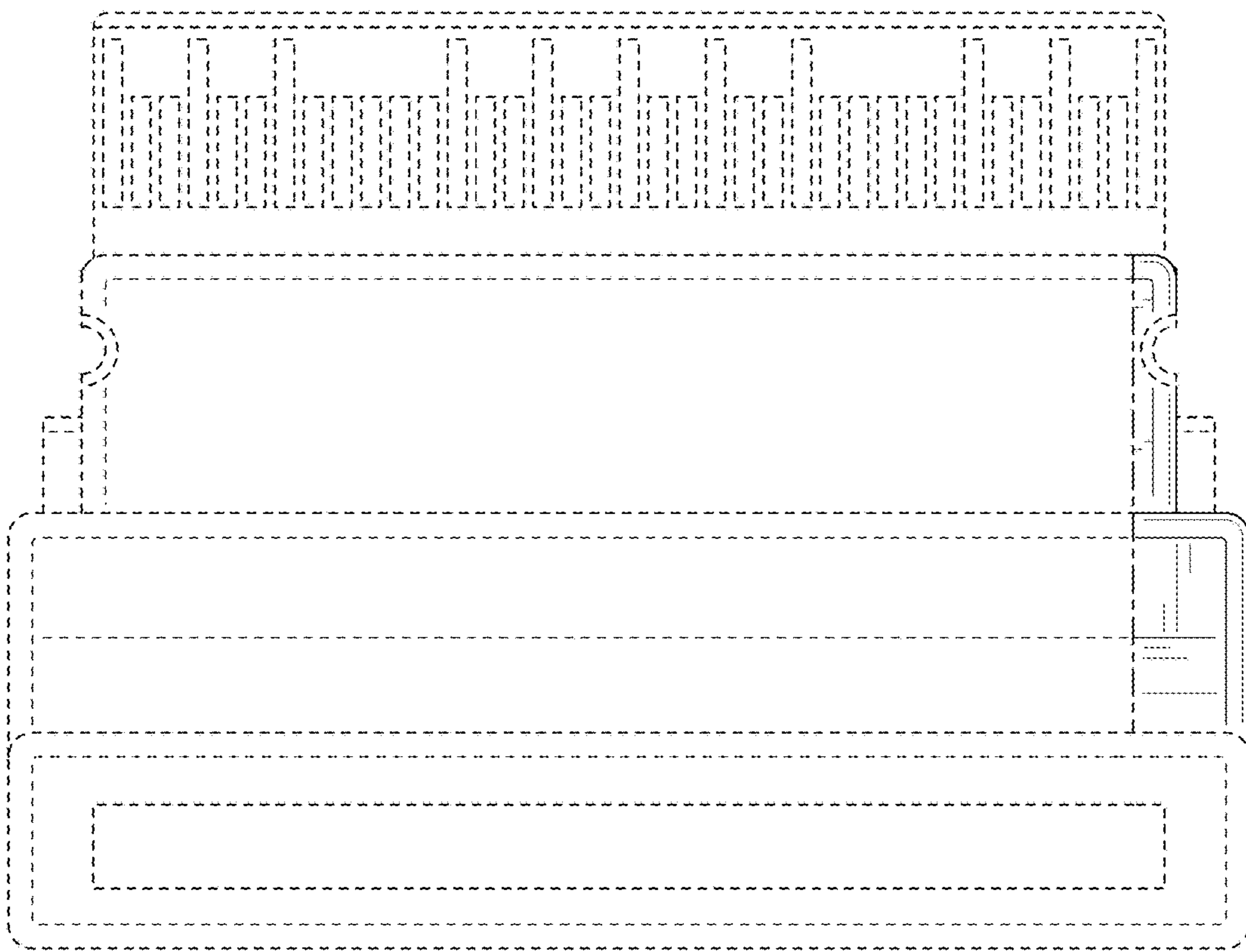


FIG. 7