



US00D818964S

(12) **United States Design Patent**  
**Corona**

(10) **Patent No.:** **US D818,964 S**

(45) **Date of Patent:** **\*\* May 29, 2018**

(54) **FEMALE ELECTRICAL CONNECTOR WITH LOCKING ARMS**

(71) Applicant: **DSM&T Company, Inc.**, Fontana, CA (US)

(72) Inventor: **Sergio Corona**, Upland, CA (US)

(73) Assignee: **DSM&T Company, Inc.**, Fontana, CA (US)

(\*\*) Term: **15 Years**

(21) Appl. No.: **29/598,112**

(22) Filed: **Mar. 23, 2017**

(51) **LOC (11) Cl.** ..... **13-03**

(52) **U.S. Cl.**  
USPC ..... **D13/146**; D13/149

(58) **Field of Classification Search**  
USPC ..... D13/107, 110, 112, 118, 123, 133,  
D13/145-147, 149, 151, 154, 156, 173,  
D13/184, 199

CPC ..... H01R 13/00; H01R 13/40; H01R 13/50;  
H01R 13/52; H01R 13/62; H01R 13/64;  
H01R 13/405; H01R 13/58; H01R 13/63;  
H01R 13/639; H01R 13/659; H01R  
13/70; H01R 24/64

See application file for complete search history.

(56) **References Cited**

**U.S. PATENT DOCUMENTS**

D86,515 S	3/1932	Cox	
D188,419 S	7/1960	Danesi	
D251,491 S *	4/1979	Snyder, Jr.	D13/146
4,606,596 A	8/1986	Whiting et al.	
D286,397 S	10/1986	Challans	
4,704,091 A	11/1987	Owens et al.	
D321,252 S *	10/1991	Jepson	D24/112
D328,281 S *	7/1992	Nociar	D13/146

5,201,669 A	4/1993	Lin	
5,285,163 A	2/1994	Liotta	
5,401,181 A	3/1995	Wilson	
D360,187 S	7/1995	Starec et al.	
D360,871 S	8/1995	Wilson	
D360,872 S	8/1995	Wilson	
5,460,545 A	10/1995	Siemon et al.	
D393,831 S	4/1998	Siemon et al.	
D416,230 S	11/1999	Narumo et al.	
D425,028 S	5/2000	Lee	
D427,309 S *	6/2000	Molina	D24/112
D434,377 S	11/2000	Bussett et al.	
D437,828 S	2/2001	Corona	
D439,221 S	3/2001	Corona	
D444,128 S	6/2001	Tan et al.	
D445,763 S	7/2001	Corona	
D446,186 S	8/2001	Corona	
6,379,169 B1	4/2002	Corona	

(Continued)

*Primary Examiner* — Cathron C Brooks

*Assistant Examiner* — Shawn T Gingrich

(74) *Attorney, Agent, or Firm* — Keusey & Associates, P.C.

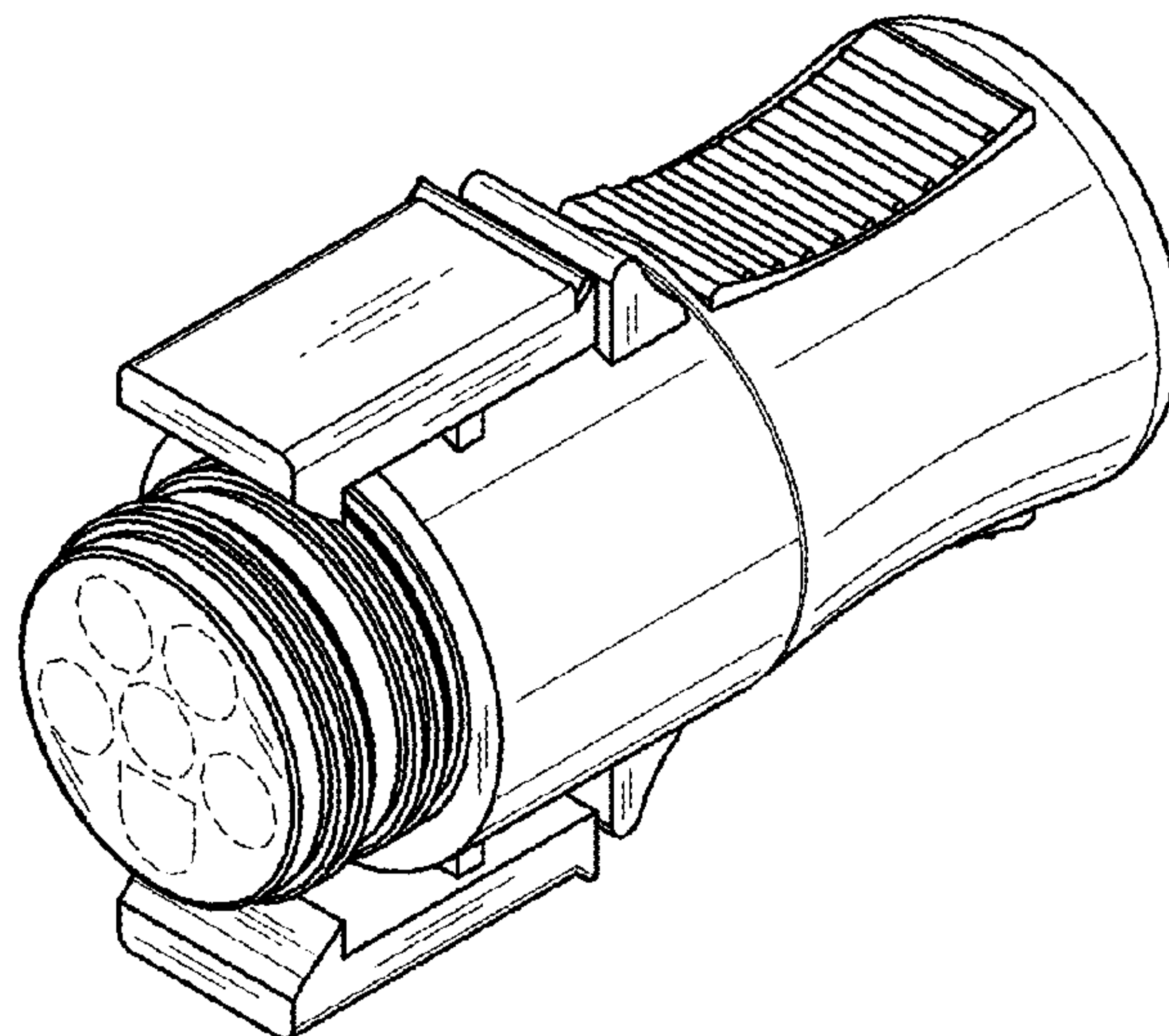
(57) **CLAIM**

The ornamental design for a female electrical connector with locking arms, as shown and described.

**DESCRIPTION**

FIG. 1 is a top, front, right side perspective view of my new design of a female electrical connector with locking arms. FIG. 2 is a right side elevational view thereof. FIG. 3 is a left side elevational view thereof. FIG. 4 is a top plan view thereof. FIG. 5 is a bottom plan view thereof. FIG. 6 is a front side elevational view thereof; and, FIG. 7 is a rear side elevational view thereof. The broken lines in FIGS. 1, 6 and 7 represent environment only, and form no part of the claimed design.

**1 Claim, 2 Drawing Sheets**



(56)

References Cited

U.S. PATENT DOCUMENTS

6,383,003 B1	5/2002	Corona		D670,650 S	11/2012	Ebihara	
D472,523 S	4/2003	Hansen		D677,629 S	3/2013	Corona	
D473,844 S	4/2003	Bender et al.		D678,200 S	3/2013	Corona	
D502,919 S	3/2005	Studnick		D678,201 S	3/2013	Corona	
D503,150 S	3/2005	Yamawaki et al.		D678,202 S	3/2013	Corona	
D514,070 S	1/2006	Bachmann		D678,203 S	3/2013	Corona	
D516,028 S	2/2006	Deng		D678,204 S	3/2013	Corona	
D521,933 S	5/2006	Wade et al.		D679,662 S	4/2013	Svelnis et al.	
D524,736 S	7/2006	Morita et al.		D682,209 S *	5/2013	Henrink .....	D13/133
D524,737 S	7/2006	Lai et al.		D682,793 S	5/2013	Igelmund	
D535,618 S	1/2007	Hu et al.		D692,829 S *	11/2013	Dobler .....	D13/133
D555,594 S	11/2007	So		D694,189 S	11/2013	Ledinger et al.	
D559,785 S *	1/2008	Tosetti .....	A61C 1/18 D13/133	D697,030 S	1/2014	Ledinger et al.	
D560,610 S	1/2008	McCoy		D698,730 S	2/2014	Hori et al.	
D571,727 S	6/2008	Yang et al.		D704,645 S	5/2014	Nomura et al.	
7,390,210 B2	6/2008	Corona		D705,738 S *	5/2014	Schmidt .....	D13/146
D573,536 S	7/2008	Hariharesan et al.		D707,179 S *	6/2014	Smith .....	D13/146
D577,671 S	9/2008	Schnitzler		D708,142 S	7/2014	Luther et al.	
D586,750 S	2/2009	Li		D715,227 S *	10/2014	Leem .....	D13/146
D596,125 S	7/2009	Norin et al.		D716,732 S	11/2014	Neumann	
D604,697 S	11/2009	Sago et al.		D729,169 S	5/2015	Corona	
D606,944 S	12/2009	Mehnert et al.		D735,671 S *	8/2015	Kuhnert .....	D13/146
D613,246 S	4/2010	Muecke et al.		D748,058 S	1/2016	Corona	
D615,040 S *	5/2010	Slippy .....	D13/133	D753,065 S	4/2016	Corona	
D615,042 S	5/2010	Morgan et al.		D753,600 S	4/2016	Svelnis	
7,722,397 B2	5/2010	Schleith		D762,178 S	7/2016	Liu et al.	
D616,821 S	6/2010	The		D766,183 S	9/2016	Corona	
7,785,123 B2	8/2010	Corona		D766,184 S	9/2016	Corona	
RE42,230 E	3/2011	Norin et al.		D768,082 S *	10/2016	Chuang .....	D13/146
D637,159 S	5/2011	Hu		D770,386 S	11/2016	Corona	
D639,243 S	6/2011	Gharib et al.		D770,981 S *	11/2016	Corona .....	D13/146
D639,250 S	6/2011	Svelnis et al.		D774,465 S	12/2016	Corona	
D639,743 S	6/2011	Smith et al.		D774,466 S	12/2016	Corona	
D643,815 S	8/2011	Mark et al.		D778,838 S *	2/2017	Dobler .....	D13/133
D651,171 S	12/2011	Yamauchi et al.		D793,340 S *	8/2017	Wang .....	D13/146
D651,172 S	12/2011	Yamauchi et al.		2003/0139094 A1	7/2003	Venditti et al.	
D670,647 S *	11/2012	Ebihara .....	D13/133	2004/0147170 A1	7/2004	Greenwood et al.	
				2011/0003512 A1	1/2011	Bower et al.	
				2015/0126075 A1	5/2015	Chen et al.	

\* cited by examiner

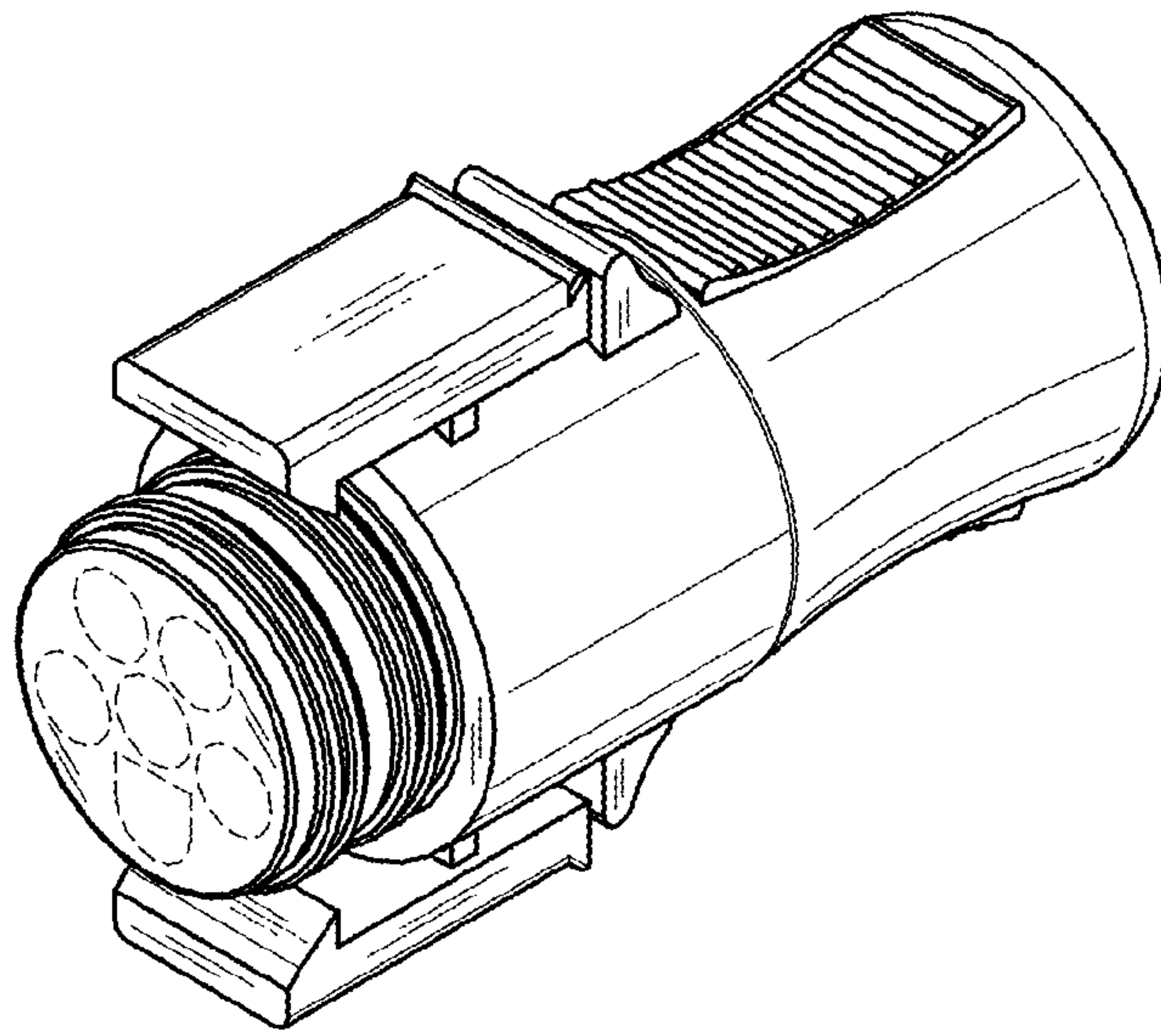


FIG. 1

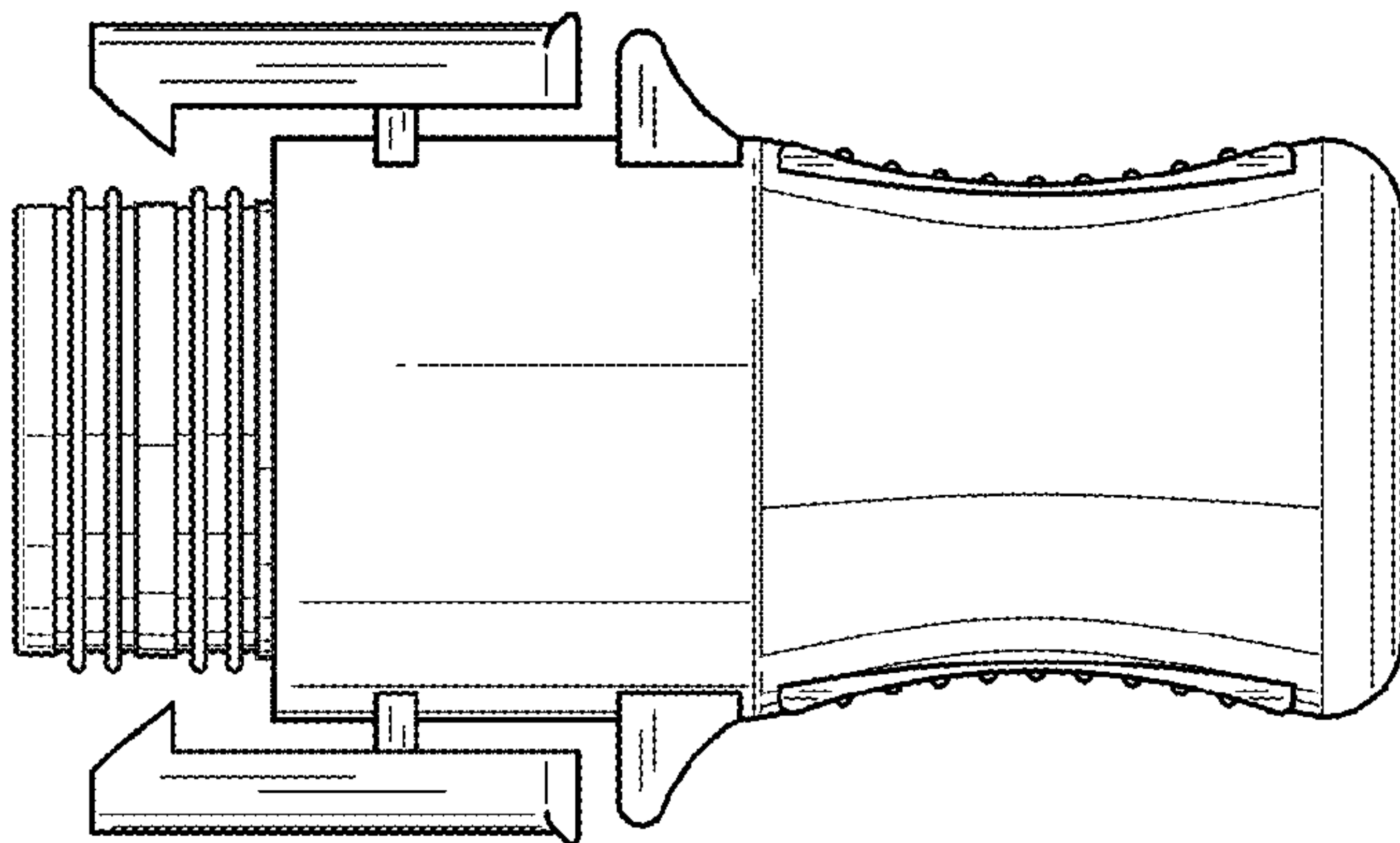


FIG. 2

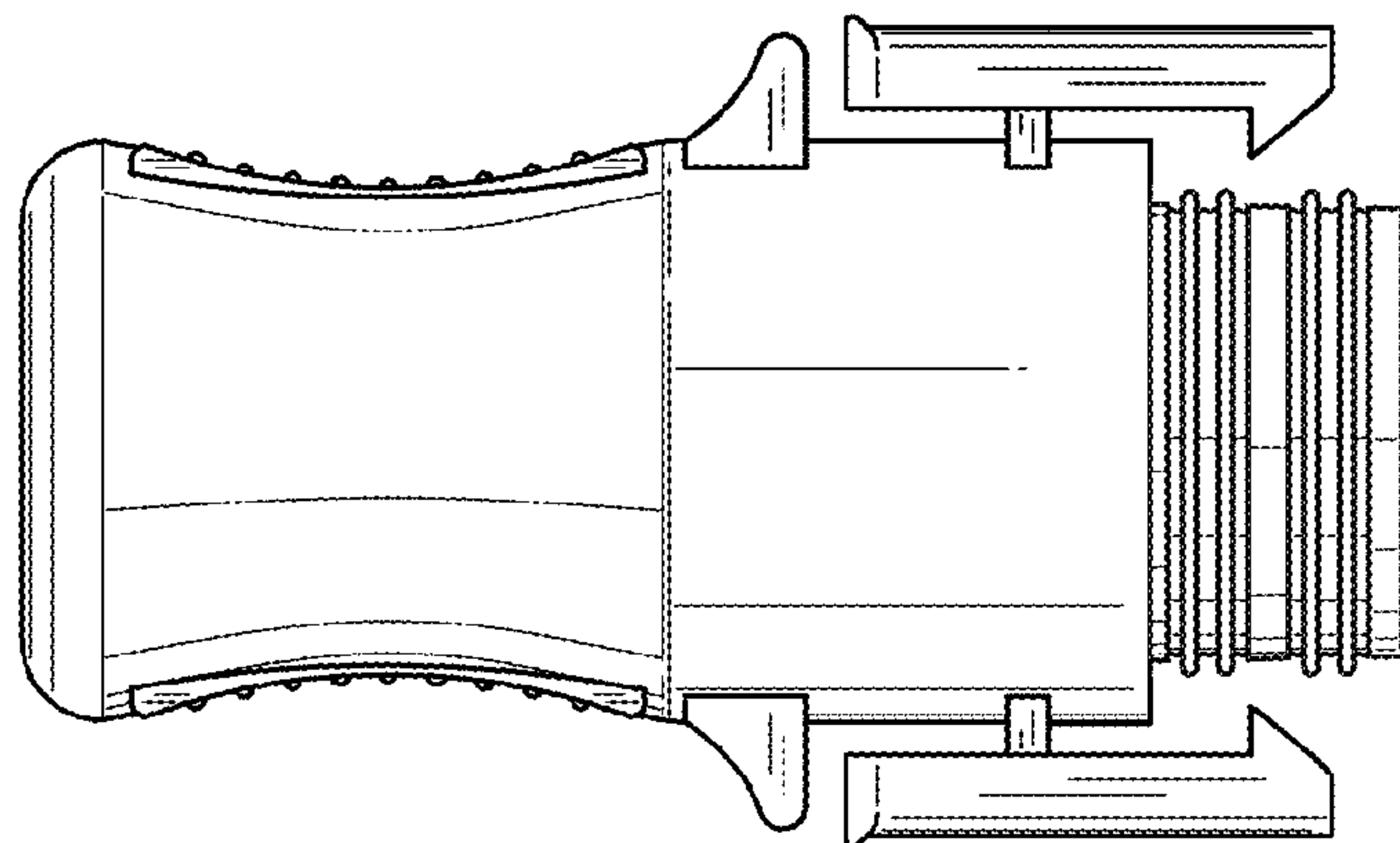


FIG. 3



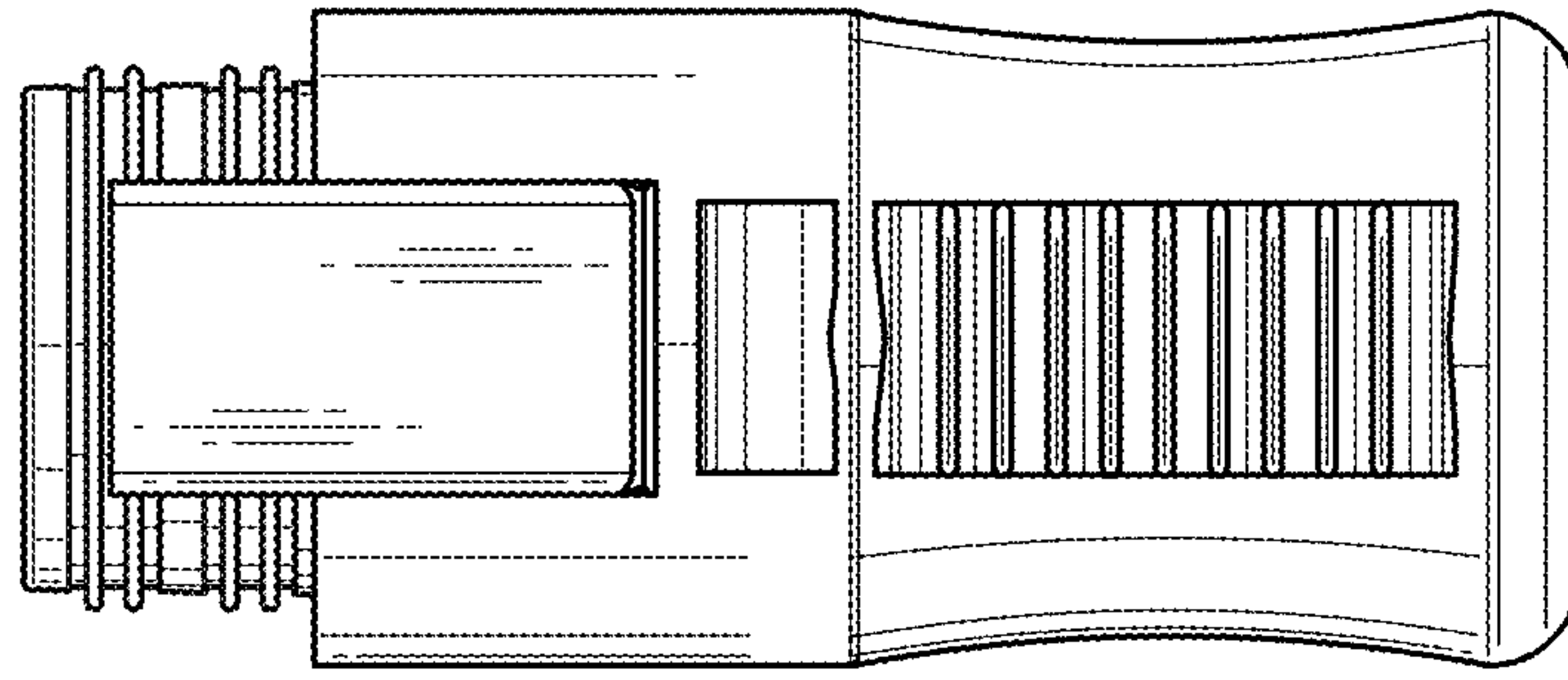


FIG. 4

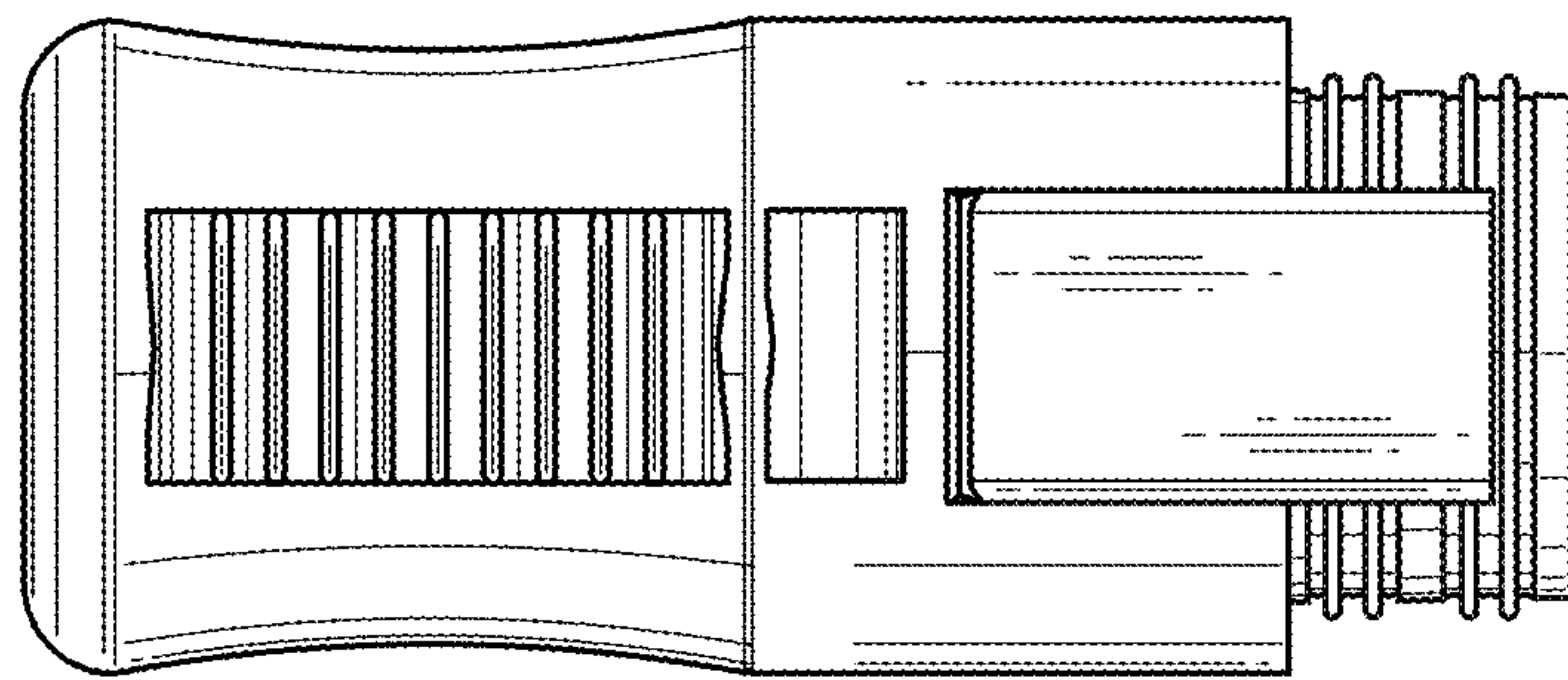


FIG. 5

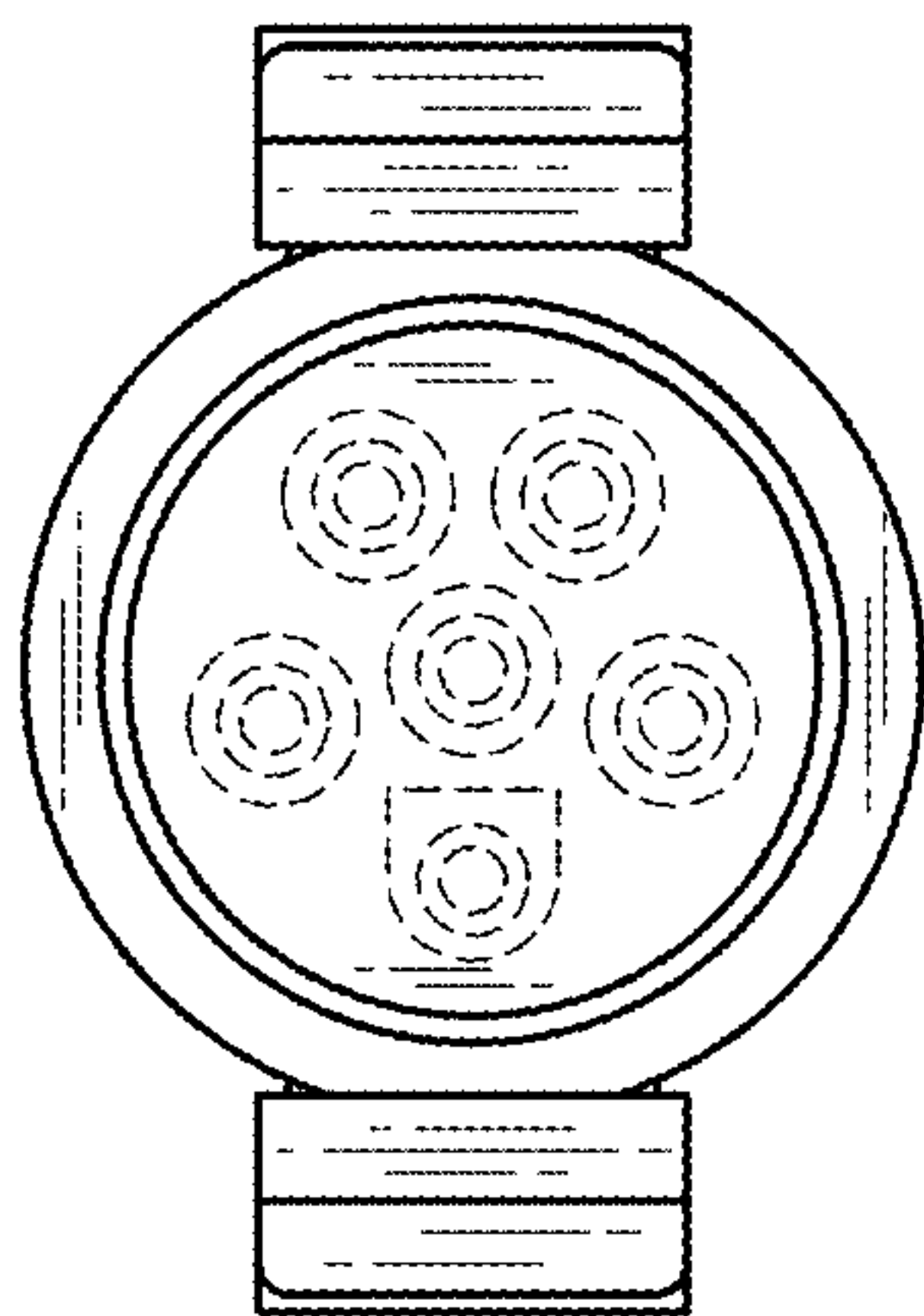


FIG. 6

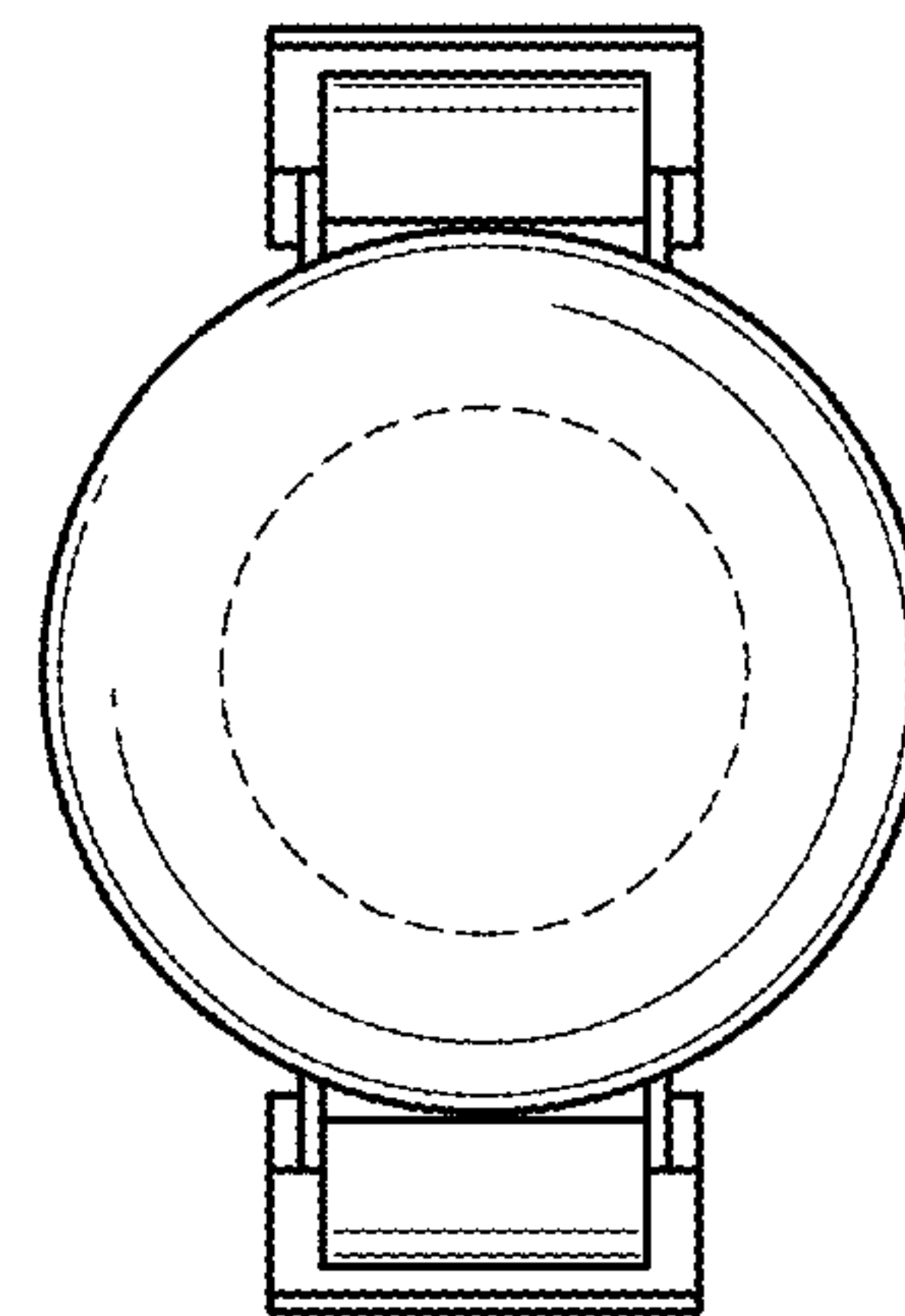


FIG. 7