



US00D818963S

(12) **United States Design Patent** (10) **Patent No.:** **US D818,963 S**  
**Little** (45) **Date of Patent:** **\*\* May 29, 2018**

(54) **PLUG ADAPTER**

(71) Applicant: **DG International Holdings Limited**,  
London (GB)

(72) Inventor: **Simon Little**, Middlesex (GB)

(73) Assignee: **DG International Holdings Limited**,  
Mill Hill, London

(\*\*) Term: **15 Years**

(21) Appl. No.: **29/578,299**

(22) Filed: **Sep. 20, 2016**

(51) **LOC (11) Cl.** ..... **13-03**

(52) **U.S. Cl.**  
USPC ..... **D13/137.2**

(58) **Field of Classification Search**  
USPC ..... D13/108, 110, 123, 133, 137.1–137.4,  
D13/138.1–138.2, 139.1–139.8, 152–154,  
D13/156, 158, 177; D8/350–353  
CPC ..... H01R 25/00; H01R 25/006  
See application file for complete search history.

(56) **References Cited**

**U.S. PATENT DOCUMENTS**

D290,039 S *	5/1987	Greenberg	.....	D23/411
D564,964 S *	3/2008	Caine	.....	D13/137.1
D642,536 S *	8/2011	Robinson	.....	D13/154
D688,607 S *	8/2013	Foster	.....	D12/179
D700,144 S *	2/2014	Benedict	.....	D13/133
D707,626 S *	6/2014	Atkinson	.....	D13/110
D746,231 S *	12/2015	Uno	.....	D13/133
D755,185 S *	5/2016	Khanampornpan	.....	D14/433
D776,616 S *	1/2017	Katagiyama	.....	D13/133
D776,796 S *	1/2017	Denooy	.....	D23/262
D790,470 S *	6/2017	Katagiyama	.....	D13/133

**OTHER PUBLICATIONS**

Amazon.com: Power Bright GS29 Plug Adapter. Published Apr. 24, 2013. Retrieved from the internet at <<https://www.amazon.com/>>

Power-Bright-GS29-Adapter-American/dp/B003AOC0QA/>, Jun. 28, 2017. 1 page.\*

Amazon.com: SF Cable, Schuko Female to USA NEMA 5-15 Plug Adapter. Published Aug. 8, 2012. Retrieved from the Internet at <<https://www.amazon.com/SF-Cable-Schuko-Female-Adapter/dp/B007KLU07U/>>, Jun. 28, 2017. 1 page.\*

(Continued)

*Primary Examiner* — Rosemary K Tarcza

*Assistant Examiner* — Christy Nemeth

(74) *Attorney, Agent, or Firm* — Davis, Brown, Koehn, Shors & Roberts, P.C.; Matthew Warner-Blankenship

(57) **CLAIM**

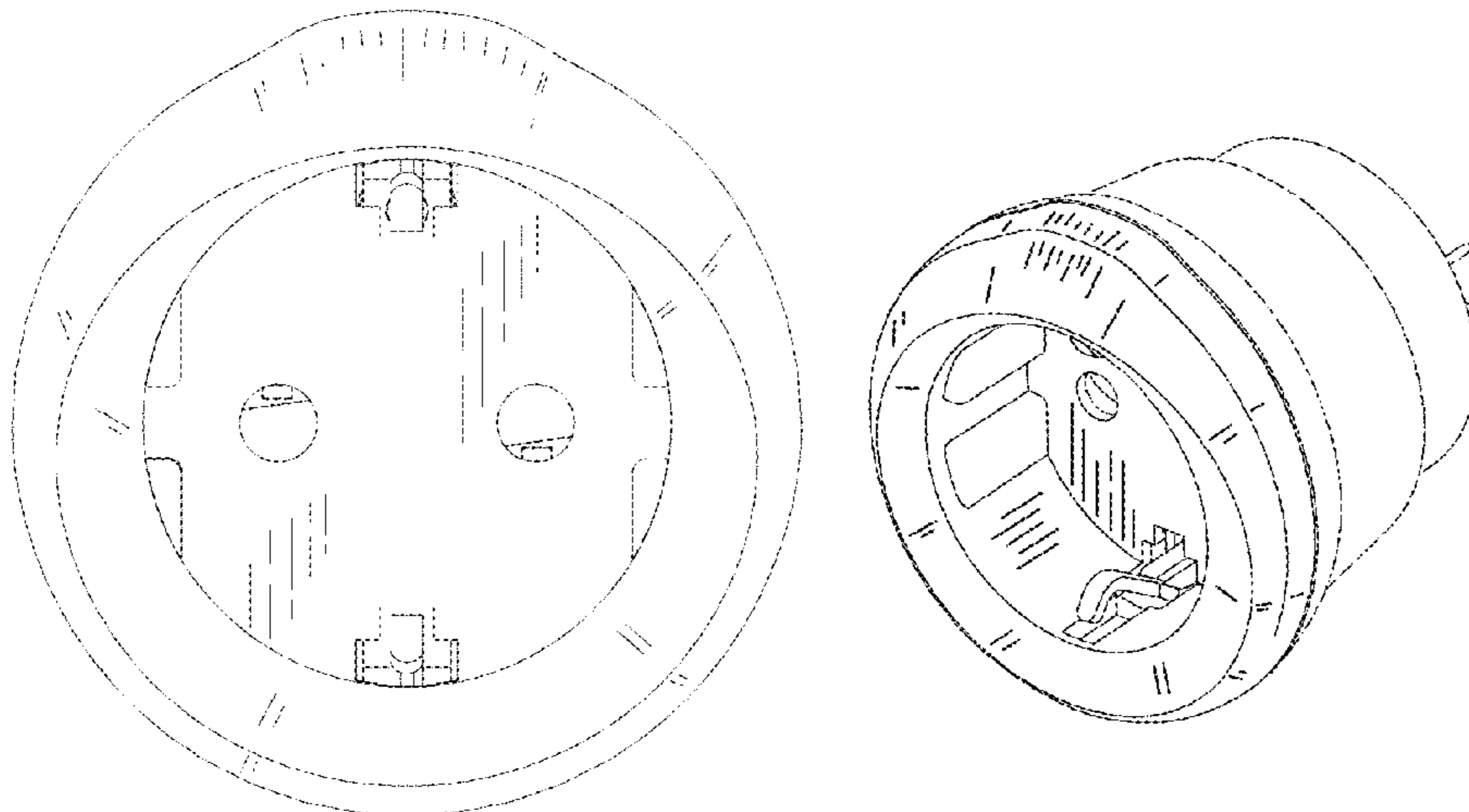
The ornamental design for a plug adapter, as shown and described.

**DESCRIPTION**

FIG. 1 is a top view of a first embodiment of a plug adapter; FIG. 2 is a bottom view thereof; FIG. 3 is a left side view thereof; FIG. 4 is a right side view thereof; FIG. 5 is a front view thereof; FIG. 6 is a rear view thereof; FIG. 7 is a perspective view thereof; FIG. 8 is a top view of a second embodiment of a plug adapter; FIG. 9 is a bottom view thereof; FIG. 10 is a left side view thereof; FIG. 11 is a right side view thereof; FIG. 12 is a front view thereof; FIG. 13 is a rear view thereof; and, FIG. 14 is a perspective view thereof.

The dashed broken lines and dash-dot broken lines in the drawings are for the purpose of illustrating portions of the plug adapter that form no part of the claimed design.

**1 Claim, 14 Drawing Sheets**



(56)

**References Cited**

OTHER PUBLICATIONS

TekTouch.net: The 7 Best Euro to UK Plug Adapters for Your Trip. Published Apr. 4, 2015. Retrieved from the internet at <<http://www.tektouch.net/blog/7-euro-to-uk-plug-adapters/>>, Jun. 28, 2017. 3 pages.\*

\* cited by examiner

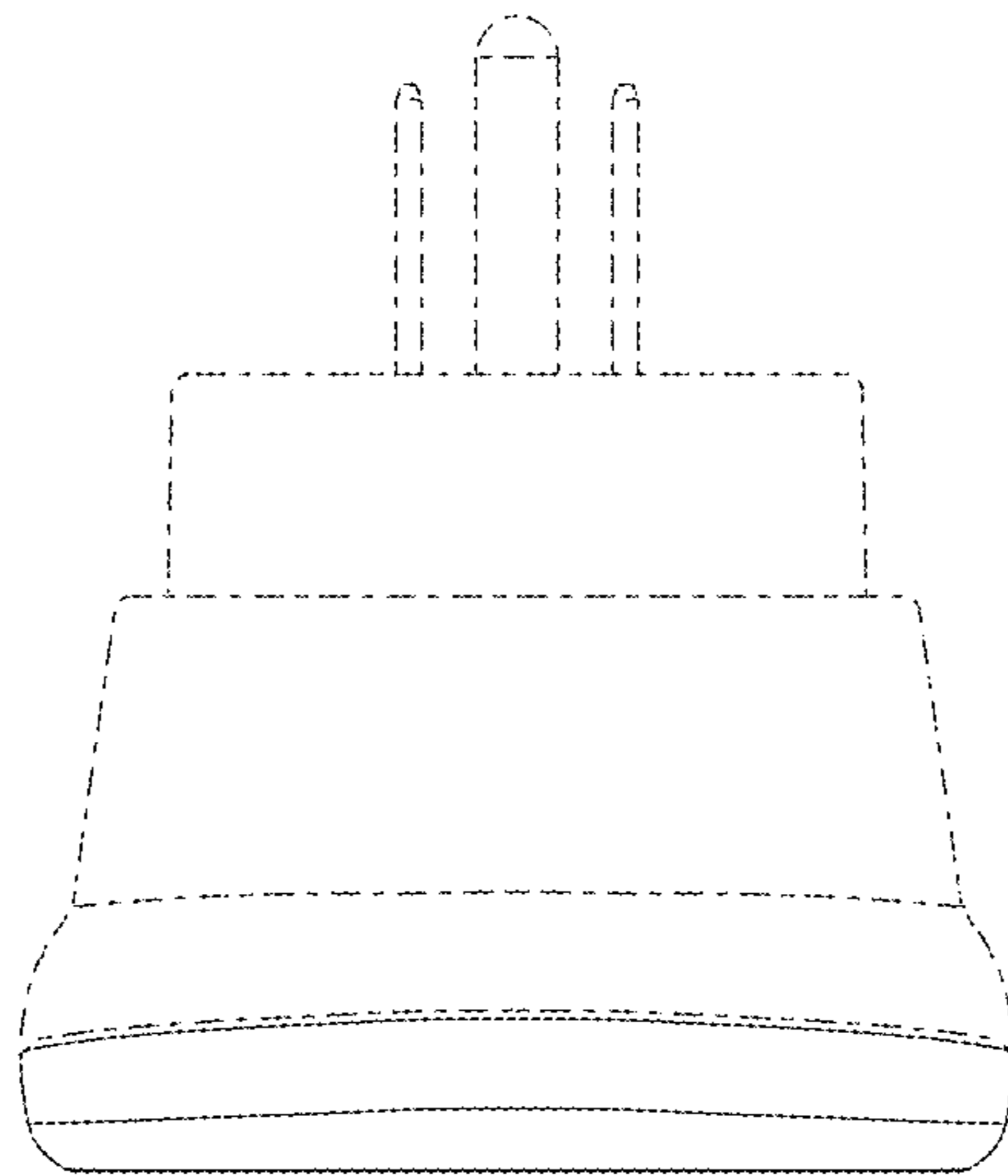


Fig. 1

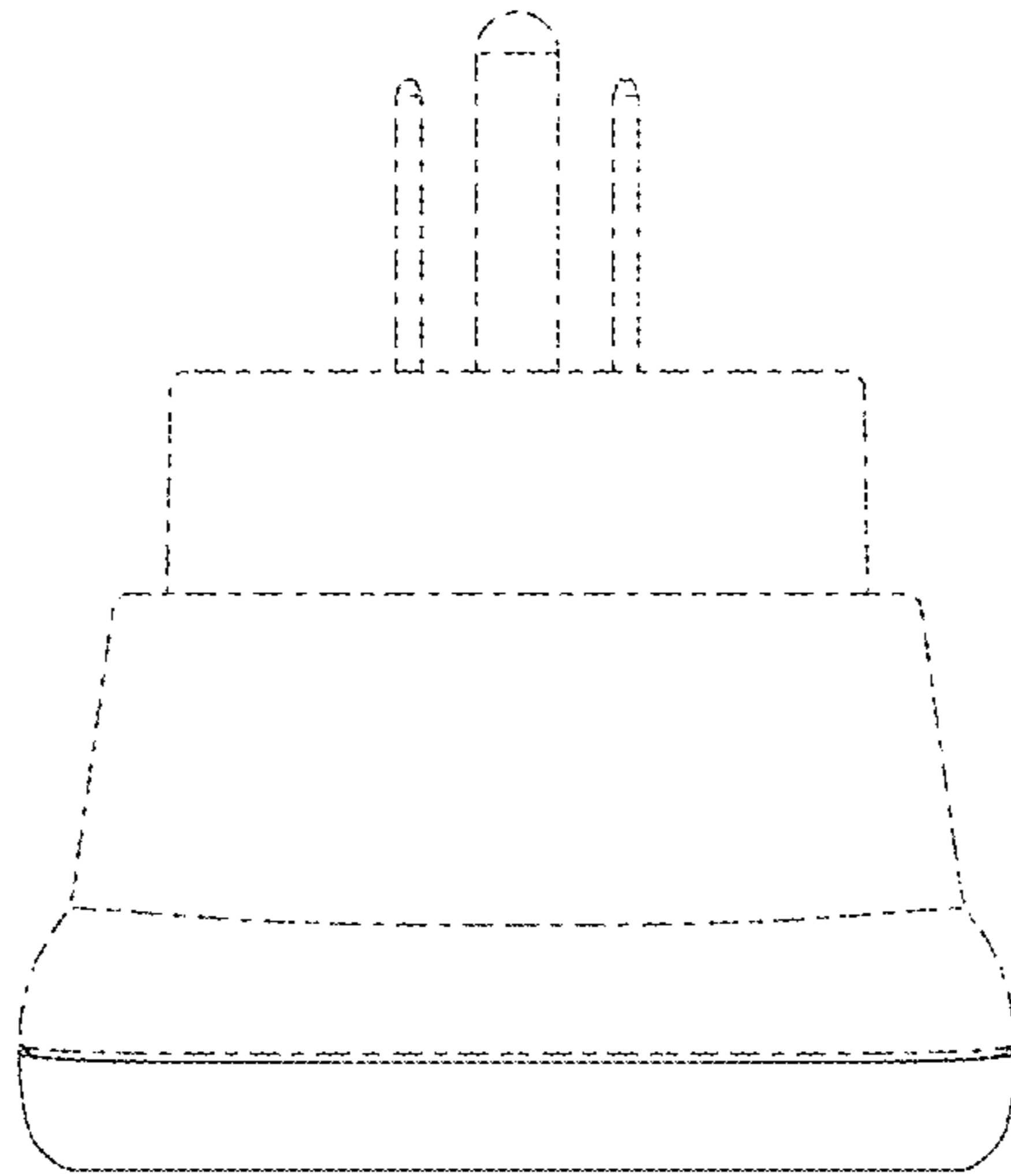


Fig. 2

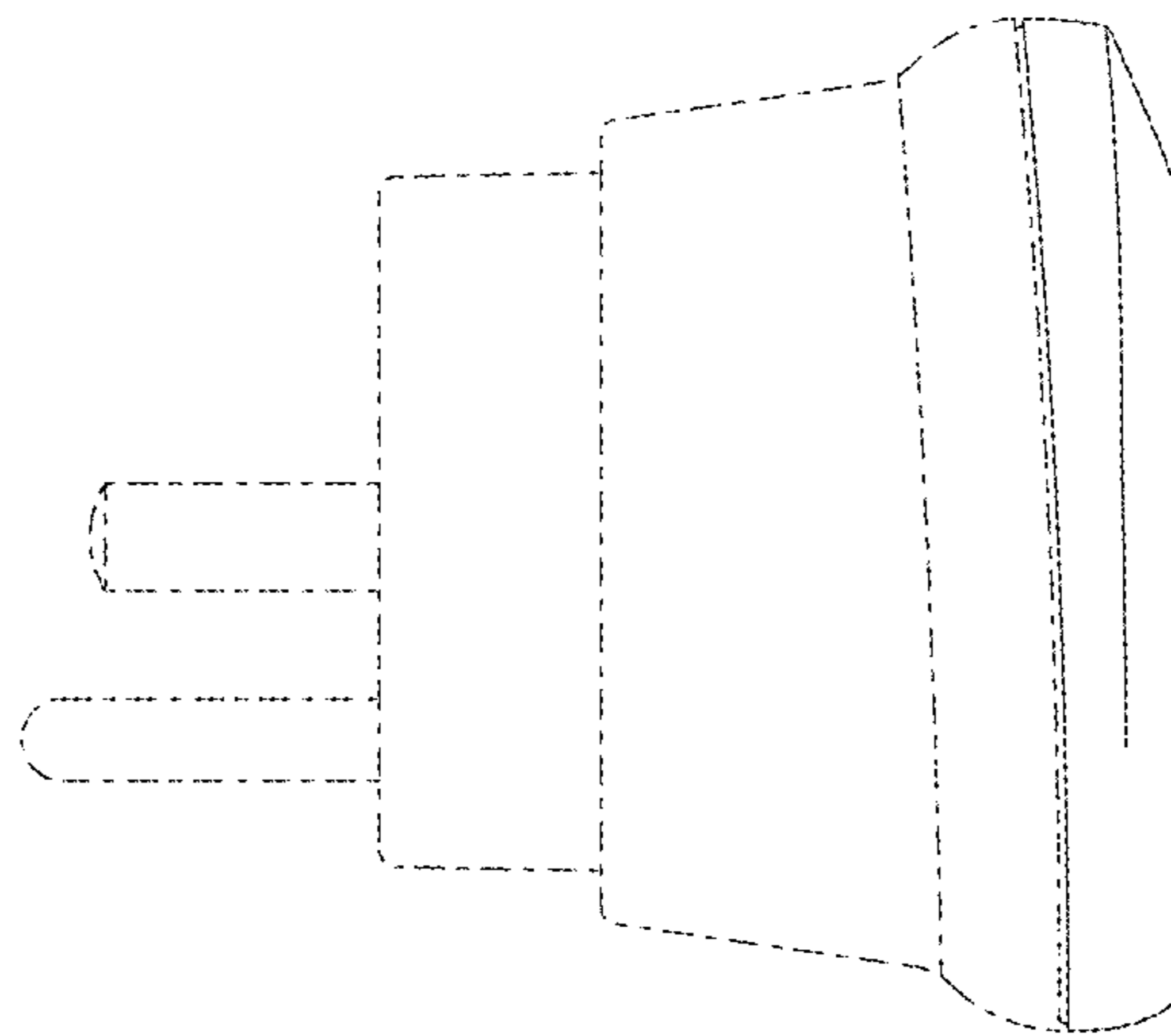


Fig. 3

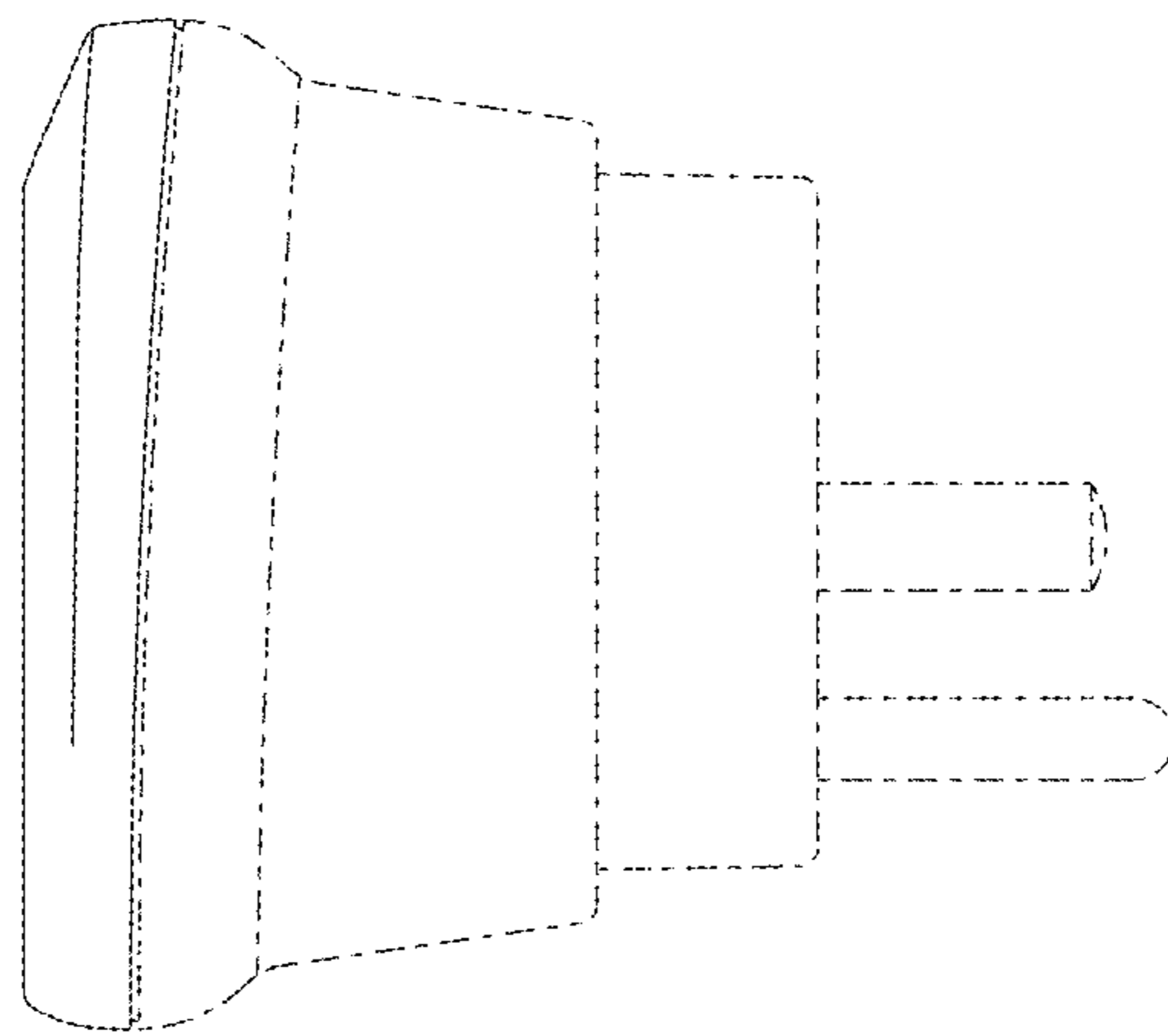


Fig. 4

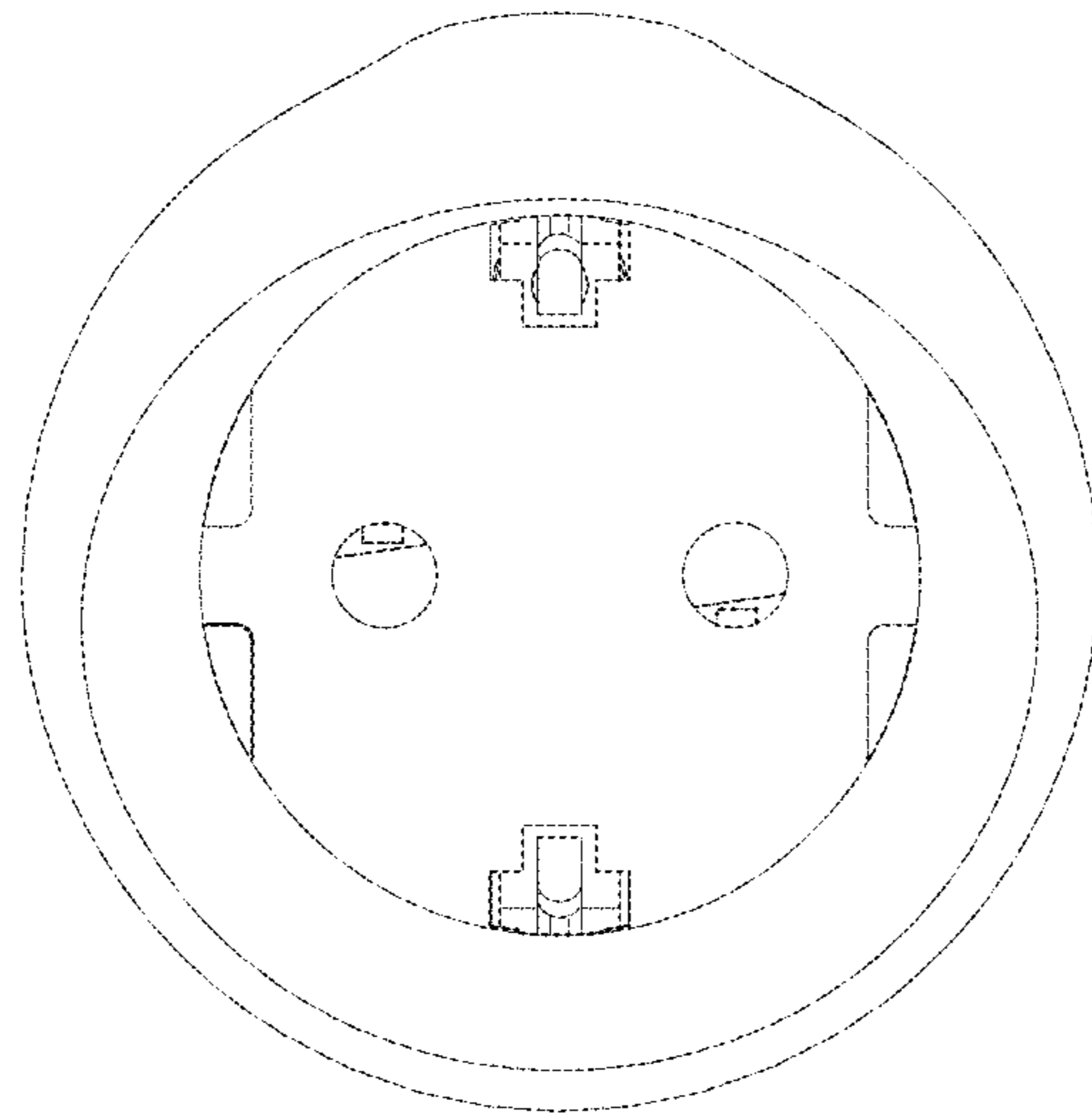


Fig. 5

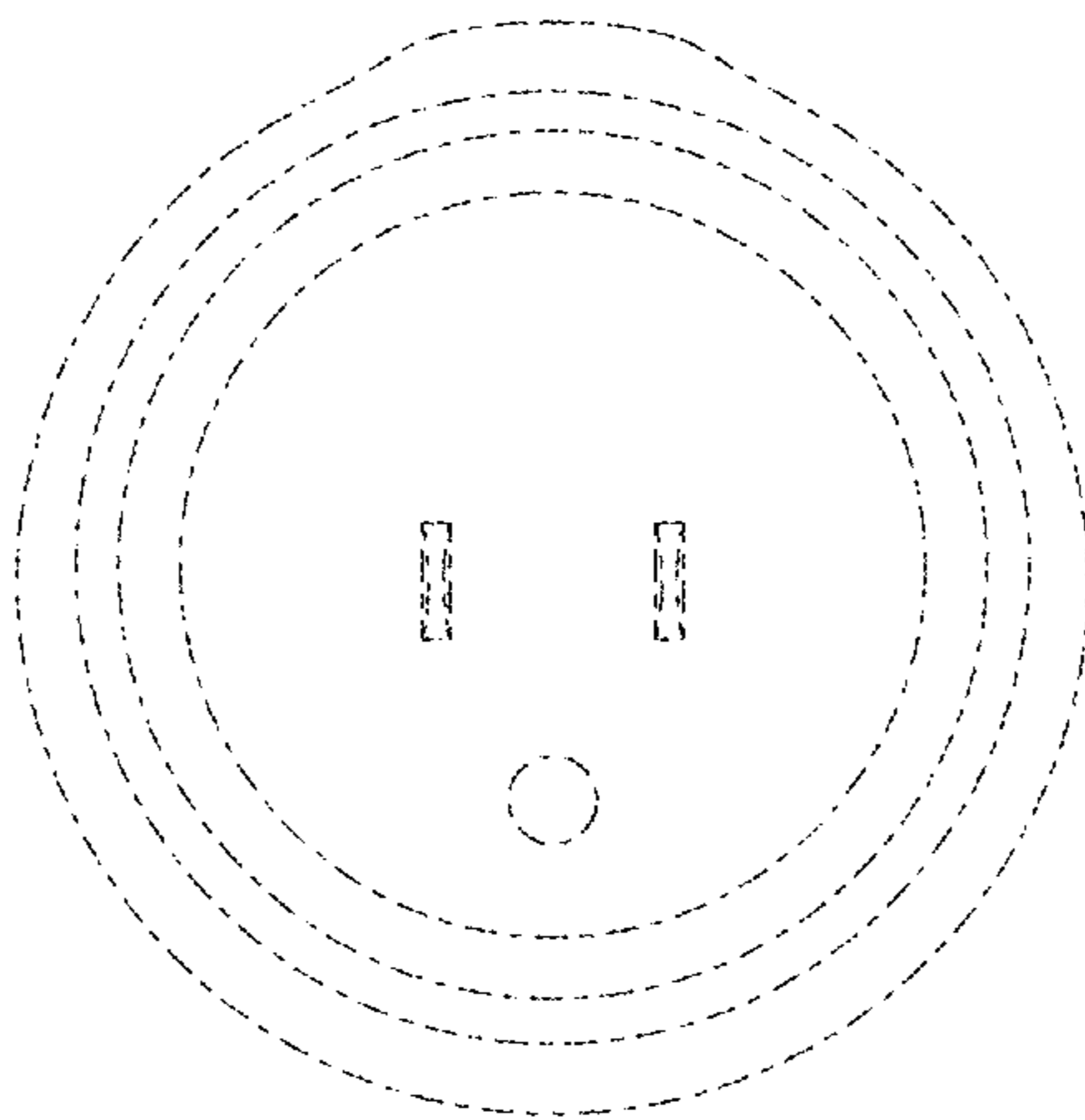


Fig. 6



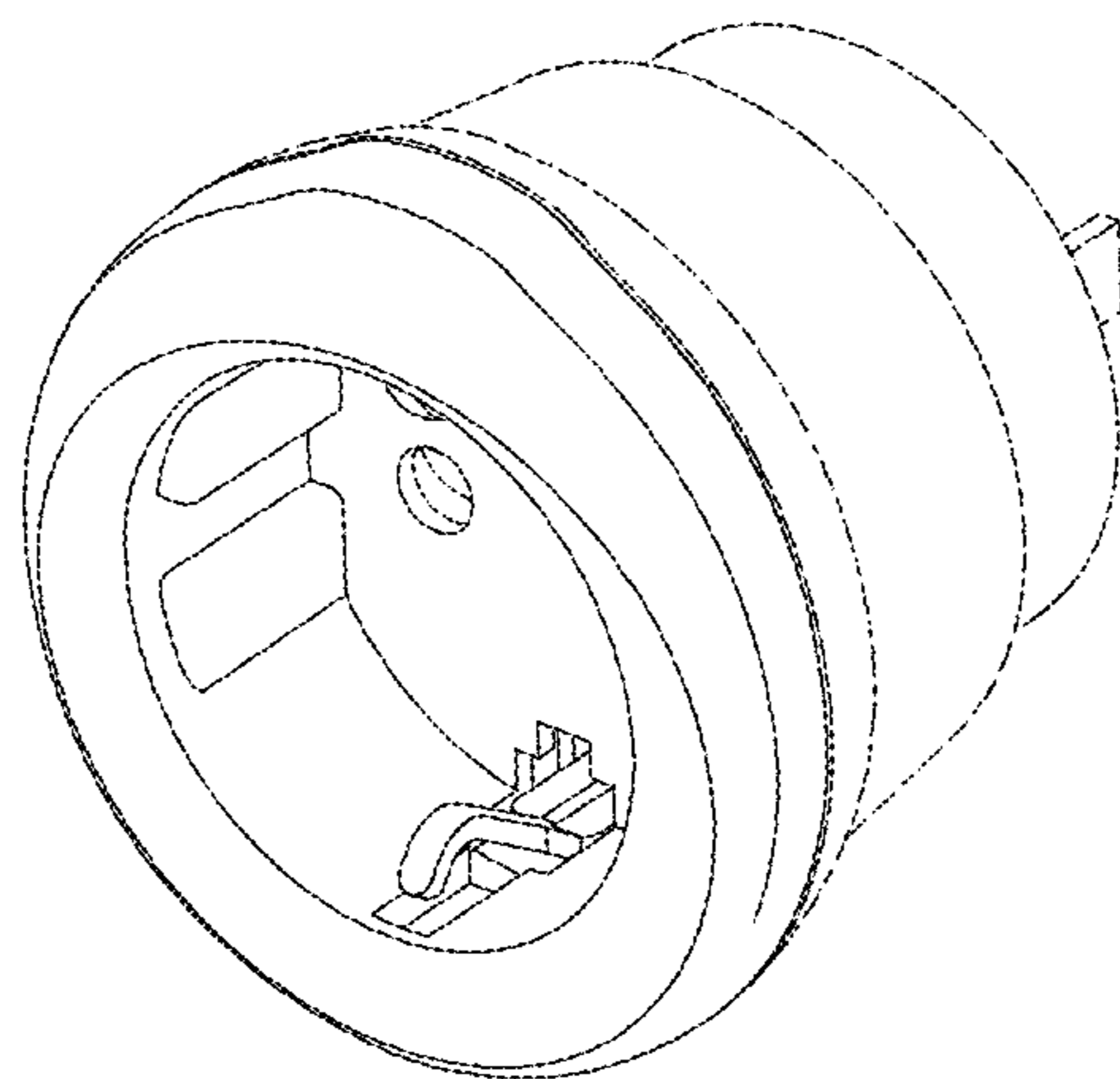


Fig. 7

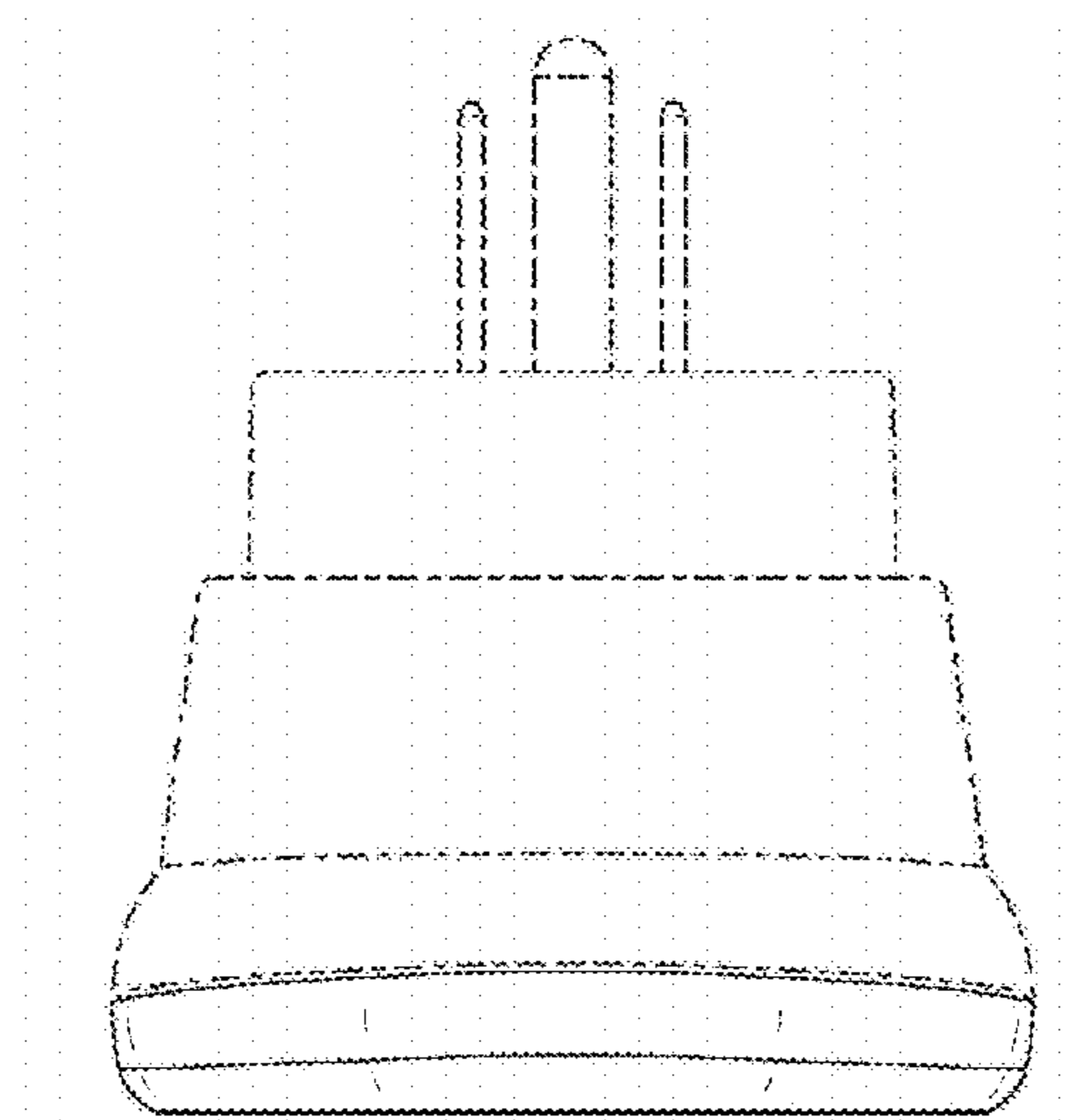


Fig. 8

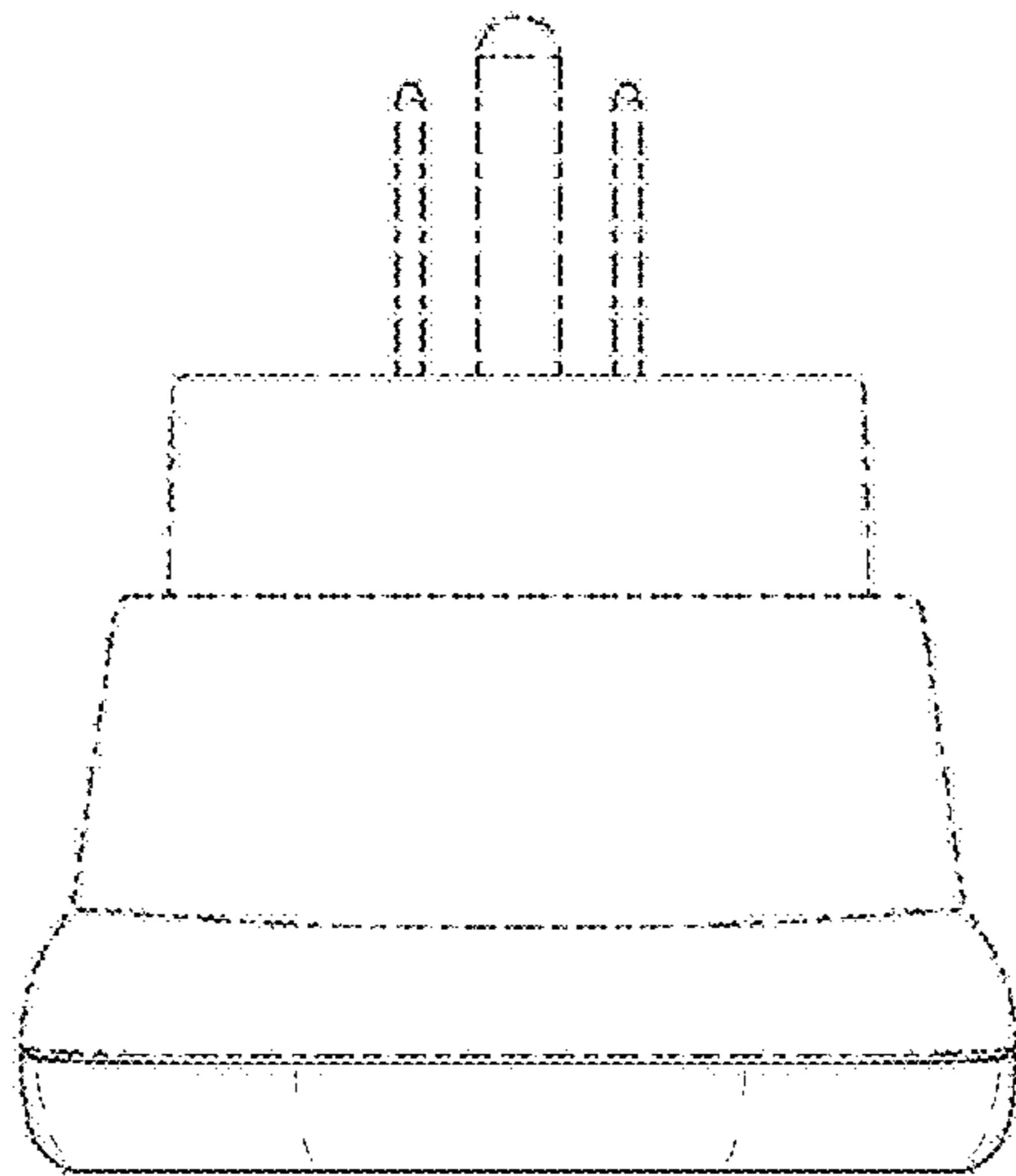


Fig. 9

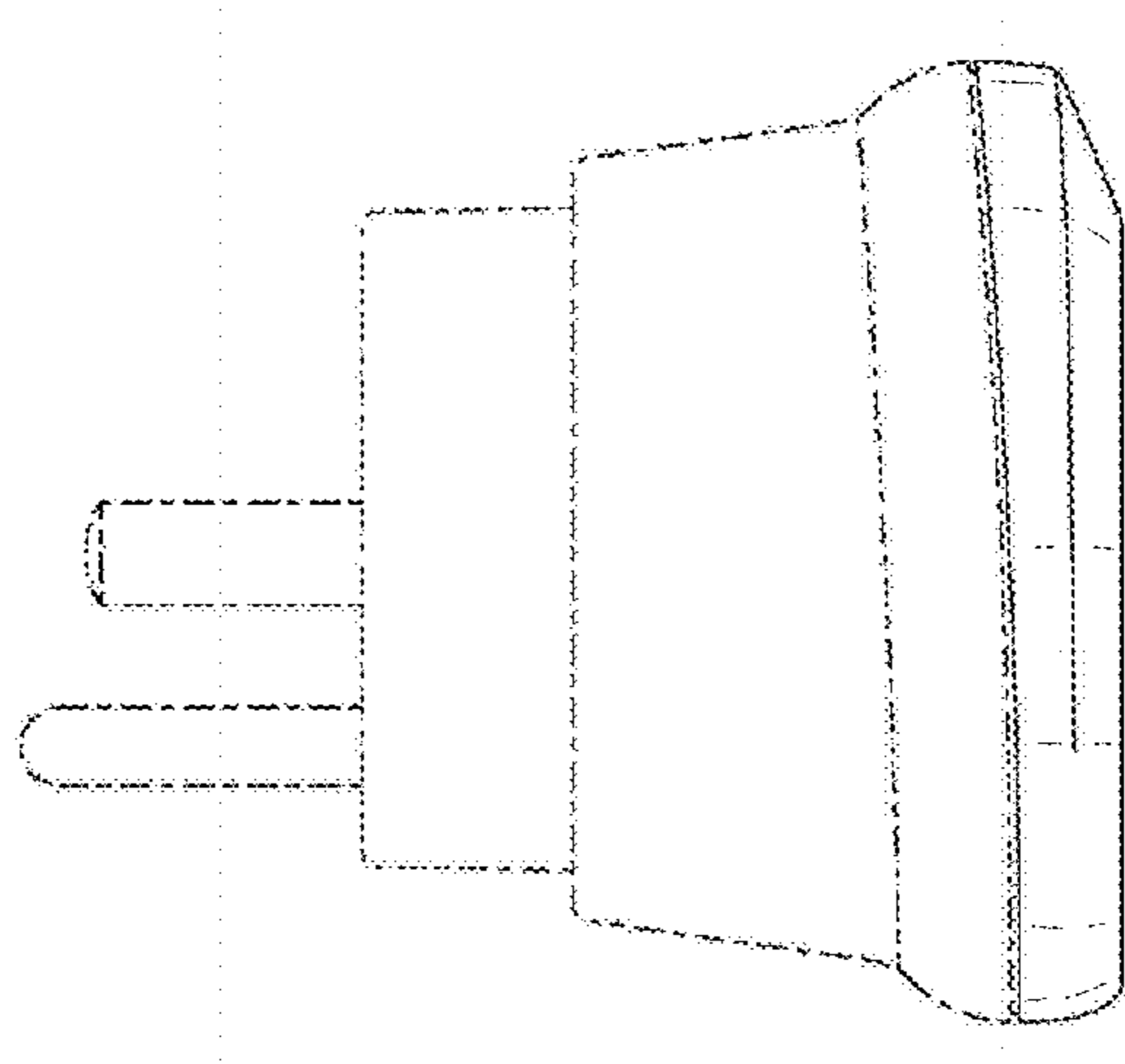


Fig. 10

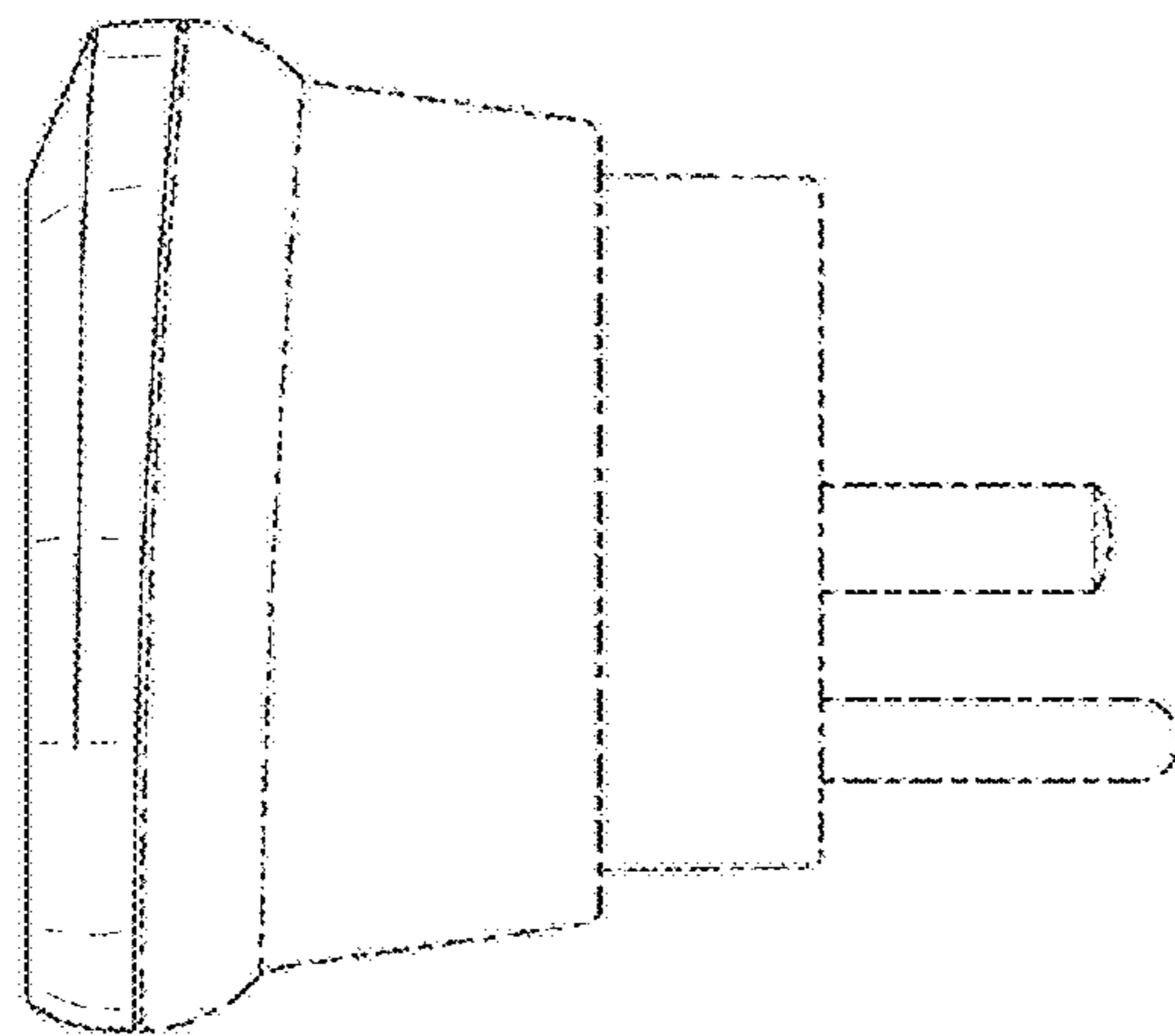


Fig. 11

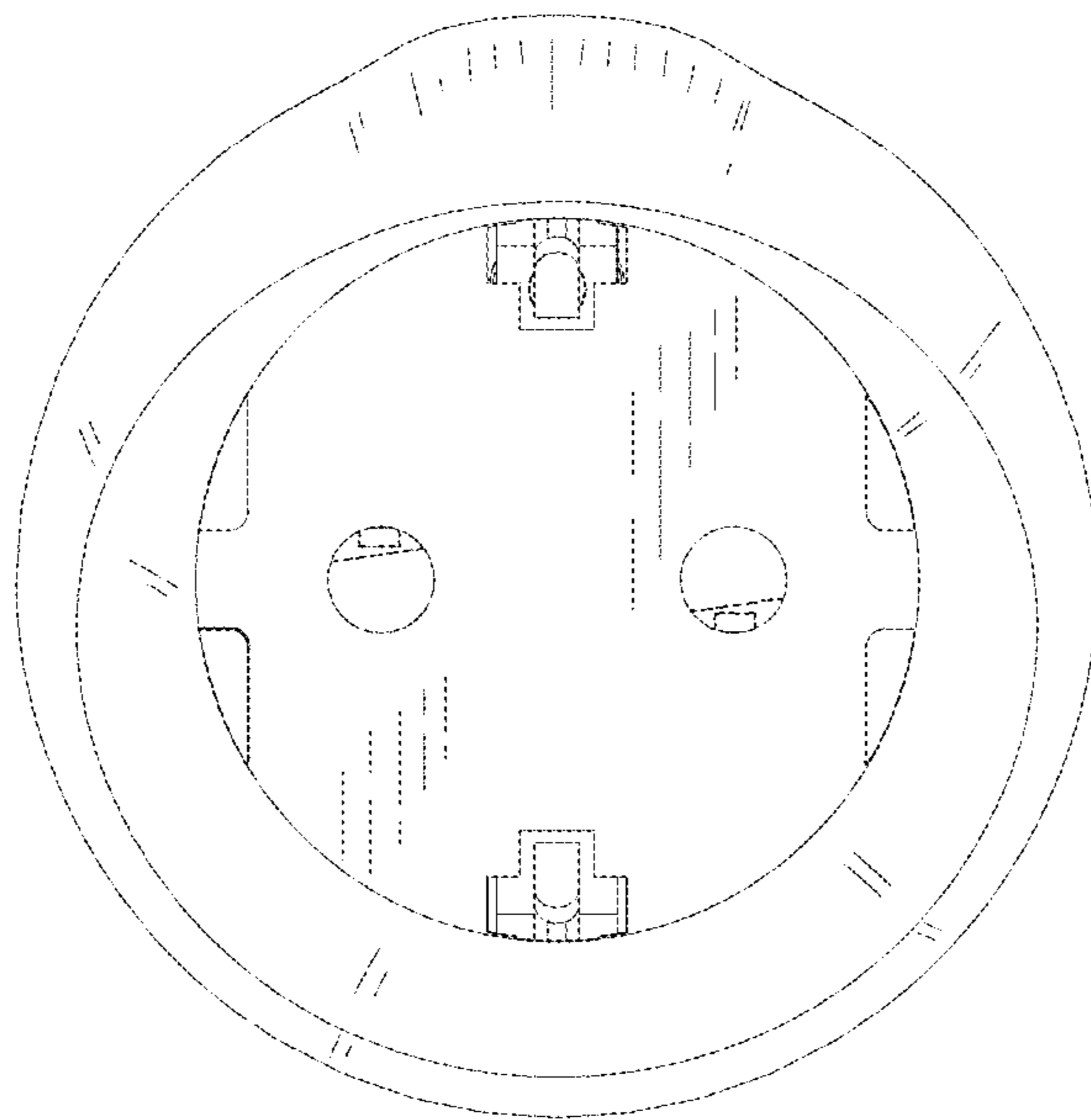


Fig. 12

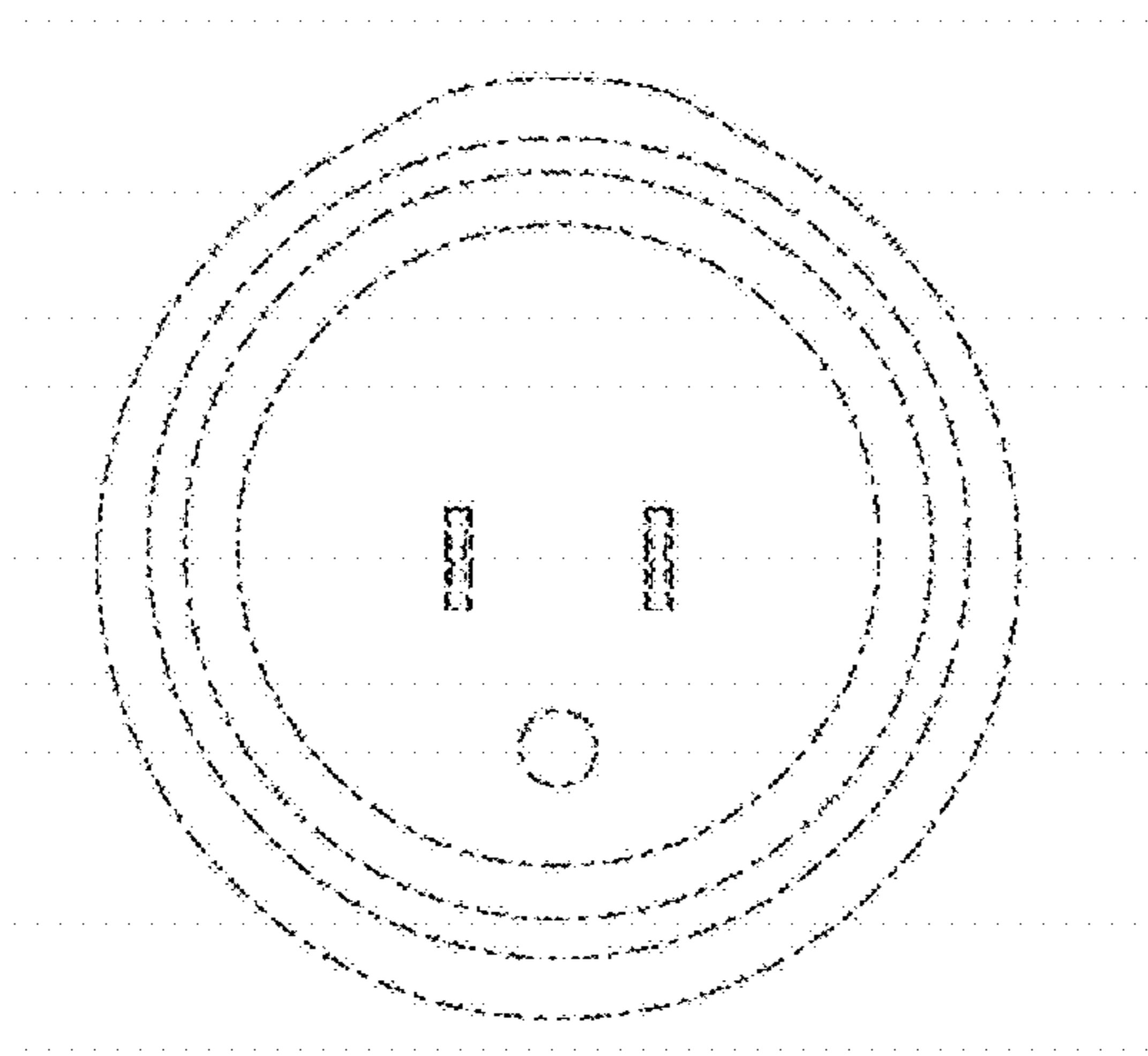


Fig. 13

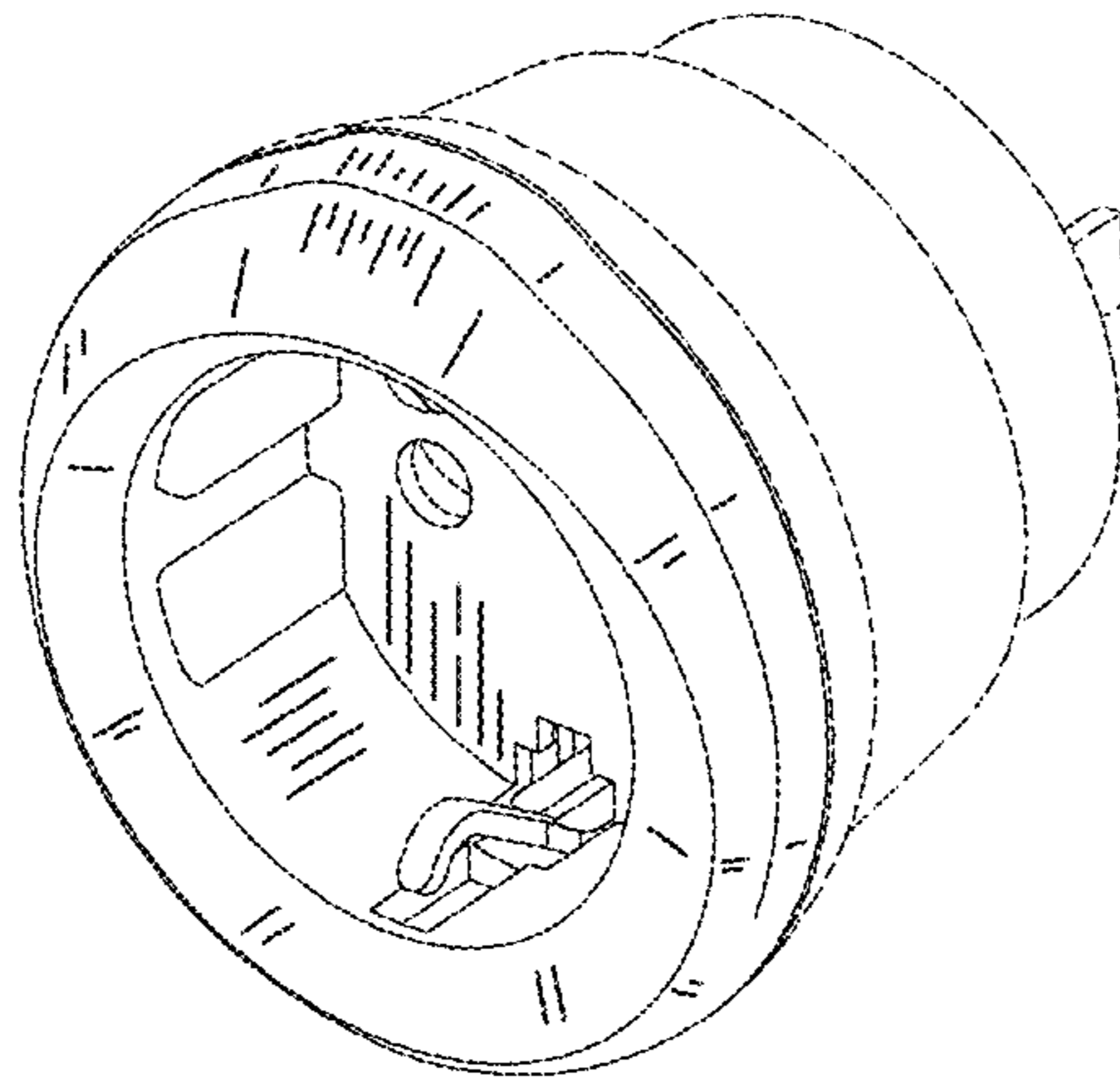


Fig. 14