



US00D818962S

(12) **United States Design Patent** (10) **Patent No.:** **US D818,962 S**  
**Ramanna et al.** (45) **Date of Patent:** **\*\* May 29, 2018**

(54) **CONNECTOR SHELL**  
(71) Applicant: **Molex, LLC**, Lisle, IL (US)  
(72) Inventors: **Nrupathunga Chakravarthy Somanathapura Ramanna**, Bangalore (IN); **KrishnaPrasad Somanath**, Bangalore (IN); **Michael Gonzalez**, Lisle, IL (US)  
(73) Assignee: **Molex, LLC**, Lisle, IL (US)  
(\*\*) Term: **15 Years**  
(21) Appl. No.: **29/595,869**

D385,849 S 11/1997 Mathews et al.  
5,685,731 A 11/1997 Lin  
5,762,520 A 6/1998 Martin  
5,908,327 A 6/1999 Tsuji et al.  
5,928,038 A 7/1999 Berg et al.  
7,217,161 B1 5/2007 Tyler et al.  
D547,722 S \* 7/2007 Harano ..... D13/133  
D555,593 S \* 11/2007 Harano ..... D13/133  
D626,068 S 10/2010 Giefers et al.  
D678,838 S 3/2013 Henrink et al.  
D682,793 S \* 5/2013 Igelmund ..... D13/156  
D691,560 S 10/2013 Wang  
8,678,846 B2 3/2014 Hitchcock et al.  
D714,724 S 10/2014 Vogelmann  
D774,466 S \* 12/2016 Corona ..... D13/147  
D798,237 S 9/2017 Peng  
2010/0105238 A1\* 4/2010 Good ..... H01R 13/639  
439/357

(22) Filed: **Mar. 2, 2017**  
(51) **LOC (11) Cl.** ..... **13-03**  
(52) **U.S. Cl.**  
USPC ..... **D13/133**  
(58) **Field of Classification Search**  
USPC ..... D13/107, 110, 112, 118, 123, 133,  
D13/145-147, 149, 151, 154, 156, 173,  
D13/184, 199  
CPC ..... H01R 13/00; H01R 13/40; H01R 13/50;  
H01R 13/52; H01R 13/62; H01R 13/64;  
H01R 13/405; H01R 13/58; H01R 13/63;  
H01R 13/639; H01R 13/659; H01R  
13/70; H01R 24/64  
See application file for complete search history.

(Continued)

**FOREIGN PATENT DOCUMENTS**

WO 2008/148748 A1 12/2008  
*Primary Examiner* — Cathron C Brooks  
*Assistant Examiner* — Shawn T Gingrich  
(74) *Attorney, Agent, or Firm* — Banner & Witcoff, Ltd.

(57) **CLAIM**

The ornamental design for connector shell, as shown and described.

**DESCRIPTION**

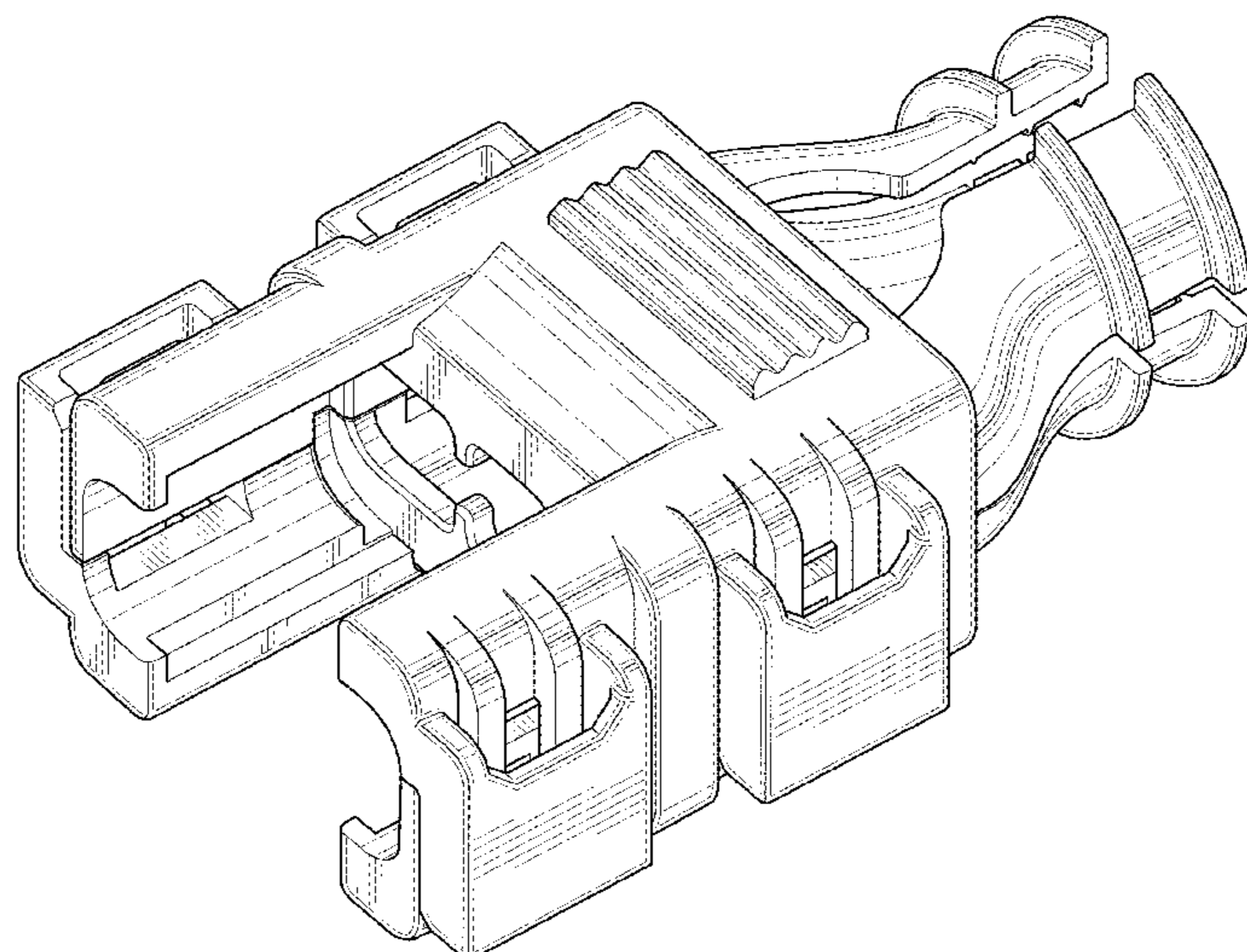
FIG. 1 is a perspective view of connector shell showing our new design;  
FIG. 2 is a top view thereof;  
FIG. 3 is a bottom view thereof;  
FIG. 4 is a right side view thereof;  
FIG. 5 is a left side view thereof;  
FIG. 6 is a rear view thereof; and,  
FIG. 7 is a front view thereof.

(56) **References Cited**

**U.S. PATENT DOCUMENTS**

3,622,942 A 11/1971 Rynk  
4,029,896 A 6/1977 Skinner  
4,108,527 A 8/1978 Douty et al.  
D251,906 S \* 5/1979 Frantz ..... D13/147  
4,986,766 A 1/1991 Leonard et al.  
D322,954 S 1/1992 Avramovich  
5,391,092 A 2/1995 Sumida  
D379,177 S \* 5/1997 Chu ..... D13/156

**1 Claim, 7 Drawing Sheets**



(56)

**References Cited**

U.S. PATENT DOCUMENTS

2013/0109225 A1\* 5/2013 Liu ..... H01R 24/64  
439/492  
2013/0130534 A1\* 5/2013 Ohkuma ..... H01R 12/7052  
439/345

\* cited by examiner

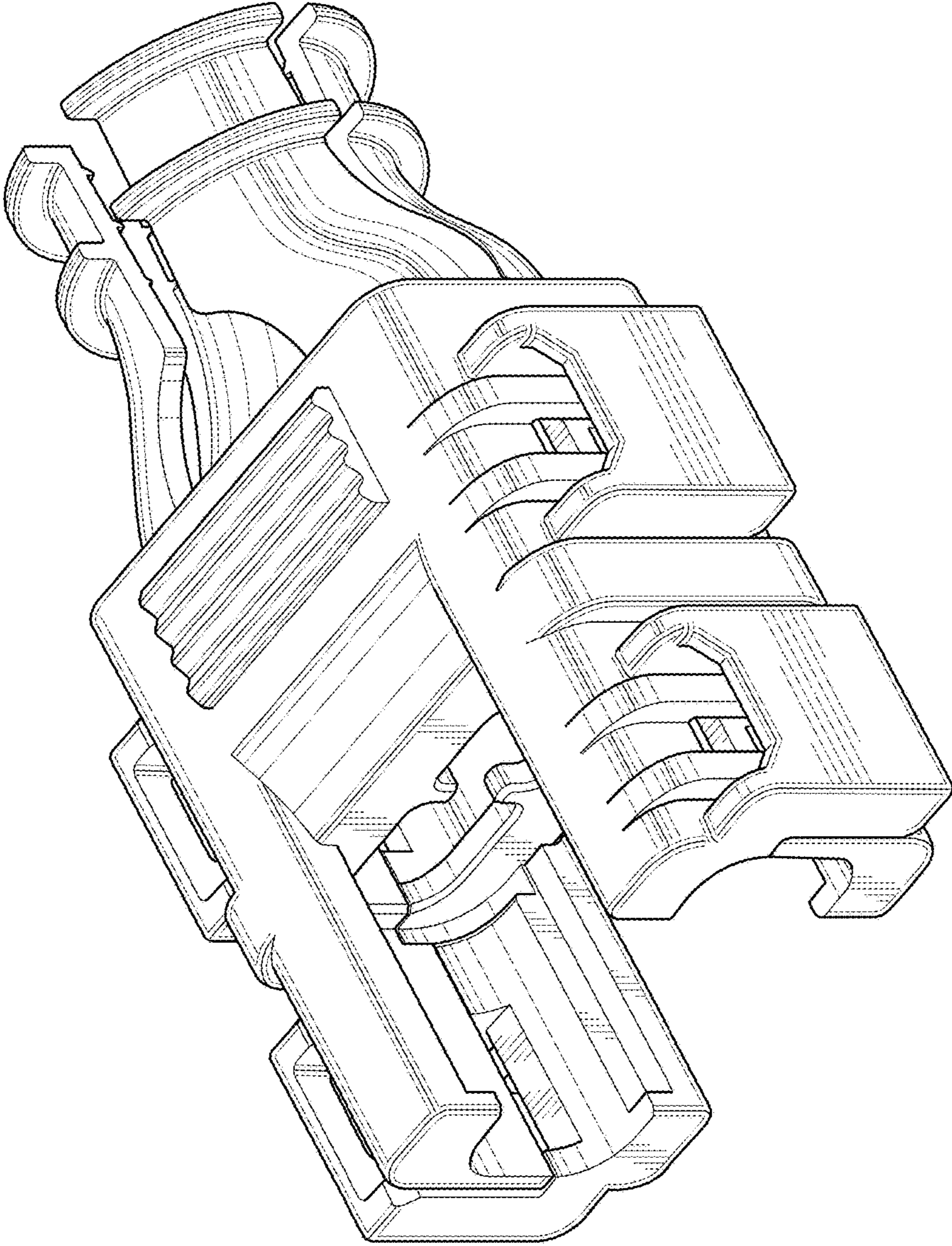


FIG. 1

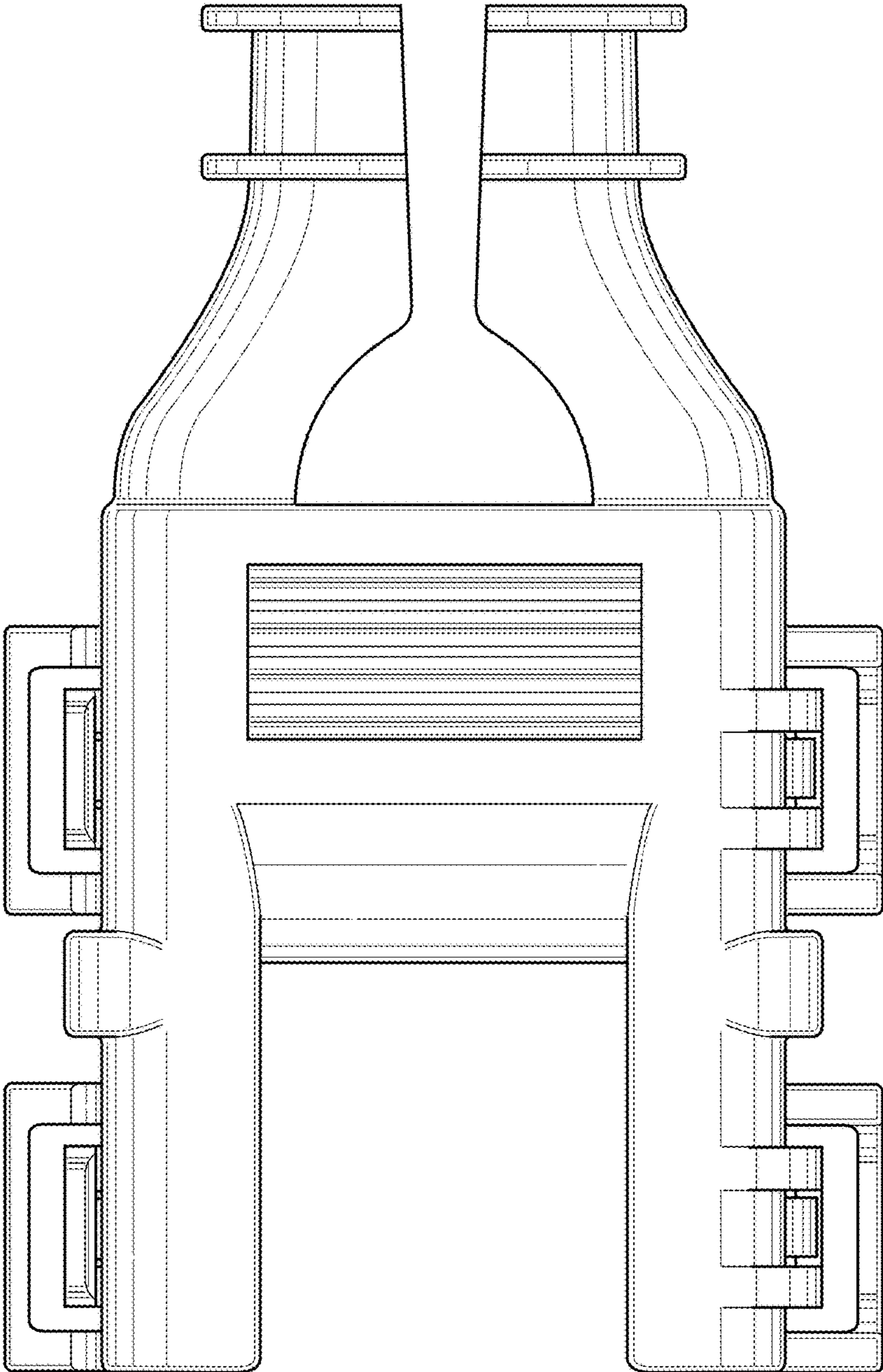


FIG. 2

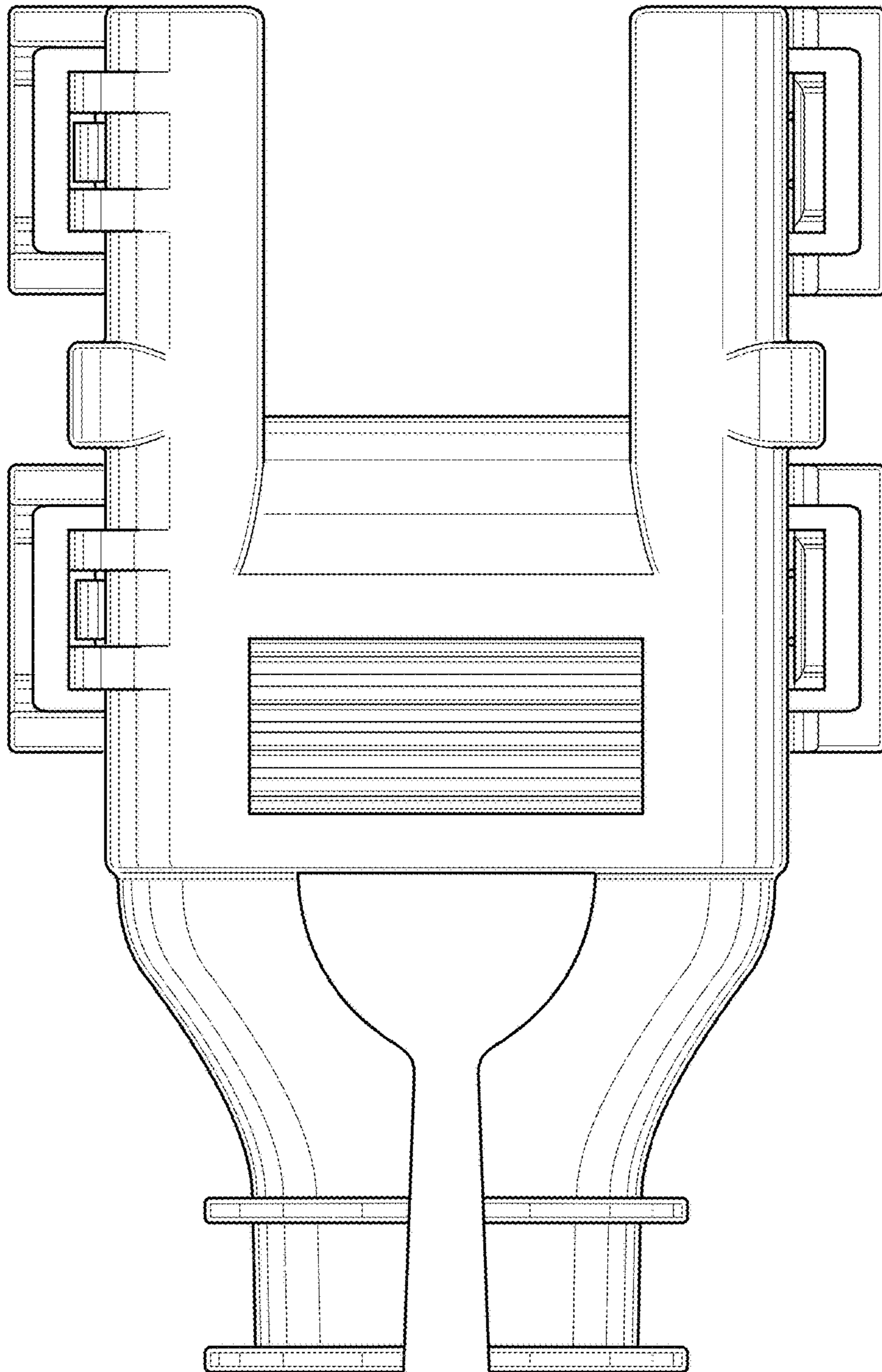


FIG. 3

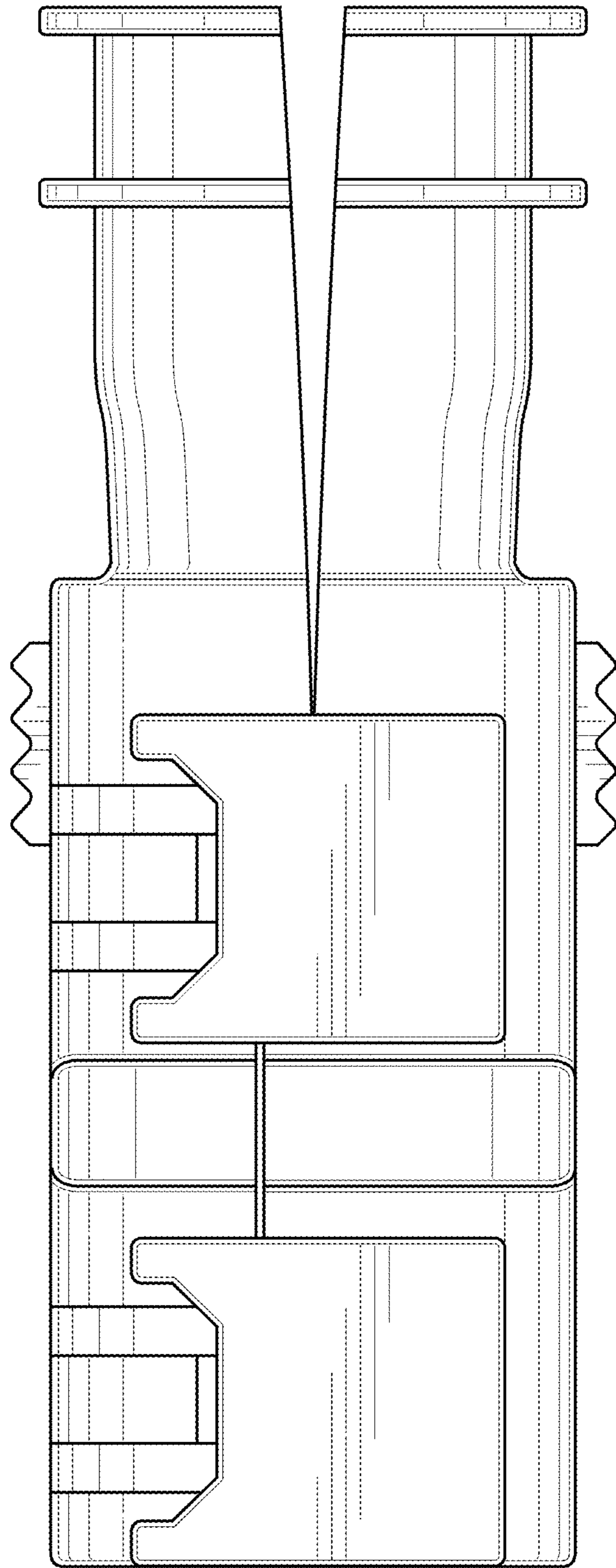


FIG. 4

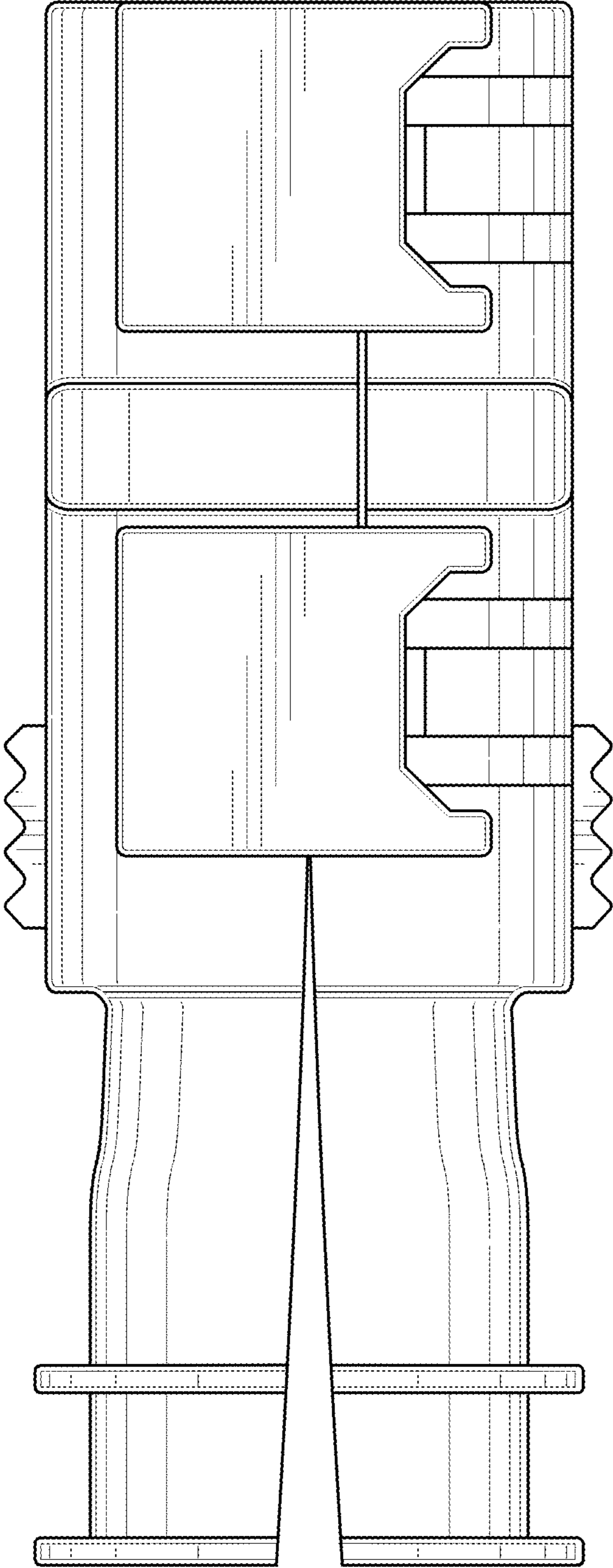


FIG. 5

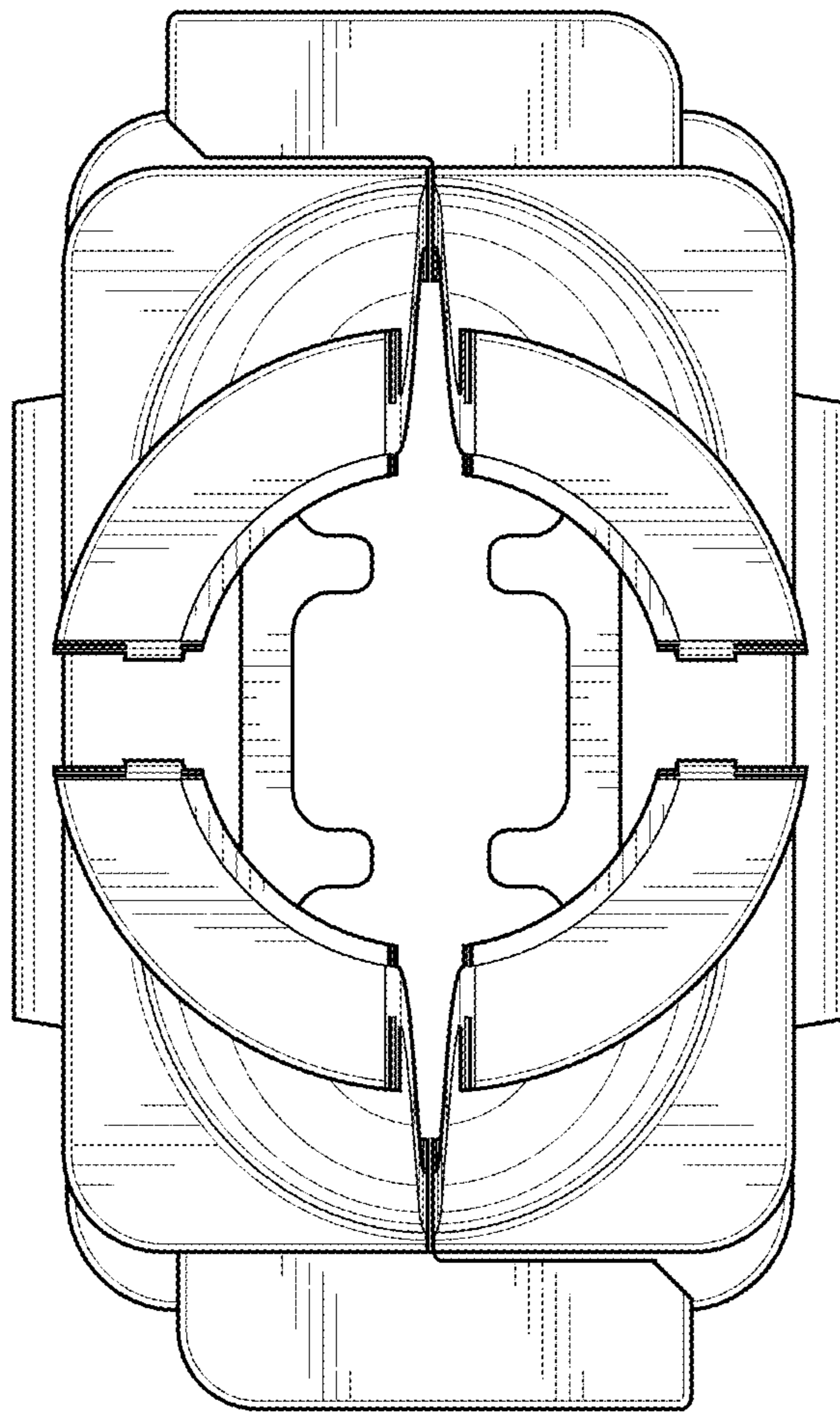


FIG. 6



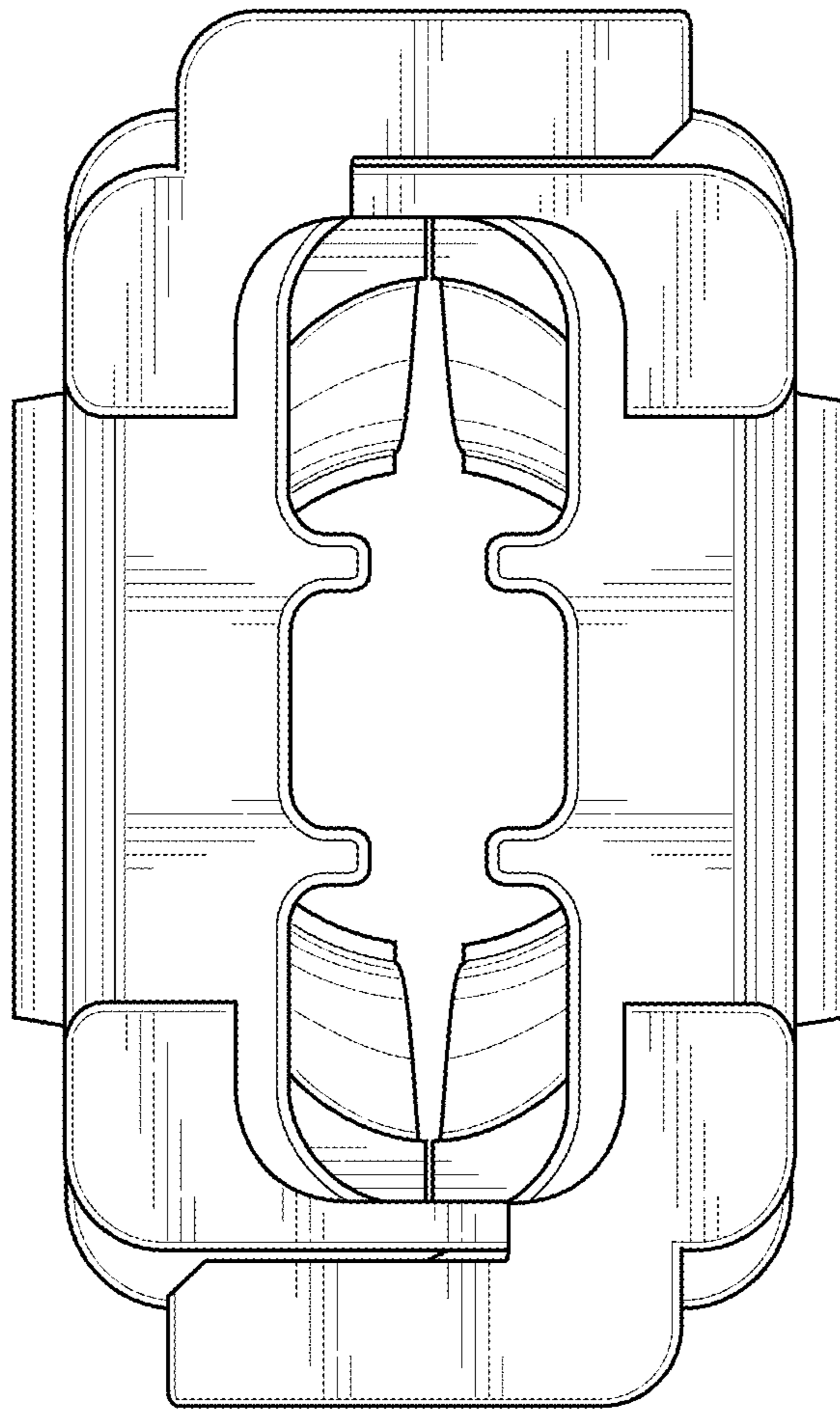


FIG. 7