



US00D818960S

(12) **United States Design Patent**
Yamaguchi

(10) **Patent No.:** **US D818,960 S**

(45) **Date of Patent:** **** May 29, 2018**

(54) **INSULATION UNIT OF SEMICONDUCTOR
MANUFACTURING APPARATUS**

D360,399 S * 7/1995 Tillery D13/132
D531,132 S * 10/2006 McCord D13/158
D532,752 S * 11/2006 McCord D13/158

(Continued)

(71) Applicant: **Hitachi Kokusai Electric Inc.**, Tokyo
(JP)

(72) Inventor: **Takatomo Yamaguchi**, Toyama (JP)

(73) Assignee: **HITACHI KOKUSAI ELECTRIC
INC.**, Tokyo (JP)

(**) Term: **15 Years**

(21) Appl. No.: **29/572,554**

(22) Filed: **Jul. 28, 2016**

(30) **Foreign Application Priority Data**

Feb. 10, 2016 (JP) 2016-002842

(51) **LOC (11) Cl.** **13-03**

(52) **U.S. Cl.**
USPC **D13/129**

(58) **Field of Classification Search**
USPC D13/123-132, 182, 184, 199; D15/138,
D15/140, 144.1

CPC F27B 17/0025; F27B 17/005; F27B
17/0058; F27B 2017/0091; G01R 1/40;
G01R 1/42; G01R 1/44; H01L 21/31;
H01L 21/3105; H01L 21/311; H01L
21/3115

See application file for complete search history.

(56) **References Cited**

U.S. PATENT DOCUMENTS

1,775,530 A * 9/1930 Jansson H01B 17/301
174/139
2,884,479 A * 4/1959 Fiero H01B 17/14
174/141 R
D199,844 S * 12/1964 Hawkins D13/159
D216,797 S * 3/1970 Bowen D13/125
3,612,962 A * 10/1971 Takeda H01G 5/38
334/83
D246,453 S * 11/1977 Chermak D13/125

FOREIGN PATENT DOCUMENTS

CN 302694371 * 12/2013
CN 303319096 * 8/2015

OTHER PUBLICATIONS

PowerEquip Sales Reps. <URL: <http://power-equip-sales-reps.com/hv-insulators.html>> Visited Sep. 12, 2017. High Voltage Insulators.*

Primary Examiner — Thomas Johannes

Assistant Examiner — Lauren McVey

(74) *Attorney, Agent, or Firm* — Fitch, Even, Tabin & Flannery, LLP

(57) **CLAIM**

I claim the ornamental design for an insulation unit of semiconductor manufacturing apparatus, as shown and described.

DESCRIPTION

FIG. 1 is a perspective view of an insulation unit of semiconductor manufacturing apparatus showing my new design;

FIG. 2 is a front elevational view thereof;

FIG. 3 is a rear elevational view thereof;

FIG. 4 is a left side elevational view thereof;

FIG. 5 is a right side elevational view thereof;

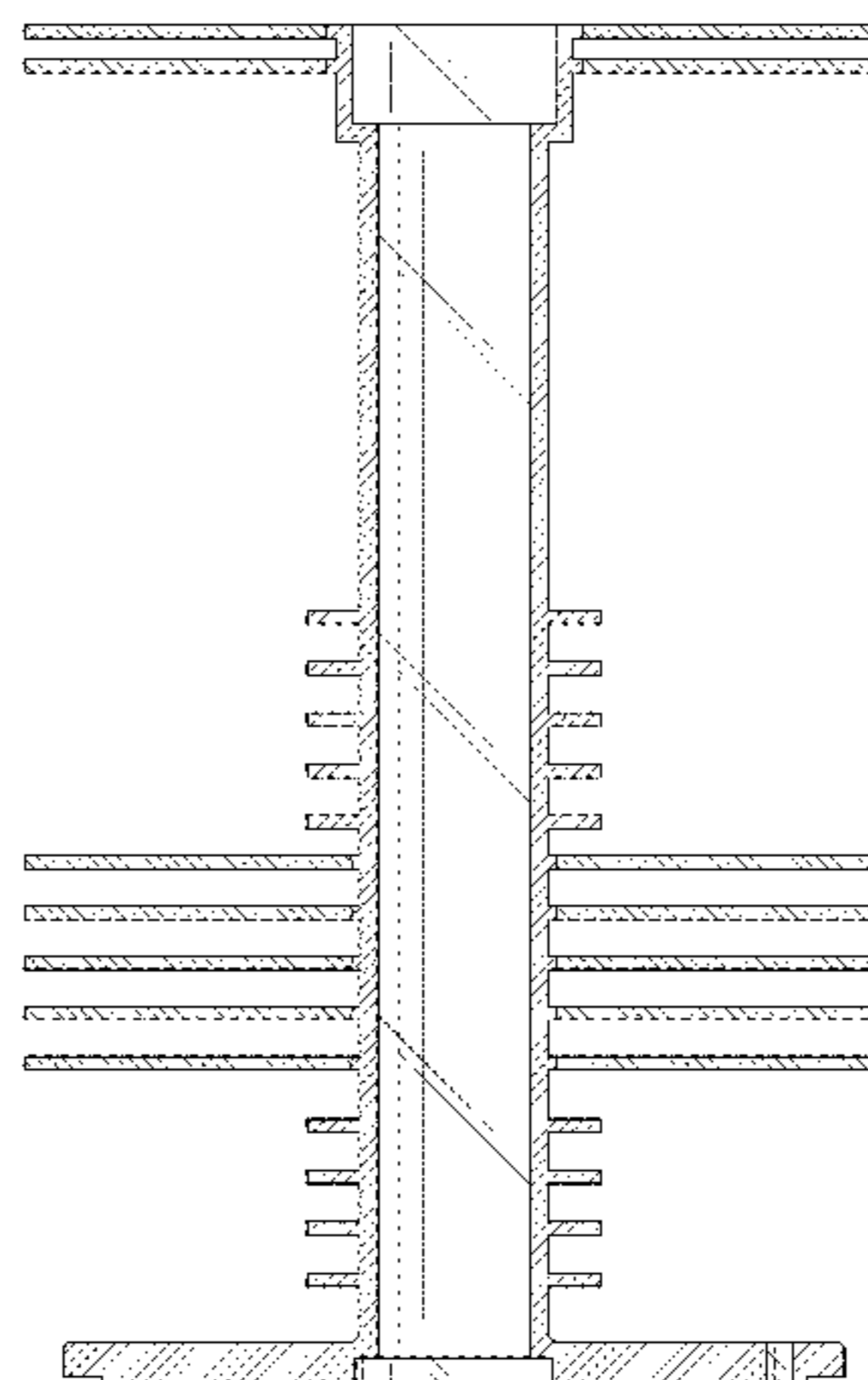
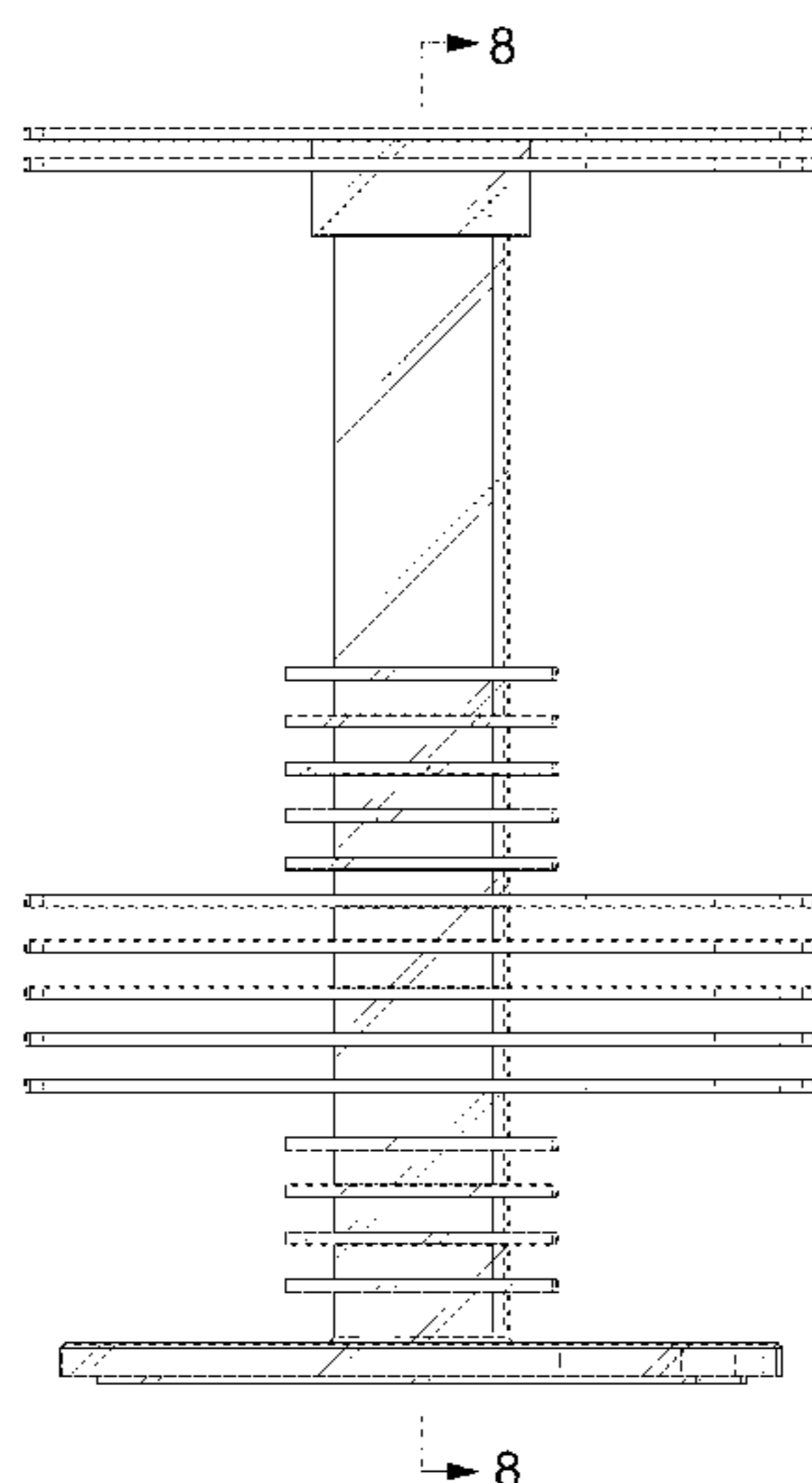
FIG. 6 is a top plan view thereof;

FIG. 7 is a bottom plan view thereof; and,

FIG. 8 is a cross-sectional view thereof taken in the direction of line 8-8 in FIG. 2.

The dot-dash broken lines FIG. 2 are for reference purposes only; the broken lines form no part of the claimed design.

1 Claim, 7 Drawing Sheets



(56)

References Cited

U.S. PATENT DOCUMENTS

D742,829 S * 11/2015 Johansson D13/132
D775,075 S * 12/2016 Aishima D13/129
2005/0128662 A1* 6/2005 Rostron H01H 33/166
361/43

* cited by examiner

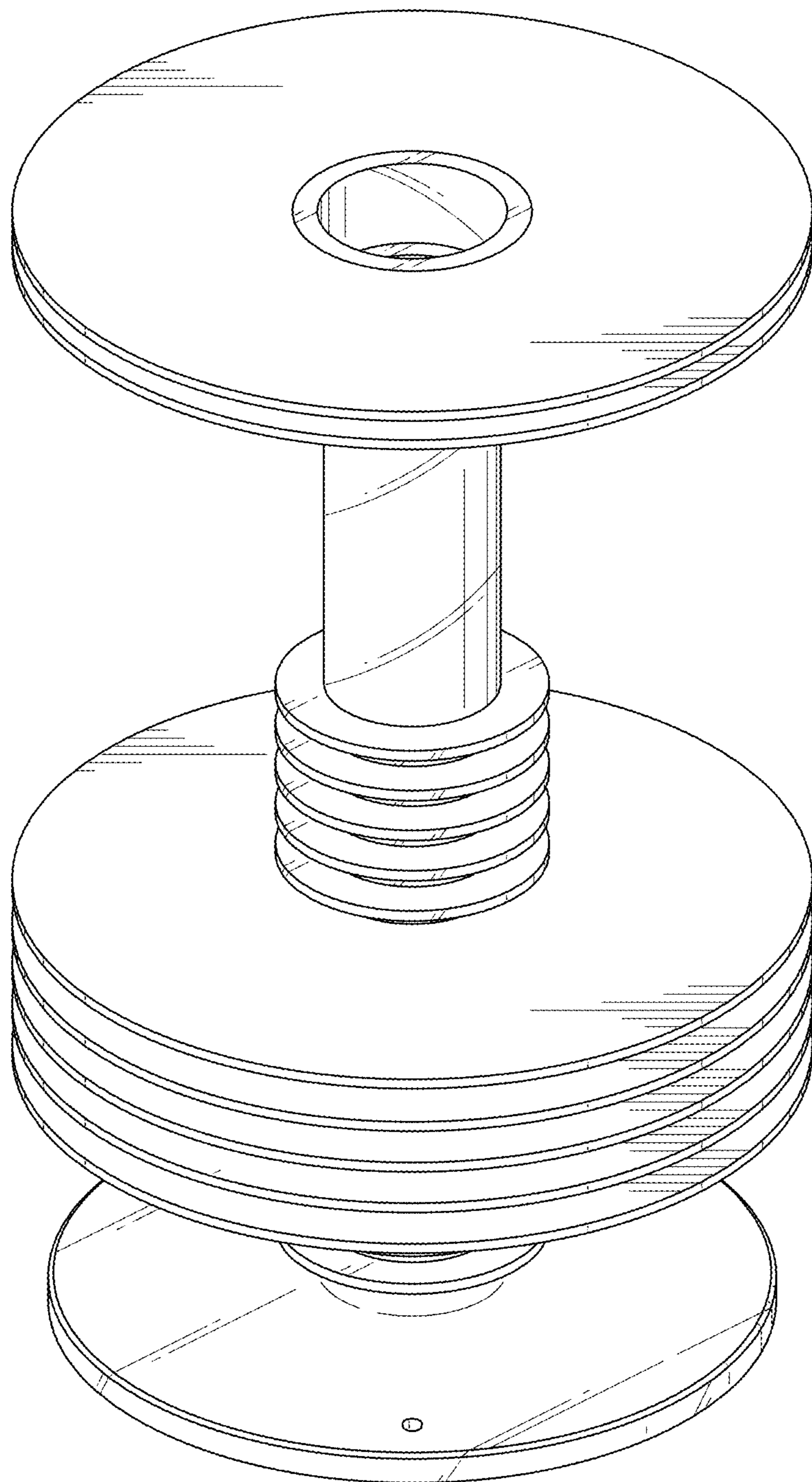


FIG. 1

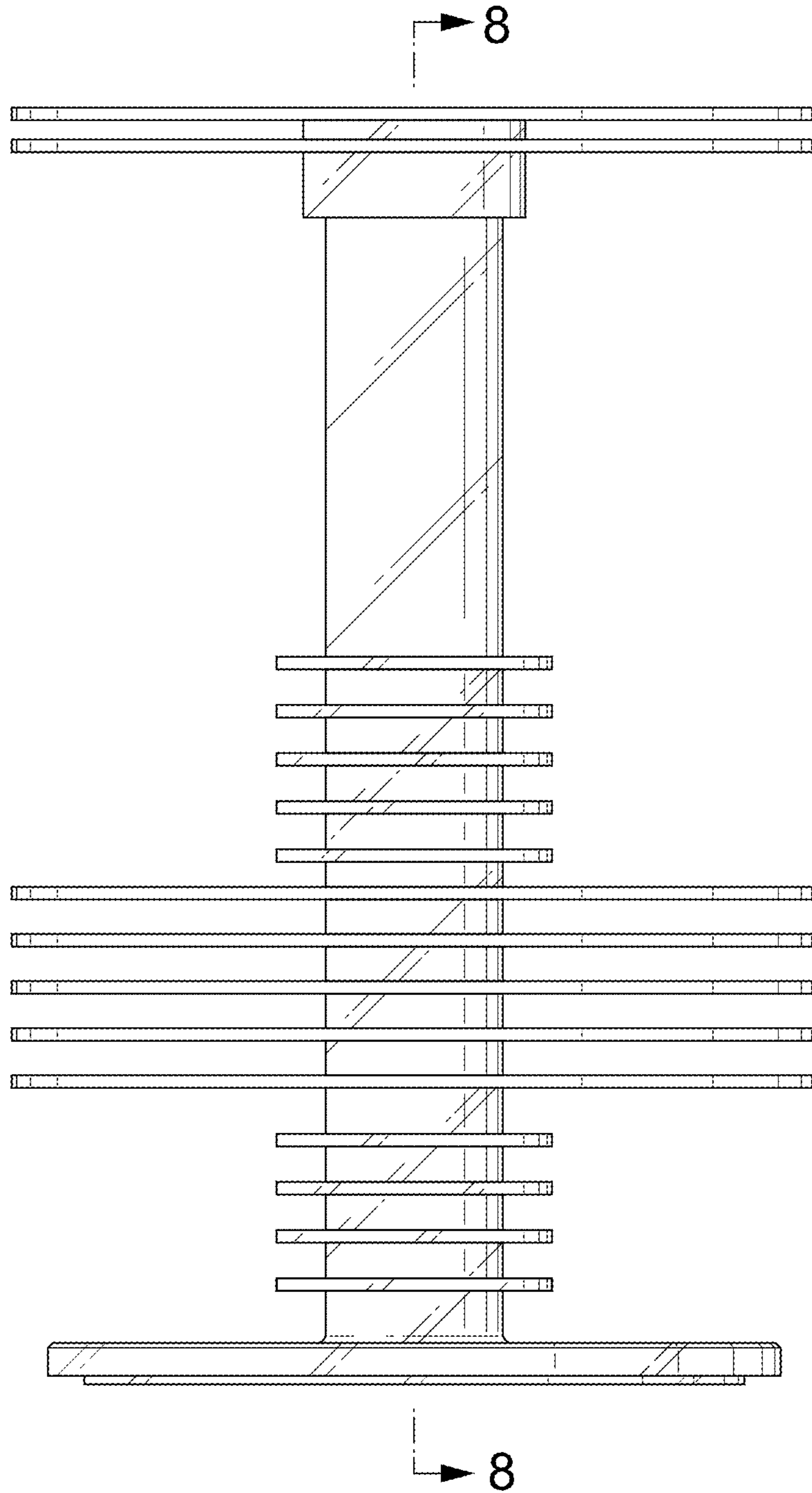


FIG. 2

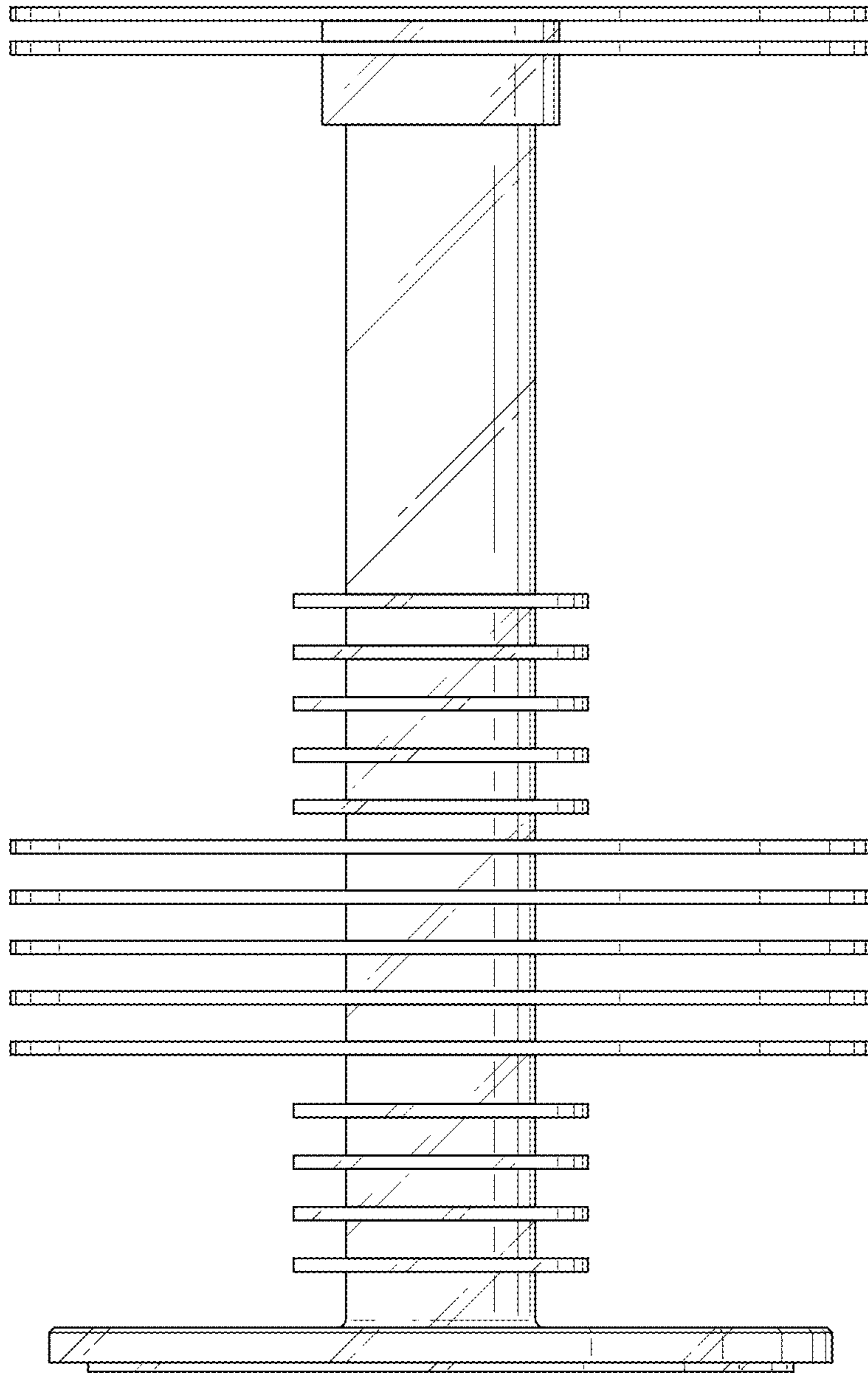


FIG. 3

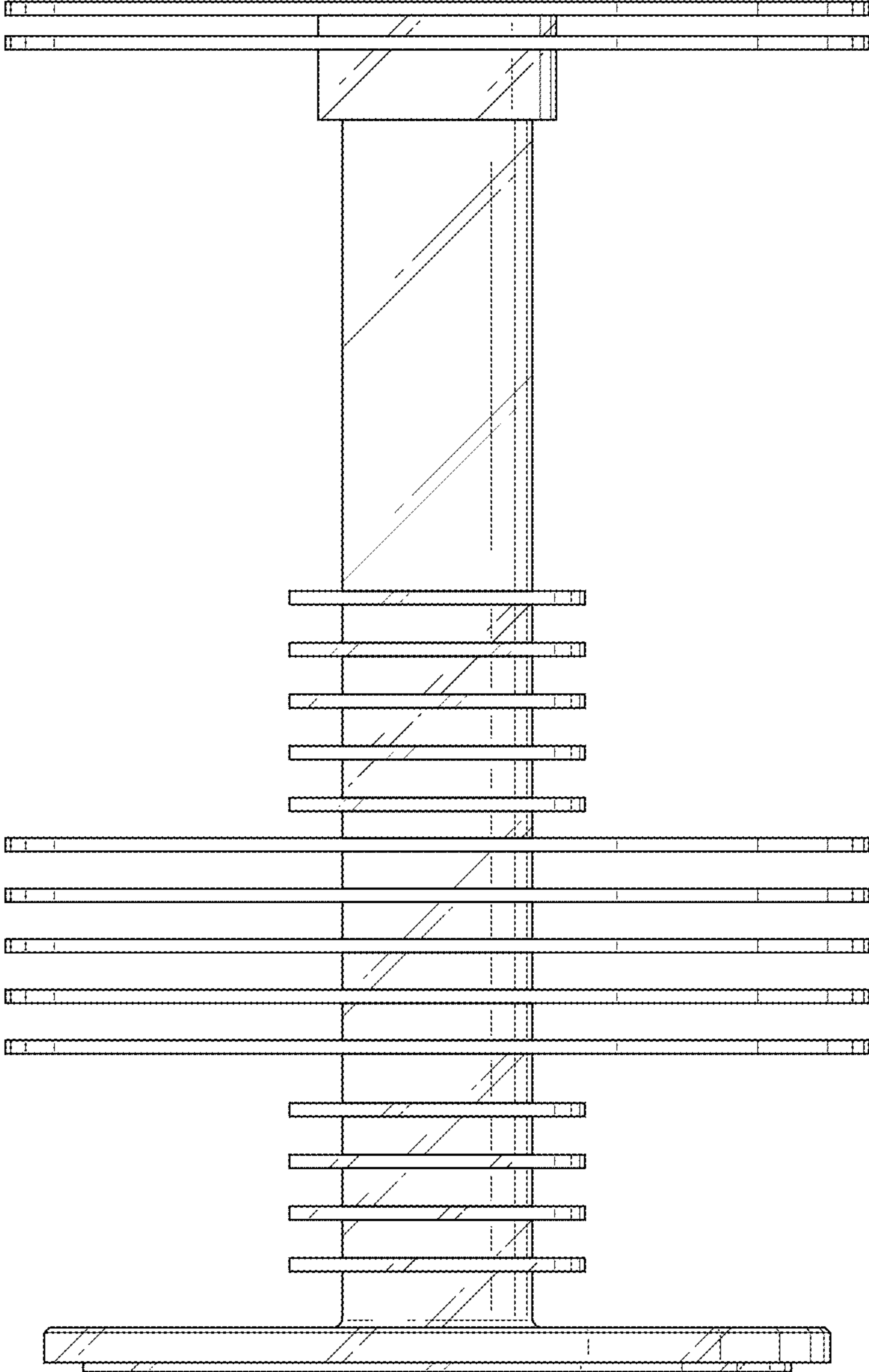


FIG. 4

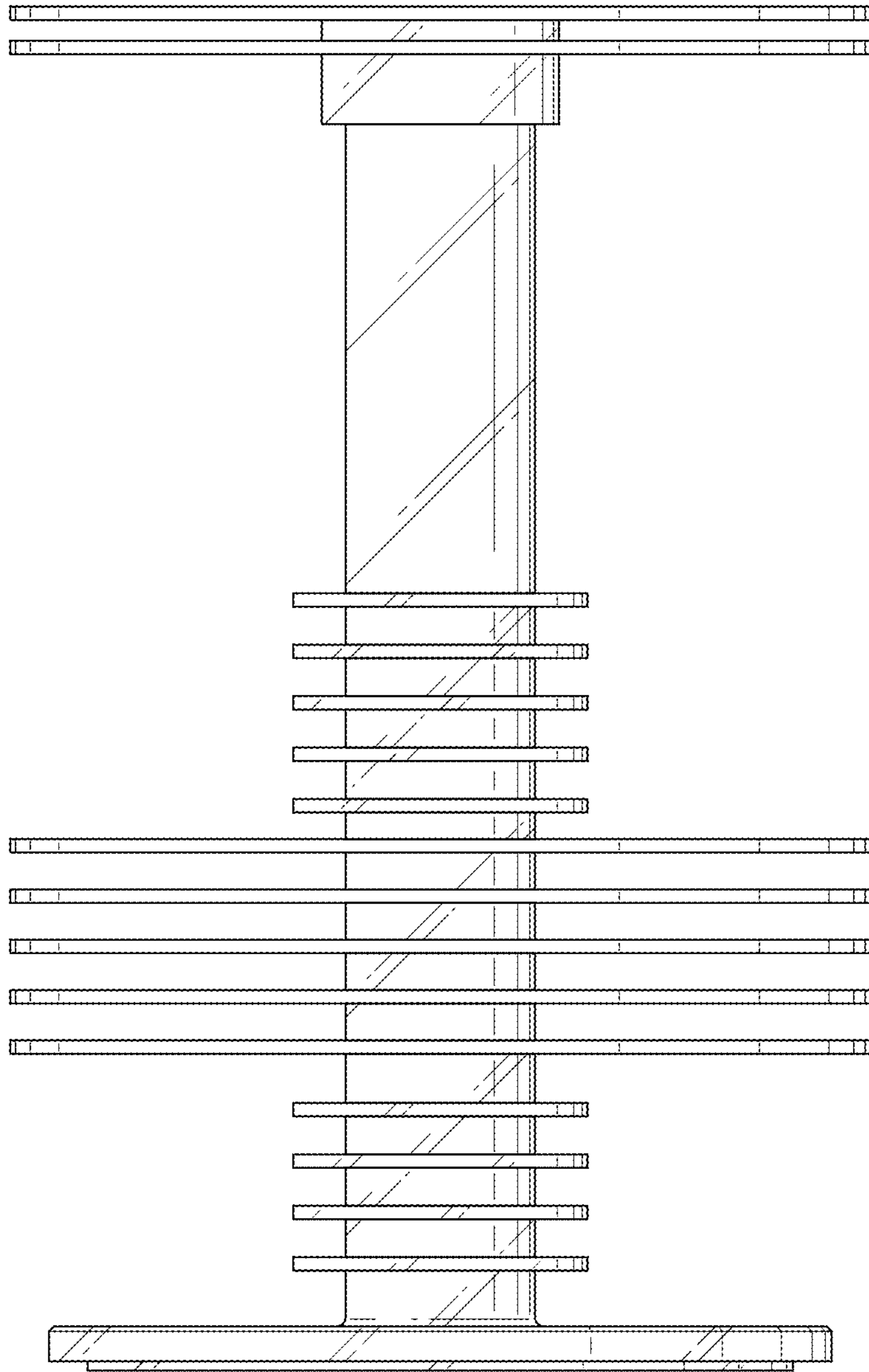


FIG. 5



FIG. 6

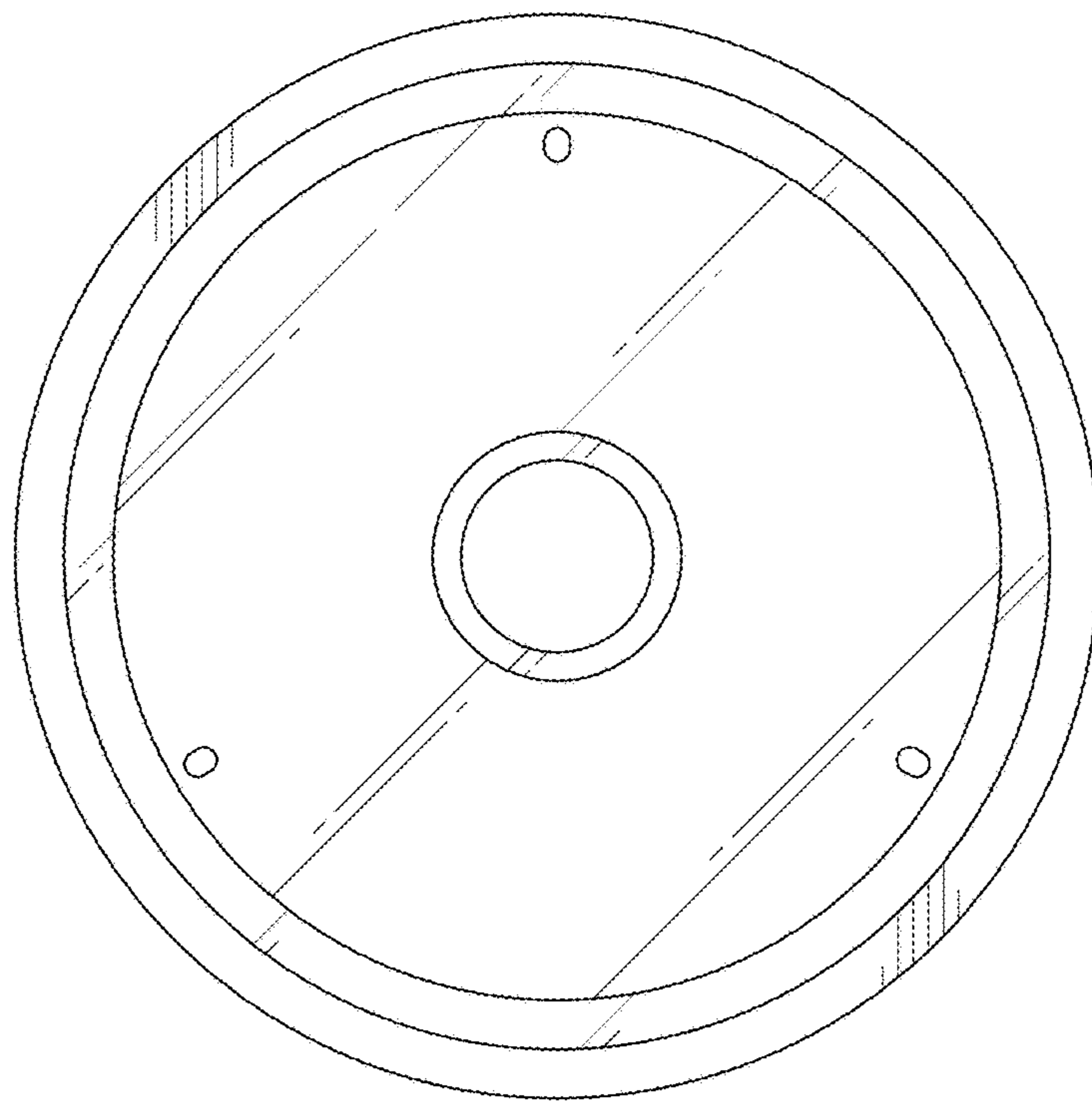


FIG. 7

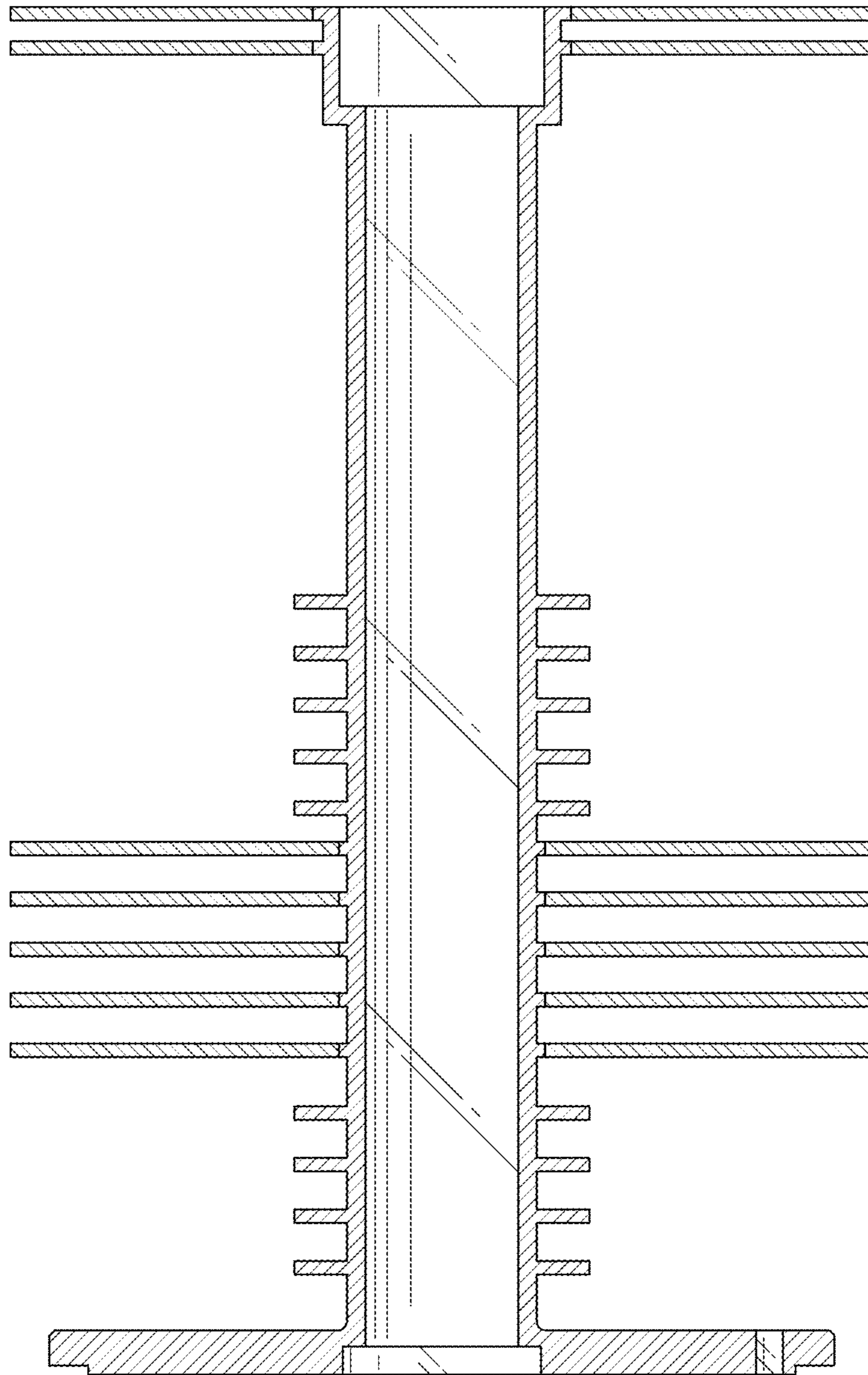


FIG. 8