



US00D818956S

(12) **United States Design Patent** (10) **Patent No.:** **US D818,956 S**
Ruff et al. (45) **Date of Patent:** **** May 29, 2018**

(54) **WIND TURBINE WITH STABILIZER STRUT FEATURES**

(71) Applicant: **Chava Wind Power Inc.**, Coral Gables, FL (US)

(72) Inventors: **Hagen Ruff**, Coral Gables, FL (US);
Mark Andrew Snoswell, Mylor (AU)

(73) Assignee: **Chava Wind LLC**, Coral Gables, FL (US)

(**) Term: **14 Years**

(21) Appl. No.: **29/516,023**

(22) Filed: **Jan. 28, 2015**

(51) **LOC (11) Cl.** **13-01**

(52) **U.S. Cl.**
USPC **D13/115**

(58) **Field of Classification Search**
USPC D13/115, 101, 199; D15/1, 199; 290/54, 290/55; 415/4.2, 41, 907; 416/23, 24, 416/31, 37, 38, 51, 132 B, 132 R, 142, 416/143, 151, 176, 183, 196 A, 197 A
CPC F03D 1/06; F03D 1/0608; F03D 1/0625; F03D 1/0633; F03D 1/0641; F03D 3/02; F03D 3/005; F03D 3/061; F03D 3/062; F03D 3/064; F03D 7/0224; F03D 7/04; F03D 7/06; B63H 1/06; Y02E 10/74; F05B 2240/302

See application file for complete search history.

(56) **References Cited**

U.S. PATENT DOCUMENTS

D617,731 S *	6/2010	Starck	D13/115
D626,505 S *	11/2010	Sonne	D13/115
D647,477 S *	10/2011	Lin	D13/115
D713,789 S *	9/2014	Burns	D13/115
D748,054 S *	1/2016	Aihara	D13/115
2004/0120820 A1 *	6/2004	Dery	F03D 3/061 416/197 A

(Continued)

OTHER PUBLICATIONS

Science Direct: Renewable and Sustainable Energy Reviews, Curved-Blade Darrieus VAWT, Oct. 23, 2006.*

Primary Examiner — Derrick Holland

(74) *Attorney, Agent, or Firm* — Gary Hoenig

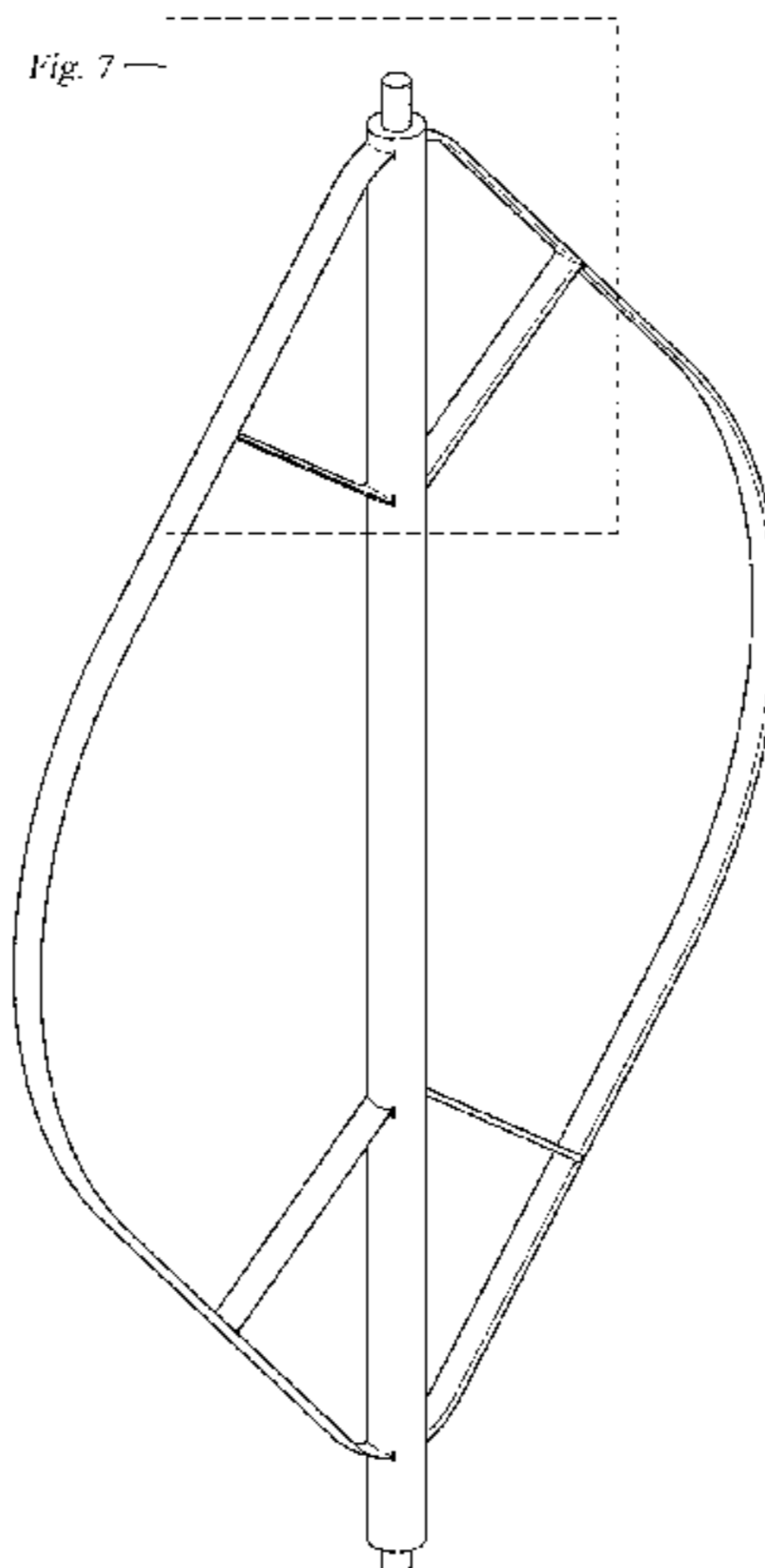
(57) **CLAIM**

We claim the ornamental design for a wind turbine with stabilizer strut features, substantially as shown and described.

DESCRIPTION

FIG. 1 is a perspective view showing a wind turbine with stabilizer strut features in accordance with our new design; FIG. 2 is a front elevation view thereof; the rear elevation view being a mirror image thereof; FIG. 3 is a right side elevation view thereof; the left side elevation view being a mirror image thereof; FIG. 4 is a top plan view thereof; the bottom plan view being a mirror image thereof; FIG. 5 is a cross section view thereof, taken along line 5-5 of FIG. 2; FIG. 6 is a cross section view thereof, taken along line 6-6 of FIG. 2; FIG. 7 is a detail view of our new design taken from the area referenced in FIG. 1; FIG. 8 is a detail view thereof taken from the area referenced in FIG. 2; FIG. 9 is a detail view thereof taken from the area referenced in FIG. 2; FIG. 10 is a detail view thereof taken from the area referenced in FIG. 2; and, FIG. 11 is a detail view thereof taken from the area referenced in FIG. 2. The broken lines which define the bounds of the claimed design form no part thereof.

1 Claim, 9 Drawing Sheets



(56)

References Cited

U.S. PATENT DOCUMENTS

2009/0096213 A1* 4/2009 Berglund F03D 3/061
290/44
2010/0226775 A1* 9/2010 Hartman B60L 11/1822
416/131
2013/0136612 A1* 5/2013 Tull de Salis F03D 3/005
416/223 R
2013/0156585 A1* 6/2013 Mangano F03D 3/064
416/210 R
2013/0183164 A1* 7/2013 Silvert F03D 3/062
416/244 R

* cited by examiner

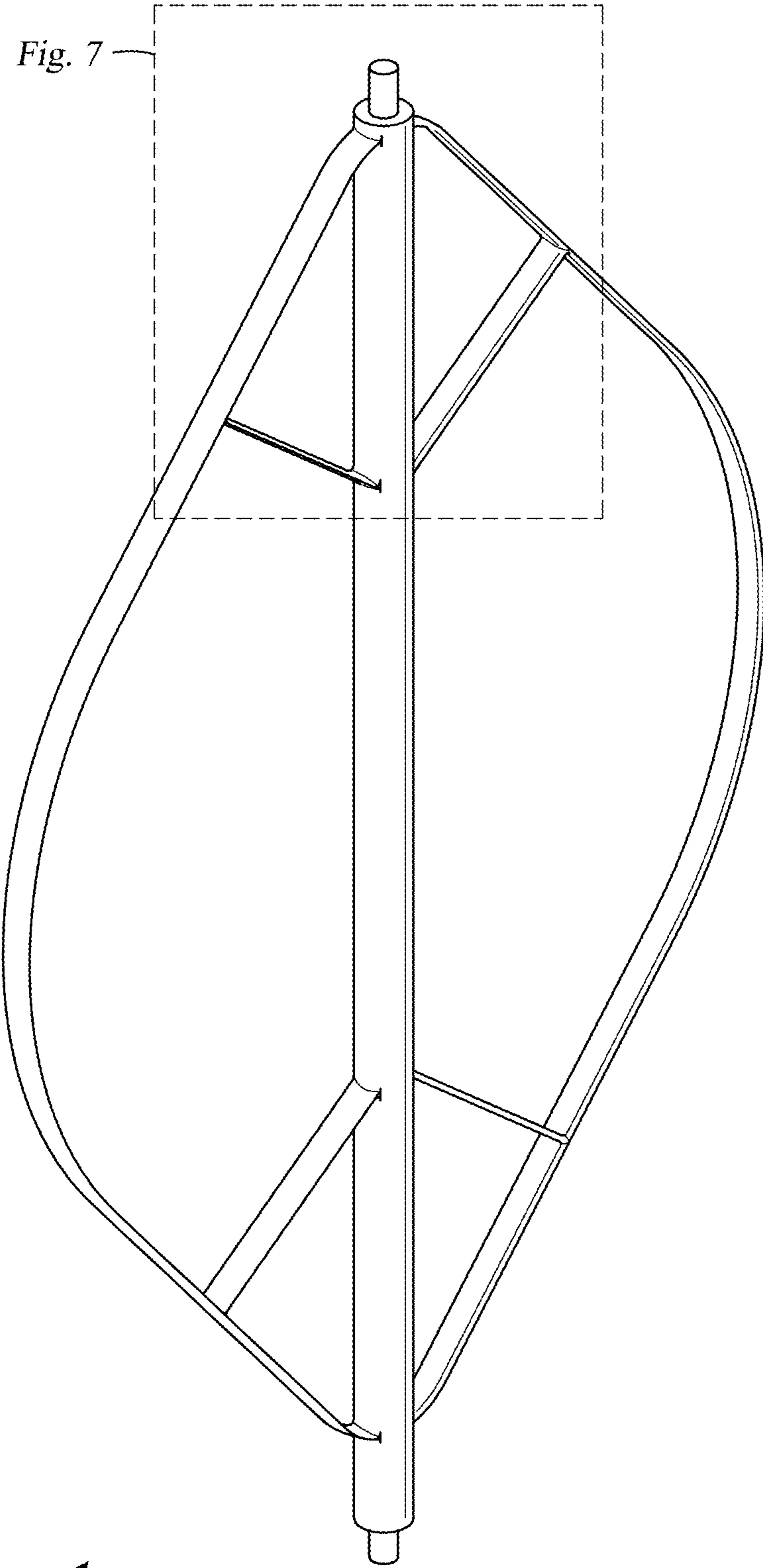


Fig. 1

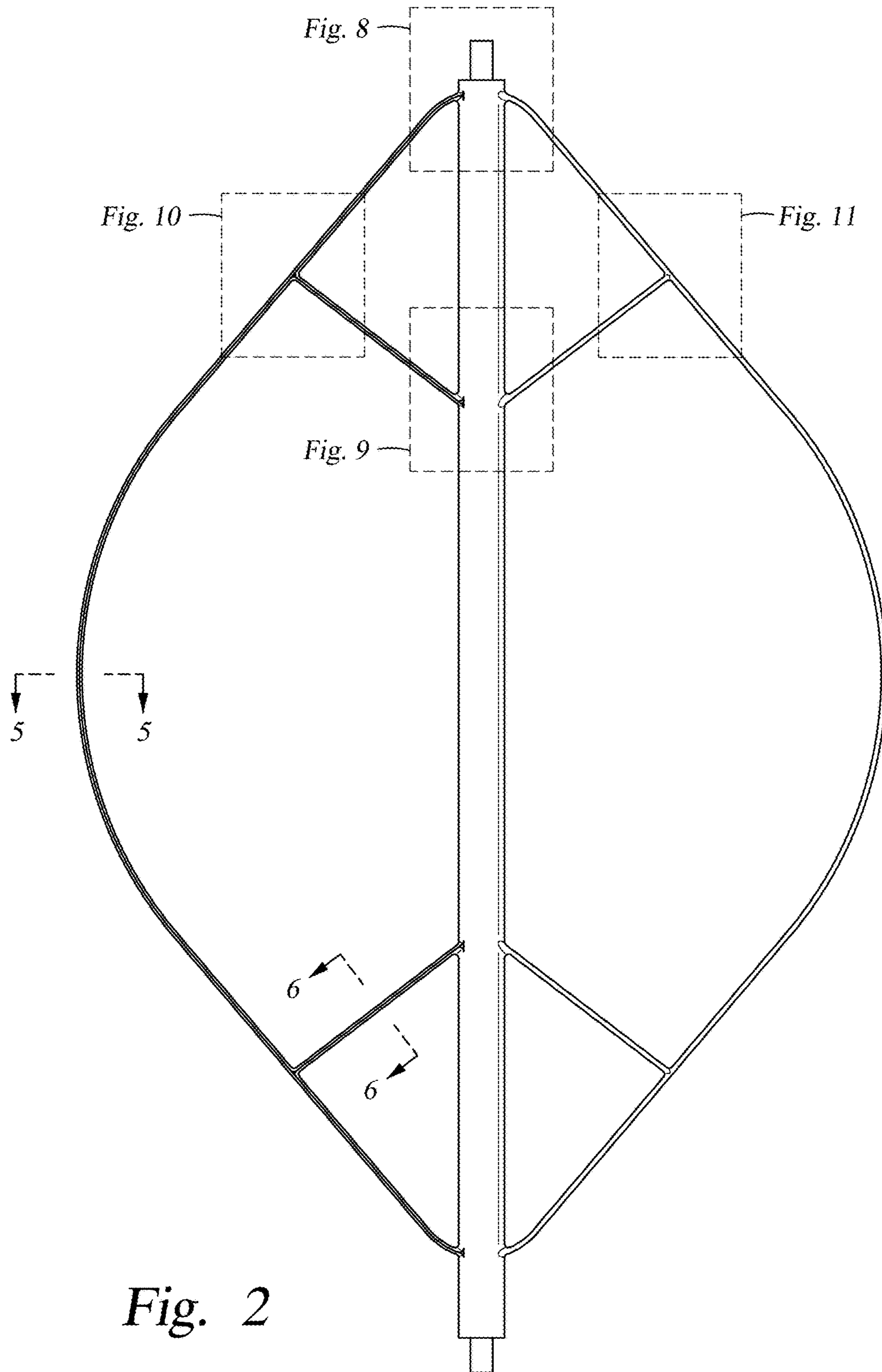


Fig. 2

Fig. 3



Fig. 4

Fig. 5

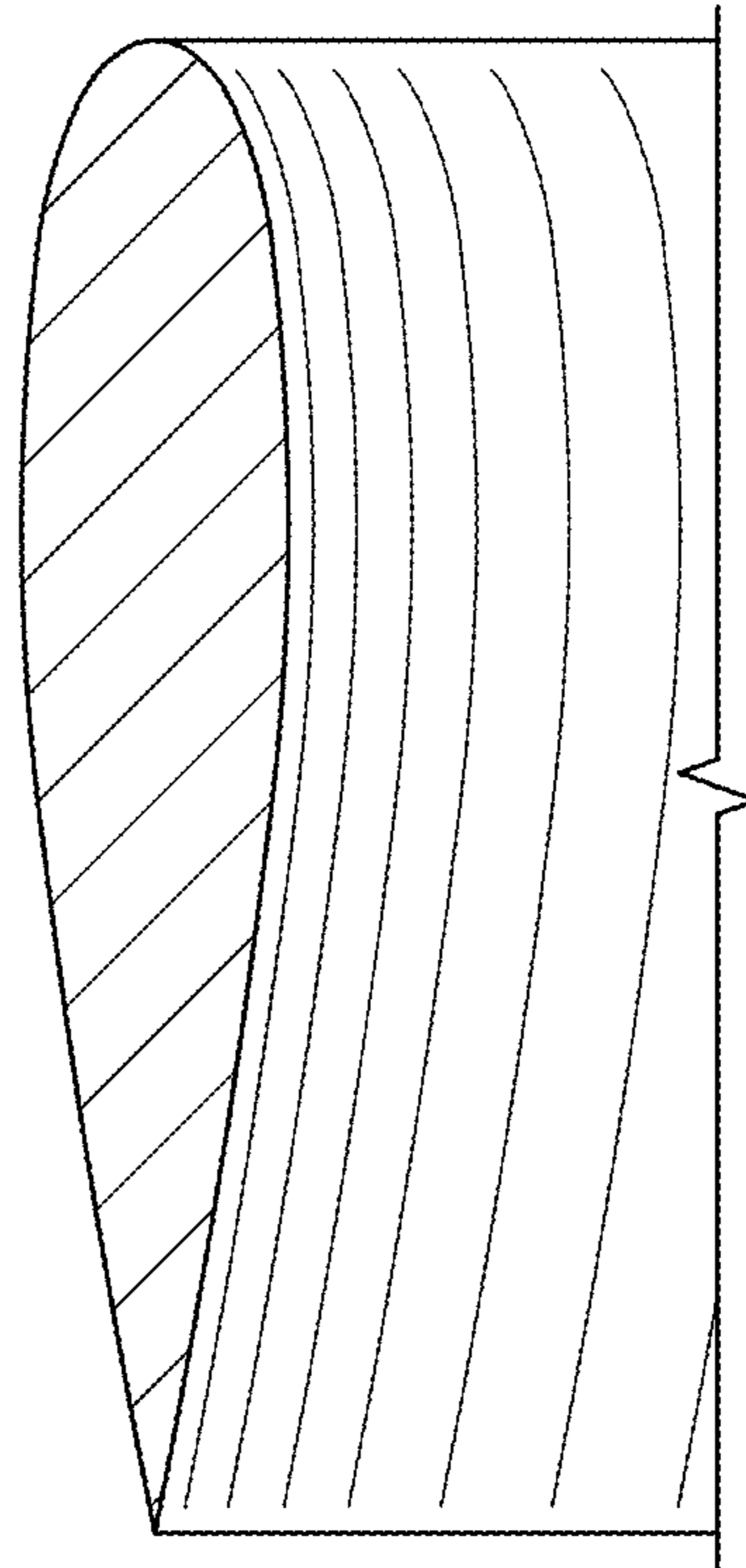
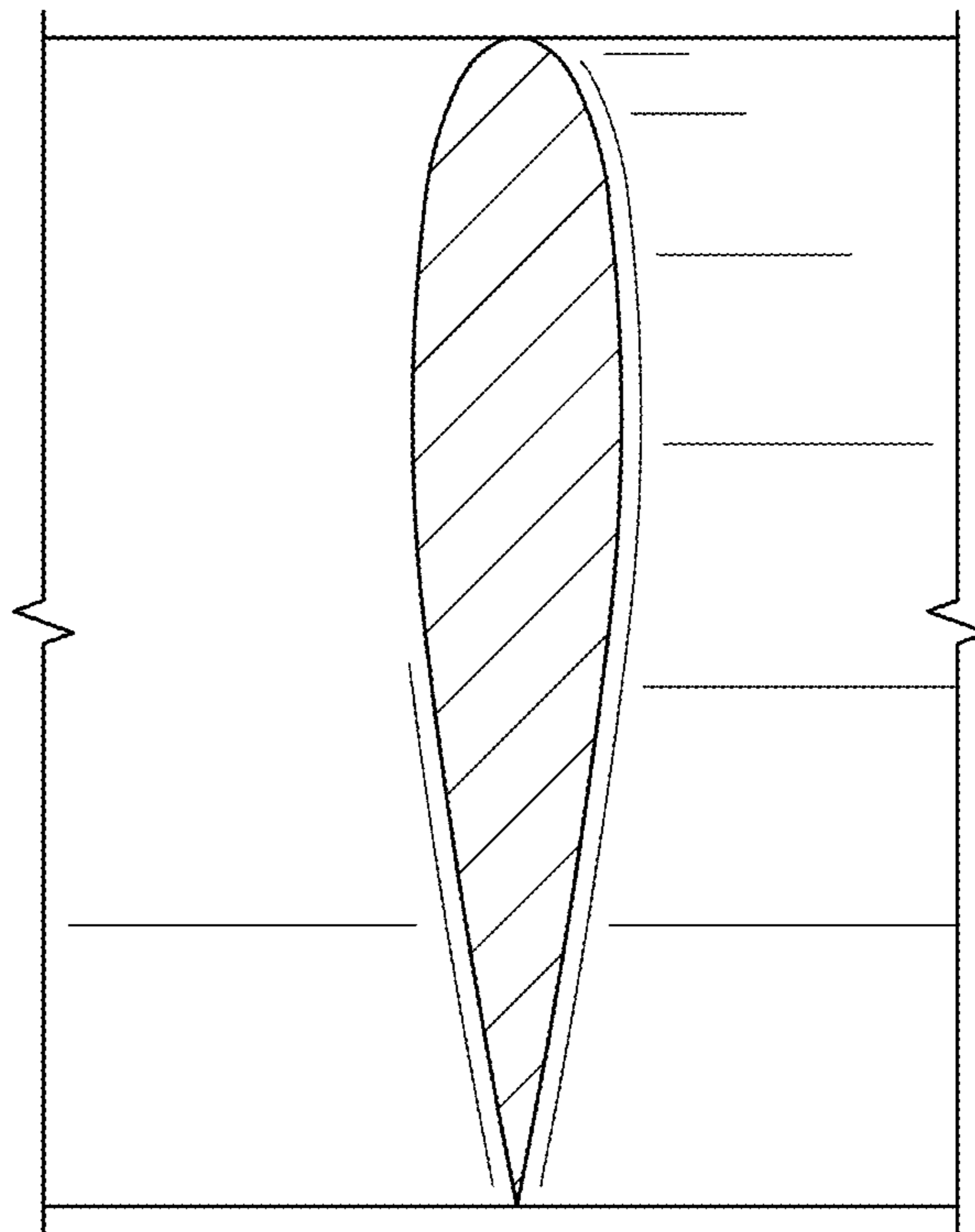


Fig. 6



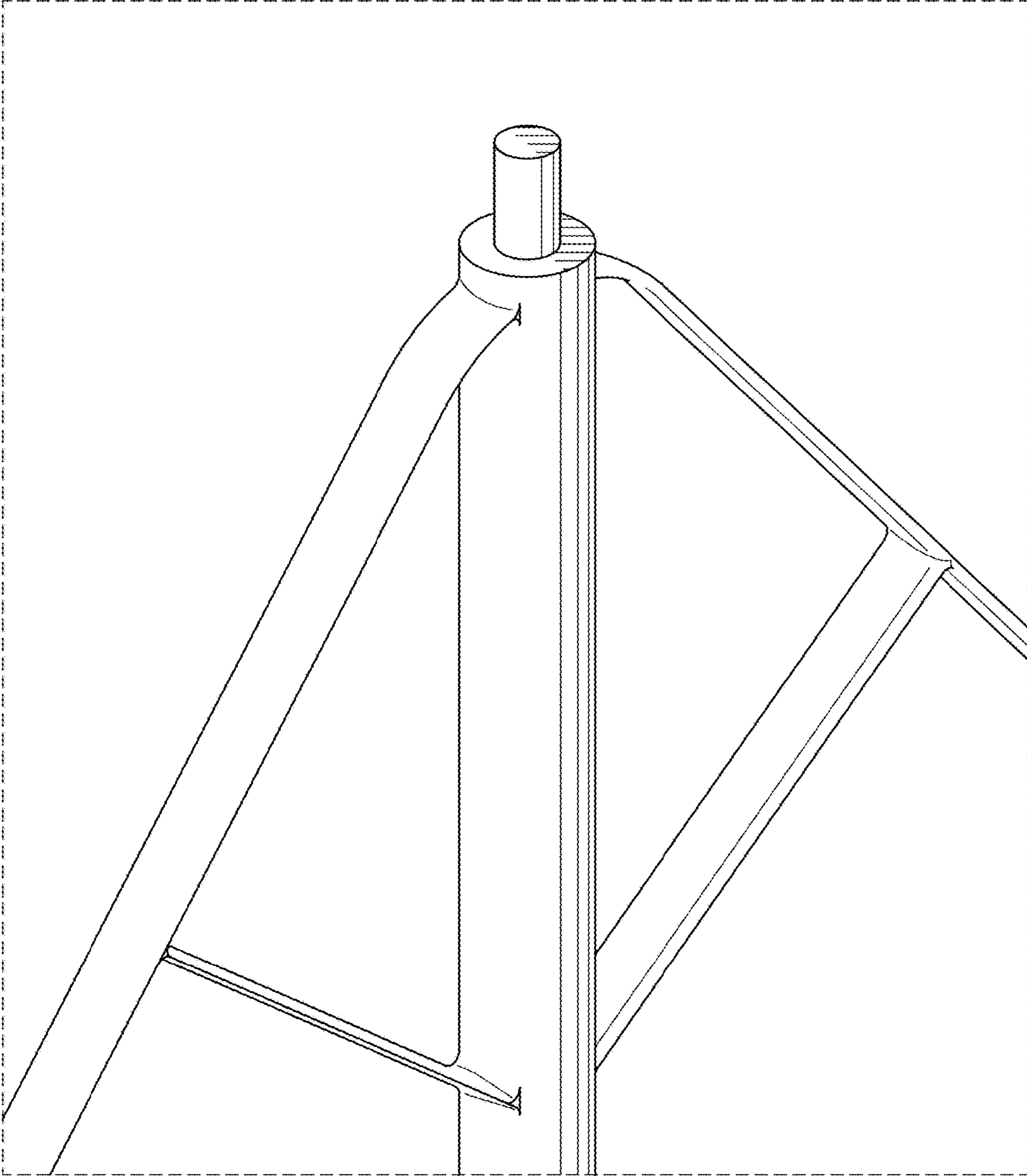


Fig. 7

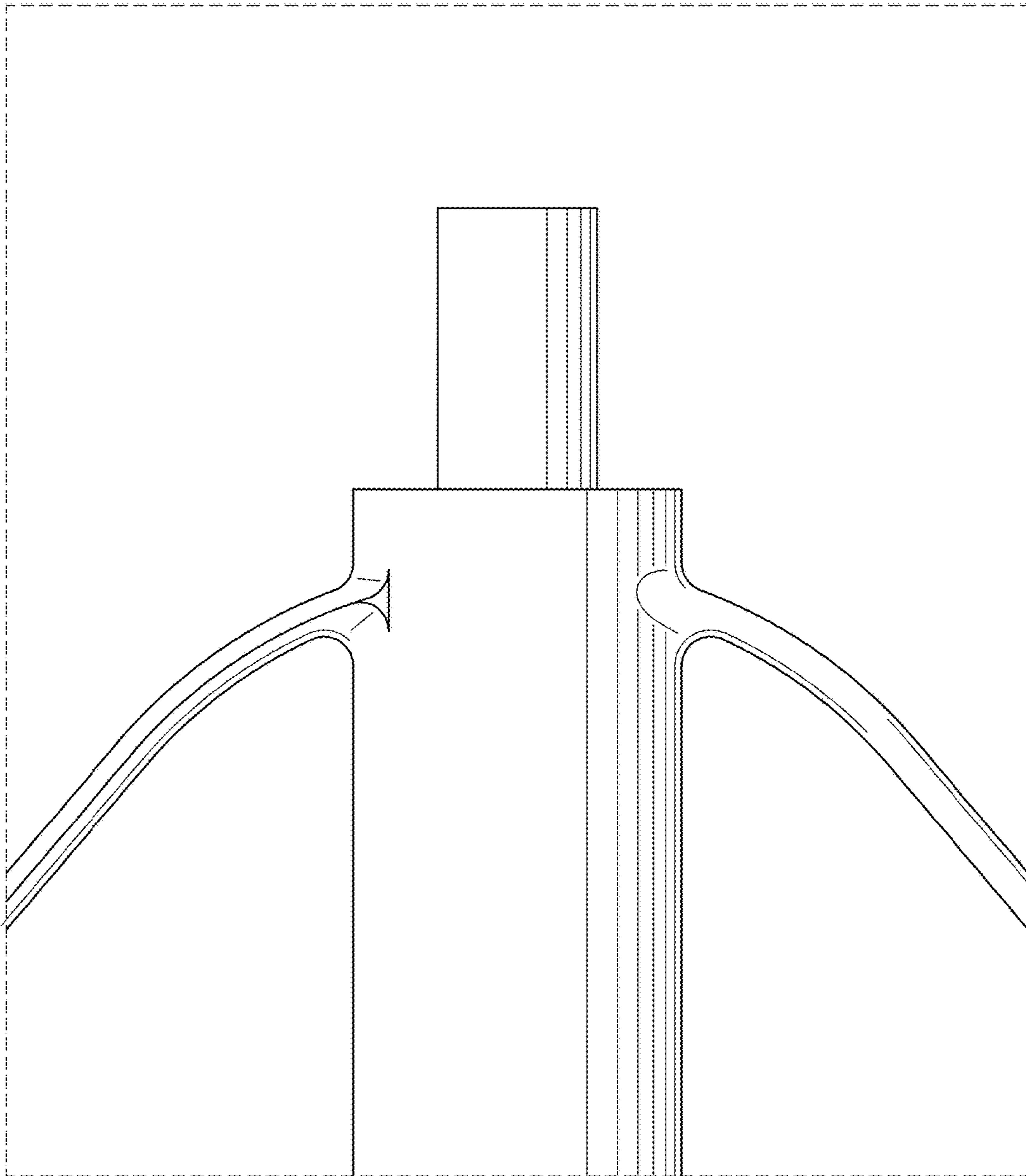


Fig. 8

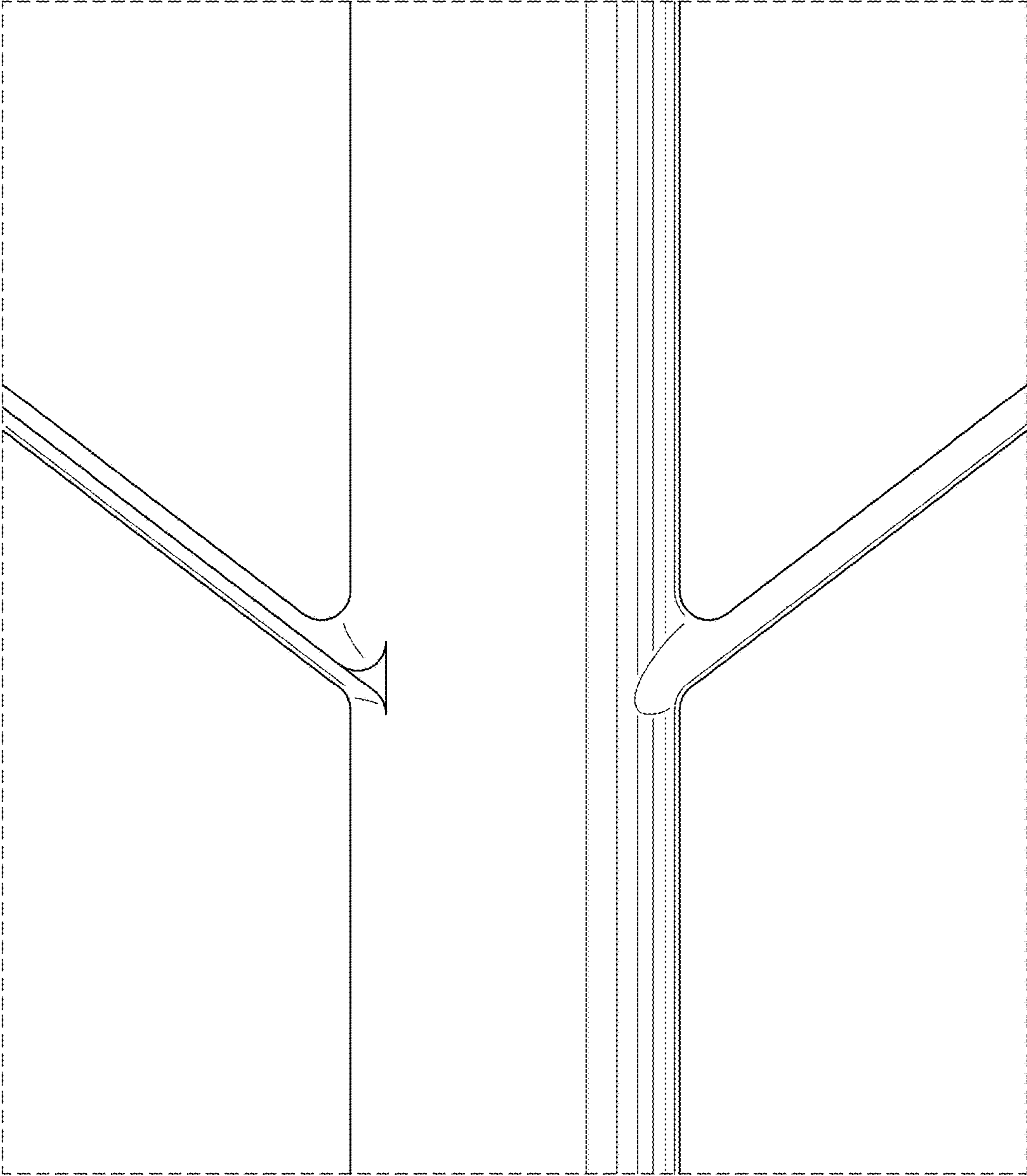


Fig. 9

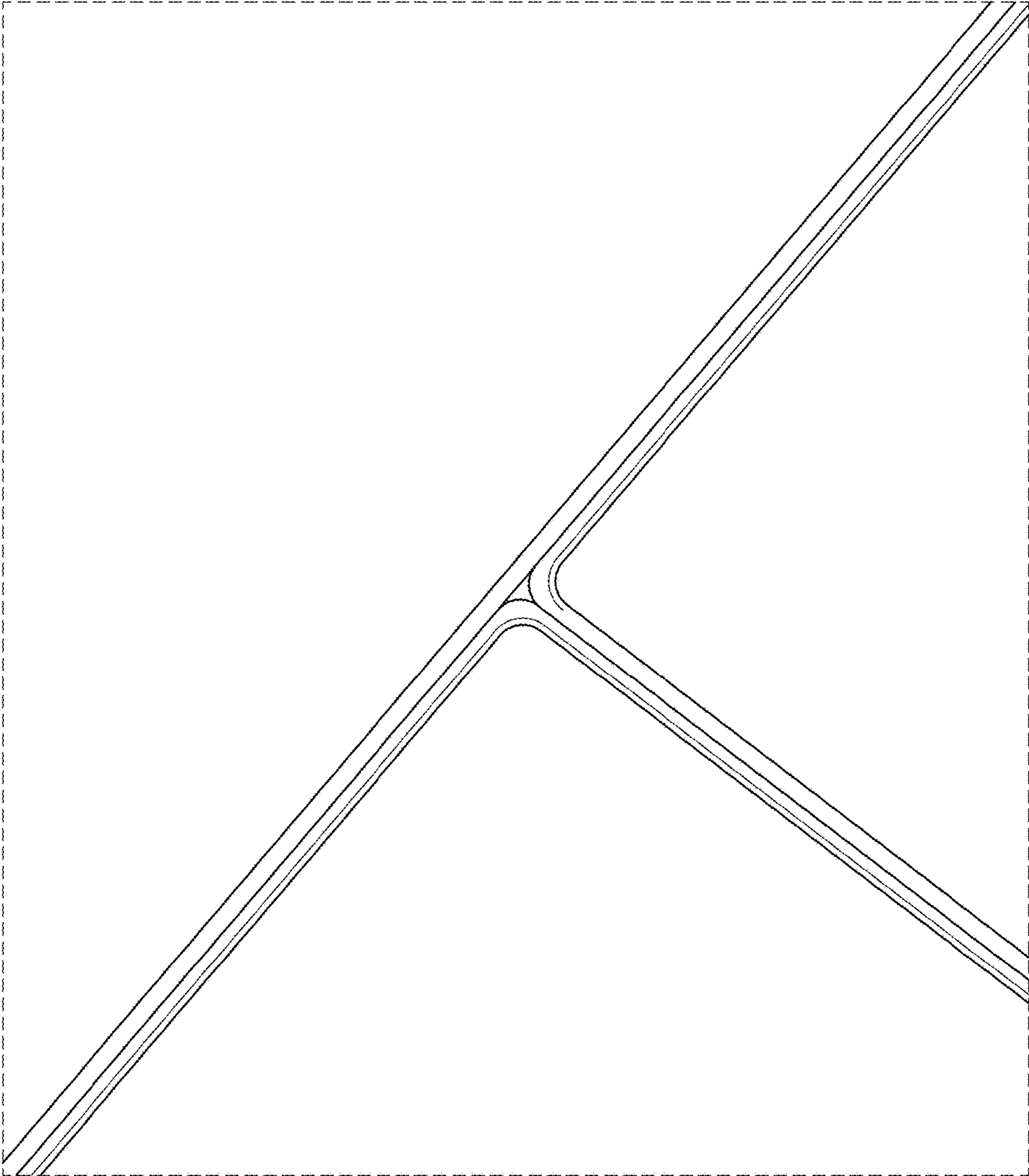


Fig. 10

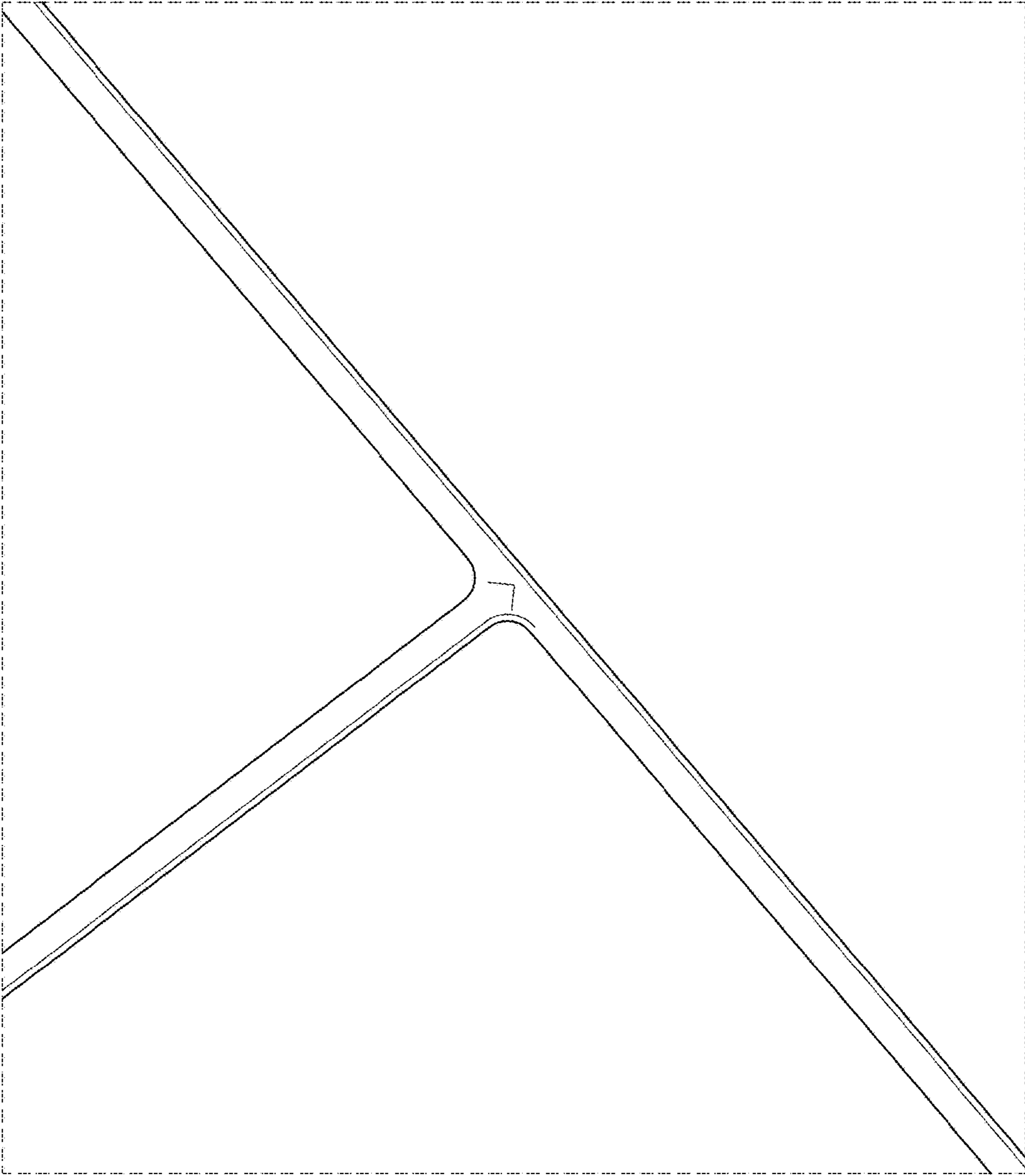


Fig. 11