



US00D818955S

(12) **United States Design Patent**
Yuzuriha

(10) **Patent No.:** **US D818,955 S**

(45) **Date of Patent:** **** May 29, 2018**

(54) **ENGINE OPERATED GENERATOR**

(71) Applicant: **HONDA MOTOR CO., LTD.**, Tokyo (JP)

(72) Inventor: **Hiromi Yuzuriha**, Wako (JP)

(73) Assignee: **HONDA MOTOR CO., LTD.**, Tokyo (JP)

(**) Term: **15 Years**

(21) Appl. No.: **29/572,556**

(22) Filed: **Jul. 28, 2016**

(30) **Foreign Application Priority Data**

Jan. 29, 2016 (JP) 2016-001977

(51) **LOC (11) Cl.** **13-01**

(52) **U.S. Cl.**
USPC **D13/113**

(58) **Field of Classification Search**
USPC D13/113, 110, 114, 116; 219/133;
290/1 A

CPC B23K 9/1006; F02B 63/04; F16M 3/00
See application file for complete search history.

(56) **References Cited**

U.S. PATENT DOCUMENTS

D282,734 S *	2/1986	Shibuya	D13/114
D293,904 S *	1/1988	Murakami	D13/116
D441,714 S *	5/2001	Yuzuriha	D13/116
6,362,533 B1 *	3/2002	Morohoshi	F02B 63/04 123/41.56
6,525,430 B1 *	2/2003	Asai	F02B 63/04 123/41.56
D478,042 S *	8/2003	Yaguchi	D13/114
D478,311 S *	8/2003	Yaguchi	D13/114
D501,182 S *	1/2005	Buck	D13/110
D575,732 S *	8/2008	Wu	D13/114
D588,987 S *	3/2009	Kato	D13/116

D638,794 S *	5/2011	Kato	D13/116
D644,174 S *	8/2011	Fujiki	D13/116
D676,383 S *	2/2013	Awata	D13/116
D704,137 S *	5/2014	Shokrzadeh	D13/116
8,841,582 B2 *	9/2014	Bender	B23K 9/1006 219/133

(Continued)

OTHER PUBLICATIONS

Power Generator posted by Honda posted review date Jan. 3, 2017, © Amazon, [online], [site visited Sep. 1, 2017]. Available from Internet, <https://www.amazon.com/Honda-Power-Equipment-EB2800i-Generator/dp/B01M5932HD>.*

(Continued)

Primary Examiner — Cynthia Ramirez

Assistant Examiner — Laura H Yu

(74) *Attorney, Agent, or Firm* — Westerman, Hattori, Daniels & Adrian, LLP

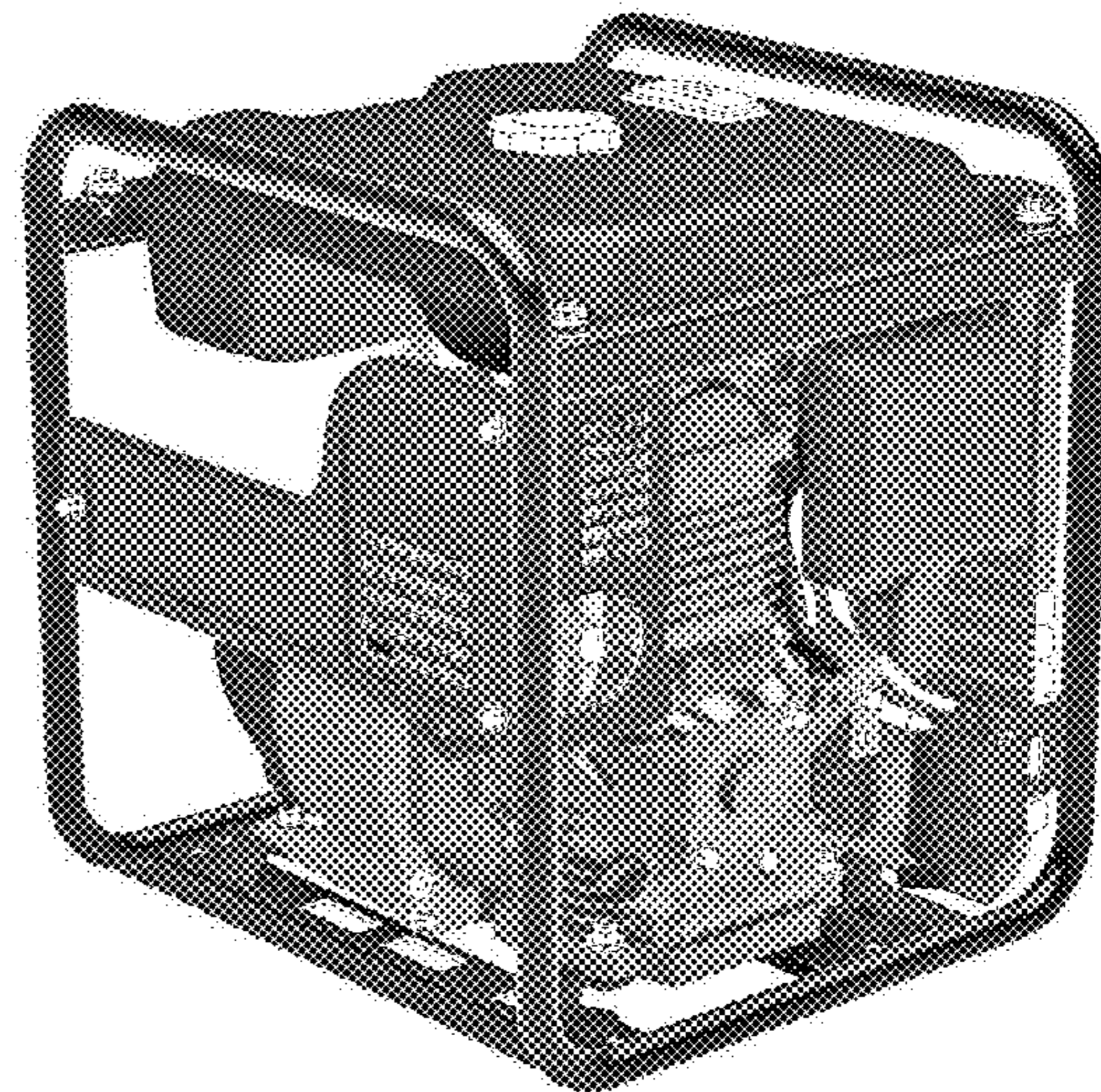
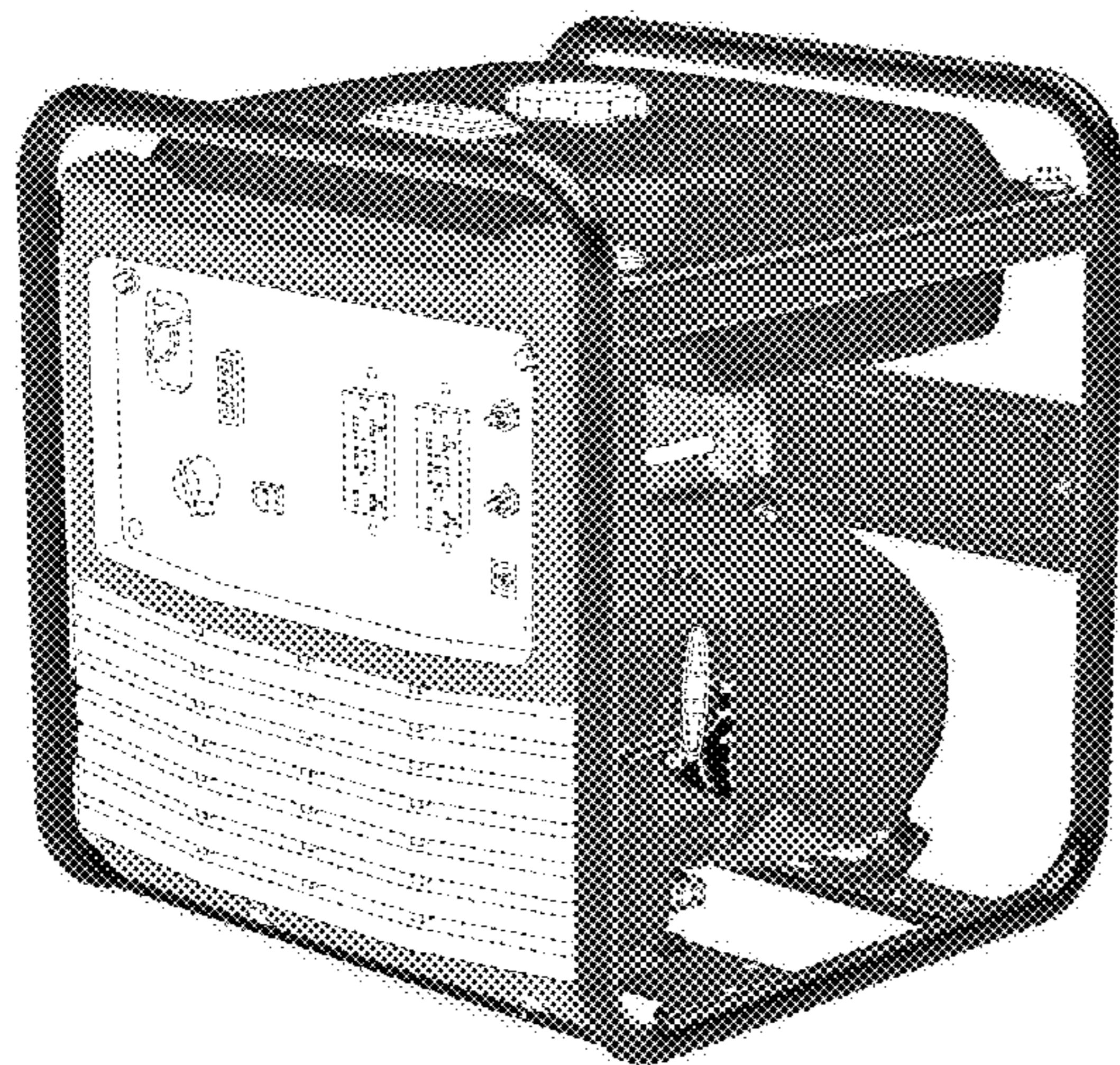
(57) **CLAIM**

The ornamental design for an engine operated generator, as shown and described.

DESCRIPTION

FIG. 1 is a first perspective view of an engine operated generator;
FIG. 2 is a second perspective view thereof;
FIG. 3 is a third perspective view thereof;
FIG. 4 is a front elevation view thereof;
FIG. 5 is a rear elevation view thereof;
FIG. 6 is a top plan view thereof;
FIG. 7 is a bottom plan view thereof;
FIG. 8 is a right side elevation view thereof; and,
FIG. 9 is a left side elevation view thereof.
The broken lines in the drawings illustrate portions of the engine operated generator that forms no part of the claimed design.

1 Claim, 9 Drawing Sheets



(56)

References Cited

U.S. PATENT DOCUMENTS

D795,191 S * 8/2017 Wang D13/116

OTHER PUBLICATIONS

Honda EB2800i Portable Generator posted by Honda posted date
Oct. 6, 2016, © YouTube, [online], [site visited Sep. 1, 2017].
Available from Internet, [https://www.youtube.com/
watch?v=2VGZznKbkcg](https://www.youtube.com/watch?v=2VGZznKbkcg).*

* cited by examiner

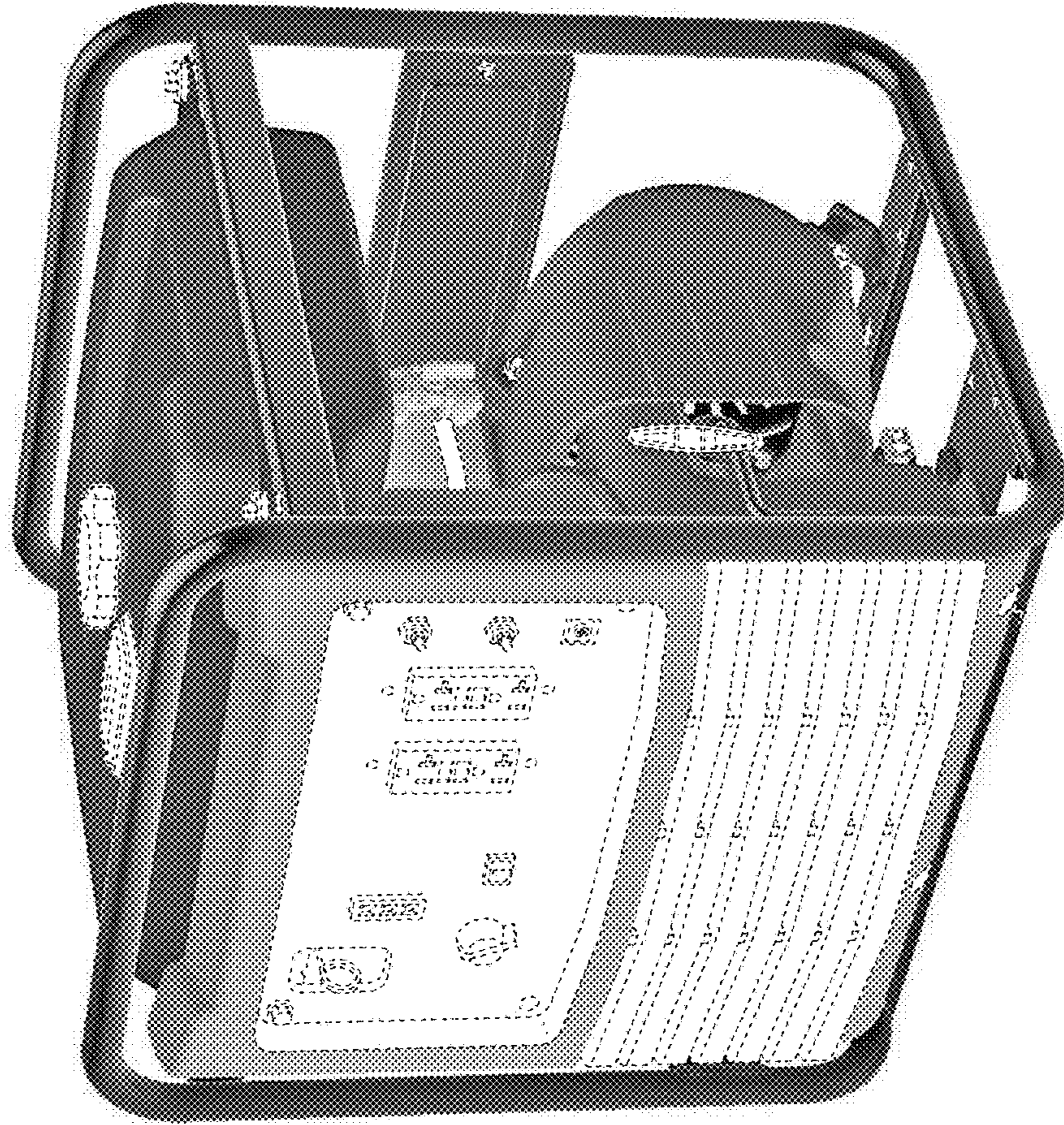


Fig.1

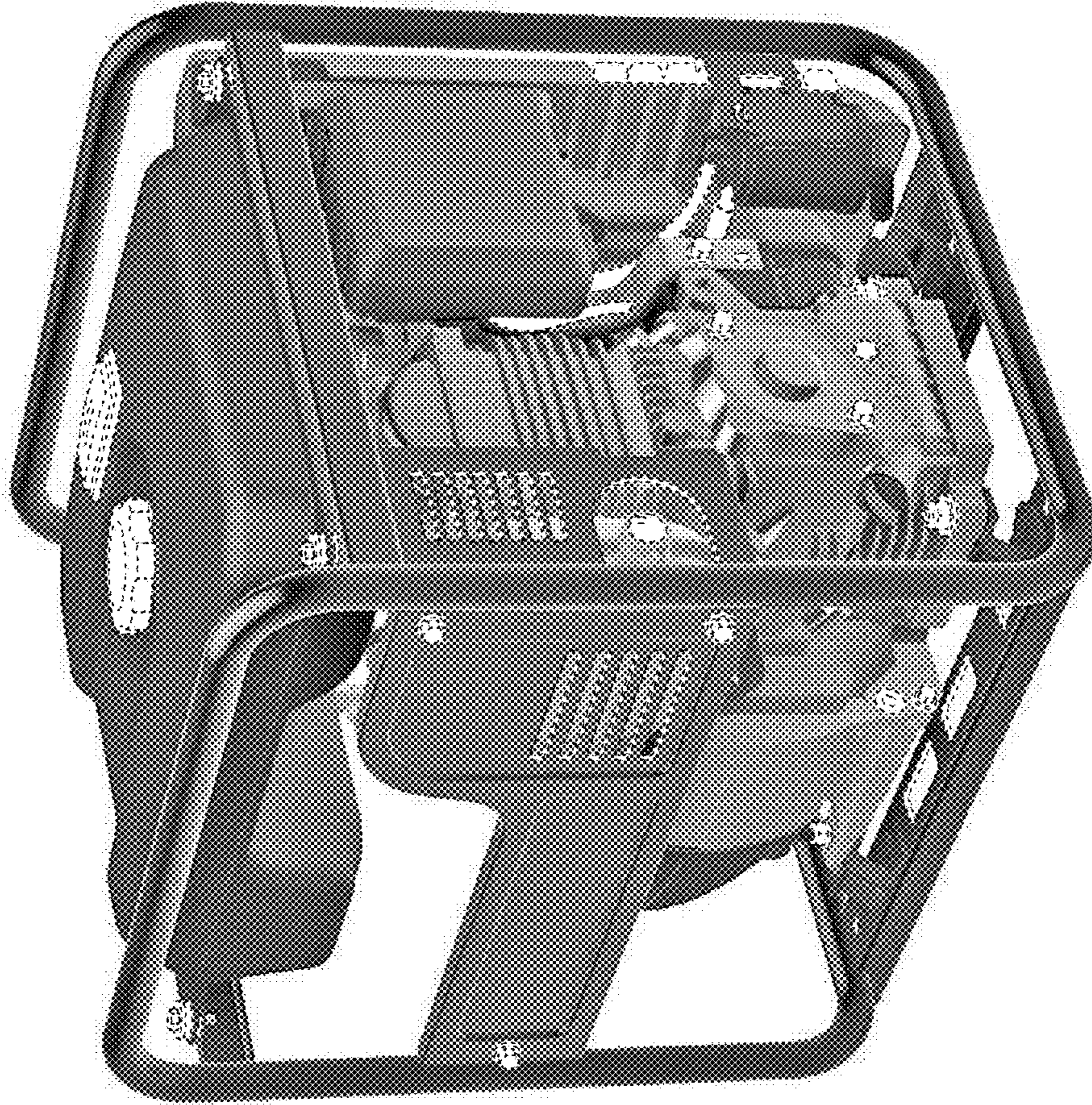


Fig. 2



Fig.3

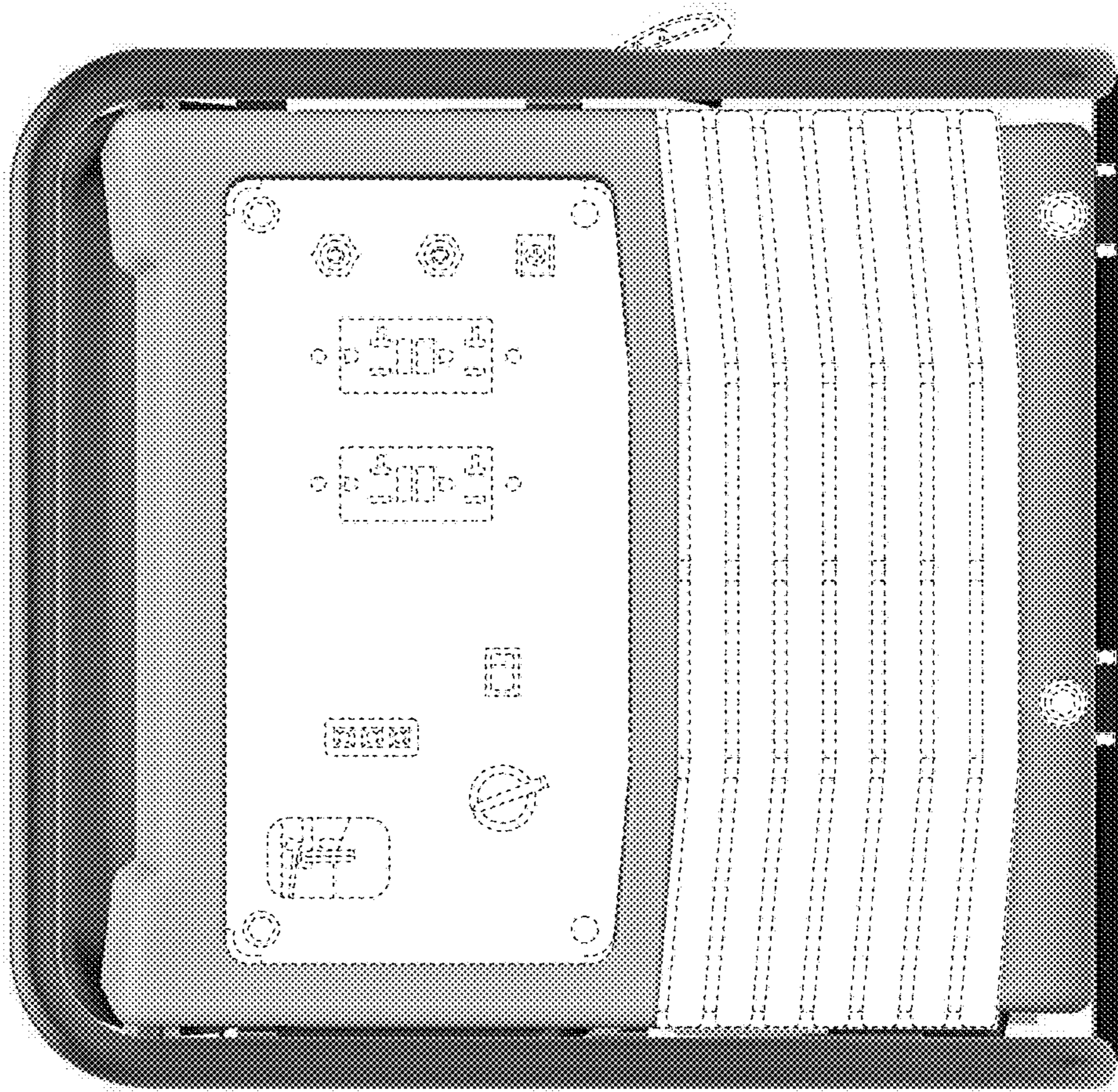


Fig.4

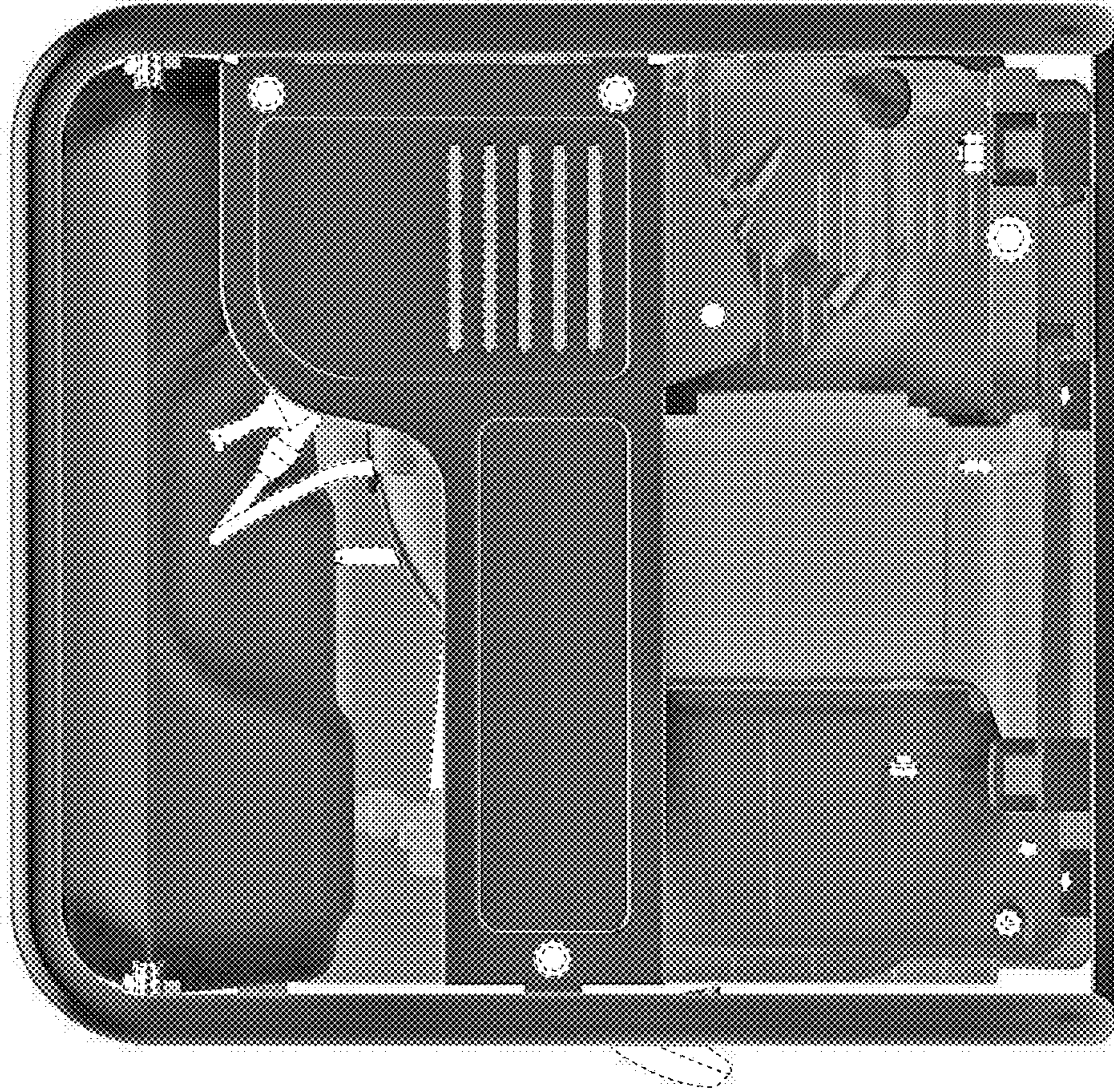


Fig. 5

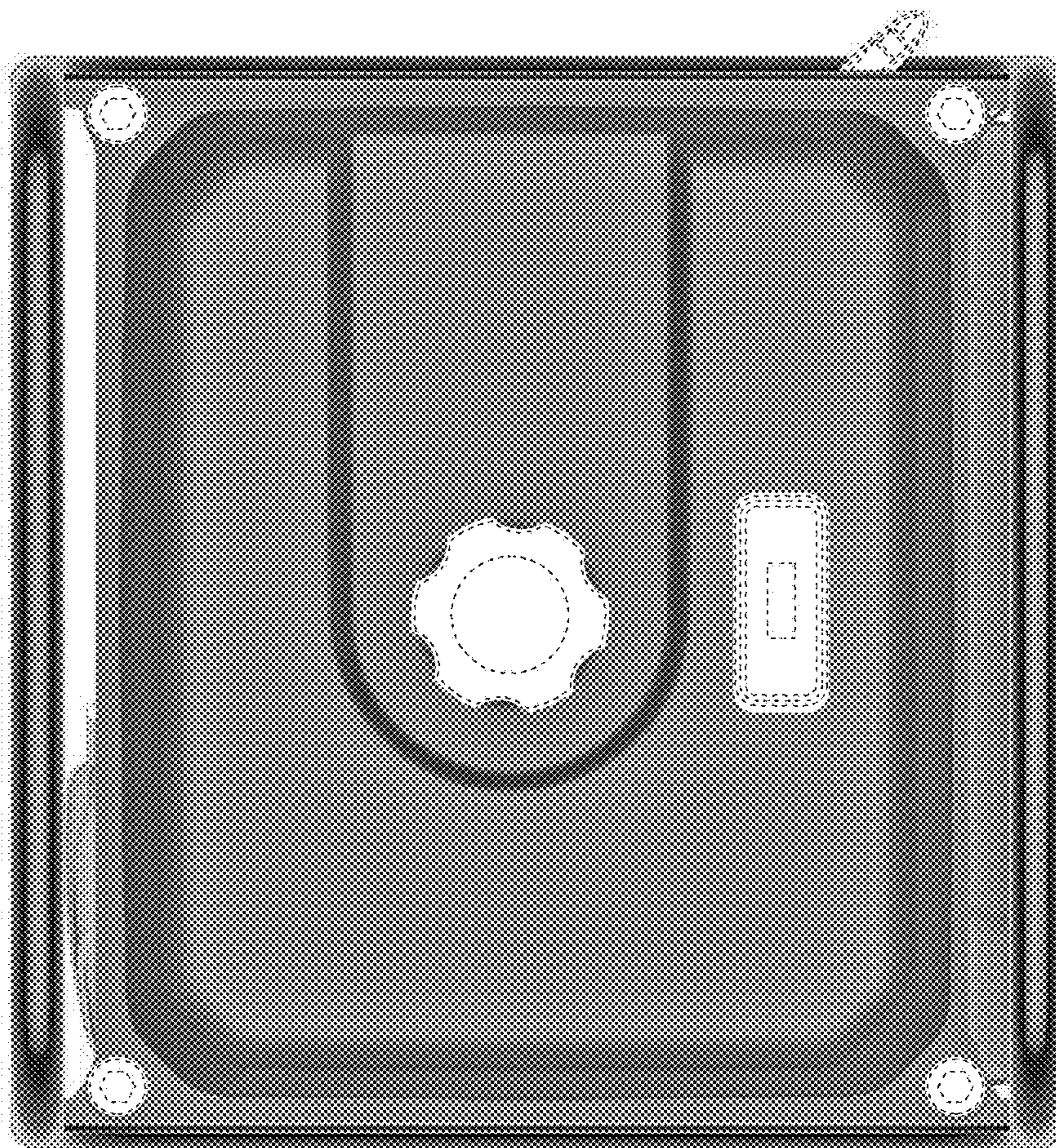


Fig.6

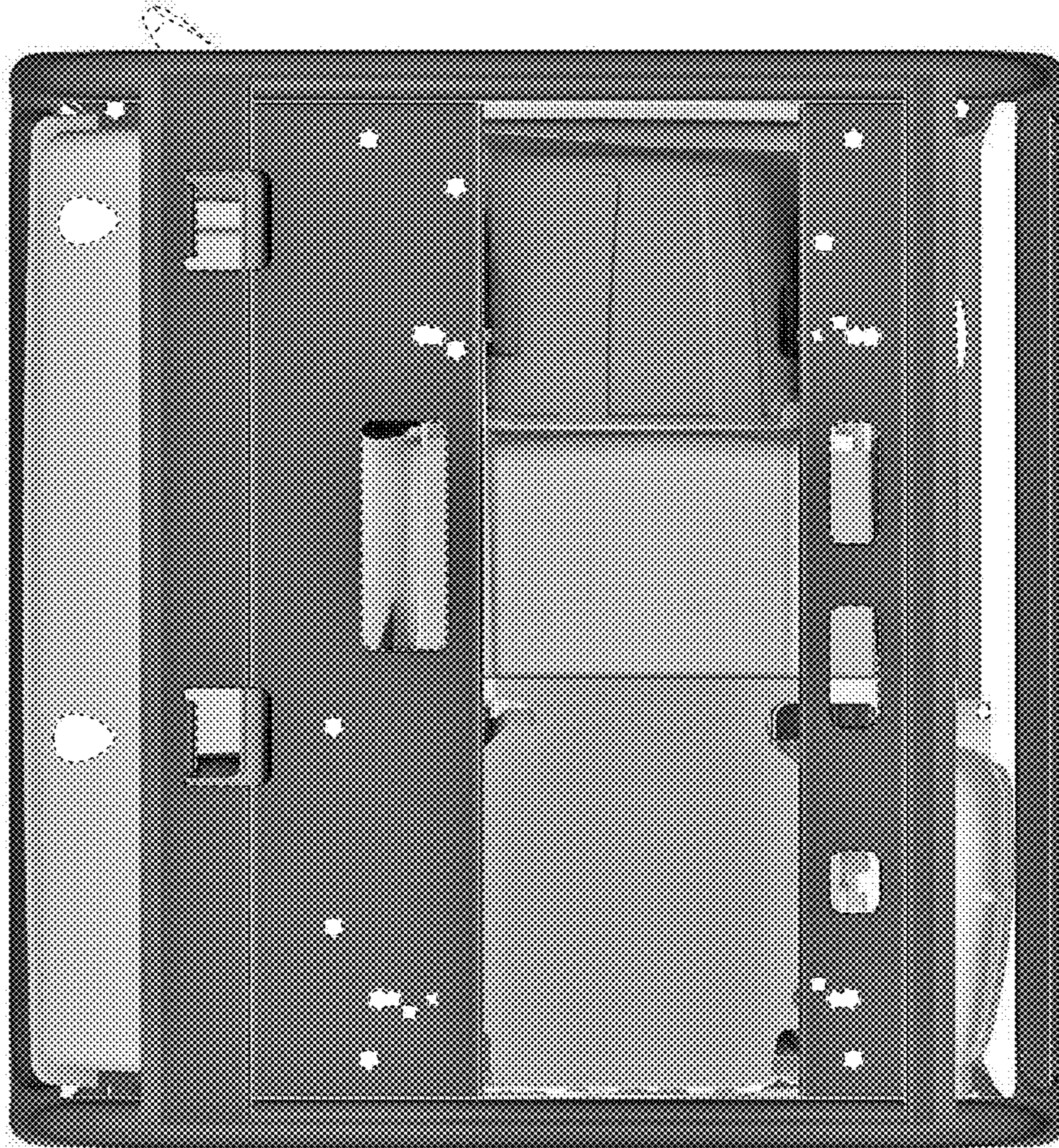


Fig.7

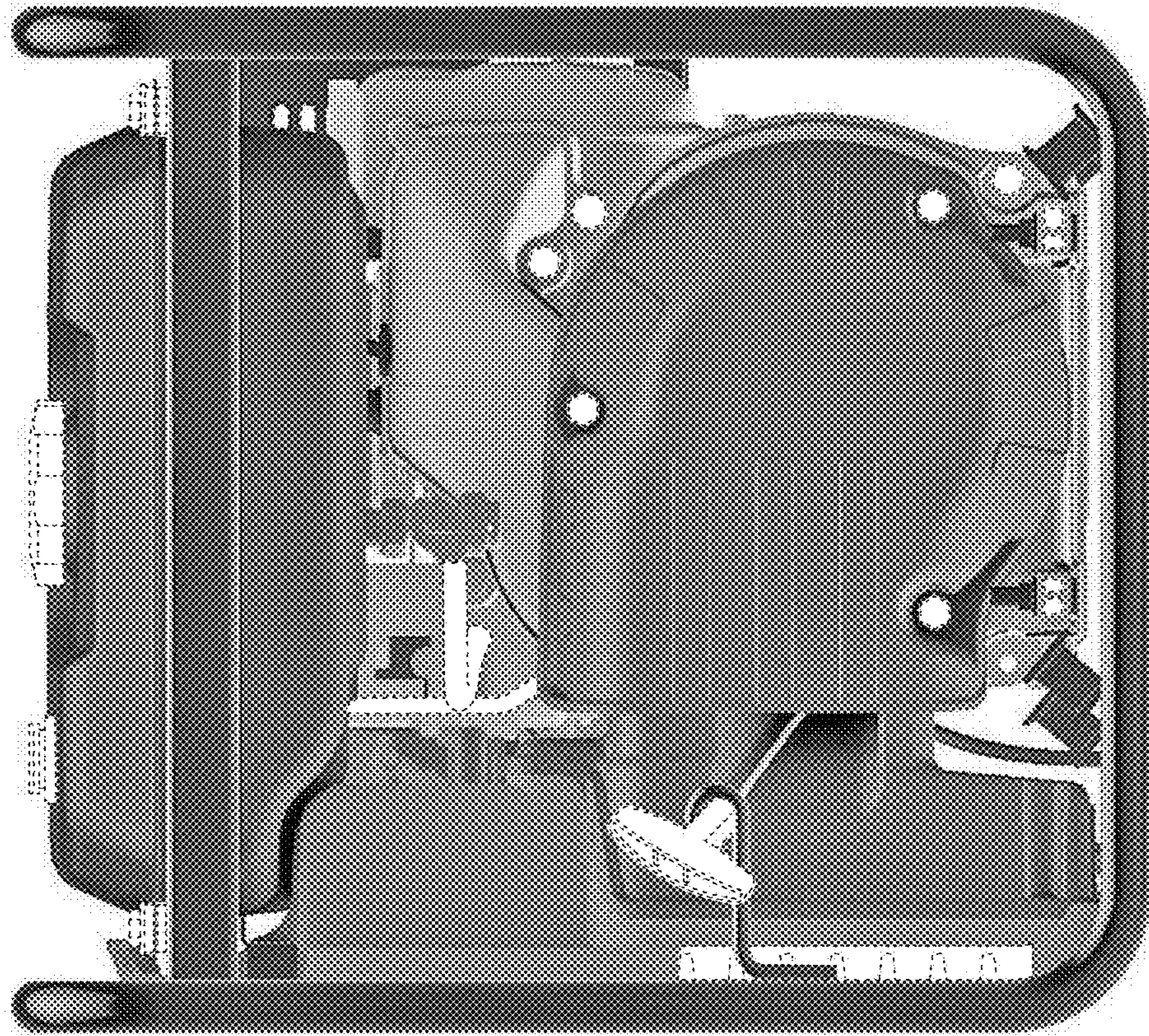


Fig. 8

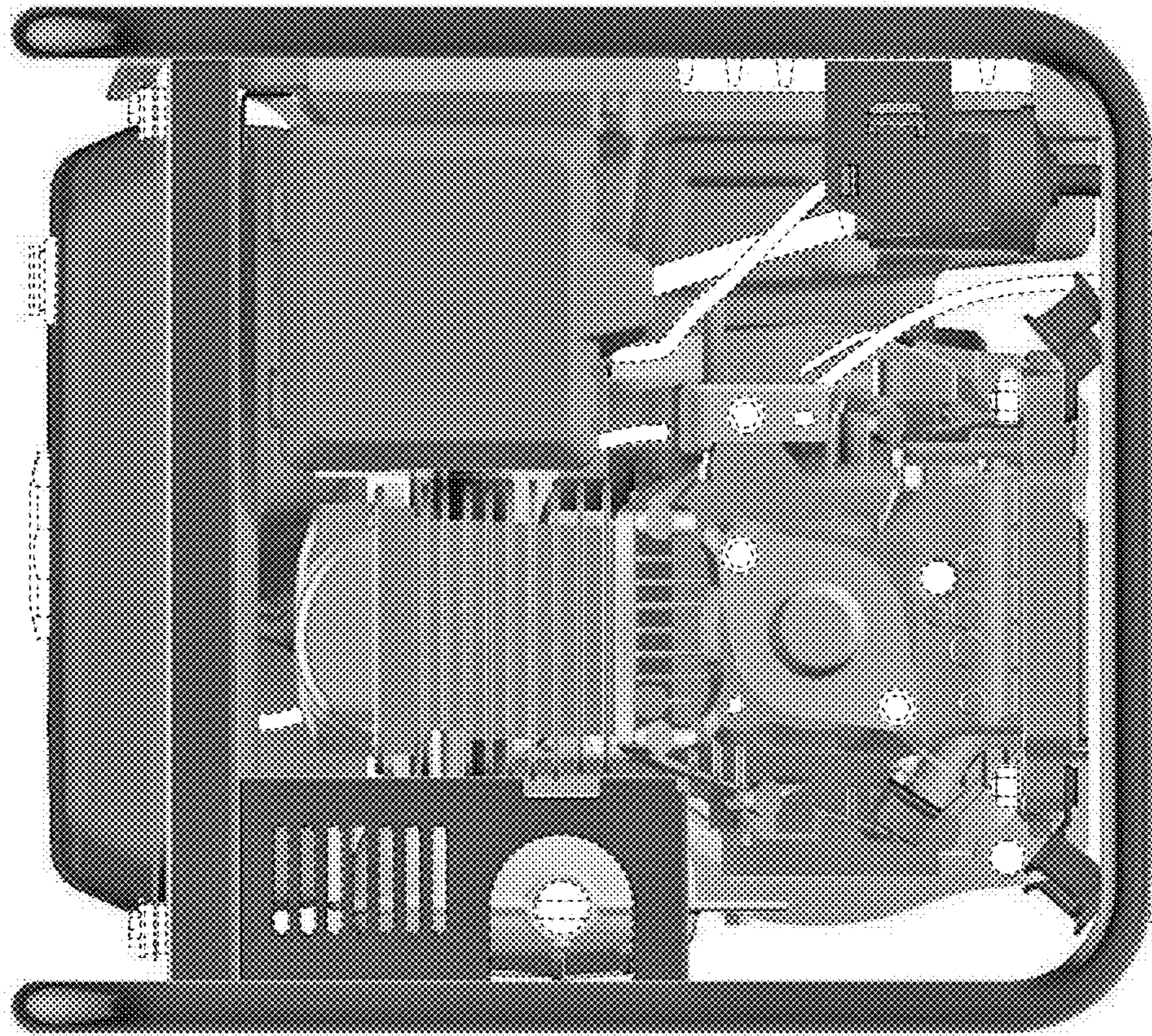


Fig. 9