



US00D818954S

(12) **United States Design Patent** (10) **Patent No.:** **US D818,954 S**
Lai (45) **Date of Patent:** **** May 29, 2018**

(54) **POWER INVERTER**
(71) Applicant: **Keteng Lai**, Dongguan (CN)
(72) Inventor: **Keteng Lai**, Dongguan (CN)
(**) Term: **15 Years**

D766,824 S * 9/2016 Li D13/110
D766,825 S * 9/2016 Li D13/110
D766,826 S * 9/2016 Xu D13/110
D785,565 S * 5/2017 Xu D13/110

(21) Appl. No.: **29/580,791**

(22) Filed: **Oct. 13, 2016**

(51) **LOC (11) Cl.** **13-02**

(52) **U.S. Cl.**
USPC **D13/110**

(58) **Field of Classification Search**
USPC D13/101–110, 116, 118, 123, 133–135,
D13/146–151, 153–156, 159, 161, 173,
D13/184, 199; D14/356, 432
CPC H05B 41/2981; H02M 7/00; H02M 7/02;
H02M 7/04; H02M 7/06; H02M 7/483;
H02M 7/5155; H02M 7/5152; H02M
7/515; H02M 7/505; H02M 7/523; H02M
5/04; H02M 5/22; H02M 5/275; H02M
5/293; H02M 5/16; H02M 5/225; H02P
23/08; H03M 3/324; H03D 7/1425
See application file for complete search history.

OTHER PUBLICATIONS

UCERAMI Car Inverter, posted at Amazon.com, posted on Apr. 2, 2016, online, site visited Oct. 5, 2017. Available from Internet: <https://www.amazon.com/UCERAMI-Inverter-Adapter-Converter-Charging/dp/B01DR2RLDQ>.
BESTEK 300W Power Inverter, posted at Amazon.com, posted on Apr. 7, 2011, online, site visited Oct. 5, 2017. Available from Internet: <https://www.amazon.com/BESTEK-300W-Power-Inverter-Adapter/dp/B004MDXSOU>.

* cited by examiner

Primary Examiner — Mary Ann Calabrese
Assistant Examiner — Catherine Ho
(74) *Attorney, Agent, or Firm* — Gokalp Bayramoglu

(57) **CLAIM**

The ornamental design for power inverter, as shown and described.

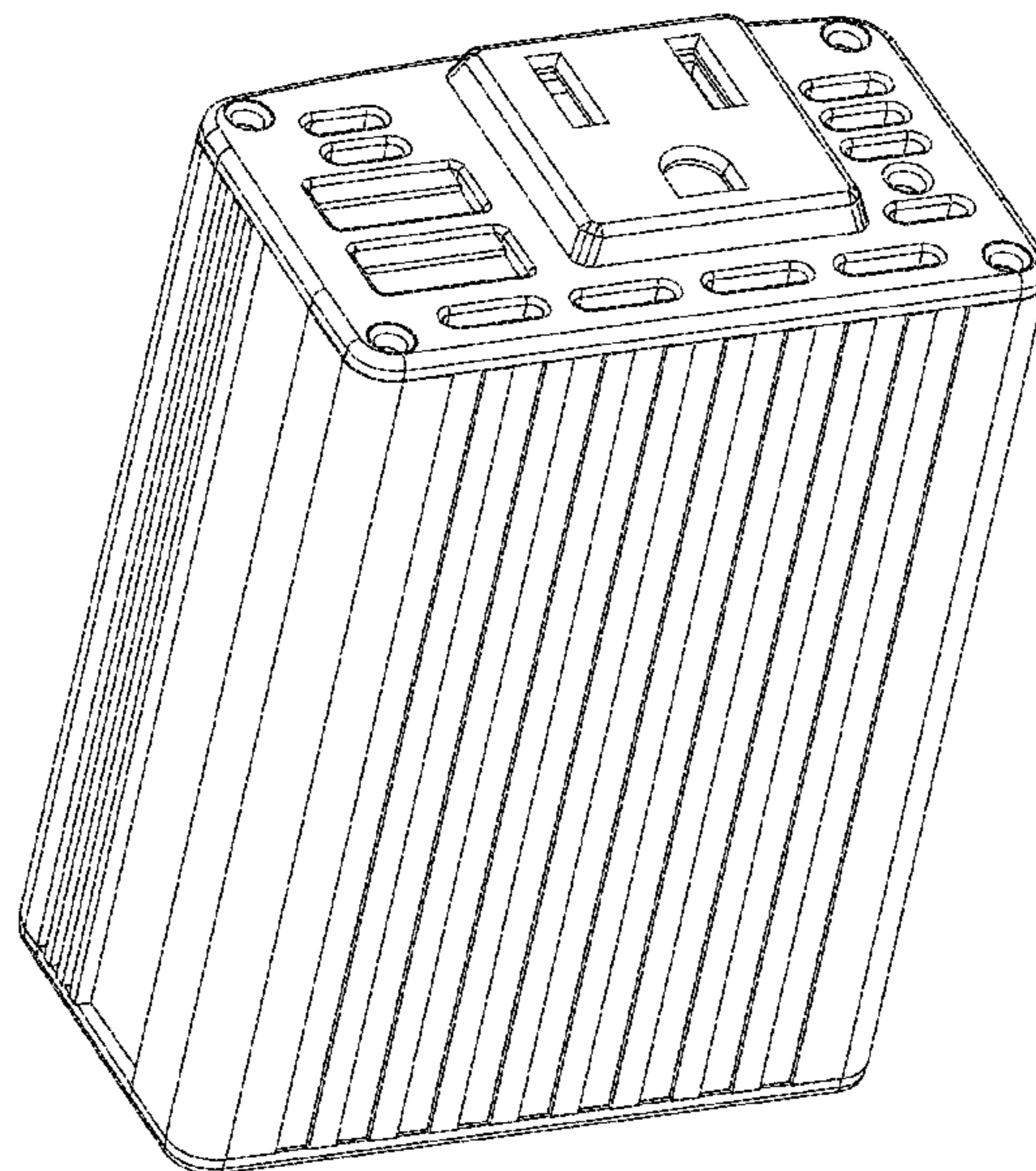
DESCRIPTION

FIG. 1 is a perspective view of power inverter;
FIG. 2 is a front view of power inverter;
FIG. 3 is a back view of power inverter;
FIG. 4 is a left side view of power inverter;
FIG. 5 is a right side view of power inverter;
FIG. 6 is a top view of power inverter; and,
FIG. 7 is a bottom view of power inverter.
The broken line portion of the figure drawings is included to show portions of the article that forms no part of the claimed design.

(56) **References Cited**
U.S. PATENT DOCUMENTS

D427,146 S * 6/2000 Wei D13/110
D427,148 S * 6/2000 Wei D13/110
D427,969 S * 7/2000 Wei D13/110
D558,142 S * 12/2007 Cho D13/110
D562,235 S * 2/2008 Hussaini D13/110
D700,141 S * 2/2014 Zhang D13/110
D709,448 S * 7/2014 Zhang D13/110
D716,730 S * 11/2014 Liu D13/110
D742,826 S * 11/2015 Hetzroni D13/110

1 Claim, 7 Drawing Sheets



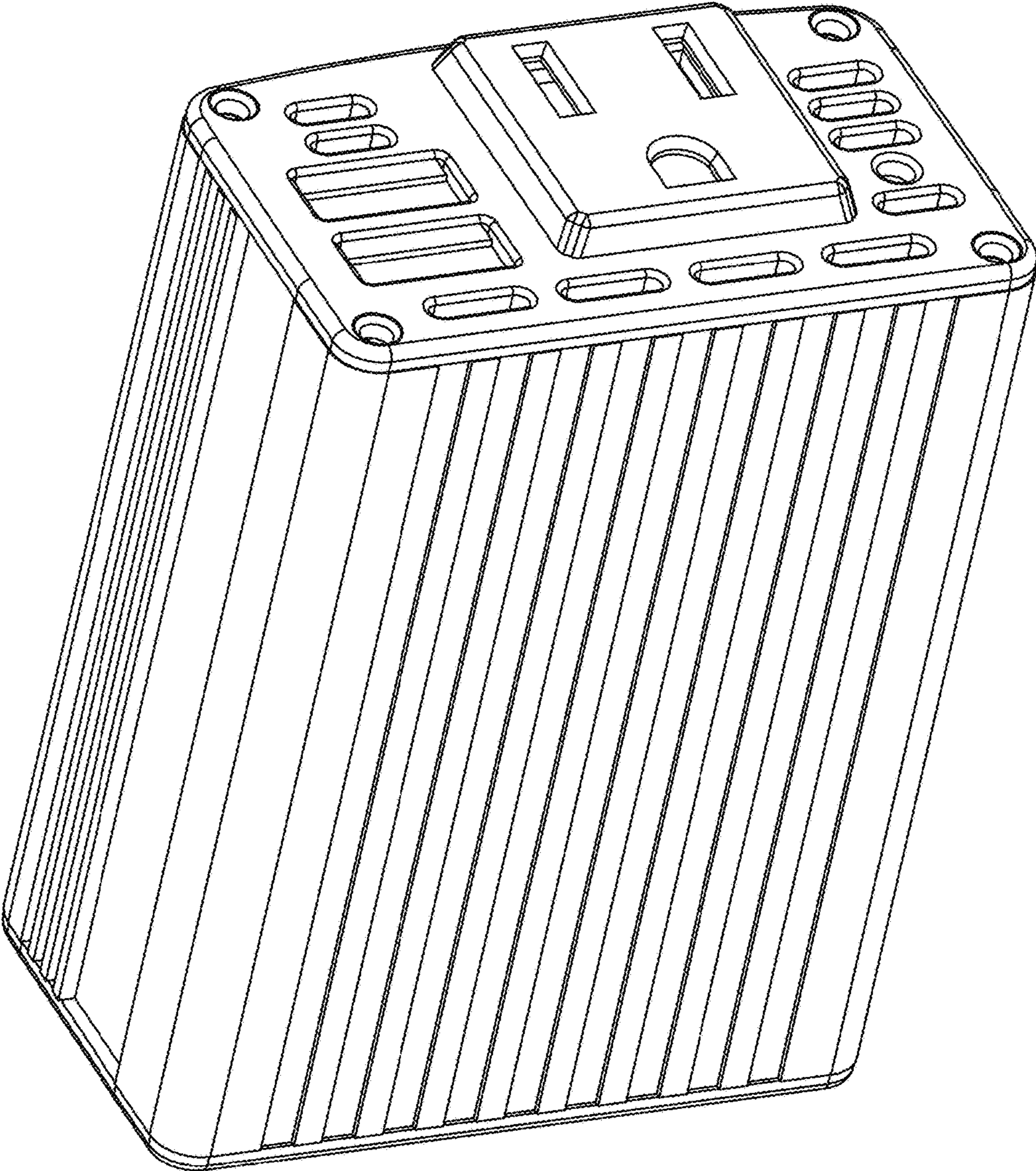


Fig. 1

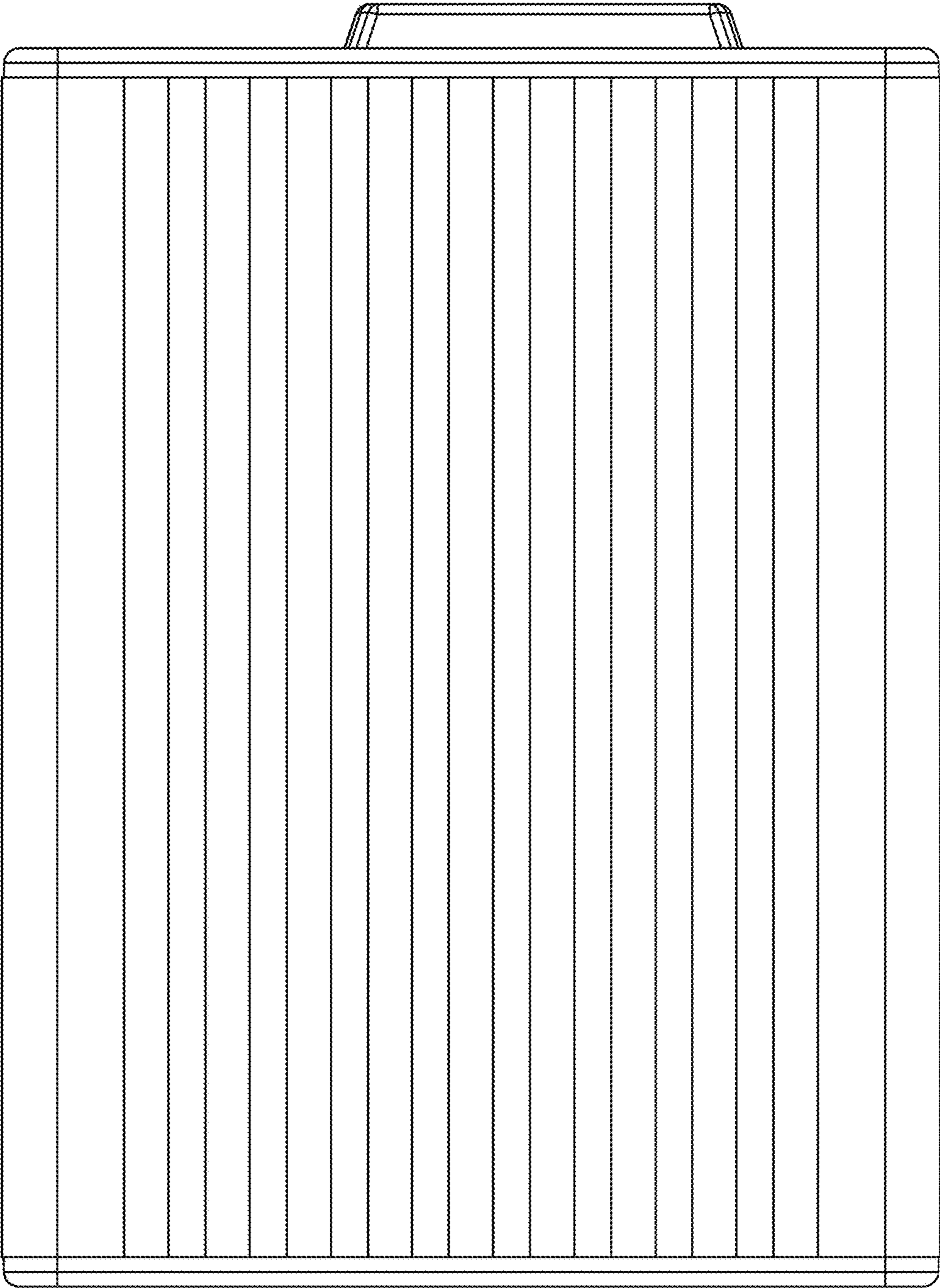


Fig. 2

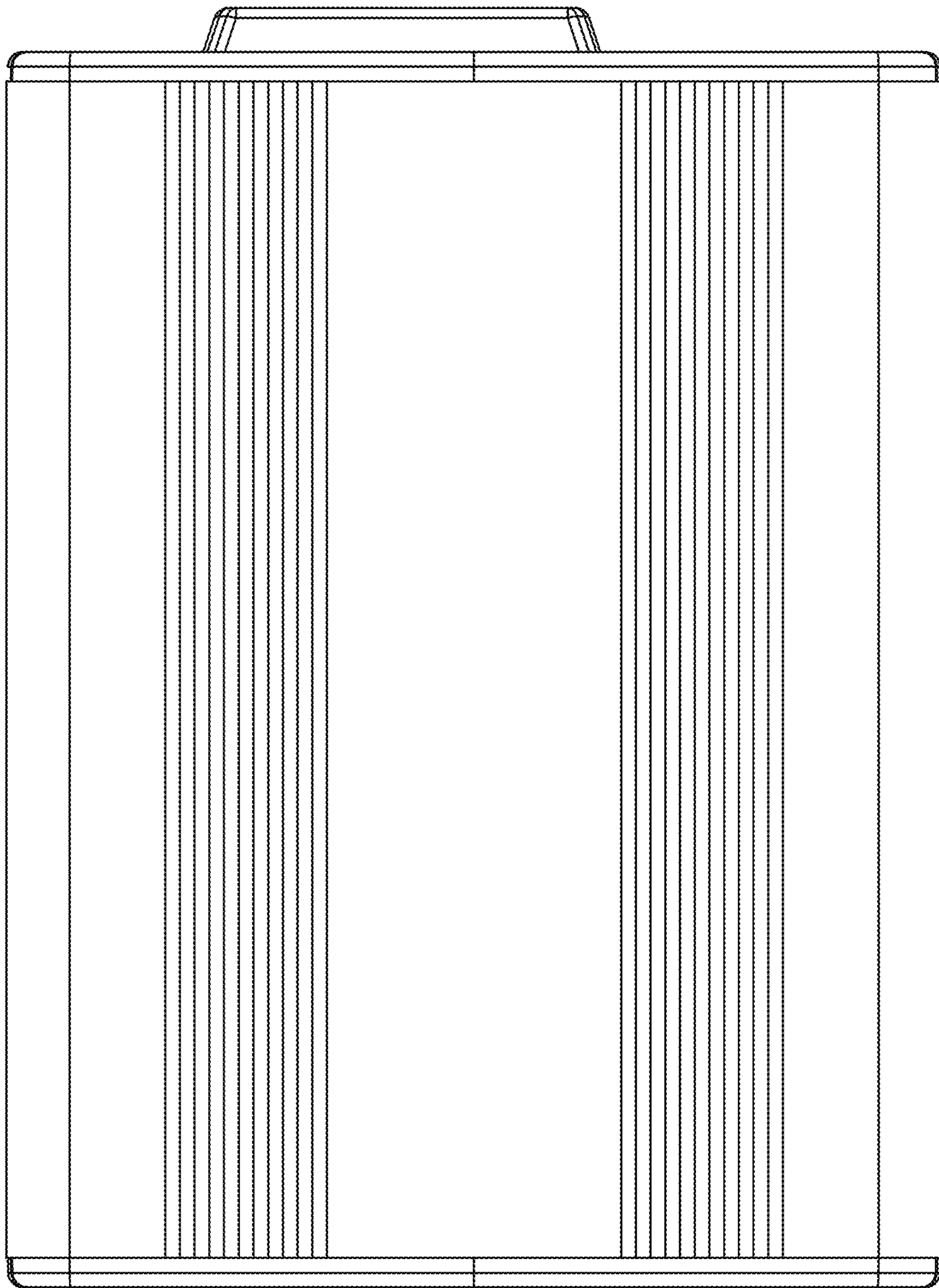


Fig. 3

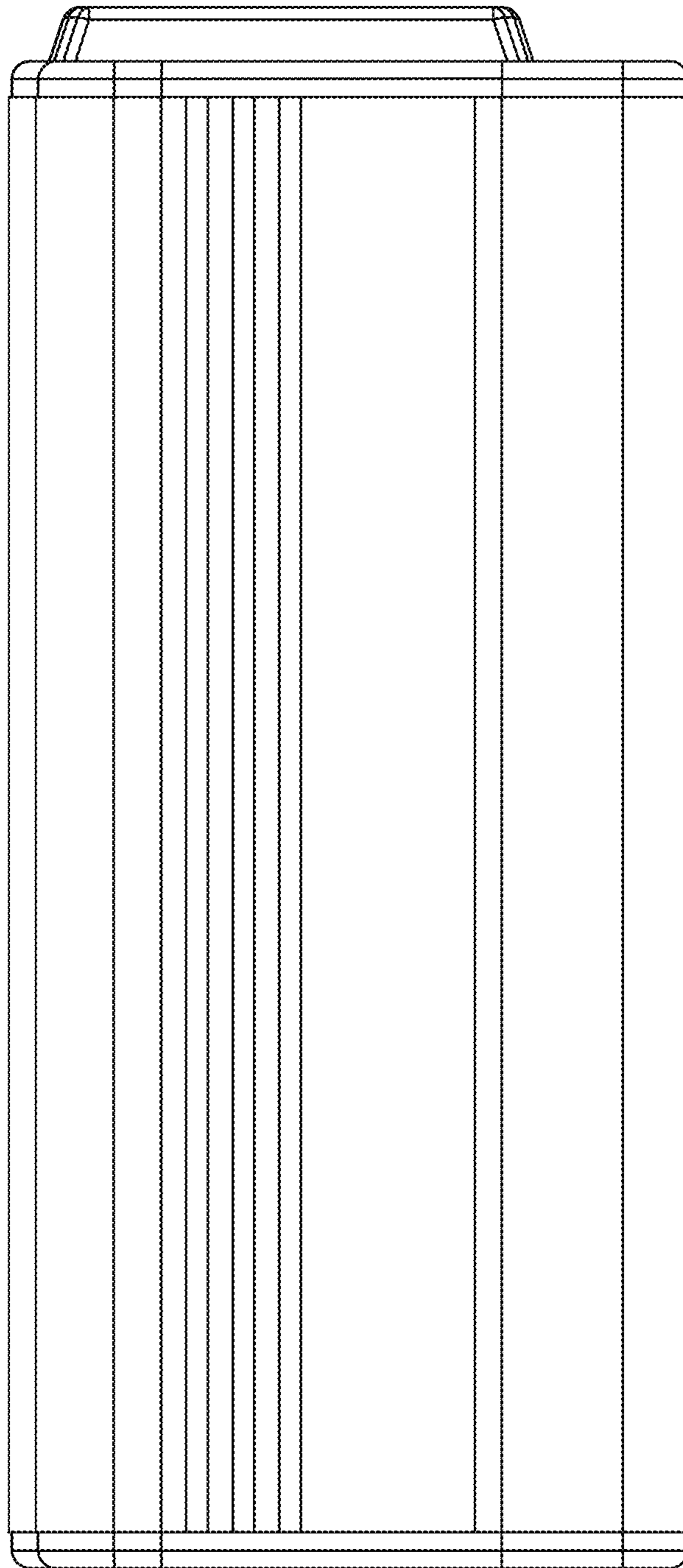


Fig. 4

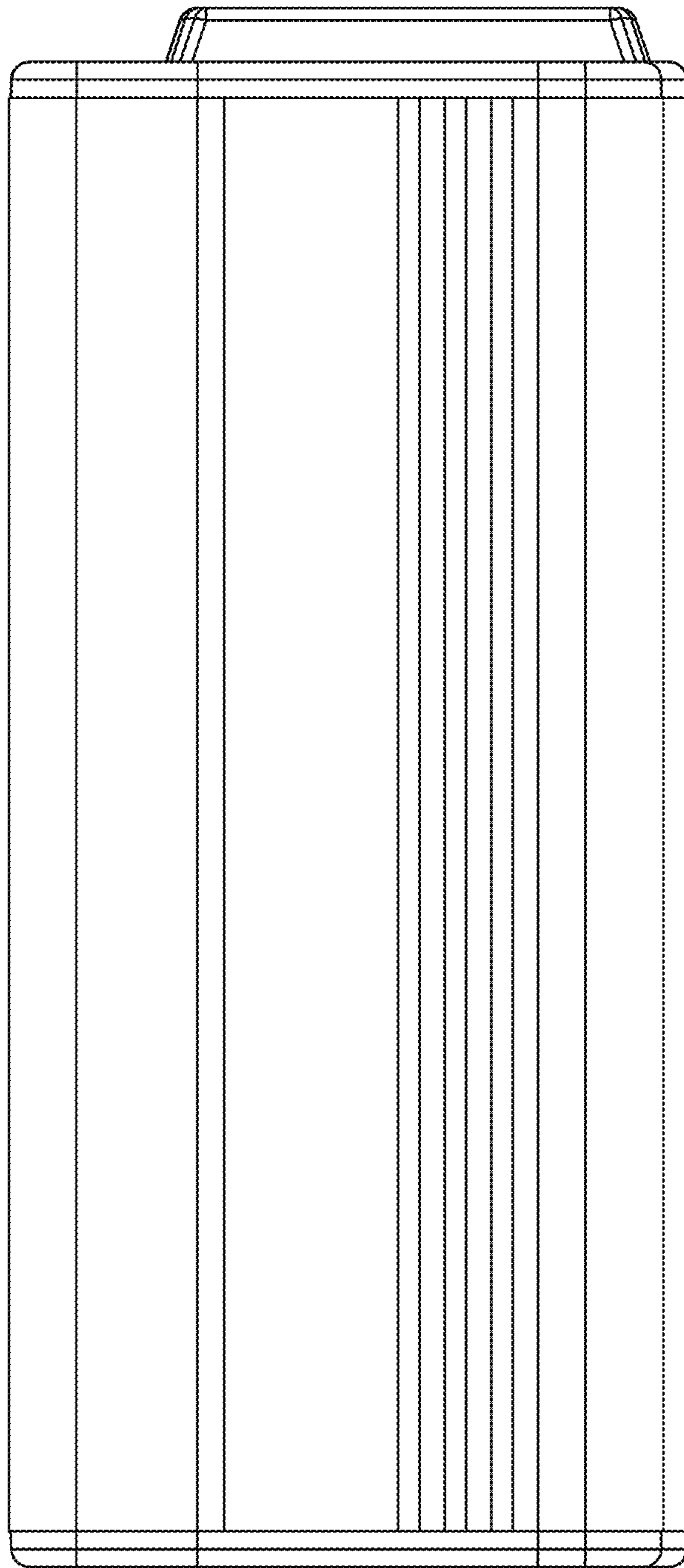


Fig. 5

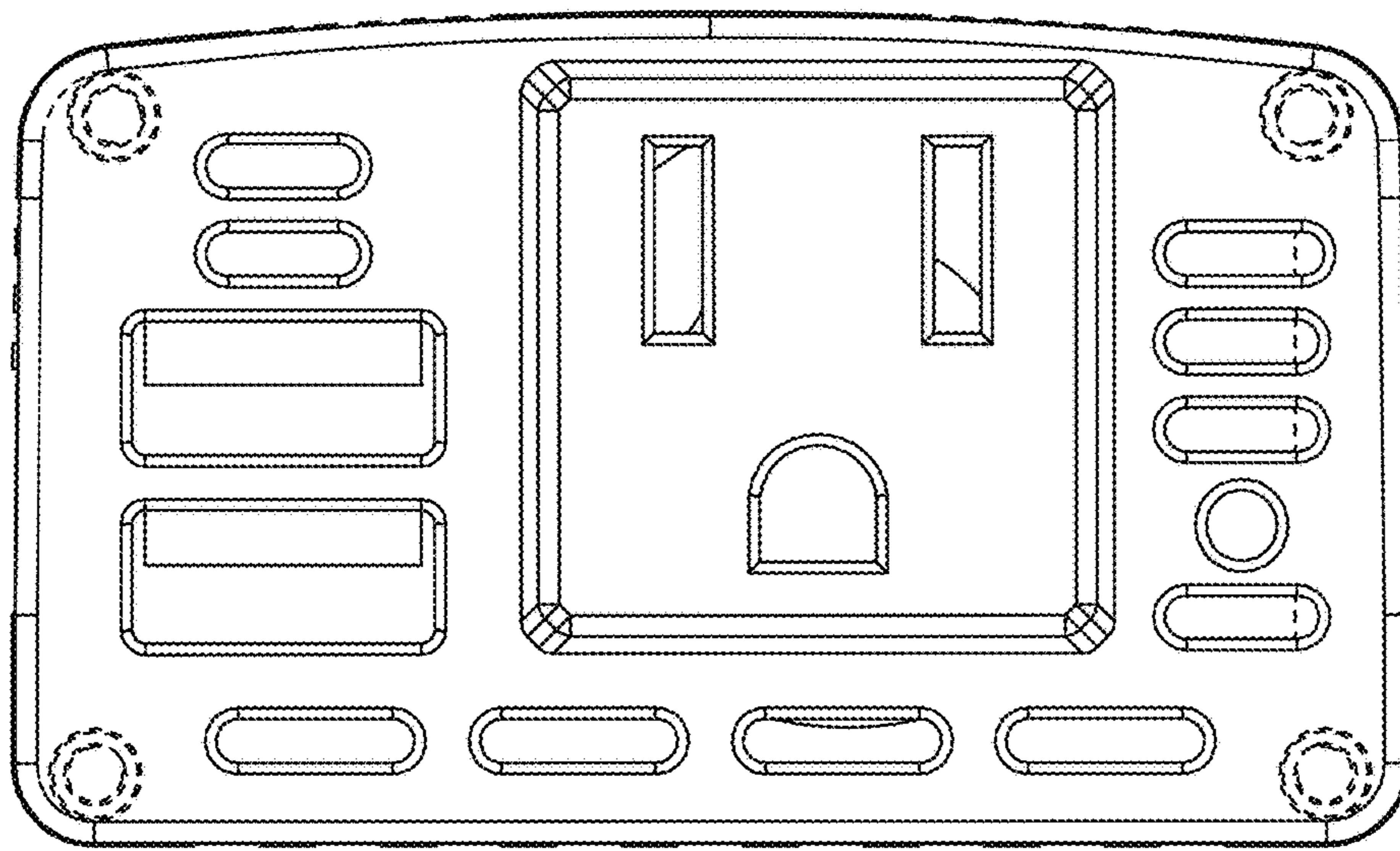


Fig. 6

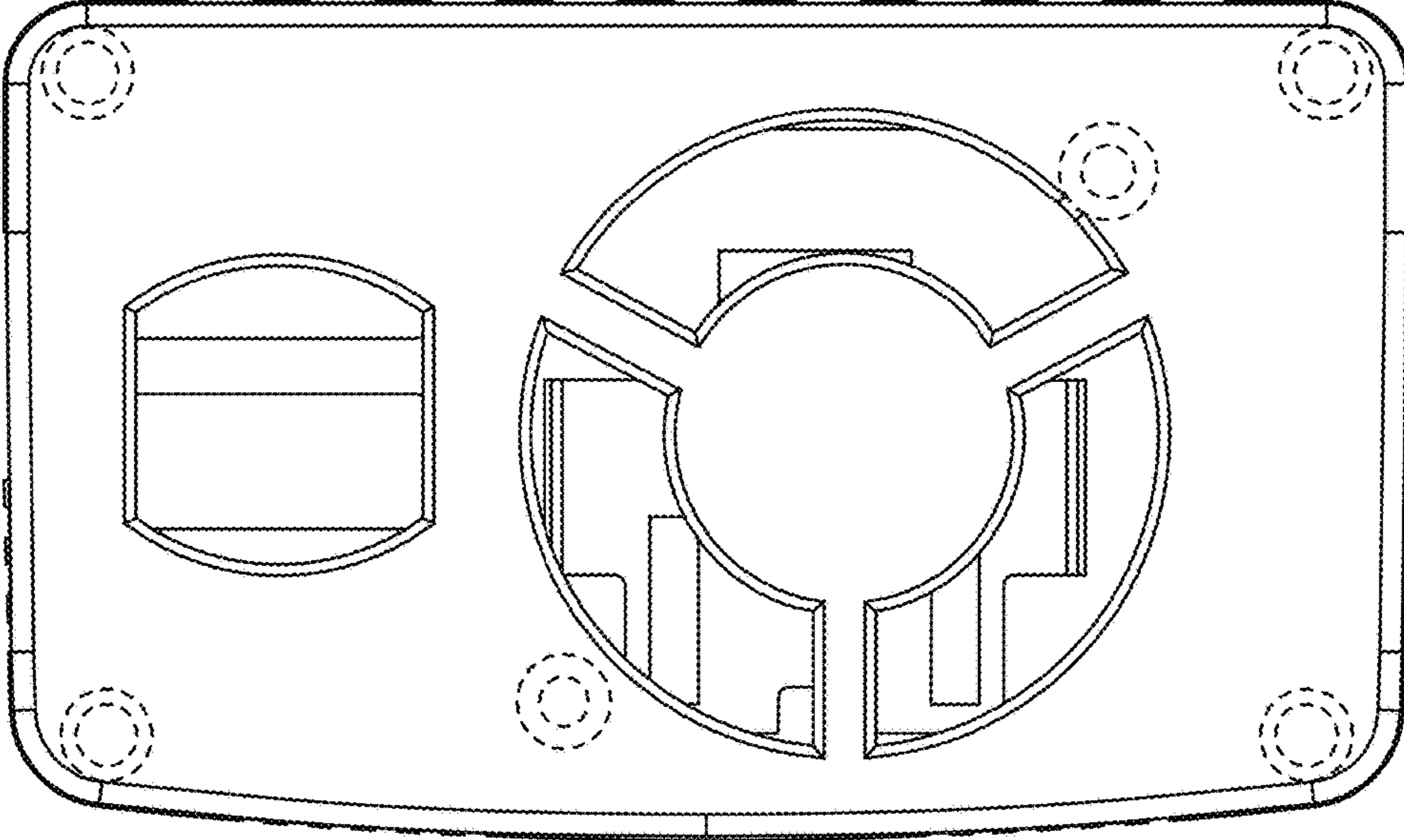


Fig. 7