



US00D818952S

(12) **United States Design Patent** (10) **Patent No.:** **US D818,952 S**  
**Wilcox et al.** (45) **Date of Patent:** **\*\* May 29, 2018**

(54) **POWER INJECTOR**

(71) Applicant: **Corning Optical Communications LLC**, Hickory, NC (US)

(72) Inventors: **Dayne Wilcox**, Menlo Park, CA (US); **Lea Kobeli**, San Francisco, CA (US); **Marie Noury**, Croix (FR); **Marcelle Van Beusekom**, San Francisco, CA (US)

(73) Assignee: **Corning Optical Communications LLC**, Hickory, NC (US)

(\*\*) Term: **15 Years**

(21) Appl. No.: **29/555,399**

(22) Filed: **Feb. 22, 2016**

(51) **LOC (11) Cl.** ..... **13-02**

(52) **U.S. Cl.**  
USPC ..... **D13/110**

(58) **Field of Classification Search**  
USPC ..... D13/108, 110, 123, 133, 137.1–137.4, D13/138.1–138.2, 139.1–139.8, 152–154, D13/156, 158, 177, 199, 107; D8/350–353, 331; D25/138, 163, 164, D25/144, 156; D9/430  
CPC ..... H01R 25/00; H01R 25/006; H01R 9/00; H01R 11/00; H01R 3/00; H05K 5/02; H02J 7/00; H02J 7/02  
See application file for complete search history.

(56) **References Cited**

**U.S. PATENT DOCUMENTS**

D328,251 S *	7/1992	Serna	.....	D9/430
D383,976 S *	9/1997	Allinsmith	.....	D9/430
D449,824 S	10/2001	Higa et al.		
D454,837 S *	3/2002	Ibuki	.....	D13/107
D471,543 S	3/2003	Yang et al.		
D476,764 S *	7/2003	Khovaylo	.....	D10/104.1
D482,614 S *	11/2003	Countee, Jr.	.....	D7/705

D486,125 S *	2/2004	Lim	.....	D13/108
D496,346 S	9/2004	Fuss et al.		
D514,562 S	2/2006	Lu et al.		
D520,947 S *	5/2006	Vinciarelli	.....	D13/110
D559,233 S	1/2008	Tang		
D562,761 S	2/2008	Ueda et al.		
D563,313 S	3/2008	Ueda et al.		
D581,355 S *	11/2008	Grant	.....	D13/107
D586,743 S *	2/2009	Guccione	.....	D13/107
D591,690 S	5/2009	Vogel et al.		
D637,162 S	5/2011	Bridgman		
D654,823 S	2/2012	Schweiger et al.		

(Continued)

**OTHER PUBLICATIONS**

Quality POE Injector for Hikvision CCTV IP Camera USA Power Over Ethernet Injector POE Switch Ethernet Adapter, Manufacturer XinRay Opto-electronic Technology, <https://www.newegg.com/Product/Product.aspx?Item=9SIADJR62H2913>.

*Primary Examiner* — Rosemary K Tarcza

*Assistant Examiner* — Christy Nemeth

(74) *Attorney, Agent, or Firm* — Adam R. Weeks

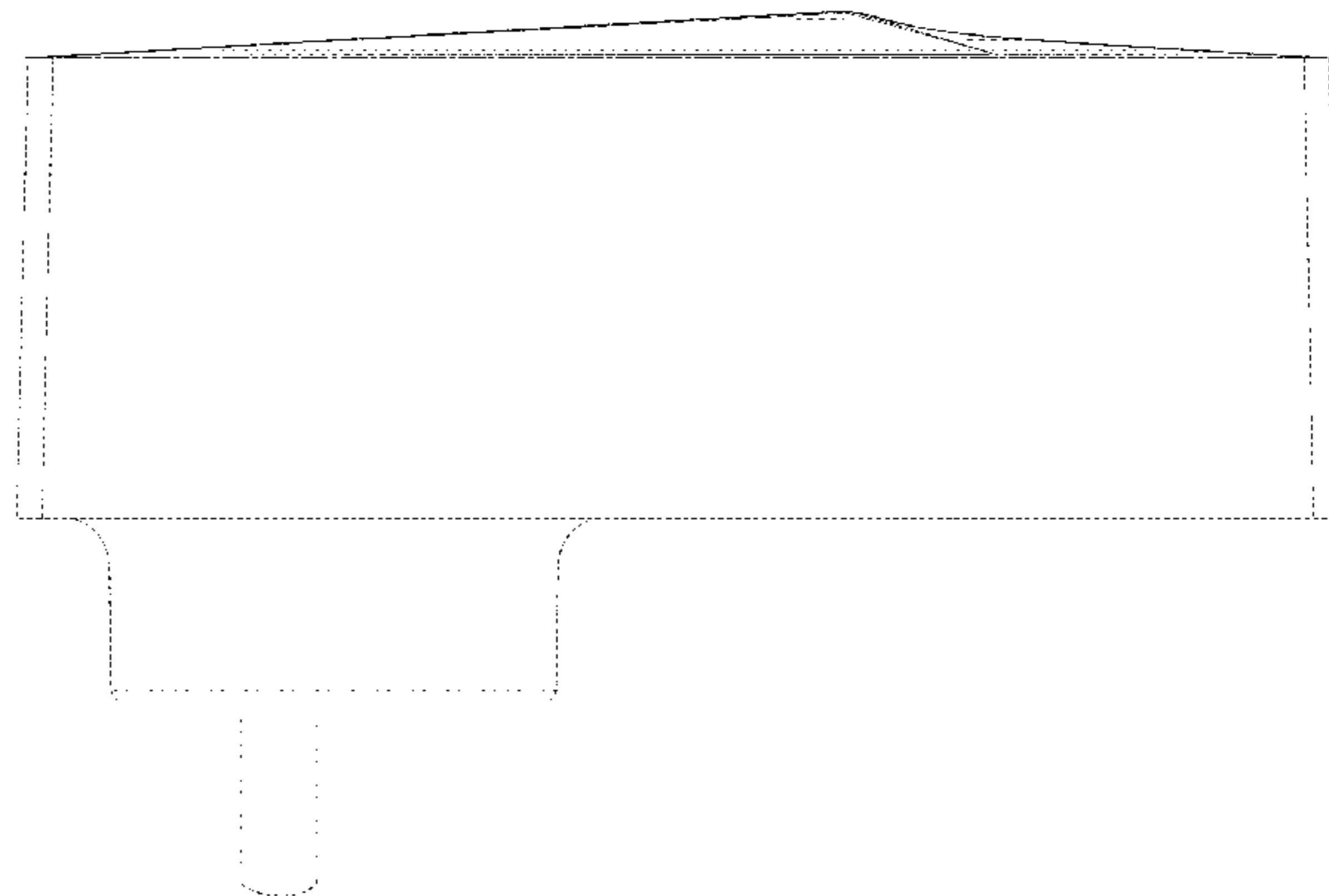
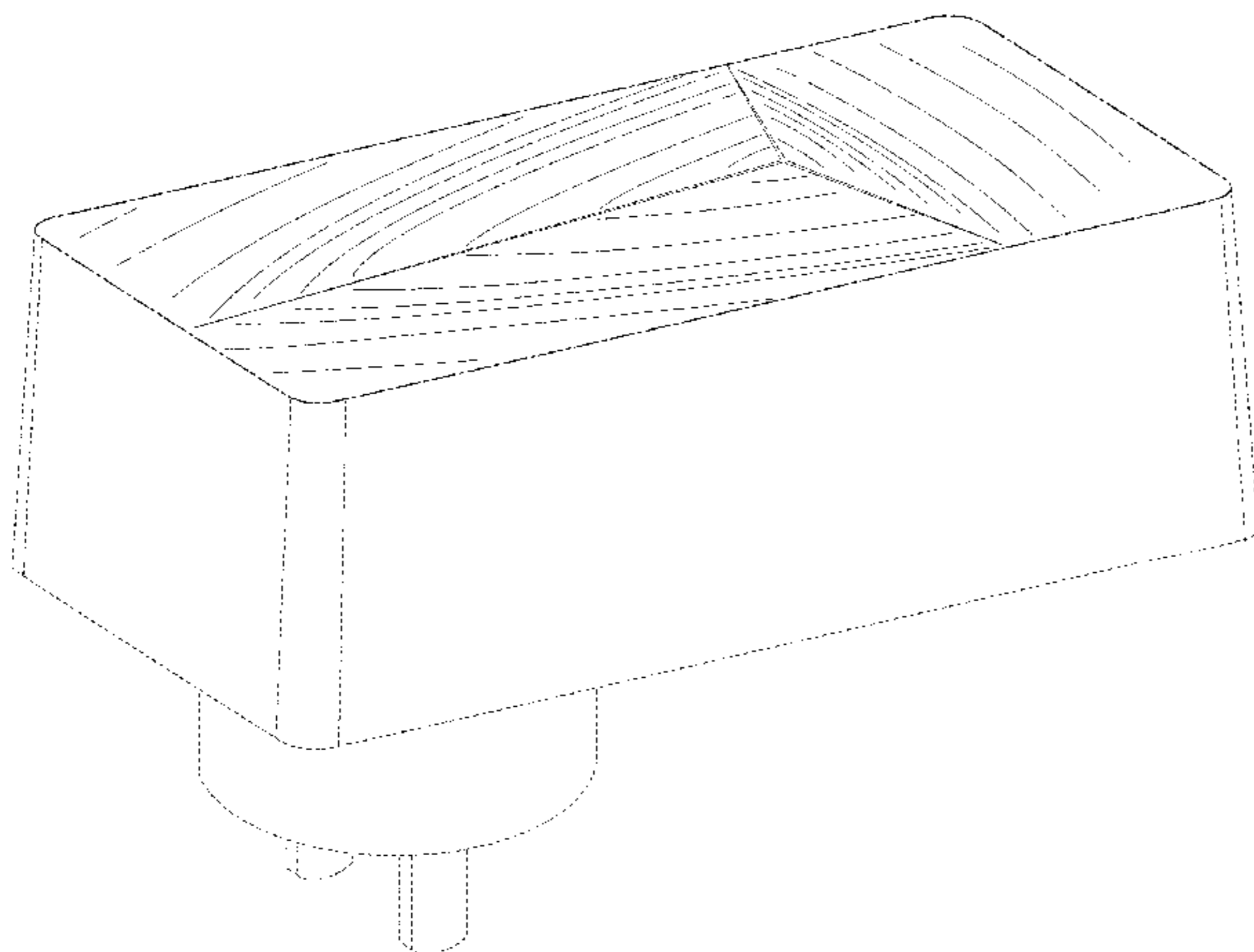
(57) **CLAIM**

The ornamental design for a power injector, as shown and described.

**DESCRIPTION**

FIG. 1 is a front perspective view of a power injector of our new design;  
FIG. 2 is a right view thereof;  
FIG. 3 is a left view thereof;  
FIG. 4 is a bottom view thereof;  
FIG. 5 is a top view thereof;  
FIG. 6 is a front view thereof; and,  
FIG. 7 is a rear view thereof.  
The broken lines in the drawings are included for the purpose of illustrating environmental structure and form no part of the claimed design.

**1 Claim, 7 Drawing Sheets**



(56)

**References Cited**

U.S. PATENT DOCUMENTS

D688,657 S 8/2013 Hallar et al.  
D698,349 S \* 1/2014 Sun ..... D14/315  
D703,154 S 4/2014 Clymer et al.  
D714,734 S 10/2014 Bertolotti  
D714,735 S 10/2014 Bertolotti  
D715,640 S \* 10/2014 Okezawa ..... D9/430  
D726,663 S 4/2015 Clymer et al.  
D732,041 S \* 6/2015 Conn ..... D14/433  
D739,385 S 9/2015 James et al.  
D760,920 S \* 7/2016 Bilge ..... D25/138  
D760,921 S \* 7/2016 Bilge ..... D25/138  
D788,581 S \* 6/2017 Gay ..... D9/430  
D791,774 S \* 7/2017 Wilcox ..... D14/444  
2014/0375268 A1 \* 12/2014 Zou ..... H01R 31/065  
320/111  
2015/0033953 A1 \* 2/2015 Fung ..... A47J 37/0611  
99/377

\* cited by examiner

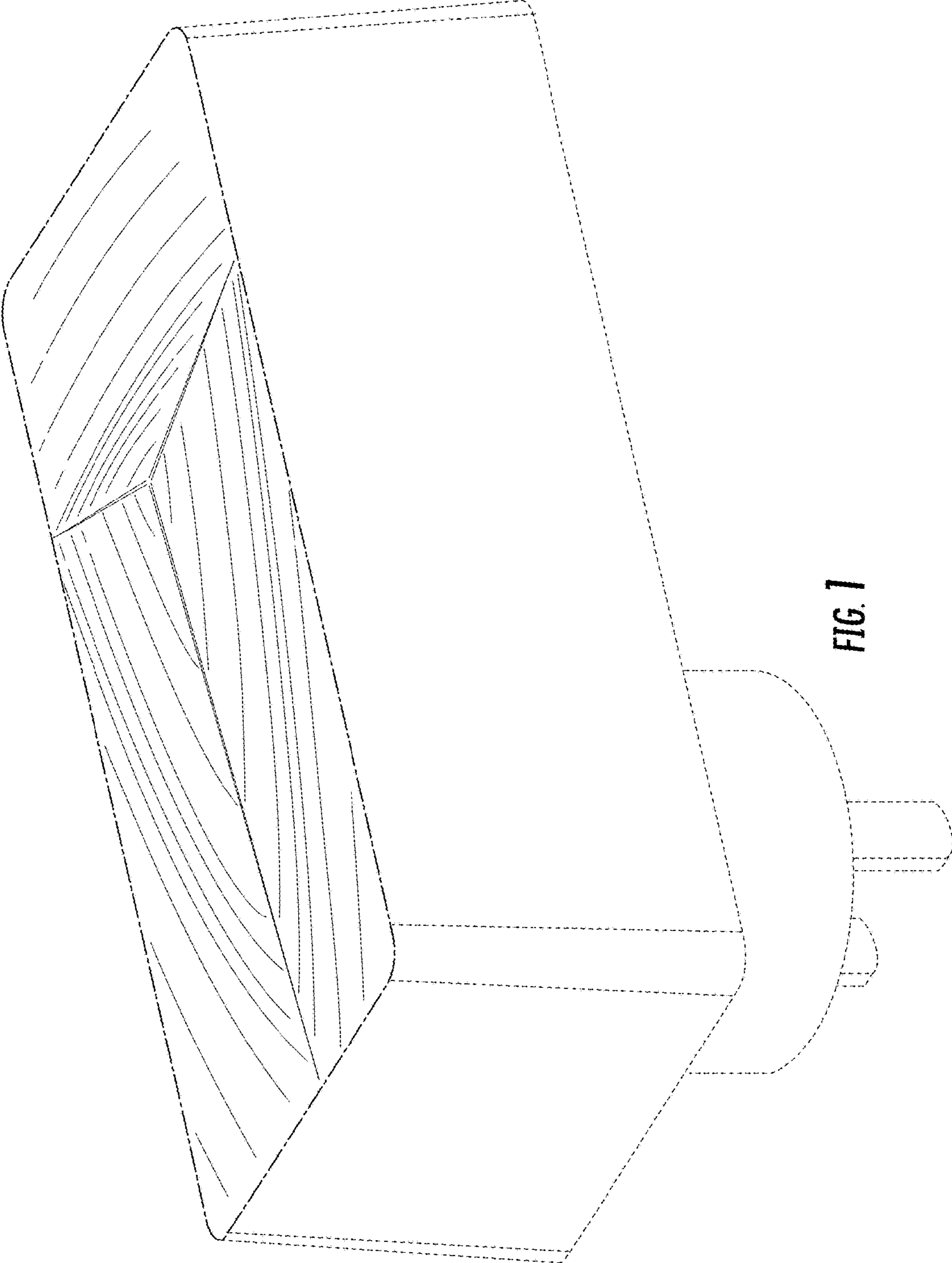


FIG. 1

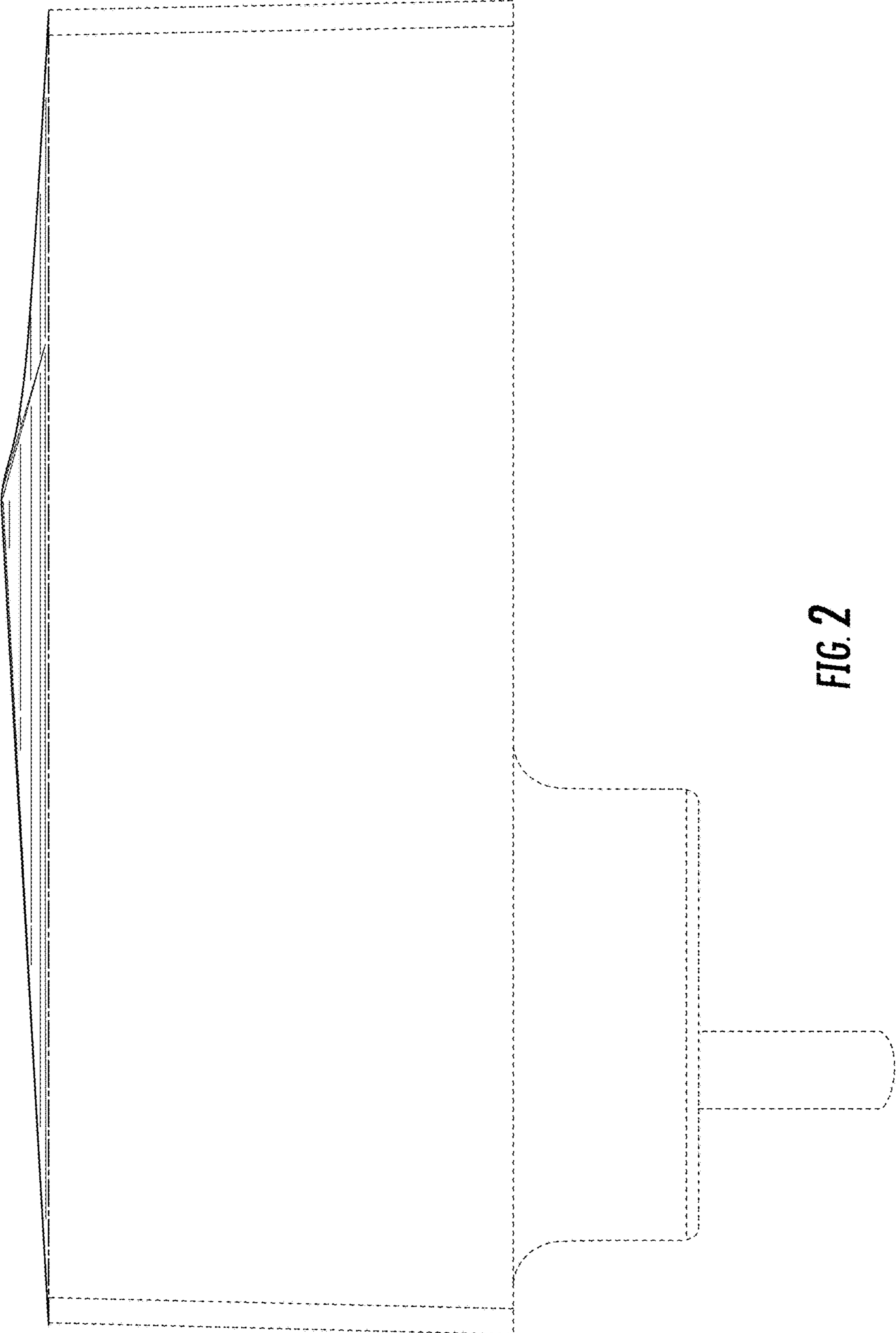


FIG. 2

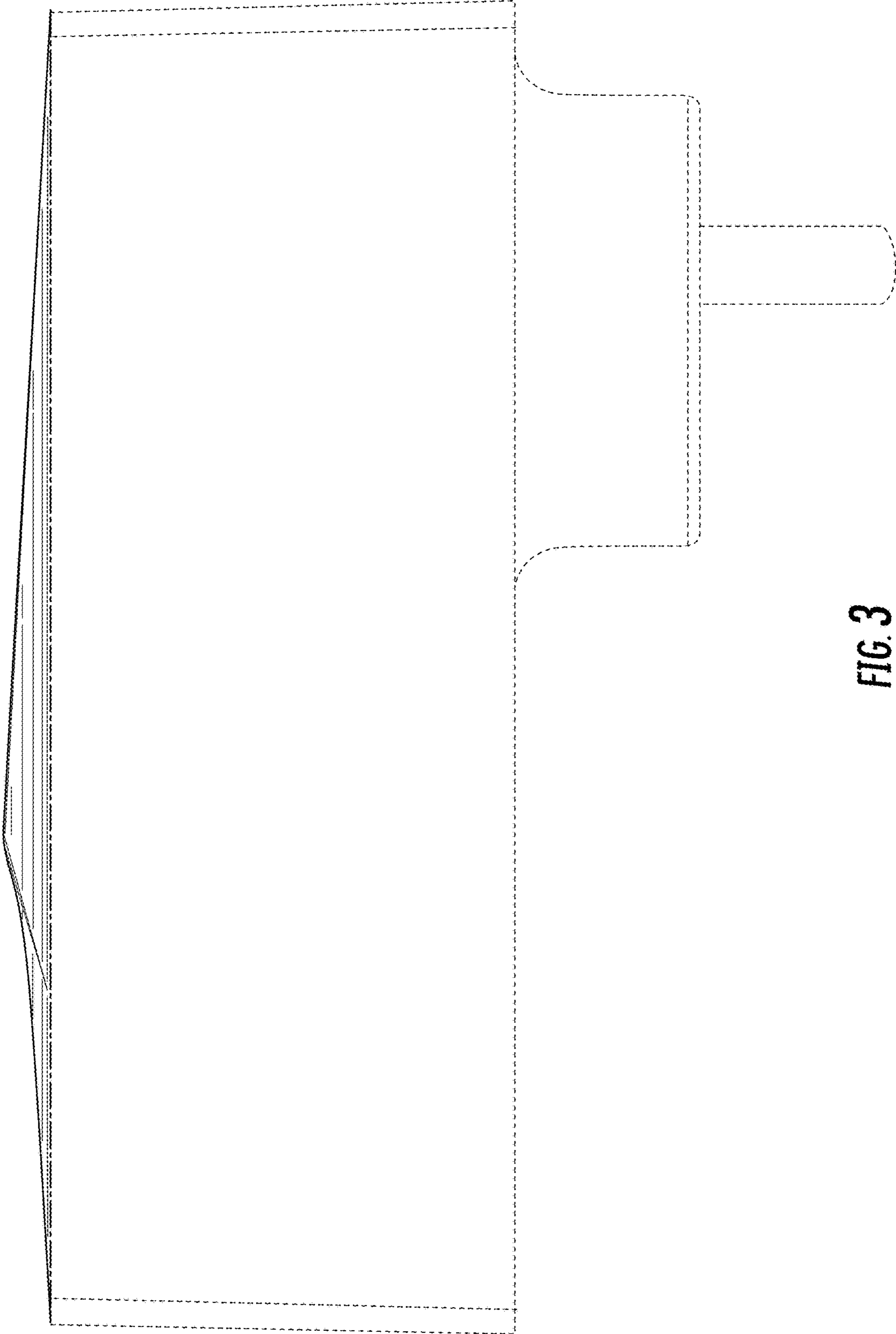


FIG. 3

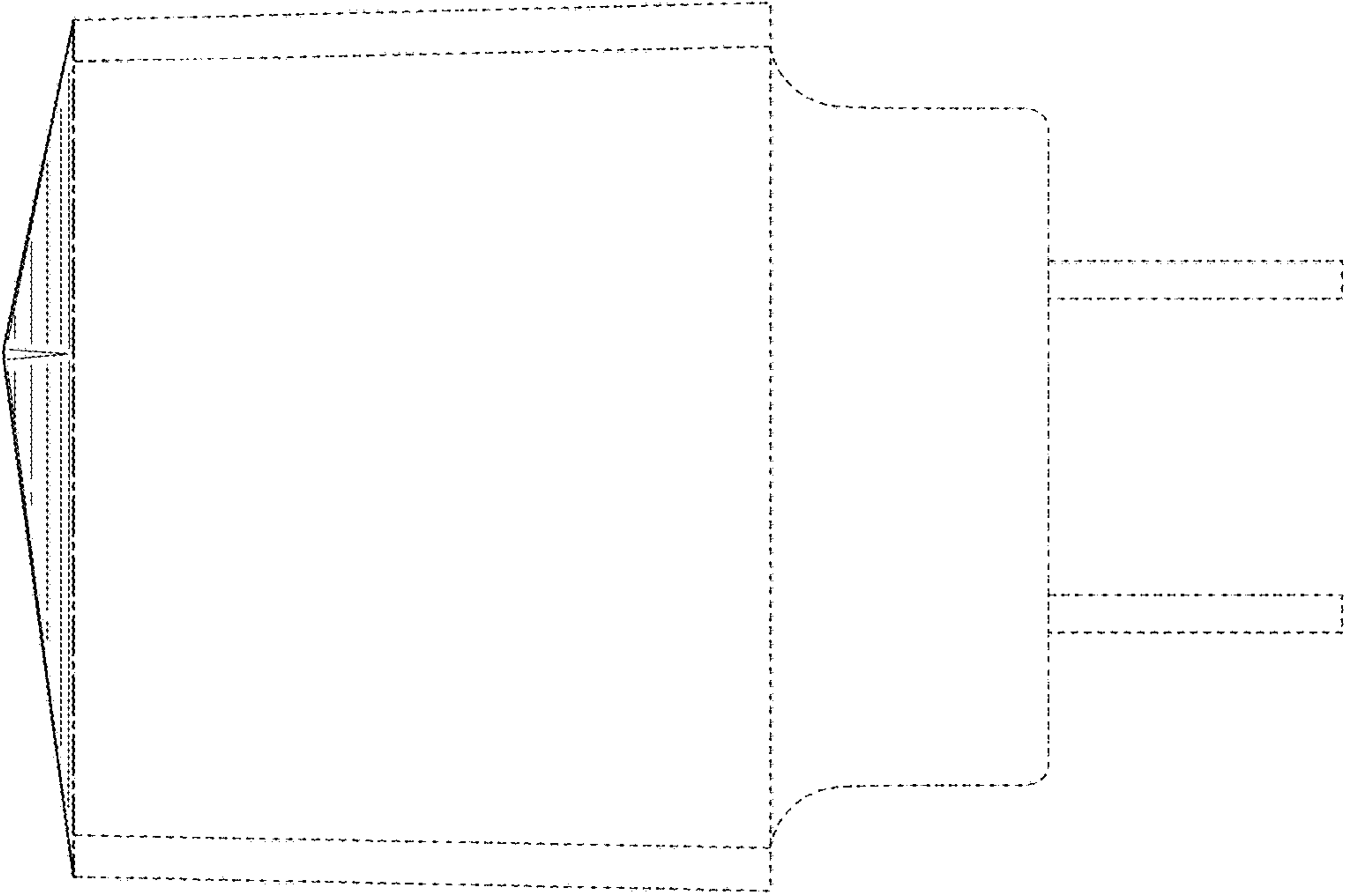


FIG. 4

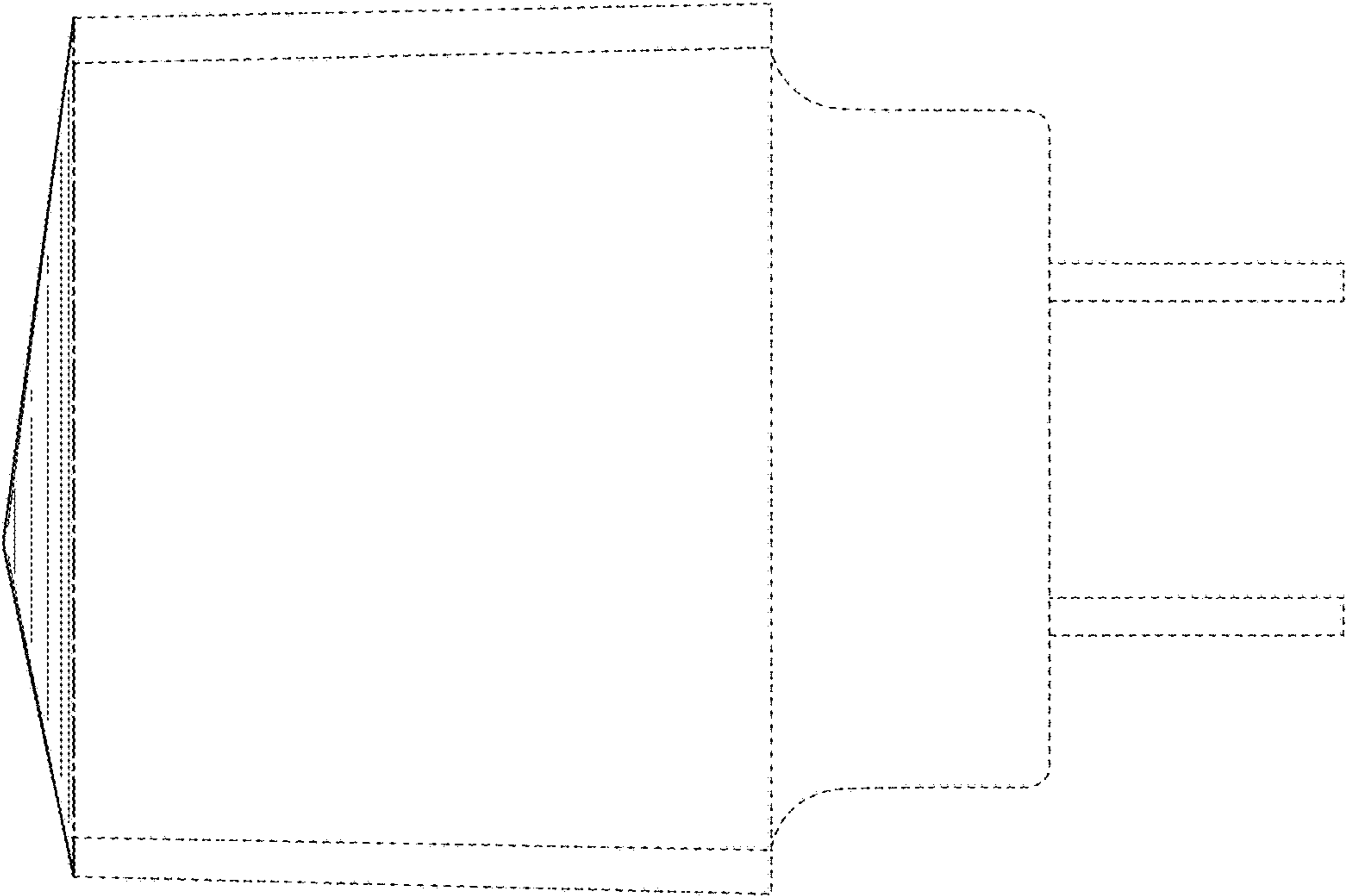


FIG. 5

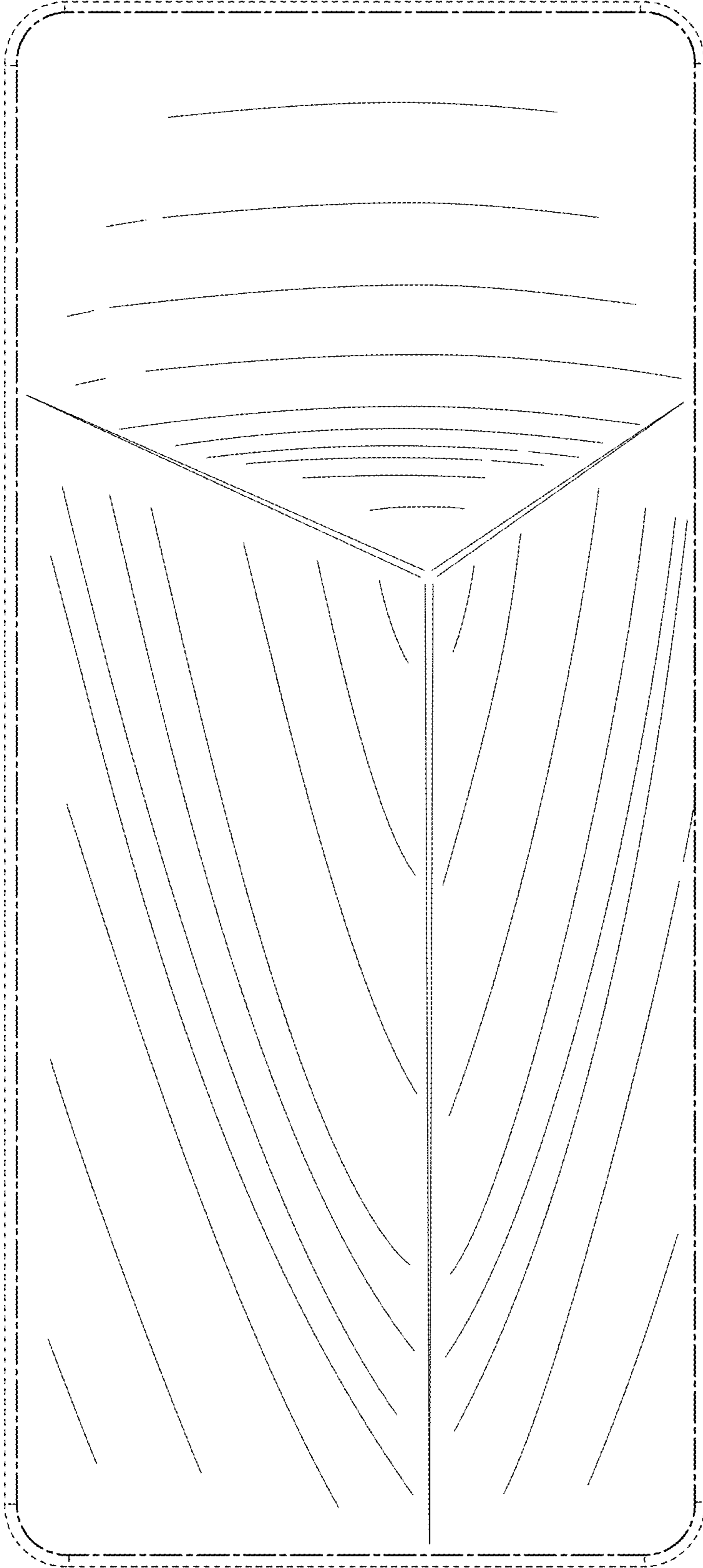


FIG. 6



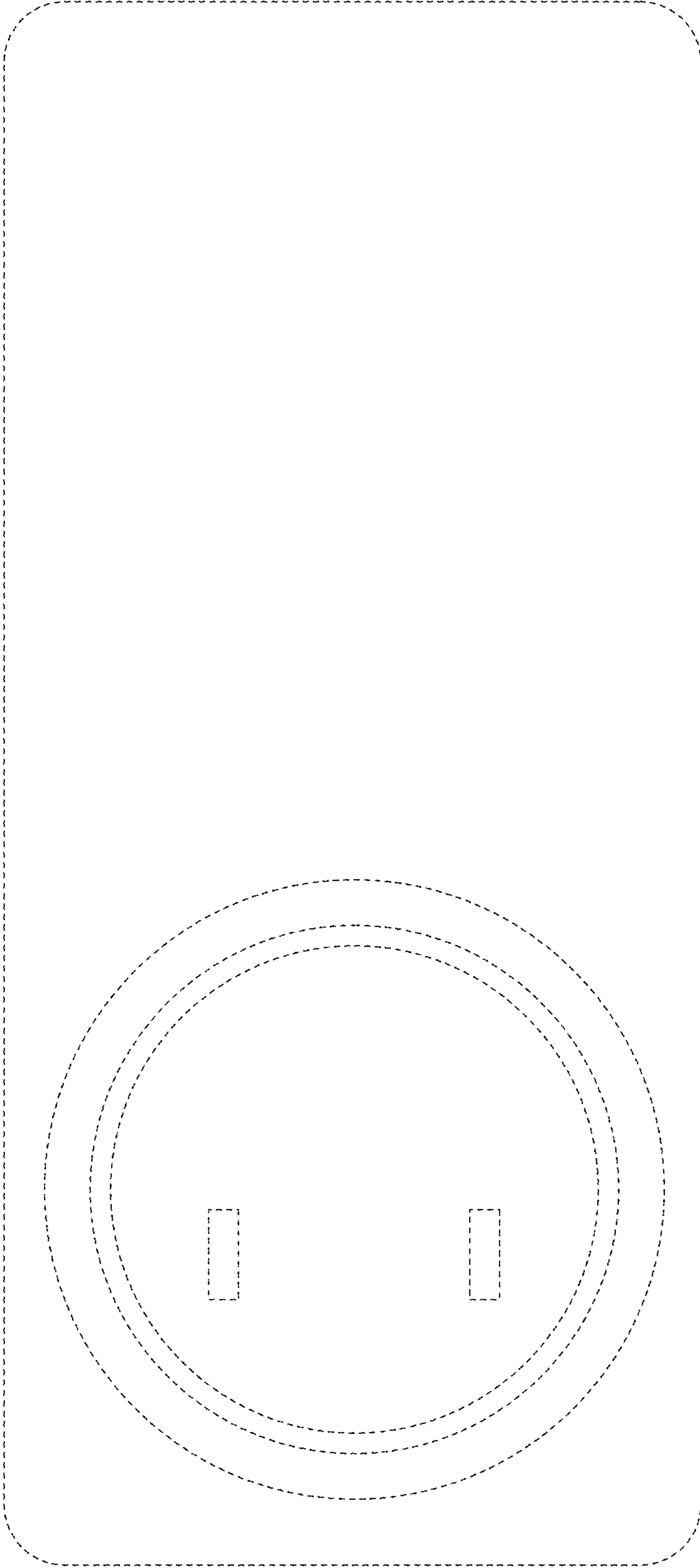


FIG. 7