



US00D818948S

(12) **United States Design Patent**  
**Waldron**

(10) **Patent No.:** **US D818,948 S**

(45) **Date of Patent:** **\*\* May 29, 2018**

(54) **BATTERY PACK**

(71) Applicant: **7RDD Limited**, North Yorkshire (GB)

(72) Inventor: **Michael Waldron**, Yorkshire (GB)

(73) Assignee: **7RDD Limited**, North Yorkshire (GB)

(\*\*) Term: **15 Years**

(21) Appl. No.: **29/596,578**

(22) Filed: **Mar. 9, 2017**

(51) **LOC (11) Cl.** ..... **13-02**

(52) **U.S. Cl.**  
USPC ..... **D13/103**

(58) **Field of Classification Search**

USPC ..... D13/102-104, 110, 118-121, 184, 199,  
D13/107, 108; D14/356, 432; D20/27,  
D20/22  
CPC ..... Y02E 60/12; Y02E 60/122; Y02E 60/124;  
Y02E 60/50; H01M 10/4257; H01M  
10/0436; H01M 10/48; H01M 10/44;  
H01M 10/46; H01M 10/482; H01M  
10/465; H01M 2/02; H01M 2/022; H01M  
2/0202; H01M 2/0207; H01M 2/0212;  
H01M 2/1061; H01M 2/1022; H01M  
2/1055; H01M 2/1066; H01M 2/105;  
H01M 2/204; H02J 7/00; H02J 7/0003;  
H02J 7/0011; H02J 7/0013; H02J 7/0054;  
H02J 7/0055; H02J 7/0057; H02J  
2007/0062

See application file for complete search history.

(56) **References Cited**

**U.S. PATENT DOCUMENTS**

D481,672 S \* 11/2003 Niwa ..... D13/103  
D516,504 S \* 3/2006 Okuda ..... D13/103  
D545,759 S \* 7/2007 Ino ..... D13/103  
D550,152 S \* 9/2007 Okuda ..... D13/103  
D568,239 S \* 5/2008 Okada ..... D13/103

D589,441 S \* 3/2009 Van Wambeke ..... D13/103  
D597,931 S \* 8/2009 Aglassinger ..... D13/103  
D597,933 S \* 8/2009 Aglassinger ..... D13/103  
D597,935 S \* 8/2009 Aglassinger ..... D13/103  
D598,373 S \* 8/2009 Aglassinger ..... D13/103  
D604,694 S \* 11/2009 Aglassinger ..... D13/103  
D604,695 S \* 11/2009 Aglassinger ..... D13/103  
D622,661 S \* 8/2010 Yamada ..... D13/103  
D639,730 S \* 6/2011 Kawase ..... D13/103  
D640,190 S \* 6/2011 Aglassinger ..... D13/103  
D640,628 S \* 6/2011 Lopano ..... D13/103  
D640,975 S \* 7/2011 Okuda ..... D13/103  
D643,809 S \* 8/2011 Okuda ..... D13/103  
D658,578 S \* 5/2012 Davis ..... D13/103  
D682,192 S \* 5/2013 Corbin ..... D13/103  
D682,193 S \* 5/2013 Corbin ..... D13/103  
D682,194 S \* 5/2013 Jiang ..... D13/103  
D684,528 S \* 6/2013 Murray ..... D13/103  
D685,730 S \* 7/2013 Hamm ..... D13/103

(Continued)

*Primary Examiner* — Rosemary K Tarcza  
*Assistant Examiner* — Christy M Nemeth  
(74) *Attorney, Agent, or Firm* — Woodard, Emhardt,  
Moriarty, McNett & Henry LLP

(57) **CLAIM**

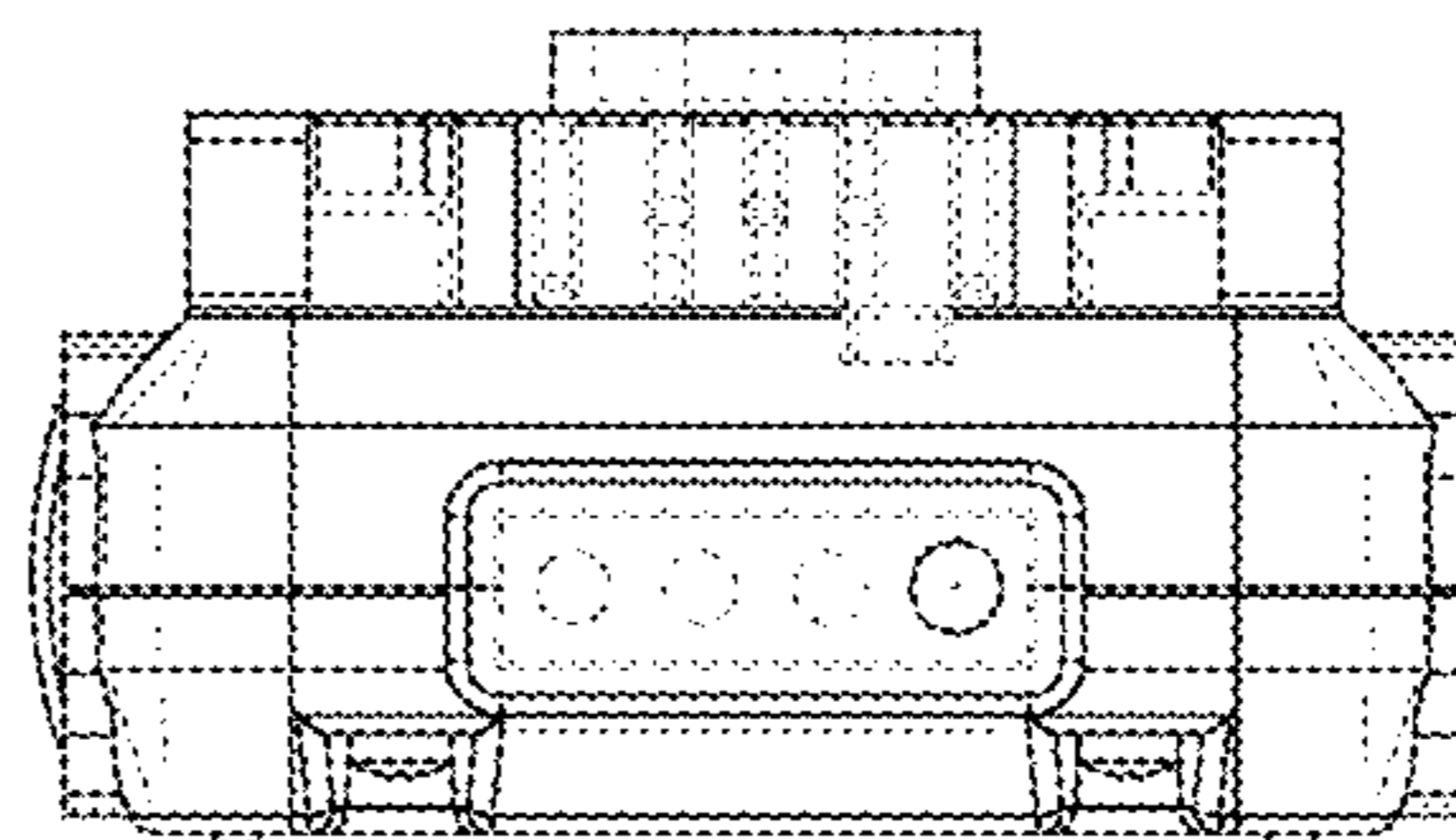
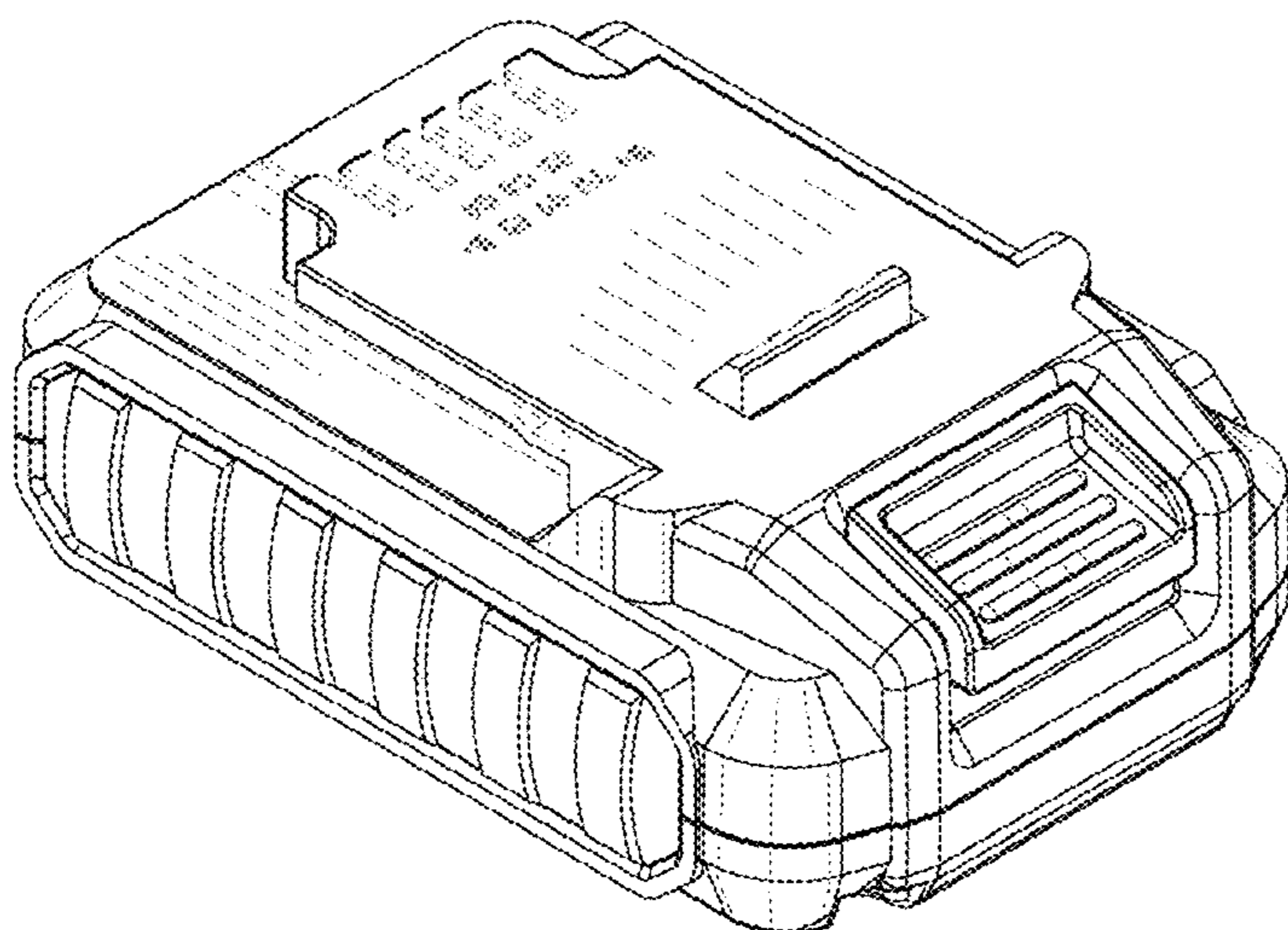
The ornamental design for a battery pack, as shown and described.

**DESCRIPTION**

FIG. 1 is a perspective view of a battery pack showing my new design;  
FIG. 2 is a left side view thereof;  
FIG. 3 is a right side view thereof;  
FIG. 4 is a front view thereof;  
FIG. 5 is a rear view thereof;  
FIG. 6 is a top view; and,  
FIG. 7 is a bottom view thereof.

The broken lines in the drawings are for the purpose of illustrating portions of the battery pack that form no part of the claimed design.

**1 Claim, 4 Drawing Sheets**



(56)

References Cited

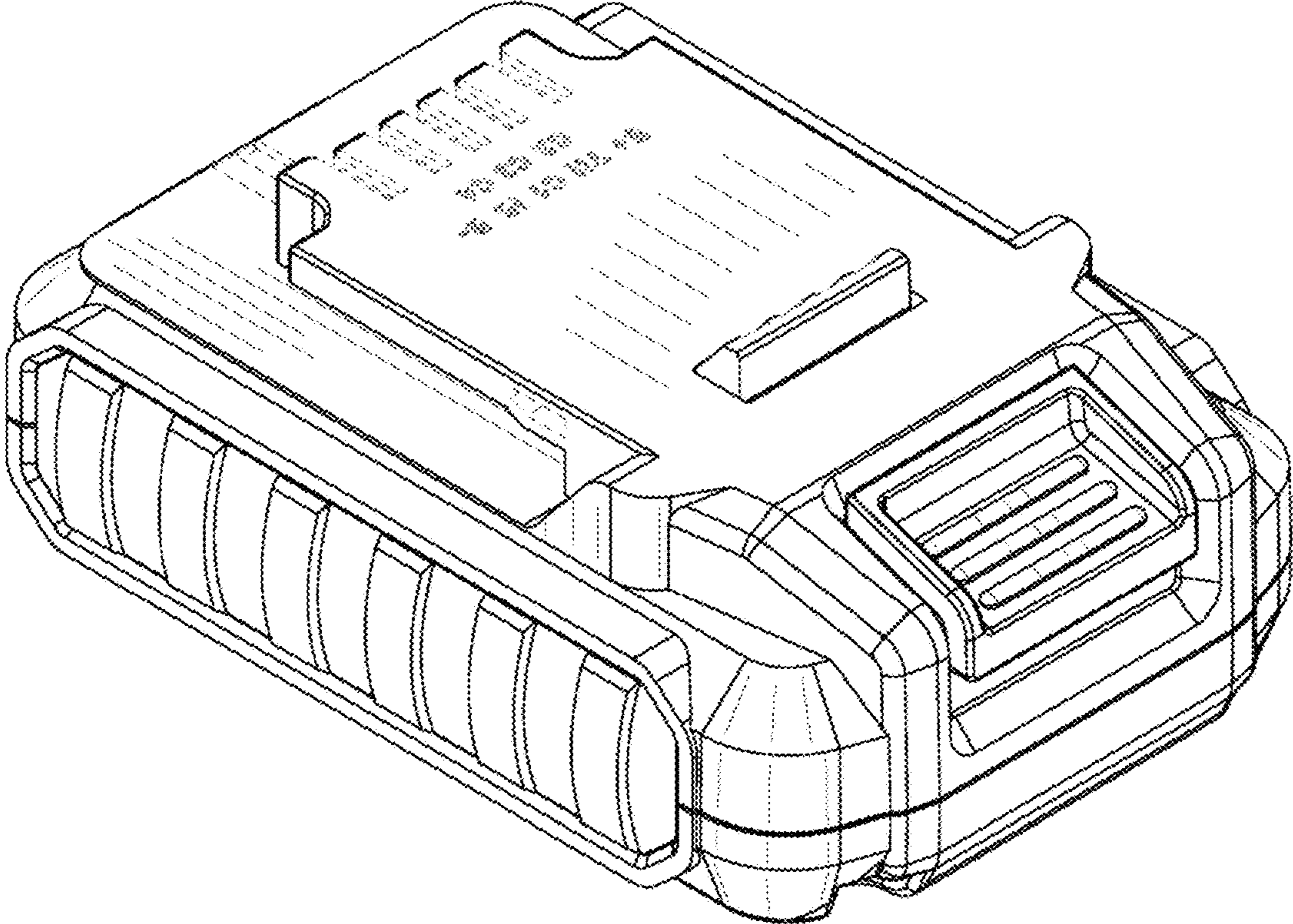
U.S. PATENT DOCUMENTS

D699,180 S \* 2/2014 Sweere ..... D13/103  
 D699,670 S \* 2/2014 Cooper ..... D13/103  
 D710,794 S \* 8/2014 Busschaert ..... D13/103  
 D712,826 S \* 9/2014 Marino ..... D13/103  
 D718,705 S \* 12/2014 Naksen ..... D13/103  
 9,318,729 B2 \* 4/2016 Ogura ..... H01M 2/1055  
 D770,377 S \* 11/2016 Kondo ..... D13/103  
 D776,610 S \* 1/2017 Nommensen ..... D13/103  
 D780,687 S \* 3/2017 Taniguchi ..... D13/103  
 D780,688 S \* 3/2017 Elder ..... D13/103  
 D785,562 S \* 5/2017 Cooper ..... D13/103  
 D790,453 S \* 6/2017 Tinius ..... D13/103  
 D797,661 S \* 9/2017 Elder ..... D13/103  
 2011/0097619 A1 \* 4/2011 Park ..... H01M 2/105  
 429/159  
 2012/0043928 A1 \* 2/2012 Yoneda ..... H01M 2/1055  
 320/107  
 2012/0058384 A1 \* 3/2012 Ogura ..... H01M 2/1055  
 429/159  
 2012/0251848 A1 \* 10/2012 Cho ..... H01M 2/1055  
 429/7

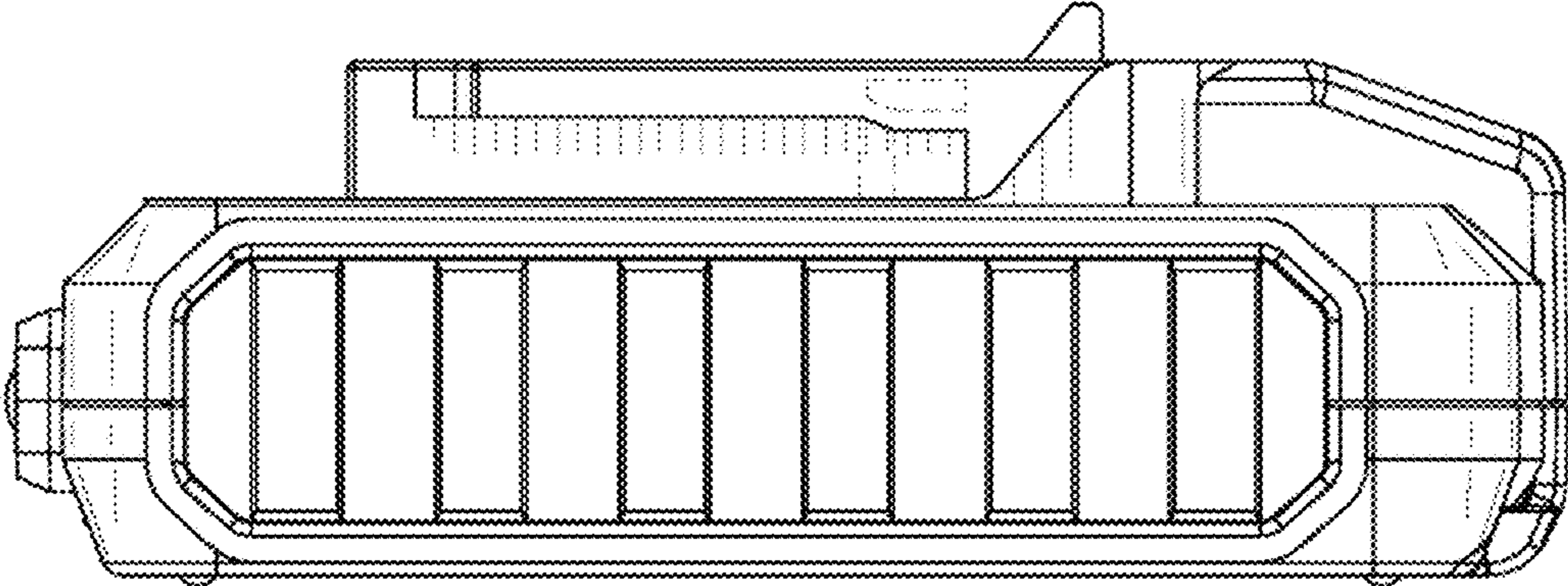
2013/0089764 A1 \* 4/2013 Melnyk ..... H01M 2/1022  
 429/72  
 2014/0127543 A1 \* 5/2014 Cho ..... H01M 2/1016  
 429/99  
 2014/0272516 A1 \* 9/2014 Tennison ..... H01M 2/105  
 429/120  
 2014/0302353 A1 \* 10/2014 Ogura ..... H01M 2/1055  
 429/7  
 2014/0302369 A1 \* 10/2014 Naito ..... H01M 2/1055  
 429/100  
 2014/0302376 A1 \* 10/2014 Naito ..... H01M 2/1055  
 429/156  
 2014/0302377 A1 \* 10/2014 Naito ..... H01M 2/105  
 429/156  
 2016/0072106 A1 \* 3/2016 Baumgartner ..... H01M 2/1022  
 320/113  
 2016/0172722 A1 \* 6/2016 Rejman ..... H01M 10/488  
 362/119  
 2016/0240901 A1 \* 8/2016 Kondo ..... H01M 10/6566  
 2016/0359151 A1 \* 12/2016 Beyerl ..... H01M 2/1055  
 2017/0012272 A1 \* 1/2017 Naito ..... H01M 2/30

\* cited by examiner

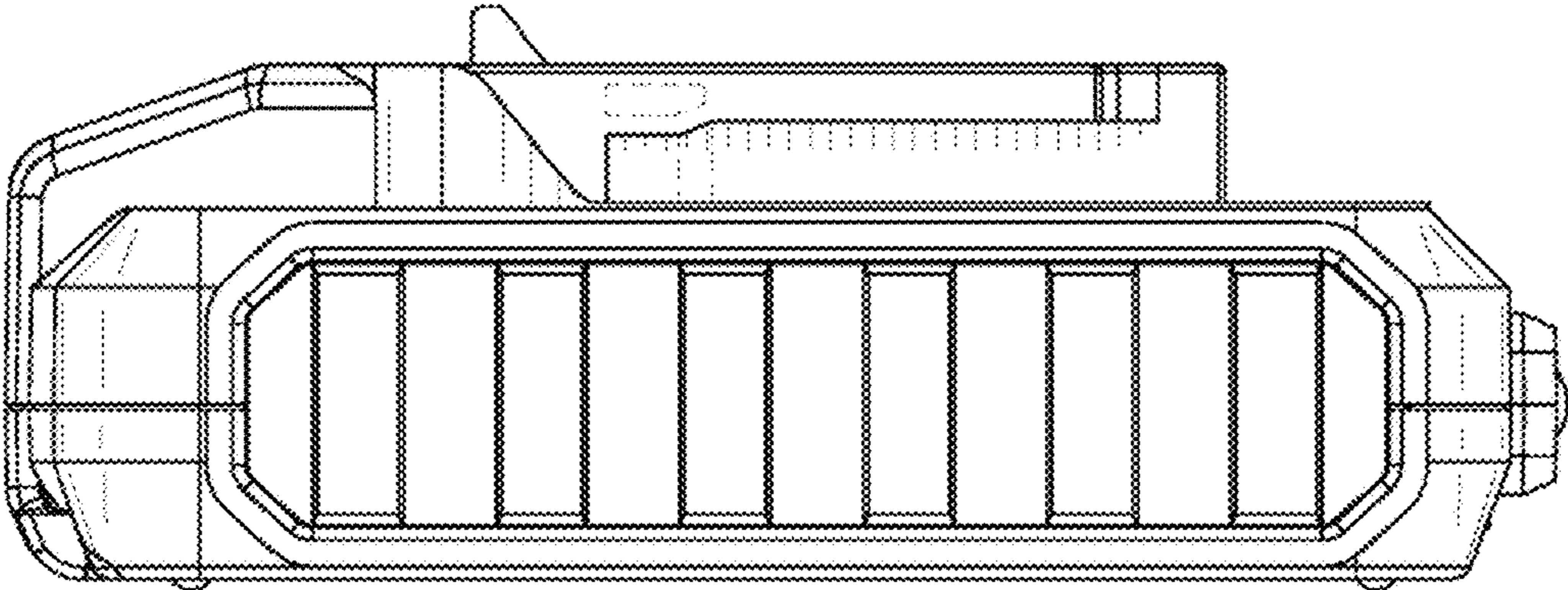




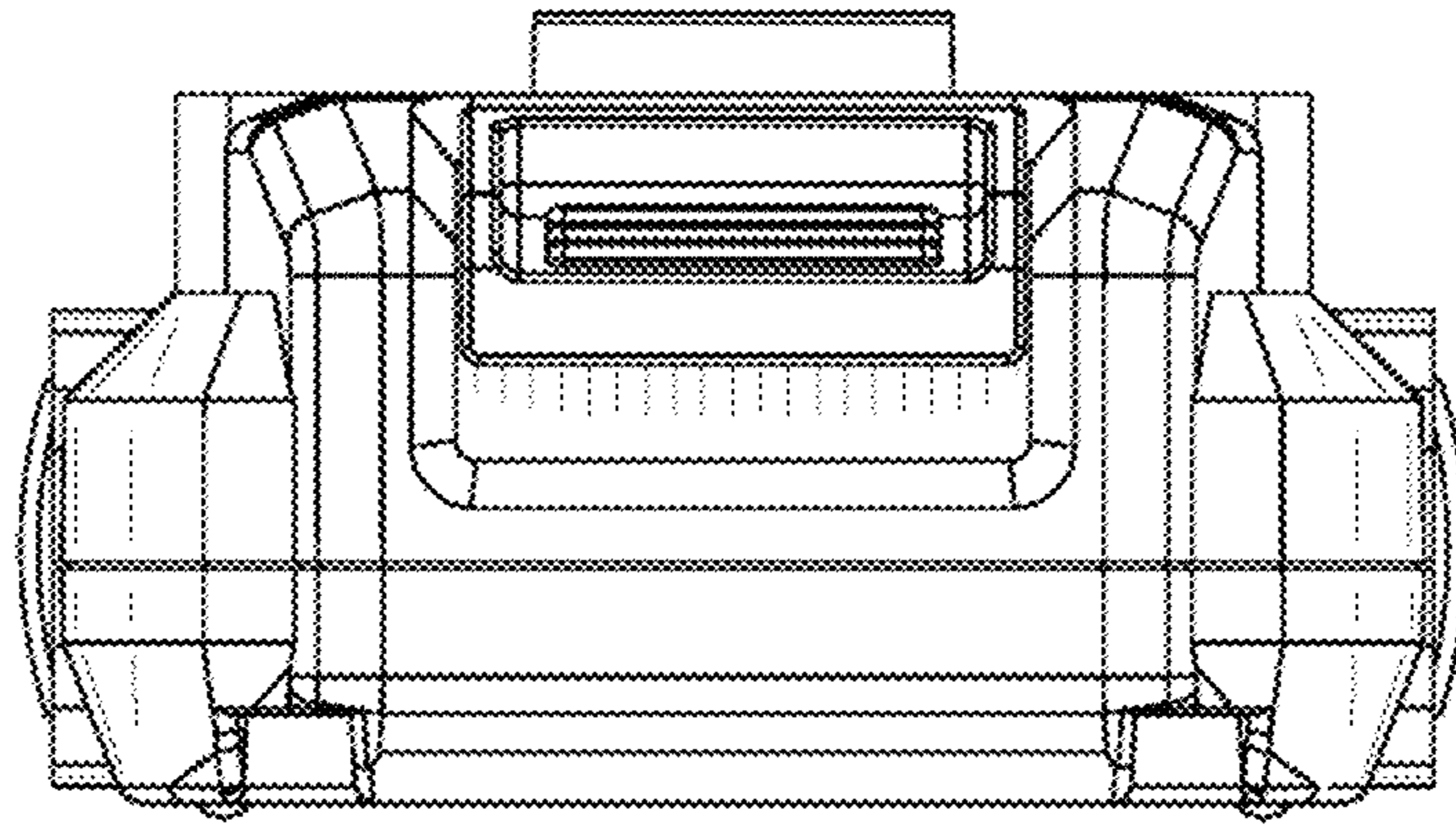
**Fig. 1**



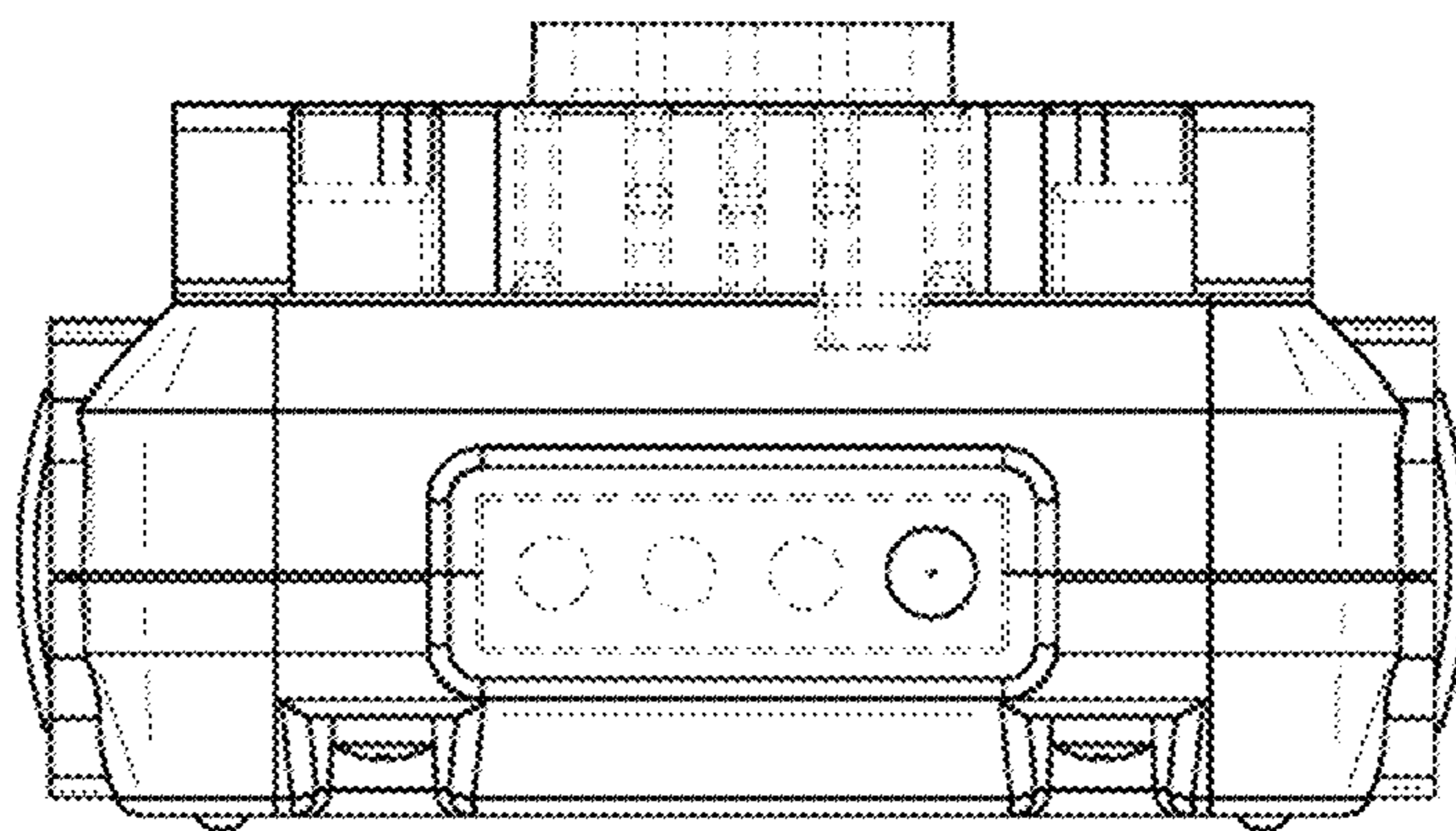
**Fig. 2**



**Fig. 3**

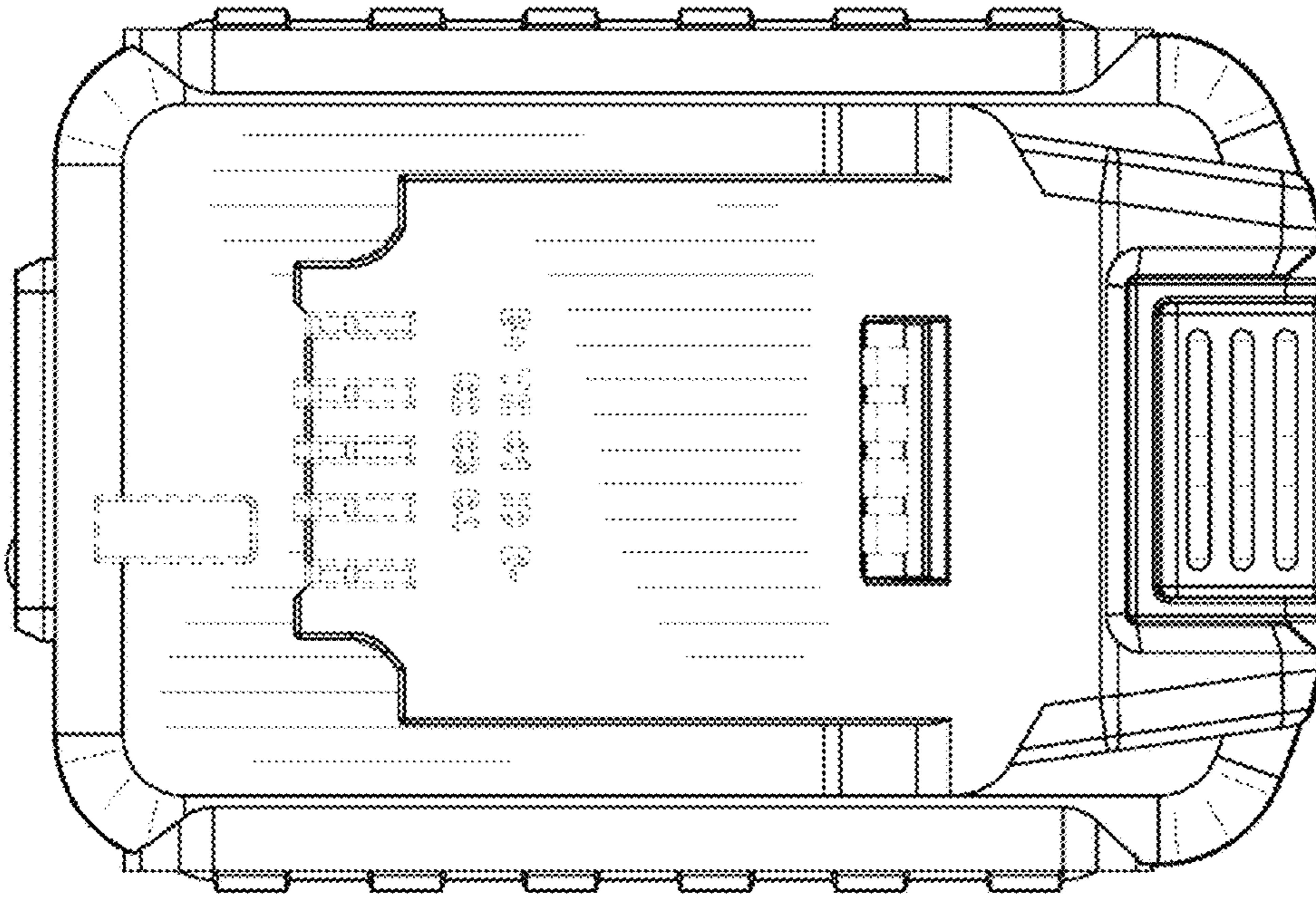


**Fig. 4**

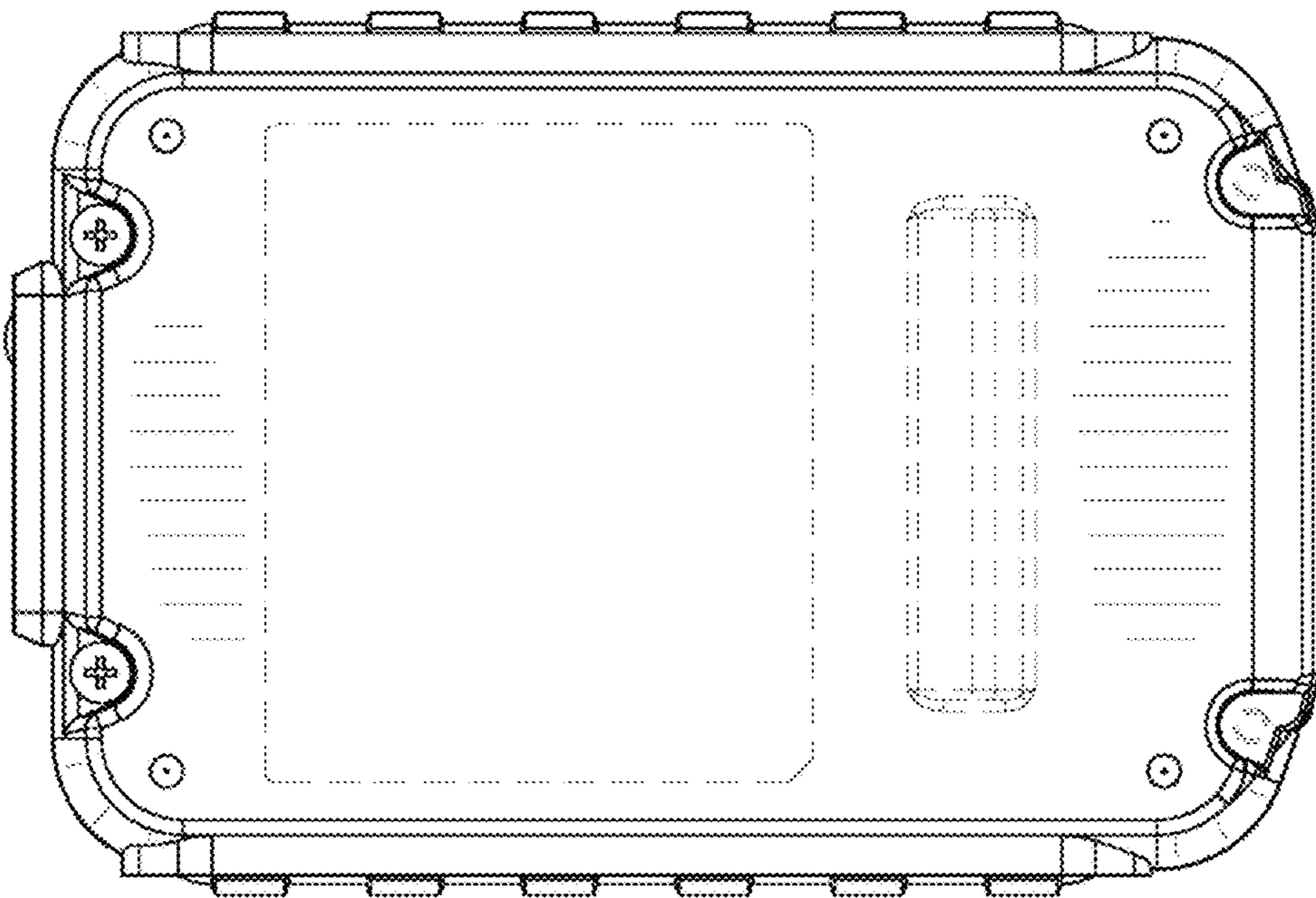


**Fig. 5**





**Fig. 6**



**Fig. 7**