



US00D818947S

(12) **United States Design Patent** (10) **Patent No.:** **US D818,947 S**
Laurino et al. (45) **Date of Patent:** **** May 29, 2018**

(54) **DETACHABLE POWER SUPPLY FOR DATA
LOGGER**

D439,879 S 4/2001 Rotundo
D478,041 S 8/2003 Yang
D490,370 S 5/2004 Picardo

(Continued)

(71) Applicant: **Fluke Corporation**, Everett, WA (US)

(72) Inventors: **Ferdinand Y. Laurino**, Seattle, WA
(US); **Matthew Bannister**, Lake
Stevens, WA (US)

FOREIGN PATENT DOCUMENTS

DE WOD042733-001 8/1998
EM 001941386-0004 11/2011
EM 001980780-0003 1/2012

(73) Assignee: **Fluke Corporation**, Everett, WA (US)

(**) Term: **15 Years**

(21) Appl. No.: **29/593,850**

(22) Filed: **Feb. 13, 2017**

OTHER PUBLICATIONS

“Two Way Radio Battery Walkie Talkie Battery Rechargeable
Battery Battery Pack BM4000 for Motorola GP68/GP63,” <<http://sell.pakuya.com/product-info/205938/Two-way-radio-battery-walkie-talkie-battery-rechargeable-battery-battery-pack-BM4000-for-Motorola-GP68/GP63>> [retrieved Feb. 3, 2014], 1 page.

(Continued)

Related U.S. Application Data

(62) Division of application No. 29/523,201, filed on Apr.
7, 2015, now Pat. No. Des. 782,972, which is a
division of application No. 29/441,514, filed on Jan.
7, 2013, now Pat. No. Des. 726,647.

Primary Examiner — Deanna L Pratt

(74) *Attorney, Agent, or Firm* — Seed IP Law Group LLP

(51) **LOC (11) Cl.** **13-02**

(52) **U.S. Cl.**
USPC **D13/103**

(57) **CLAIM**

The ornamental design for a detachable power supply for
data logger, as shown and described.

(58) **Field of Classification Search**
USPC D10/65, 78, 104, 104.1, 105.1, 106.1;
D13/73, 103, 108, 110, 139.1–139.7, 147,
D13/158, 171, 184, 199; D14/100, 106,
D14/107, 114, 138 G, 155, 168, 188,
D14/203.3, 217, 240, 242
CPC H01M 2/1055
See application file for complete search history.

DESCRIPTION

FIG. 1 is a top front right perspective view of another
embodiment of a detachable power supply for a data logger
showing our new design.

FIG. 2 is a bottom front left perspective view thereof.

FIG. 3 is a bottom rear perspective view thereof.

FIG. 4 is a rear elevation view thereof.

FIG. 5 is a front elevation view thereof.

FIG. 6 is a top plan view thereof.

FIG. 7 is a bottom plan view thereof.

FIG. 8 is a right side elevation view thereof; and,

FIG. 9 is a left side elevation view thereof.

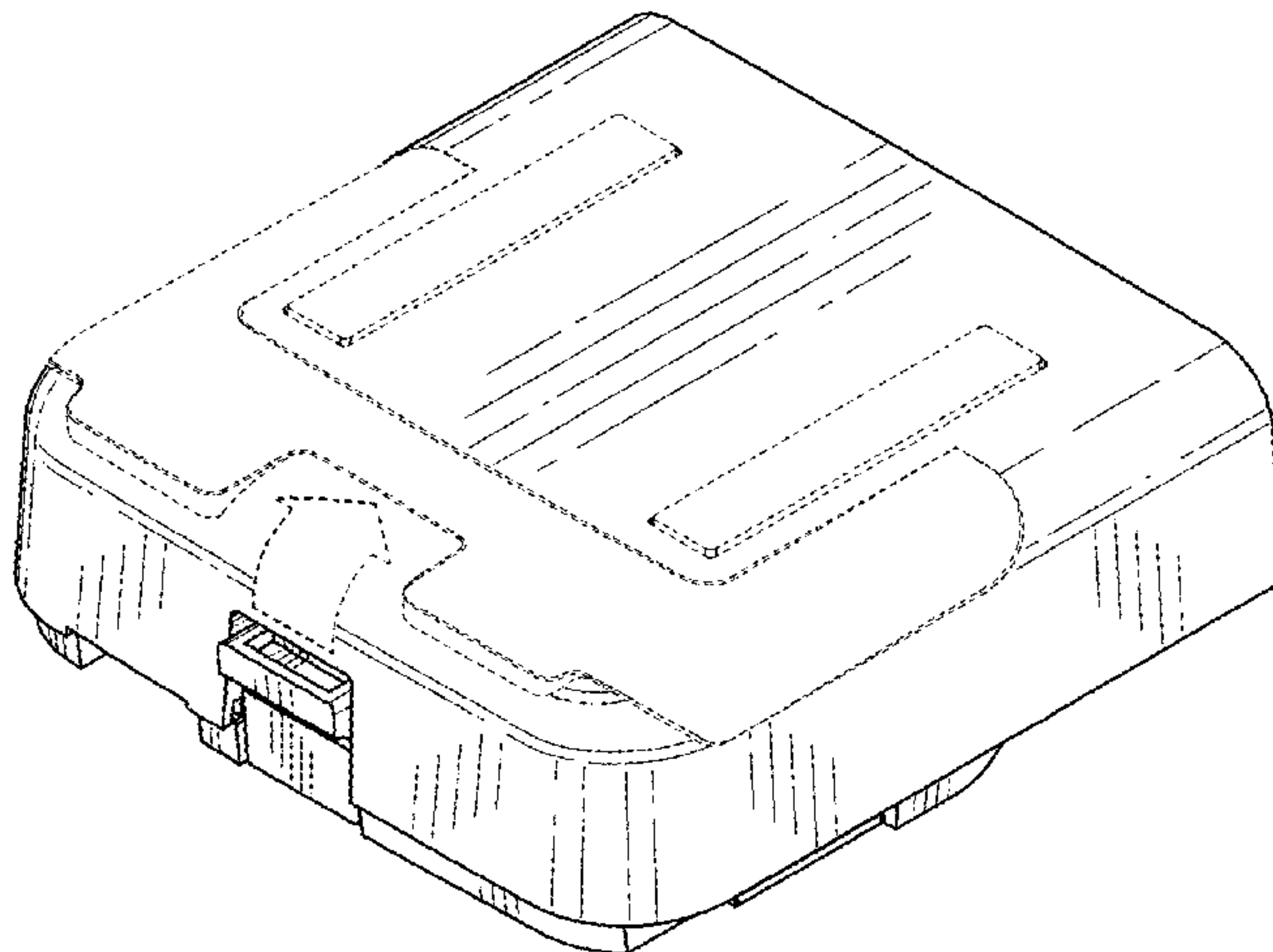
The broken lines in the drawings illustrate portions of the
detachable power supply for a data logger that form no part
of the claimed design.

(56) **References Cited**

U.S. PATENT DOCUMENTS

D303,524 S 9/1989 Siegner et al.
D358,380 S 5/1995 Sakaguchi
D409,562 S * 5/1999 Johansson D13/103
D430,106 S 8/2000 Lee

1 Claim, 6 Drawing Sheets



(56)

References Cited

U.S. PATENT DOCUMENTS

6,738,454 B2 * 5/2004 Mohammadian H04M 1/24
379/1.01
D495,992 S 9/2004 Lim
D545,268 S 6/2007 Shiu
D550,152 S 9/2007 Okuda et al.
D597,933 S 8/2009 Aglassinger
D597,935 S 8/2009 Aglassinger
D641,360 S 7/2011 Ledbetter et al.
D656,093 S 3/2012 Nomi et al.
D667,005 S 9/2012 Lutz
D764,328 S * 8/2016 Lafrance D10/75
D768,586 S * 10/2016 Christianson D10/106.1
D776,610 S * 1/2017 Nommensen D13/103
D776,611 S * 1/2017 Thompson D13/103
D776,614 S * 1/2017 Sohnholz D13/110
D782,418 S * 3/2017 Visel D13/133
D782,972 S * 4/2017 Laurino D13/103

OTHER PUBLICATIONS

“Wholesale Battery Pack—But 5* AA Radio Battery Shell for Motorola GP68 GP63 New J0258A,” <<http://www.dhgate.com/product/5-aa-radio-battery-pack-shell-for-motorola/152114767.html>> [retrieved Feb. 3, 2014], 1 page.

* cited by examiner

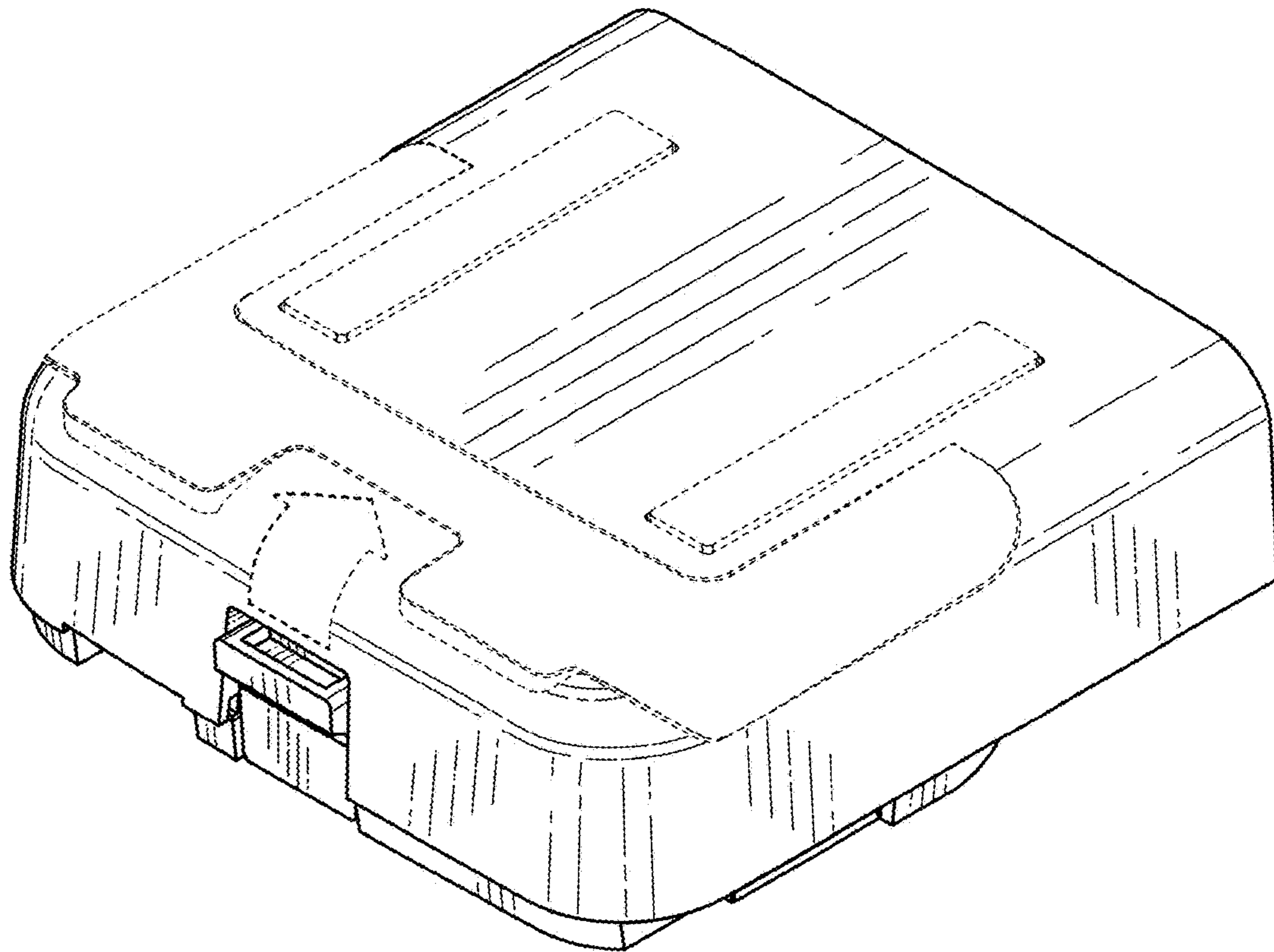


FIG. 1

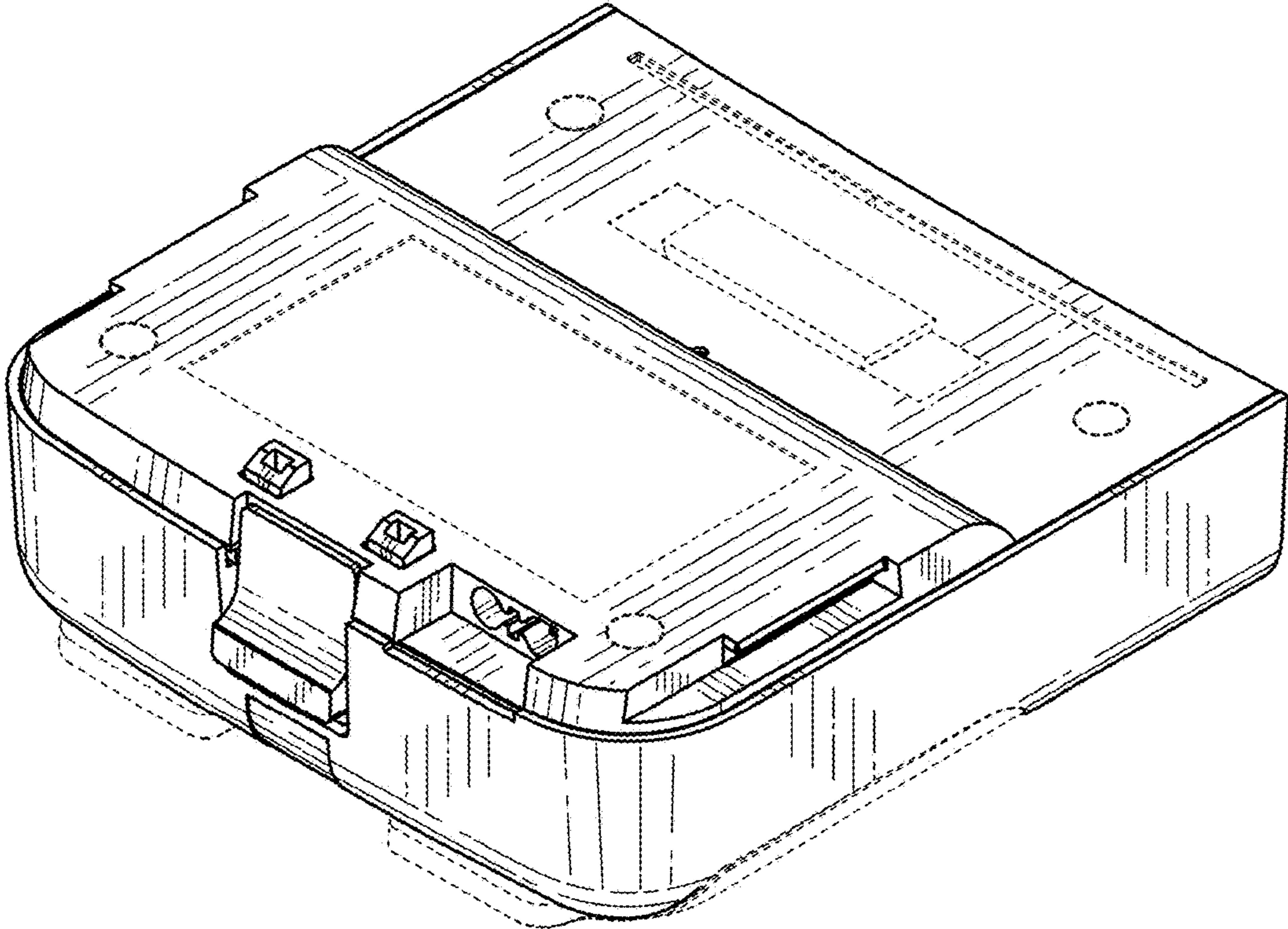


FIG. 2

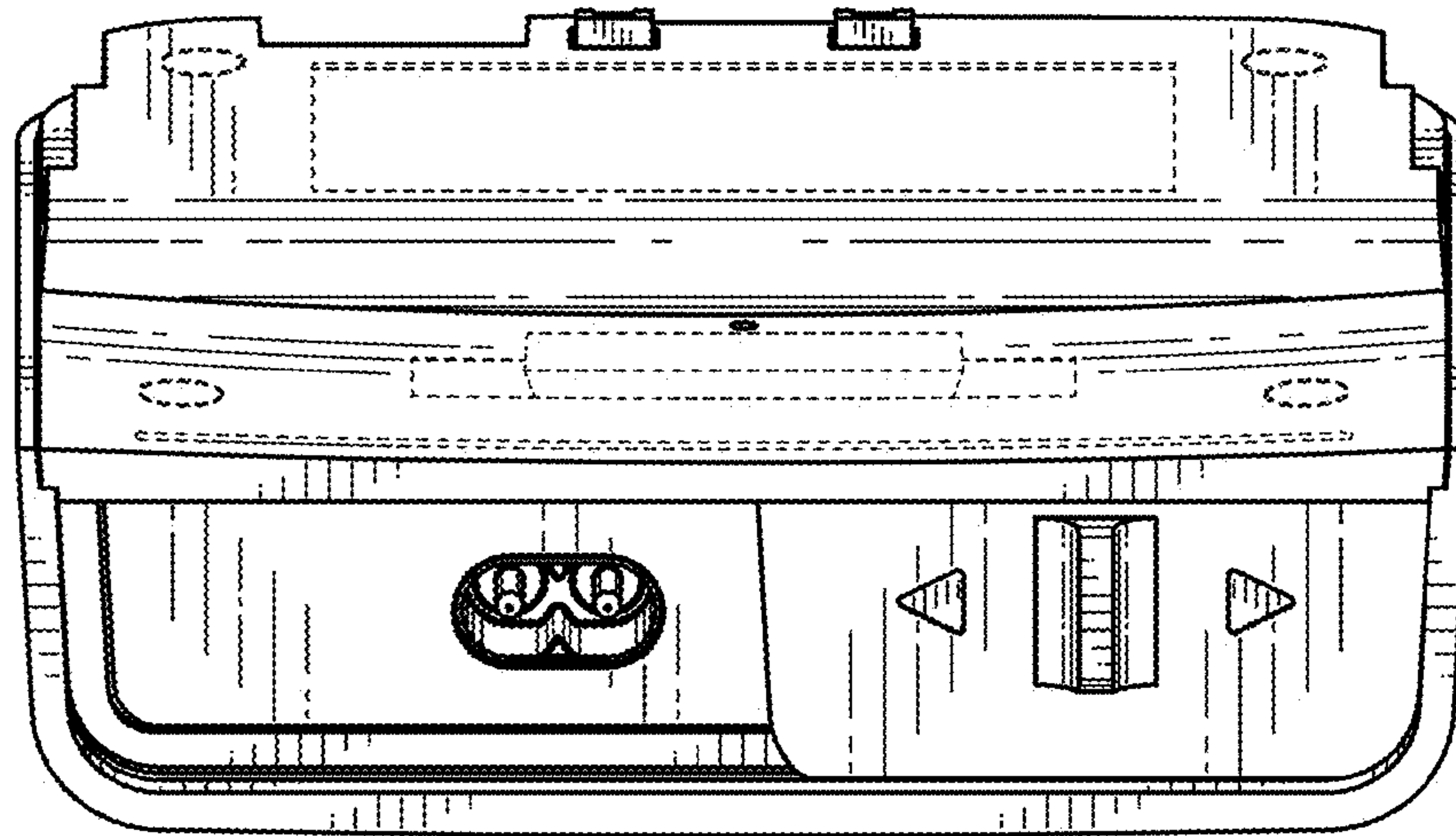


FIG. 3

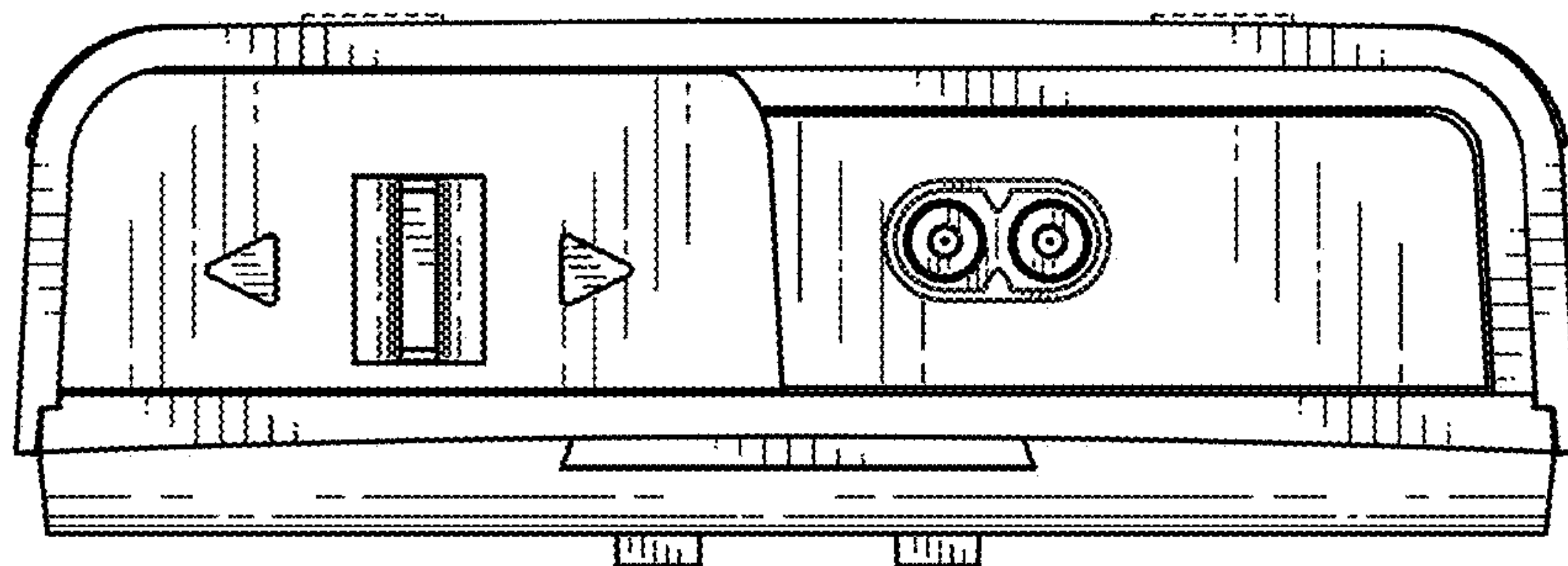


FIG. 4

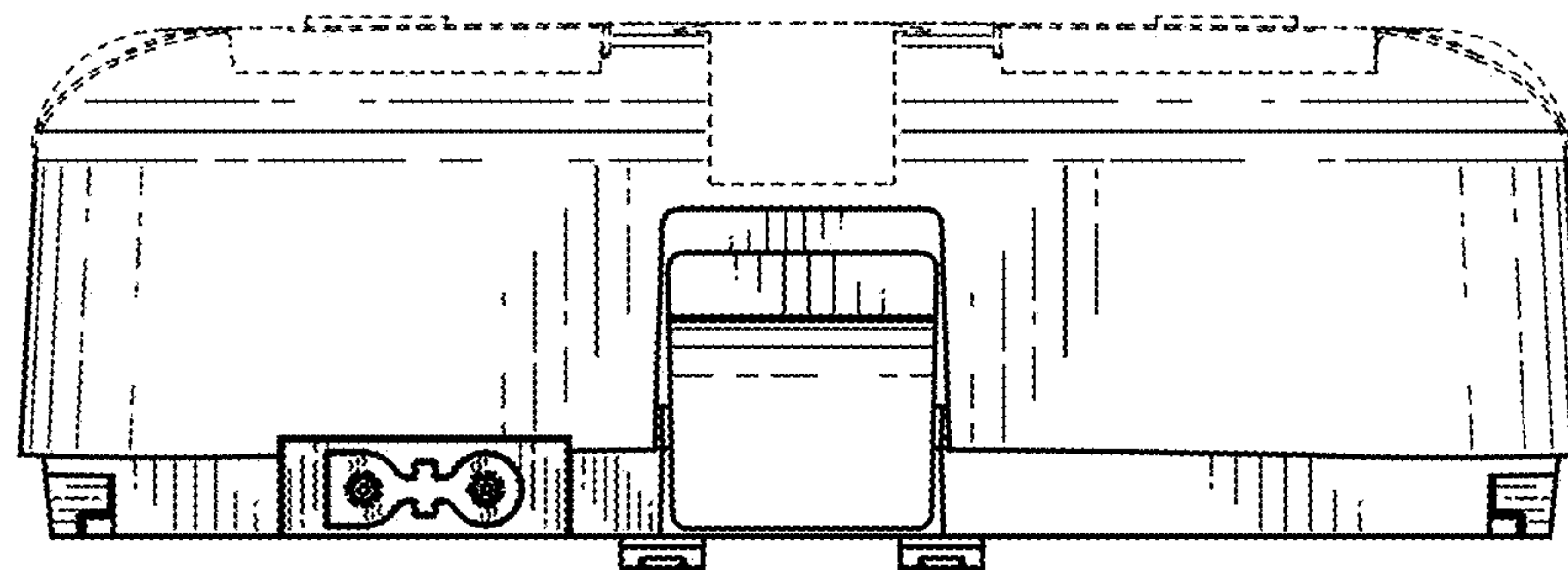


FIG. 5

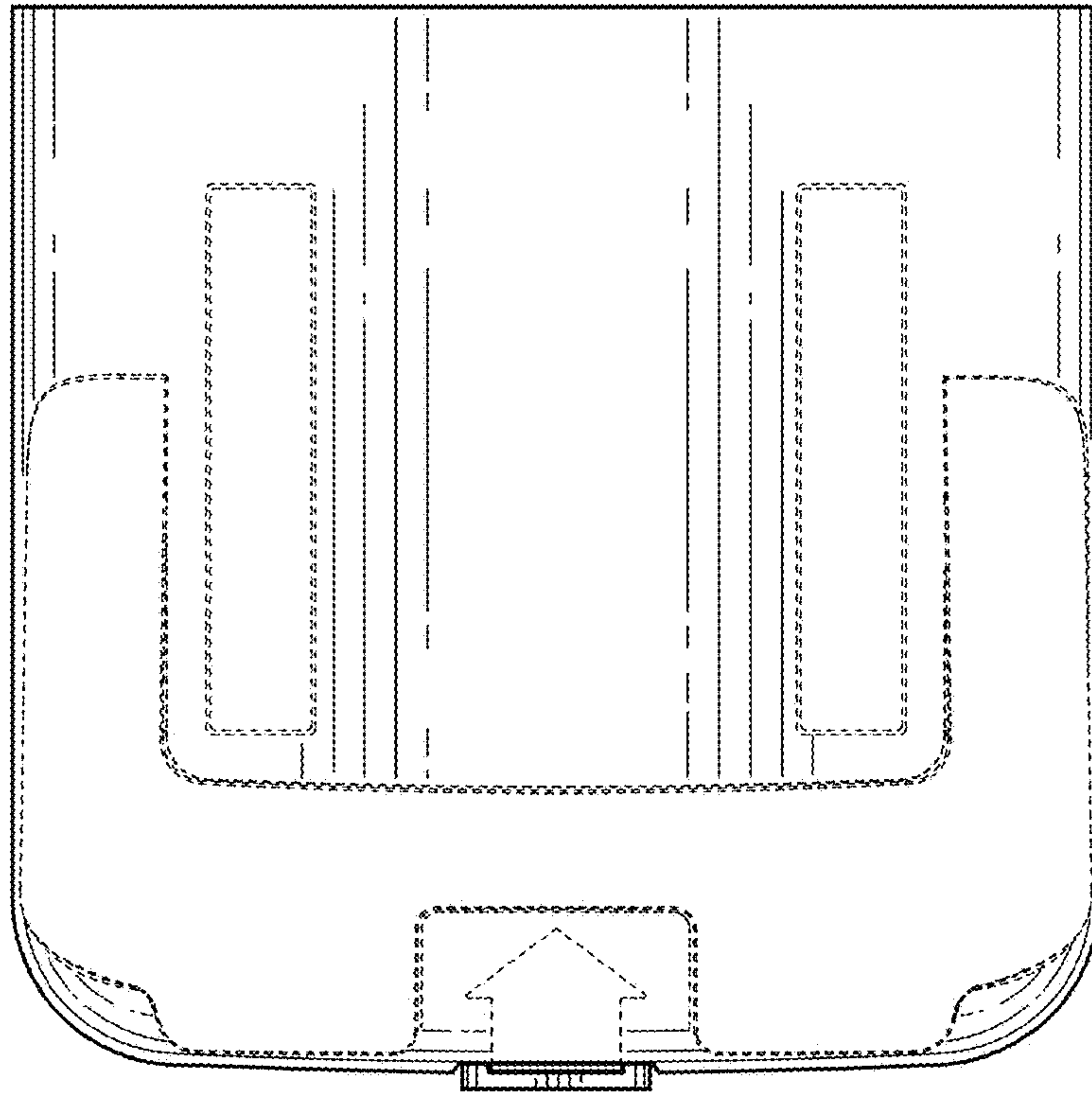


FIG. 6

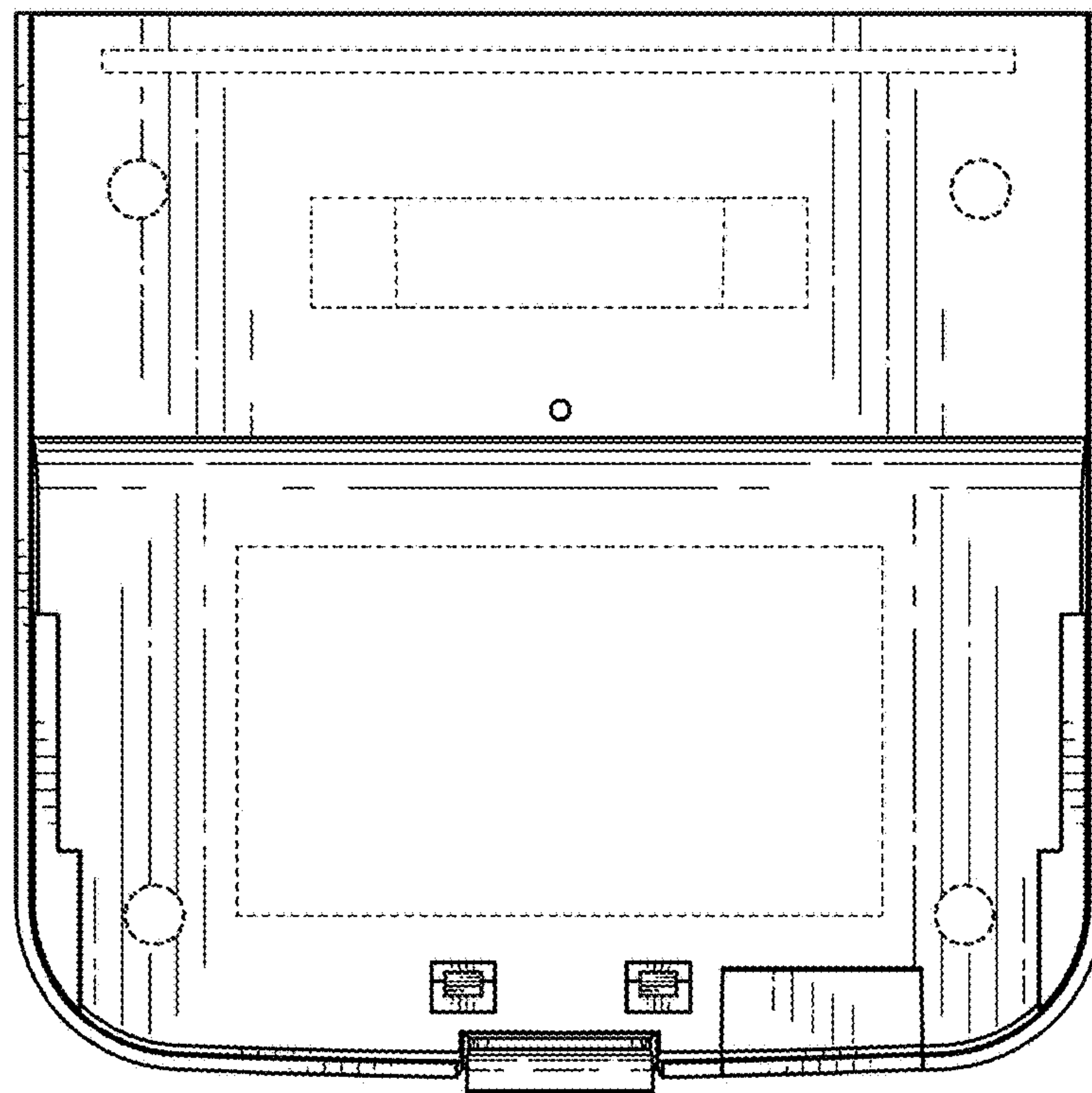


FIG. 7

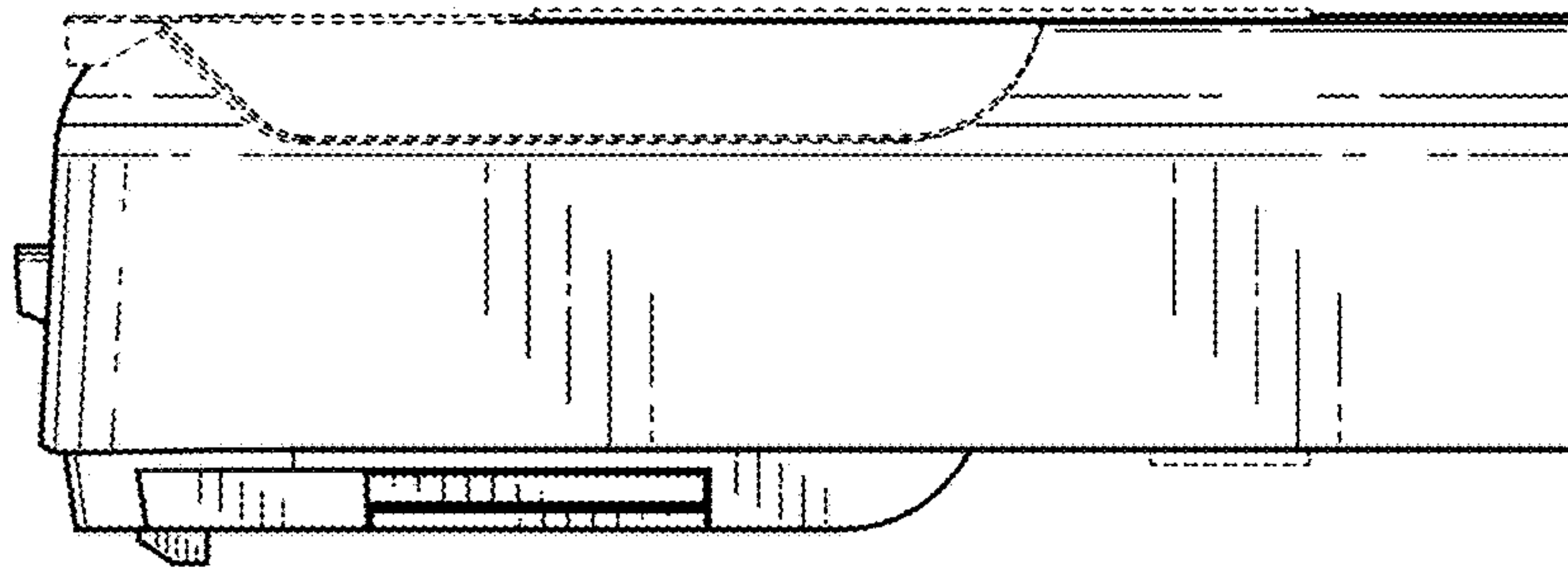


FIG. 8

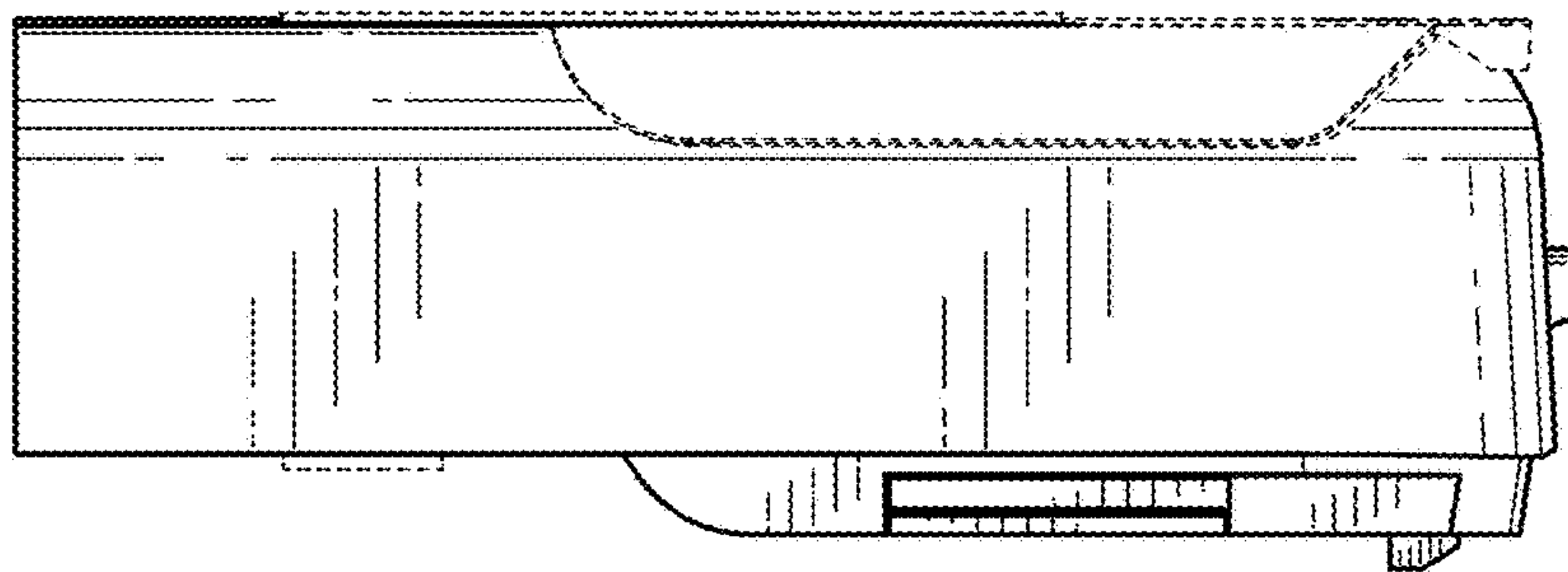


FIG. 9