



US00D818945S

(12) **United States Design Patent** (10) **Patent No.:** **US D818,945 S**
Derkacs et al. (45) **Date of Patent:** **** May 29, 2018**

(54) **SOLAR CELL**

(56) **References Cited**

(71) Applicant: **SolAero Technologies Corp.**,
Albuquerque, NM (US)
(72) Inventors: **Daniel Derkacs**, Albuquerque, NM
(US); **Daniel Aiken**, Cedar Crest, NM
(US)
(73) Assignee: **SolAero Technologies Corp.**,
Albuquerque, NM (US)
(**) Term: **15 Years**
(21) Appl. No.: **29/610,978**
(22) Filed: **Jul. 18, 2017**

U.S. PATENT DOCUMENTS

D275,876 S *	10/1984	Everett	D13/102
D442,139 S *	5/2001	Sasaoka	D13/102
D558,139 S *	12/2007	Sharma	D13/102
D590,768 S *	4/2009	Feng	D13/102
8,222,523 B2 *	7/2012	Antaya	H01R 4/022 136/244
D667,370 S *	9/2012	Arletti	D13/102
8,373,613 B2 *	2/2013	Lin	H01L 31/02243 136/244
8,829,328 B2 *	9/2014	Silverstein	H01L 31/042 136/244

* cited by examiner

Primary Examiner — Derrick Holland

(57) **CLAIM**

The ornamental design for a solar cell, as shown and described.

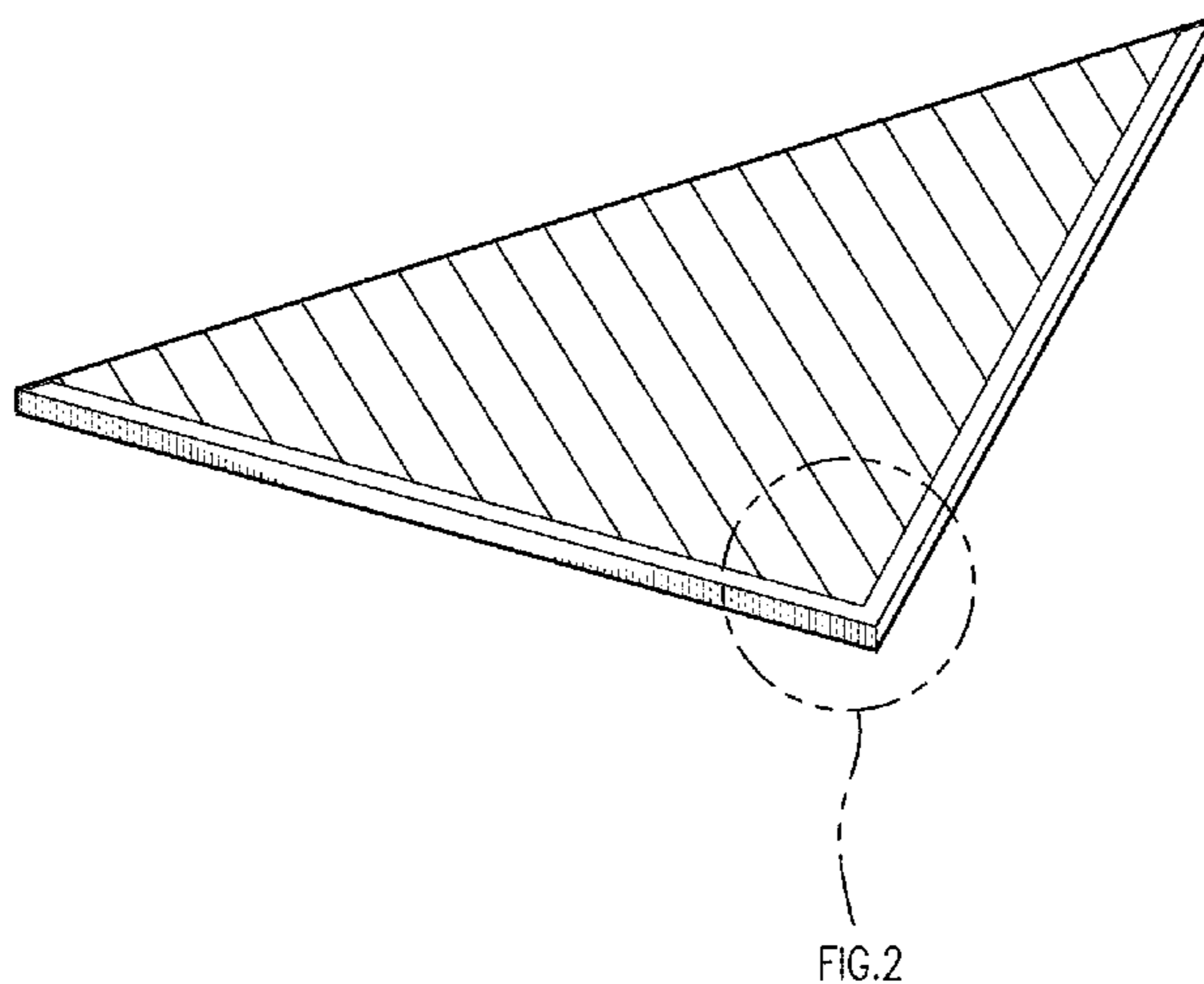
DESCRIPTION

FIG. 1 is a top perspective view that illustrates a solar cell showing our new design;
FIG. 2 is an enlarged fragmental view taken from the designated area in FIG. 1;
FIG. 3 is a top plan view of the solar cell of FIG. 1;
FIG. 4 is a rear side elevation view of the solar cell of FIG. 1;
FIG. 5 is a front side elevation view of the solar cell of FIG. 1;
FIG. 6 is a left side elevation view of the solar cell of FIG. 1;
FIG. 7 is a right side elevation view of the solar cell of FIG. 1; and,
FIG. 8 is a bottom plan view of the solar cell of FIG. 1.
The broken line boundaries shown in FIGS. 1 and 2 represent unclaimed subject matter and form no part of the claimed design.

Related U.S. Application Data

(62) Division of application No. 29/596,553, filed on Mar. 9, 2017, now Pat. No. Des. 795,800.
(51) **LOC (11) Cl.** **13-02**
(52) **U.S. Cl.**
USPC **D13/102**
(58) **Field of Classification Search**
USPC D13/102, 101, 184, 199; 52/173.3; 126/569-578, 580, 609-612, 634, 640, 126/643, 652, 658, 680, 682, 683, 685, 126/689, 699; 136/206, 244-251, 256, 136/291, 292
CPC H01L 31/18; H01L 31/042; H01L 31/048; H01L 31/052; H01L 31/058; H01L 31/0522; H01L 31/0525; H01L 31/061; H01L 31/068; Y02E 10/50; Y10T 29/49208; Y10T 29/49213; F24J 2/04; F24J 2/12; F24J 2/24; F24J 2/38; F24J 2/46; F24J 2/54
See application file for complete search history.

1 Claim, 4 Drawing Sheets



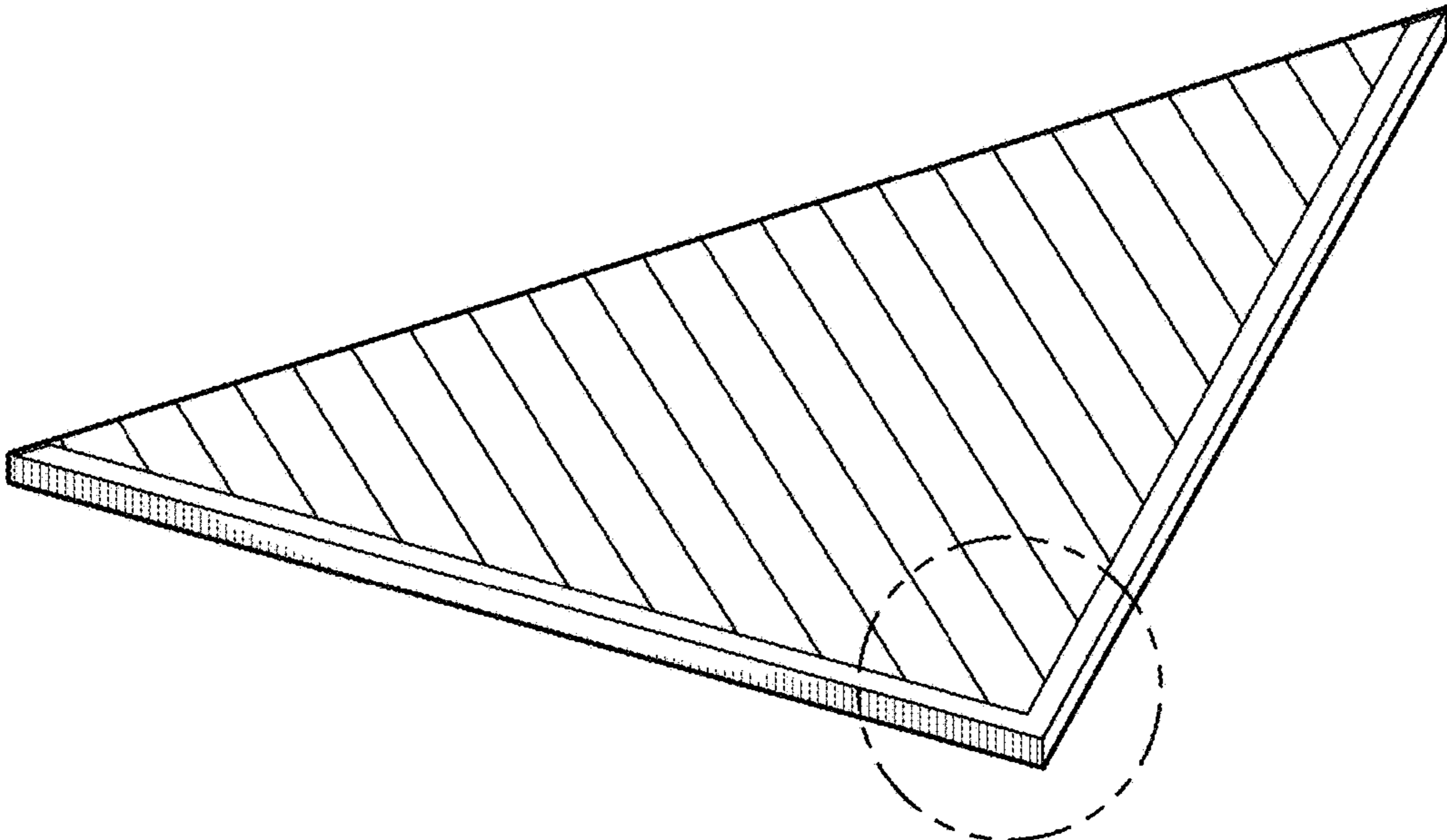


FIG. 1

FIG. 2

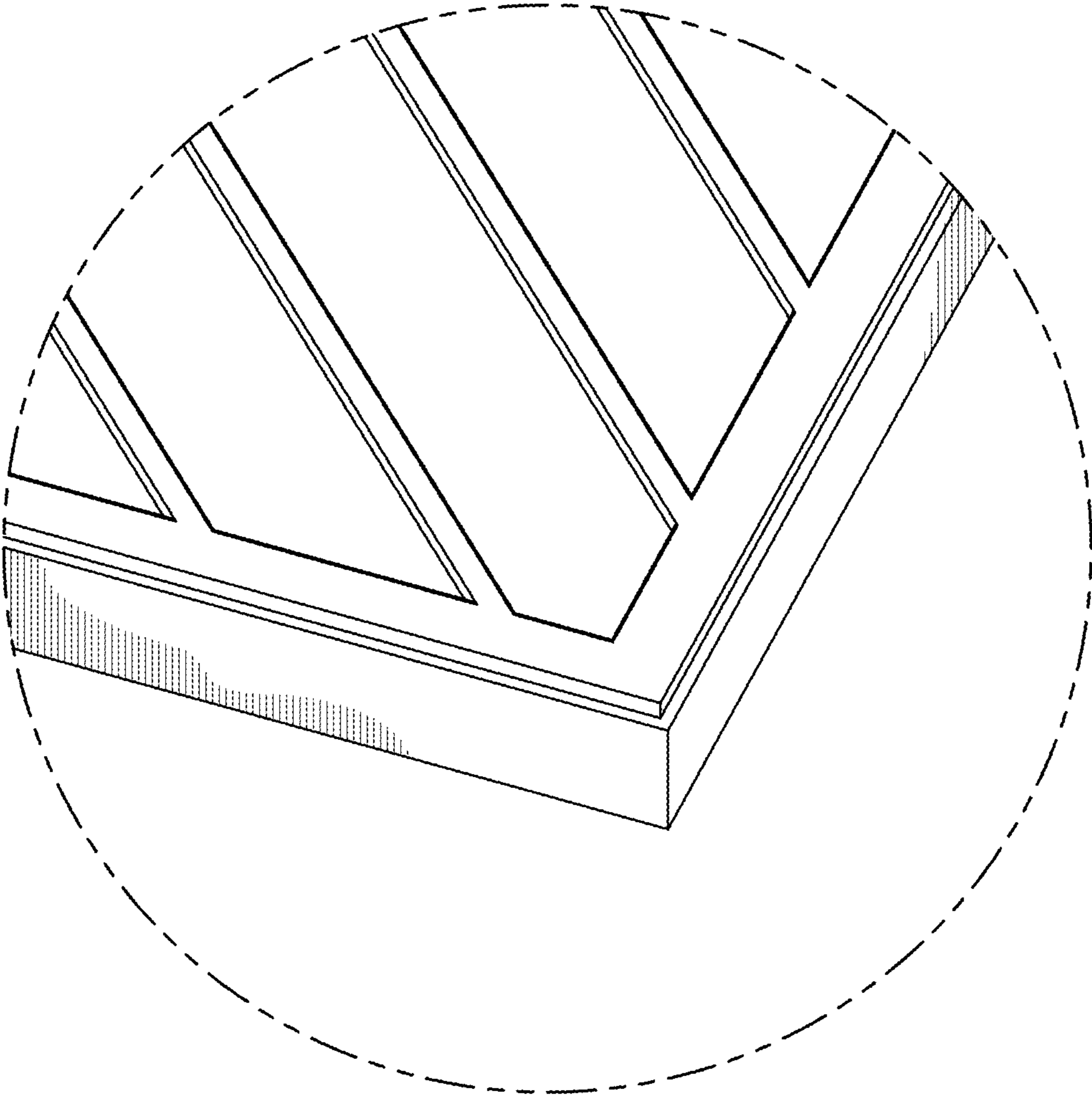


FIG. 2



FIG. 4

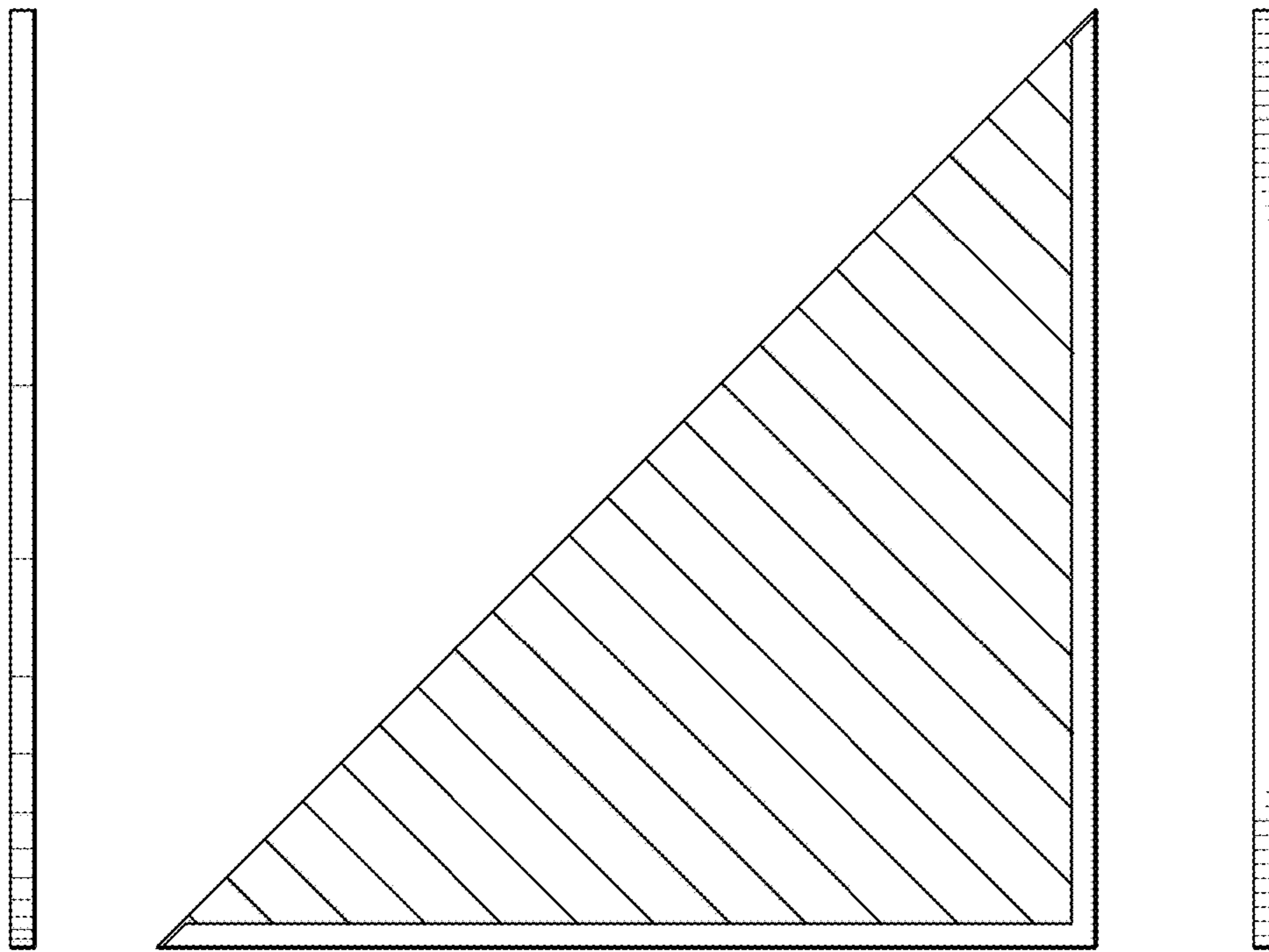


FIG. 6

FIG. 3

FIG. 7

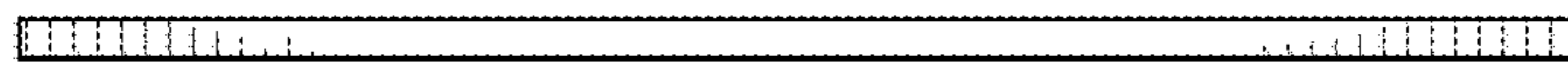


FIG. 5

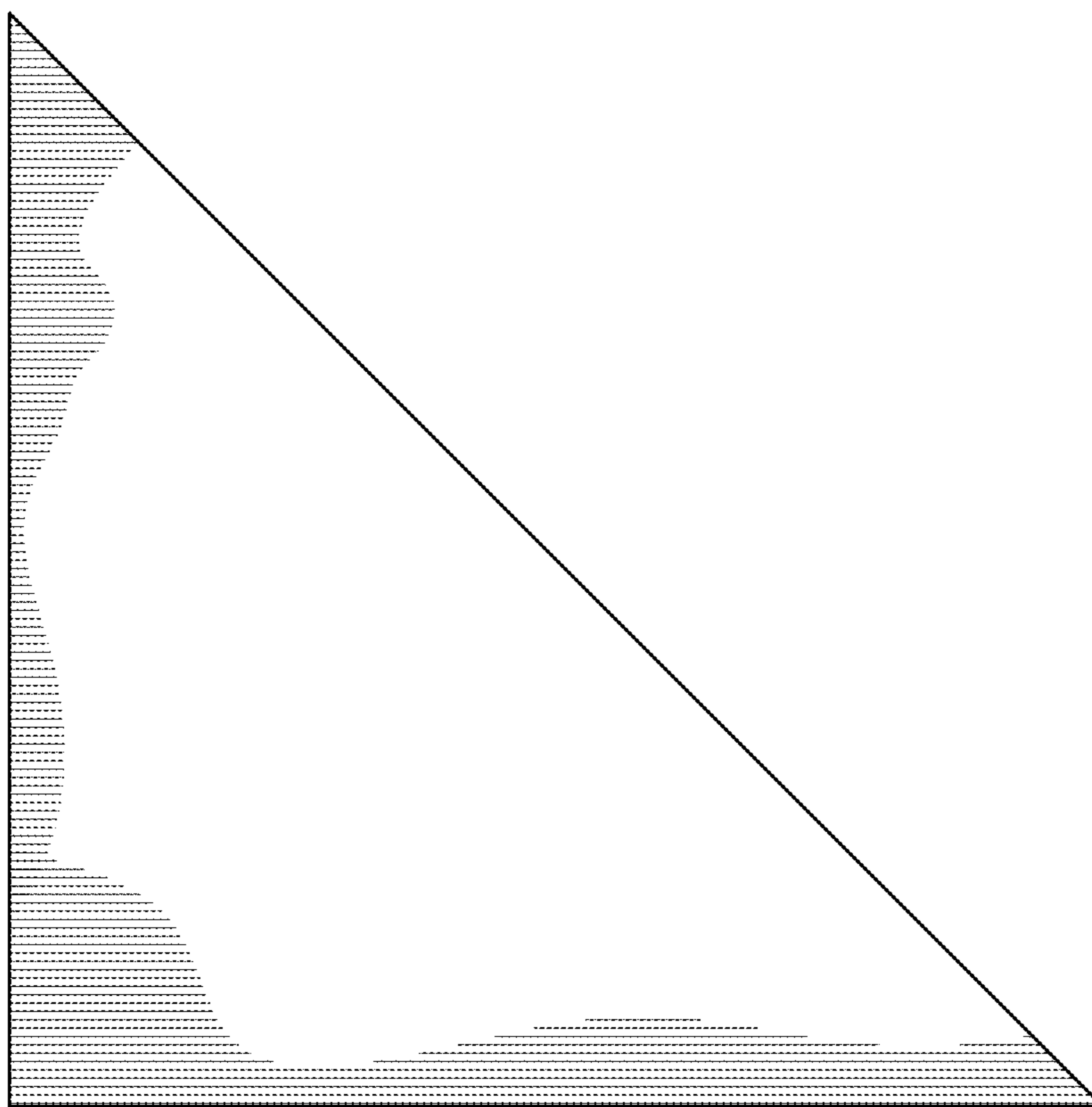


FIG. 8