



US00D818944S

(12) **United States Design Patent**
Gohlke

(10) **Patent No.:** **US D818,944 S**

(45) **Date of Patent:** **** May 29, 2018**

(54) **TIRE SIDEWALL**

(71) Applicant: **Bridgestone Americas Tire Operations, LLC, Nashville, TN (US)**

(72) Inventor: **Pierce G. Gohlke, Dayton, OH (US)**

(73) Assignee: **Bridgestone Americas Tire Operations, LLC, Nashville, TN (US)**

(**) Term: **15 Years**

(21) Appl. No.: **29/555,918**

(22) Filed: **Feb. 25, 2016**

(51) **LOC (11) Cl.** **12-15**

(52) **U.S. Cl.**
USPC **D12/605**

(58) **Field of Classification Search**
USPC D12/500-605, 900; D5/30; D7/396.4, D7/396.5, 588; 152/DIG. 12, 209, 209.8, 152/209.9, 209.12, 209.16, 209.26, 152/209.27, 517, 523, 524, 902, 903; D18/24-33; D1/114; D11/61, 116; 101/398-399; 40/595-596, 551, 584
CPC B60C 13/00; B60C 13/001; B60C 13/02; B60C 1/00; B60C 1/0025; B60C 17/08
See application file for complete search history.

(56) **References Cited**

U.S. PATENT DOCUMENTS

D379,167 S	5/1997	Attinello et al.	
5,645,661 A	7/1997	Clementz et al.	
D386,455 S	11/1997	Clementz et al.	
5,728,242 A	3/1998	Barrese et al.	
D407,356 S	3/1999	Cross	
6,279,633 B1	8/2001	Corvasce	
D450,275 S	11/2001	Moses	
D457,130 S	5/2002	Ratliff, Jr. et al.	
D500,072 S *	12/2004	Matteson	D18/24

D500,473 S	1/2005	Boggs et al.	
D515,622 S *	2/2006	Munch	D18/24
D517,003 S	3/2006	Shondel	
D532,034 S *	11/2006	Matteson	D18/24
D533,830 S	12/2006	Miyazaki	
D543,497 S	5/2007	Maxwell et al.	
D550,277 S *	9/2007	Krause	D18/24
D552,536 S	10/2007	Shondel	
D552,537 S	10/2007	Franks et al.	
D552,669 S *	10/2007	Unger	D18/24
D563,310 S	3/2008	Shondel	
7,409,975 B2	8/2008	Wallet	
D577,330 S	9/2008	Miyasaka	
D598,842 S	8/2009	Rittweger	
D608,273 S	1/2010	Scheifele et al.	
D609,177 S	2/2010	Osaka	
D610,534 S	2/2010	Kuroishi	
D611,403 S	3/2010	Kuwano	
D676,081 S *	2/2013	Boer	D18/24
D678,937 S *	3/2013	De Baerdemaeker	D18/24
D687,485 S *	8/2013	Pagallo	D18/24
D689,541 S *	9/2013	Kim	D18/24

(Continued)

Primary Examiner — Wan Laymon

Assistant Examiner — Clint A Samuel

(74) *Attorney, Agent, or Firm* — Shaun J. Fox

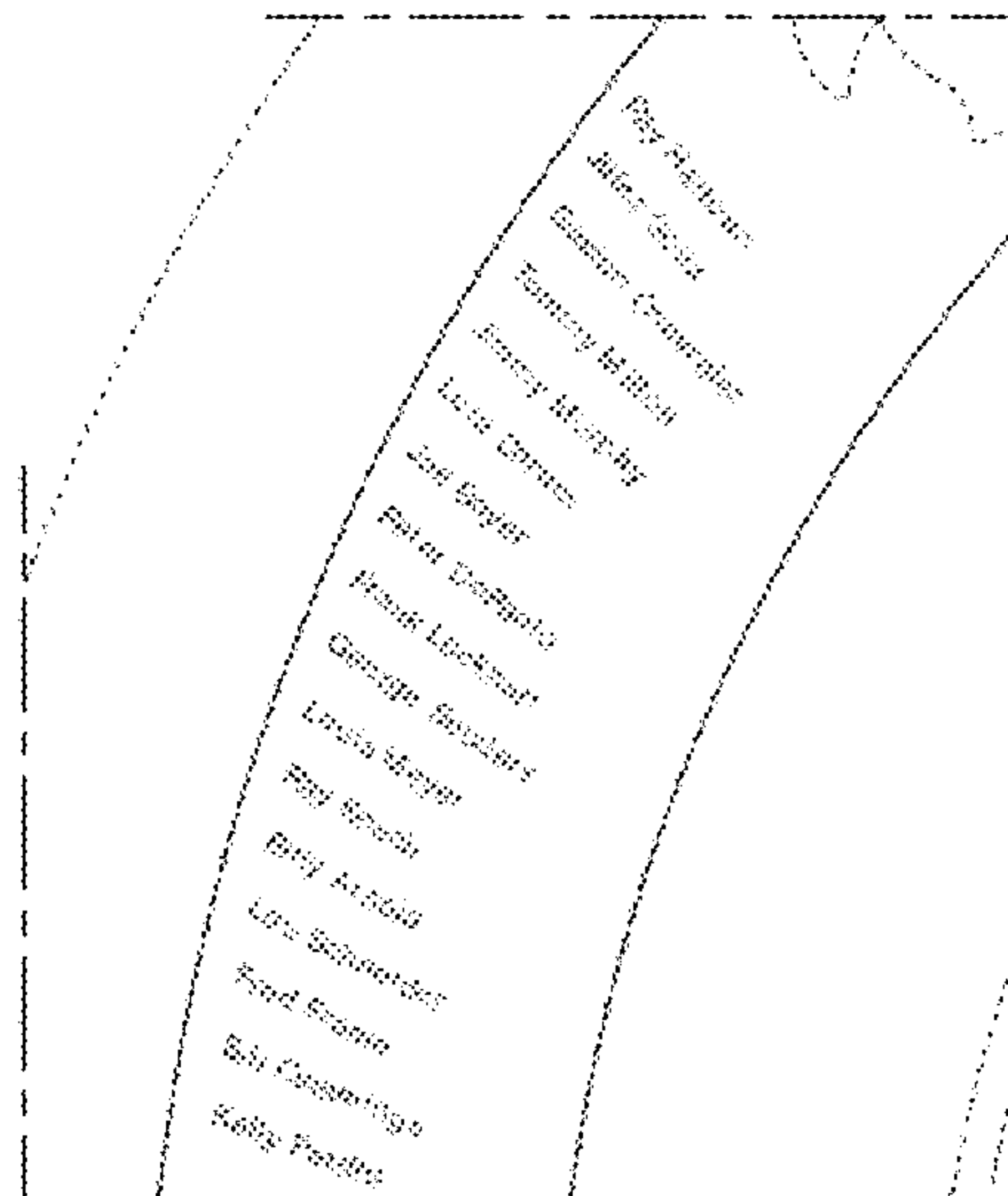
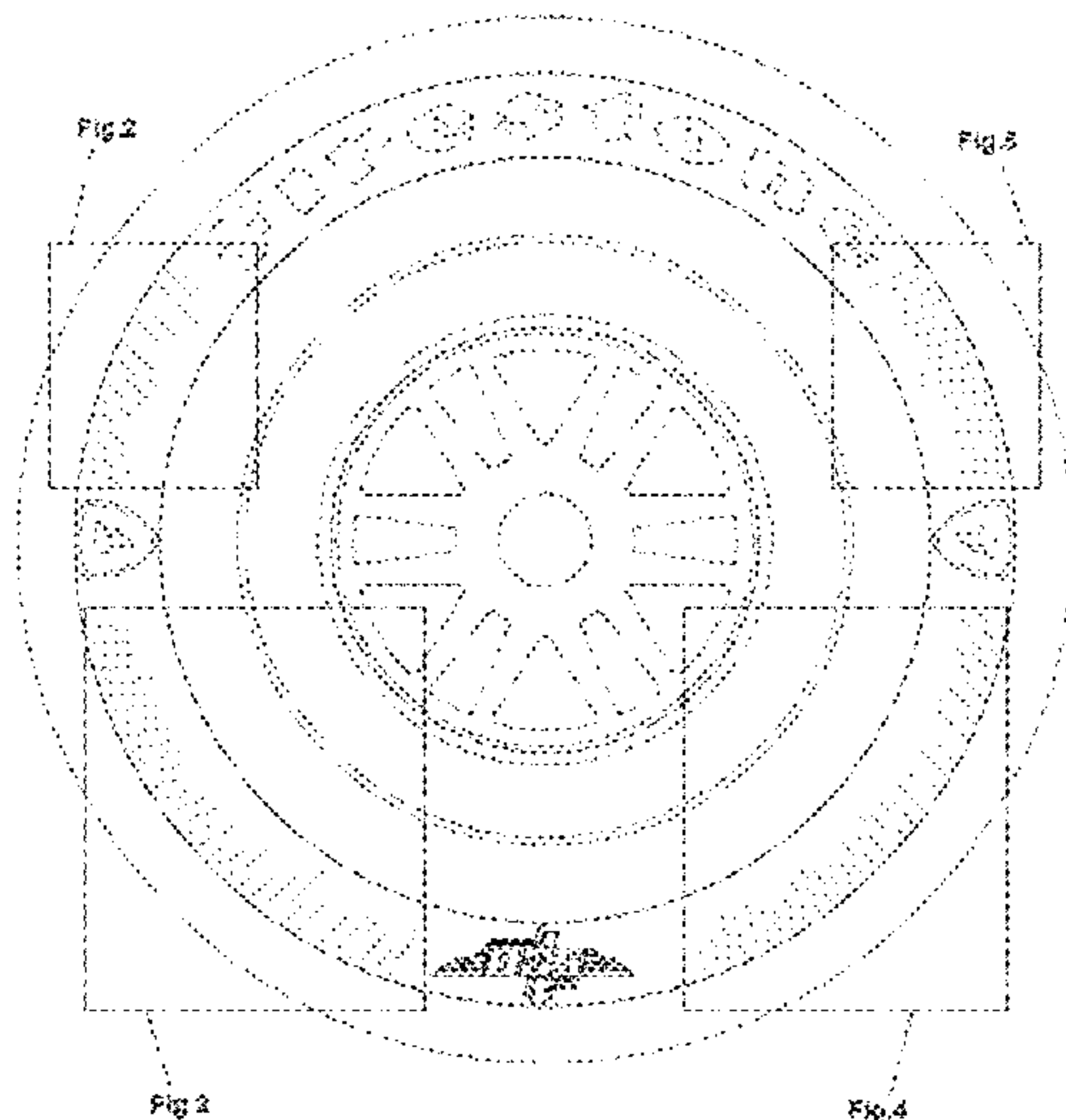
(57) **CLAIM**

The ornamental design for a tire sidewall, as shown and described.

DESCRIPTION

FIG. 1 is a side elevational view of a tire sidewall showing my new design;
FIG. 2 is an enlarged partial view thereof;
FIG. 3 is an enlarged partial view thereof;
FIG. 4 is an enlarged partial view thereof; and,
FIG. 5 is an enlarged partial view thereof.
In the drawings, the broken lines depict environmental subject matter only and form no part of the claimed design.

1 Claim, 5 Drawing Sheets



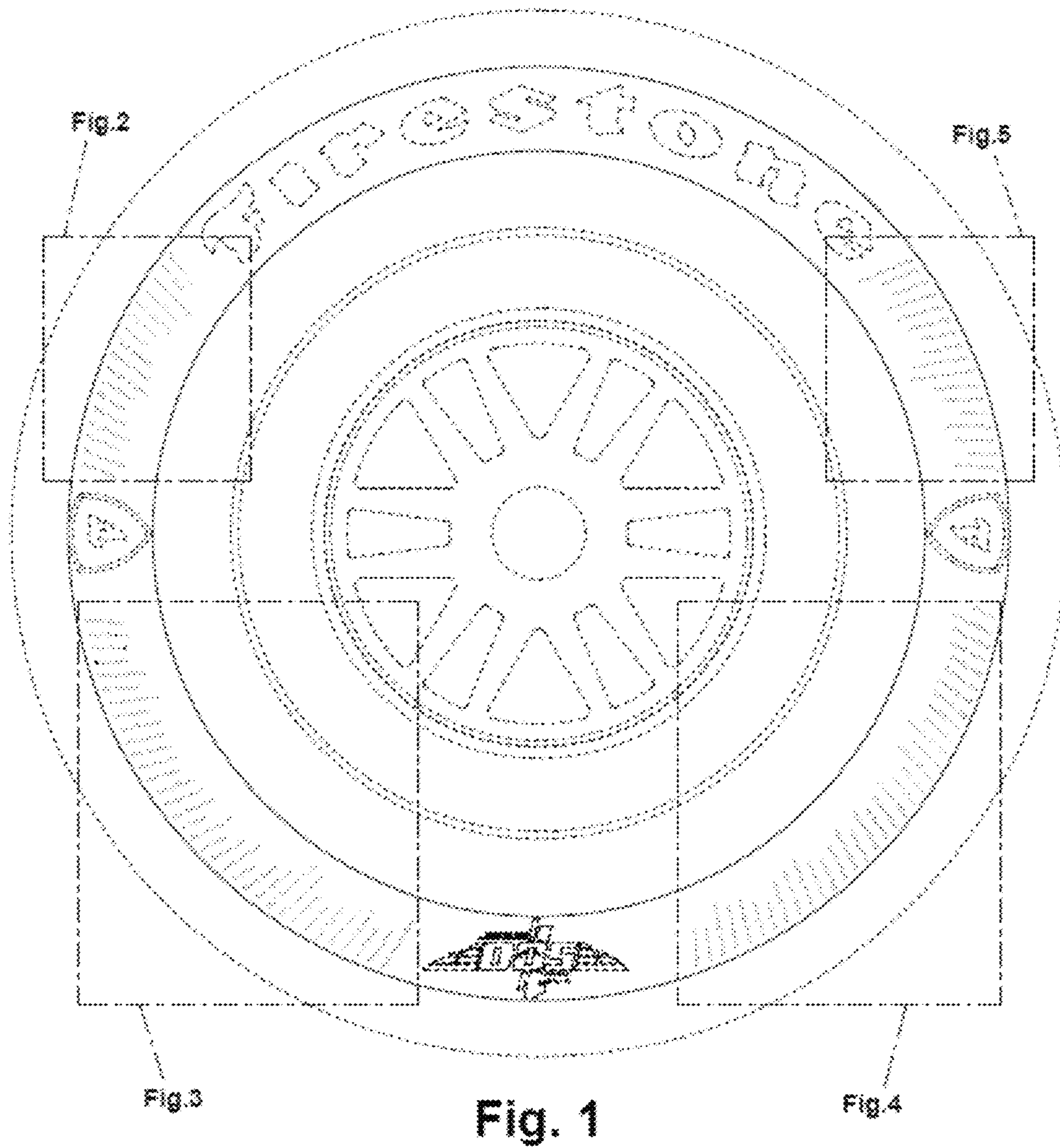
(56)

References Cited

U.S. PATENT DOCUMENTS

D692,476 S *	10/2013	Lee	D18/24
D704,257 S *	5/2014	Seo	D18/24
D709,551 S *	7/2014	Park	D18/24
D730,819 S	6/2015	Scheifele	
D738,428 S *	9/2015	Kim	D18/24
D738,430 S *	9/2015	Mann	D18/24
D740,747 S	10/2015	Sato et al.	

* cited by examiner



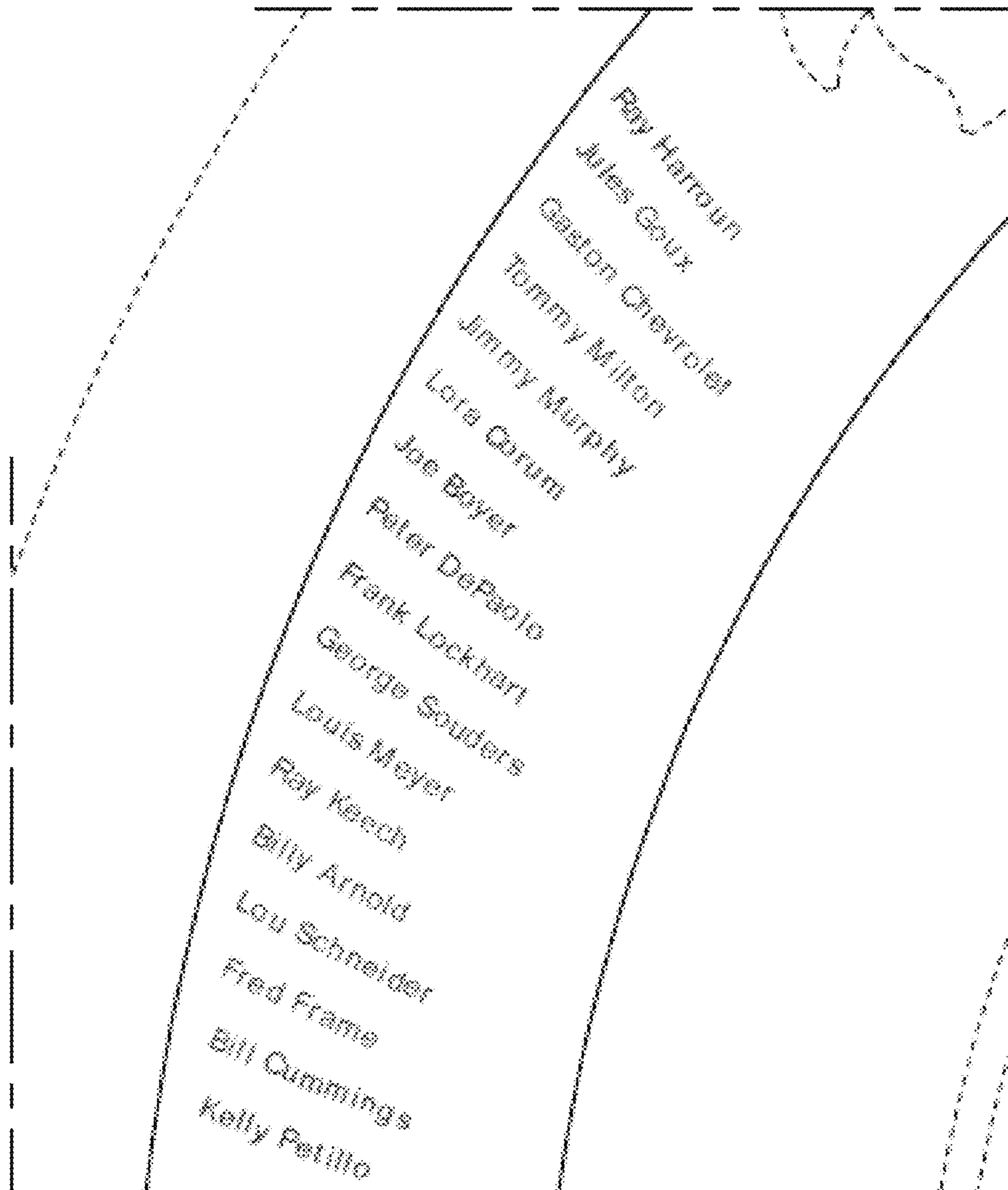


Fig. 2

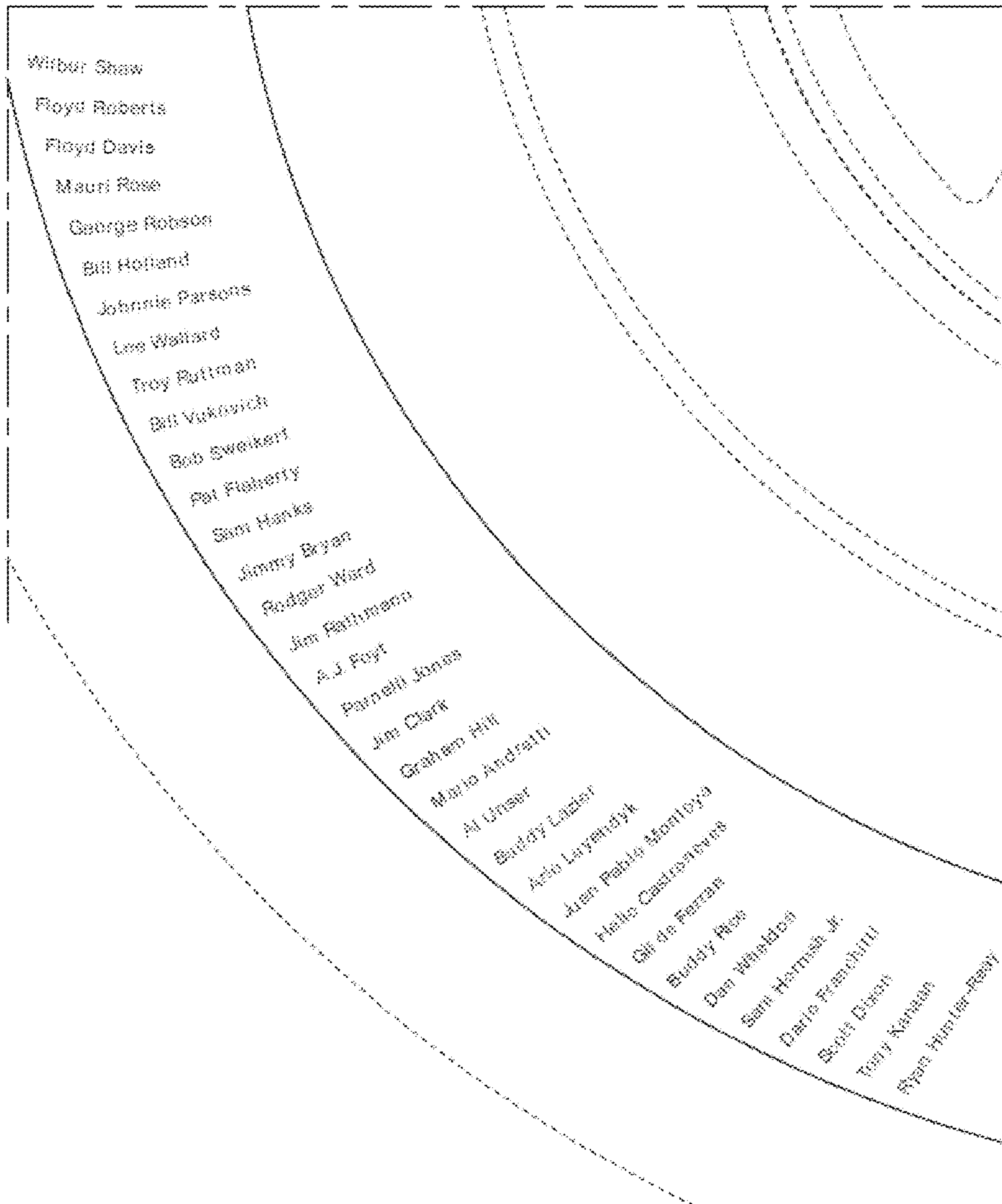


Fig. 3

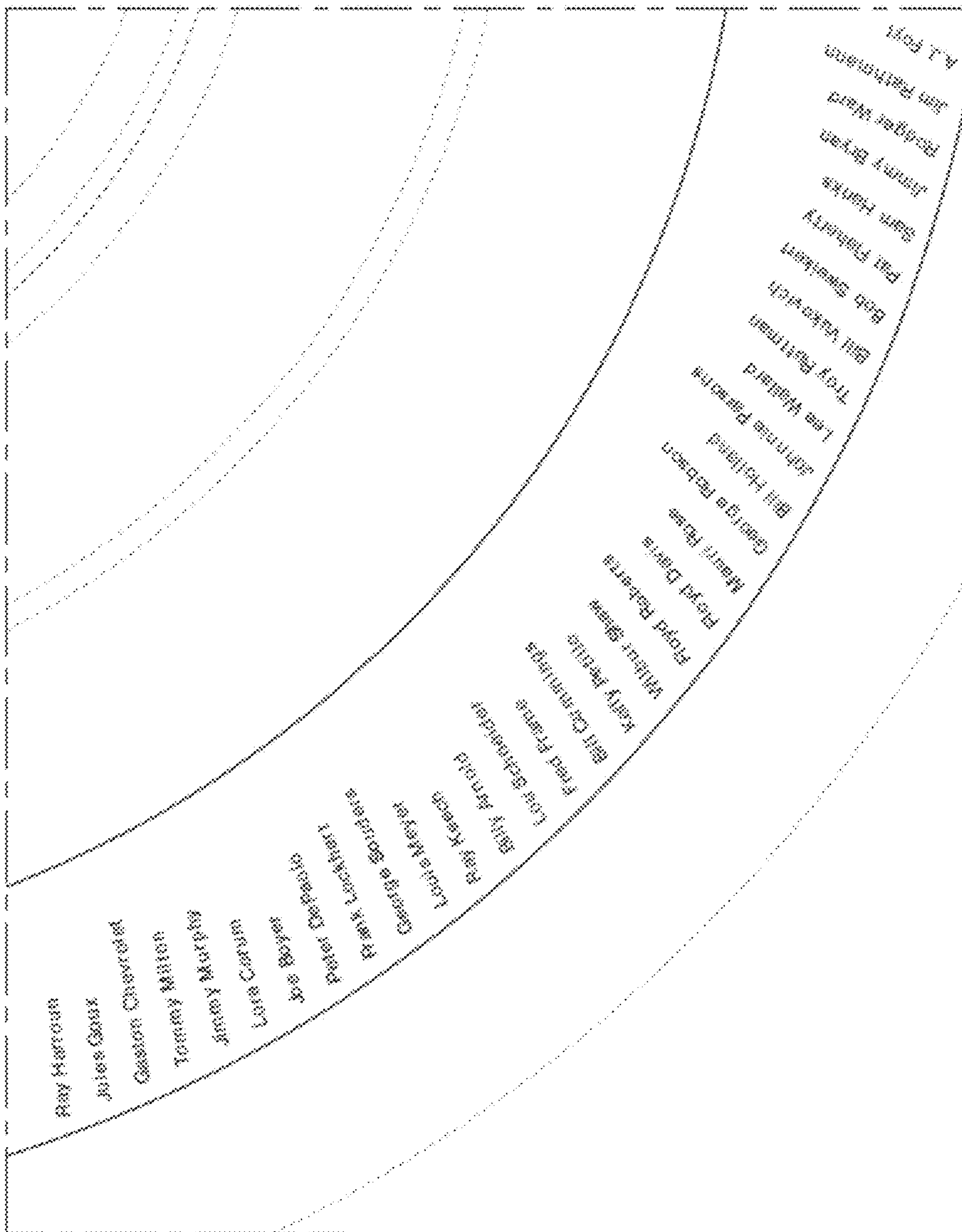


Fig. 4

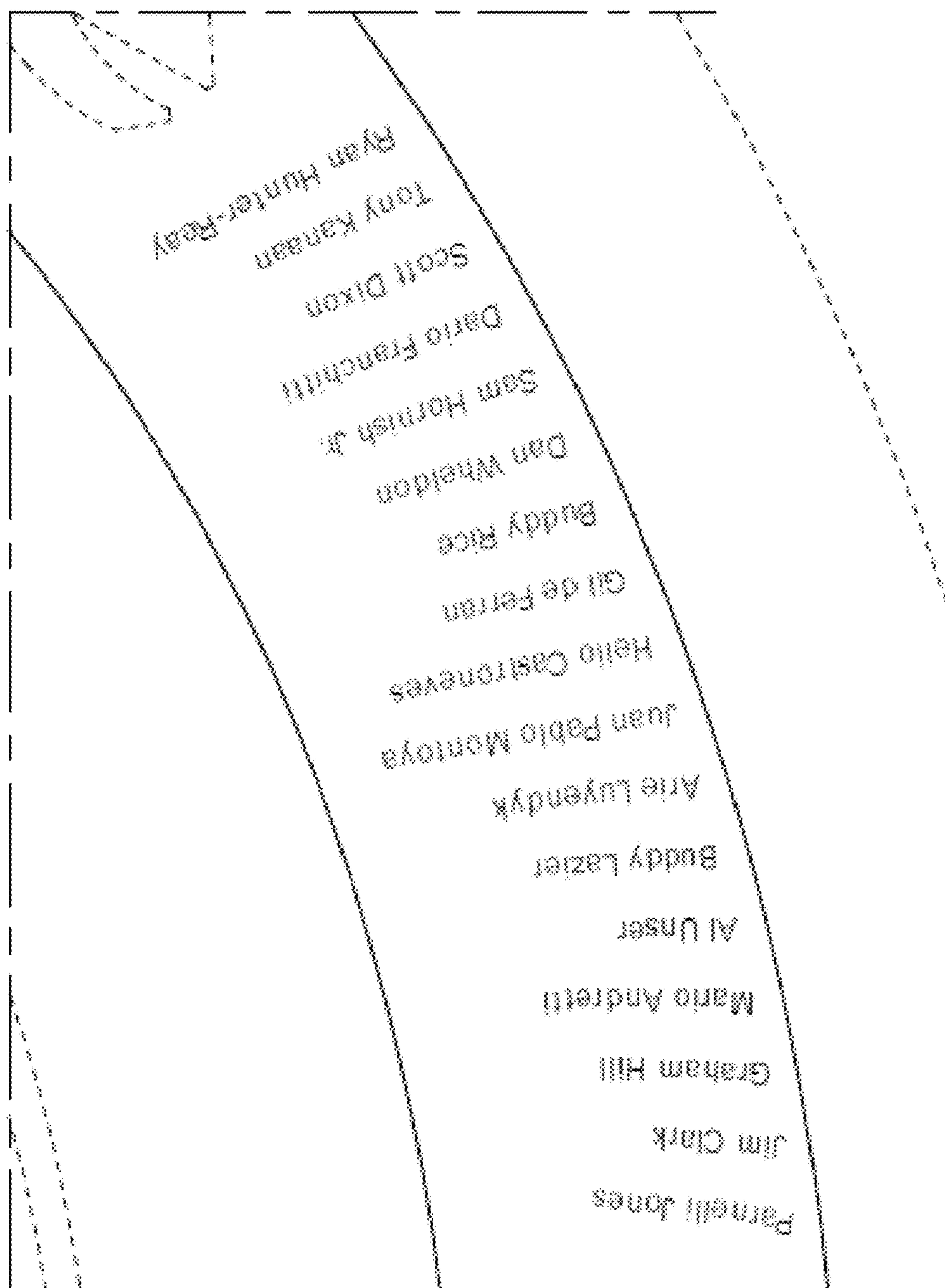


Fig. 5