



US00D818926S

(12) **United States Design Patent**  
**Miyazawa**

(10) **Patent No.:** **US D818,926 S**  
(45) **Date of Patent:** **\*\* May 29, 2018**

(54) **WHEEL FOR AUTOMOBILE**  
(71) Applicant: **Honda Motor Co., Ltd.**, Tokyo (JP)  
(72) Inventor: **Takuya Miyazawa**, Wako (JP)  
(73) Assignee: **Honda Motor Co., Ltd.**, Tokyo (JP)  
(\*\*) Term: **15 Years**

D723,989 S \* 3/2015 Morikawa ..... D12/209  
D726,086 S \* 4/2015 Muntada Roura ..... D12/209  
D738,278 S \* 9/2015 Wolff ..... D12/209  
D753,045 S \* 4/2016 Kawaguchi ..... D12/209  
D763,158 S \* 8/2016 Hara ..... D12/209  
D788,674 S \* 6/2017 Mielke ..... D12/209  
D790,424 S \* 6/2017 Valencia Pollex ..... D12/209  
D791,046 S \* 7/2017 Ishii ..... D12/209  
D804,391 S \* 12/2017 Ishii ..... D12/209

\* cited by examiner

(21) Appl. No.: **29/589,606**  
(22) Filed: **Jan. 3, 2017**

*Primary Examiner* — Sheryl Lane  
*Assistant Examiner* — Calvin E Vansant  
(74) *Attorney, Agent, or Firm* — Plumsea Law Group, LLC

(30) **Foreign Application Priority Data**

Jul. 8, 2016 (JP) ..... 2016-014584

(51) **LOC (11) Cl.** ..... **12-16**

(52) **U.S. Cl.**  
USPC ..... **D12/209**

(58) **Field of Classification Search**  
USPC ..... D12/204–213  
CPC .... B60B 7/00; B60B 7/02; B60B 7/04; B60B 7/06; B60B 3/02; B60B 3/04; B60B 3/06; B60B 3/10  
See application file for complete search history.

(57) **CLAIM**

The ornamental design for a wheel for automobile, as shown and described.

(56) **References Cited**

**U.S. PATENT DOCUMENTS**

D594,800 S \* 6/2009 Blasi ..... D12/209  
D671,474 S \* 11/2012 Juergens ..... D12/209

**DESCRIPTION**

FIG. 1 is a front perspective view of a wheel for automobile; and, FIG. 2 is a front elevation view thereof. The broken lines in the drawings illustrate portions of the wheel for automobile that form no part of the claimed design.

**1 Claim, 2 Drawing Sheets**

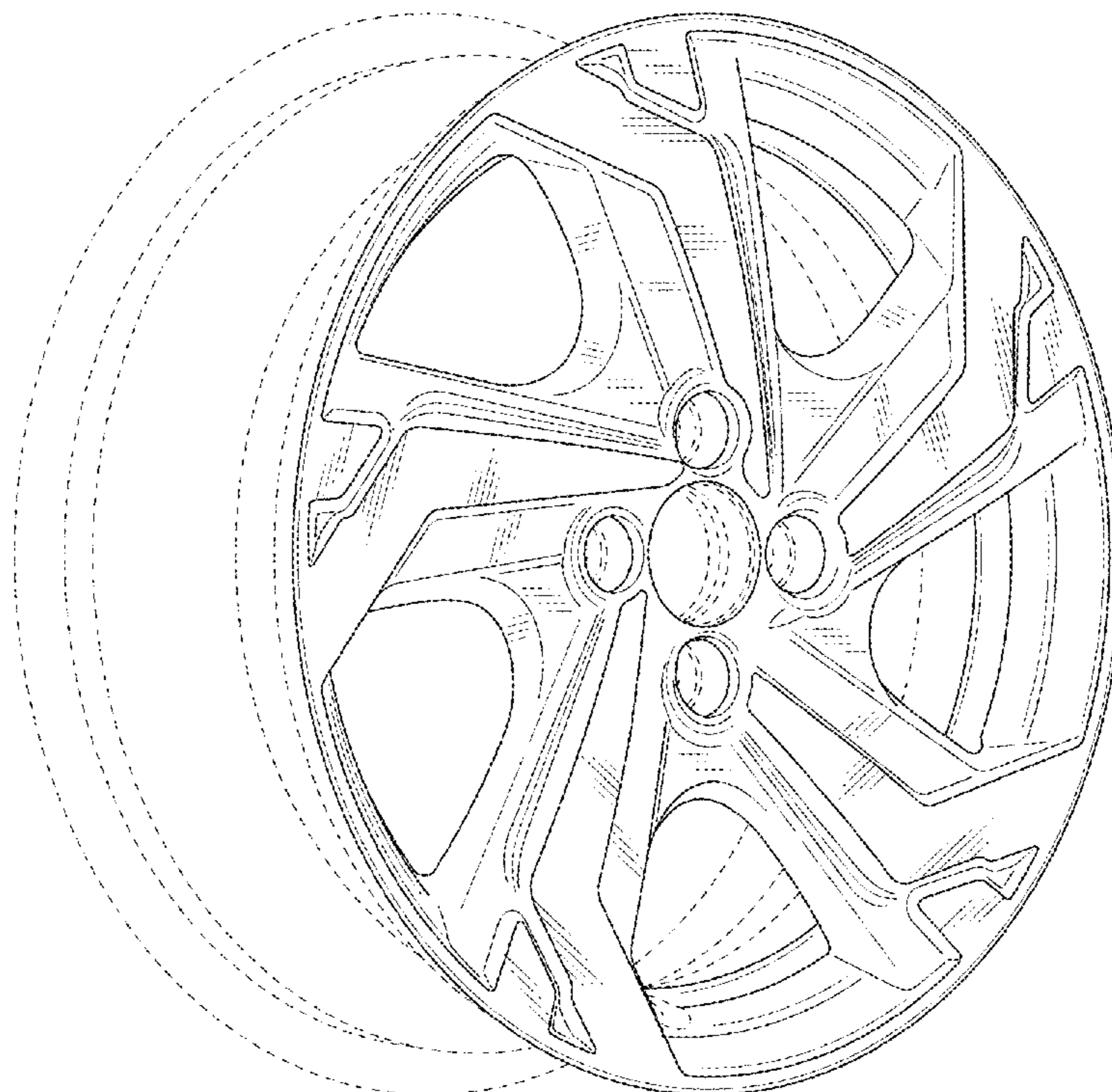


FIG. 1

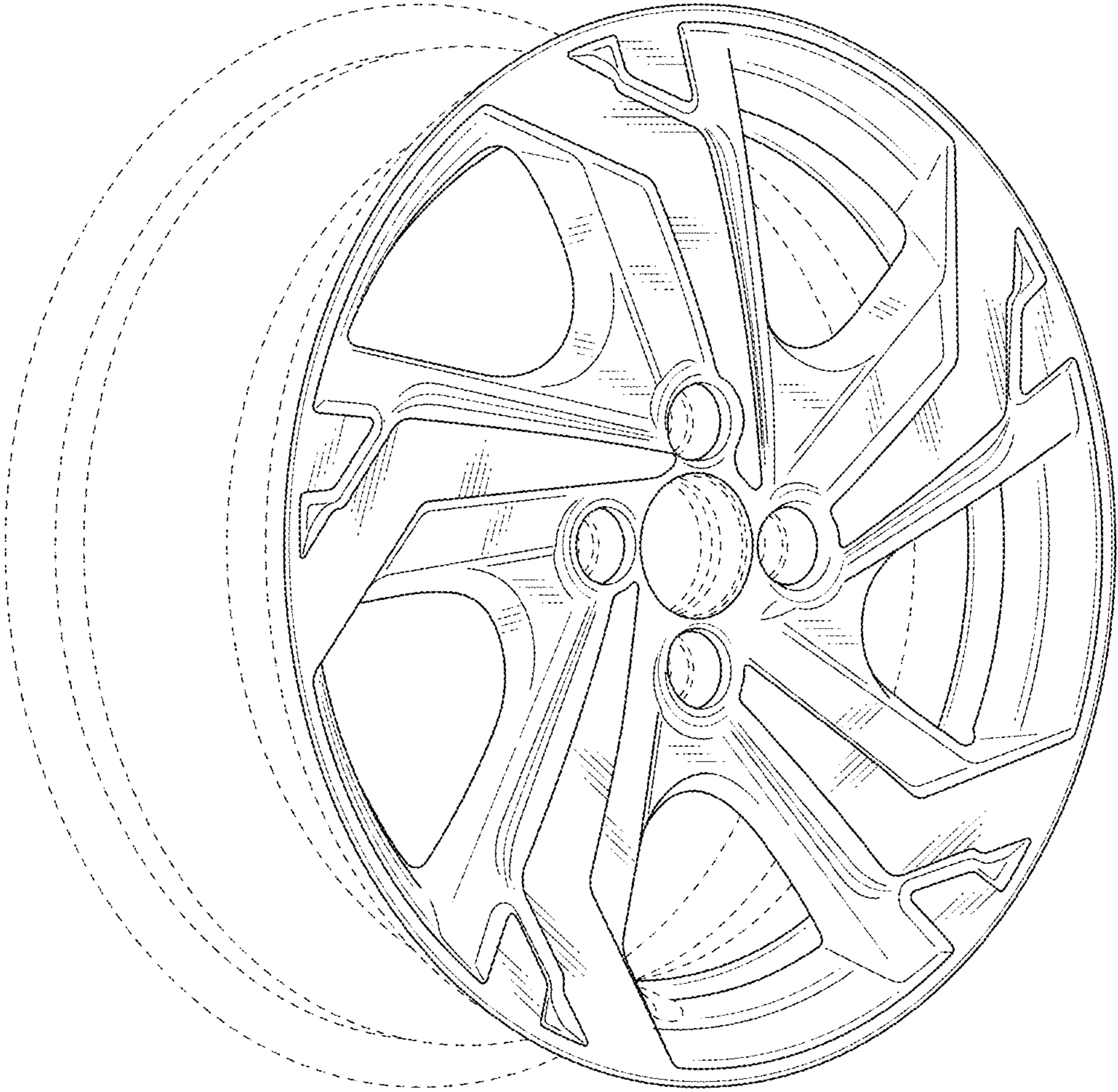


FIG. 2

