



US00D818925S

(12) **United States Design Patent**  
**Sugiyama**

(10) **Patent No.:** **US D818,925 S**

(45) **Date of Patent:** **\*\* May 29, 2018**

(54) **WHEEL FOR AUTOMOBILE**

(71) Applicant: **Honda Motor Co., Ltd.**, Tokyo (JP)

(72) Inventor: **Tabito Sugiyama**, Wako (JP)

(73) Assignee: **Honda Motor Co., Ltd.**, Tokyo (JP)

(\*\*) Term: **15 Years**

(21) Appl. No.: **29/589,602**

(22) Filed: **Jan. 3, 2017**

(30) **Foreign Application Priority Data**

Jul. 8, 2016 (JP) ..... 2016-014585

(51) **LOC (11) Cl.** ..... **12-16**

(52) **U.S. Cl.**  
USPC ..... **D12/209**

(58) **Field of Classification Search**  
USPC ..... D12/204–213  
CPC .... B60B 7/00; B60B 7/02; B60B 7/04; B60B  
7/06; B60B 3/02; B60B 3/04; B60B 3/06;  
B60B 3/10  
See application file for complete search history.

(56) **References Cited**

**U.S. PATENT DOCUMENTS**

D691,938 S \* 10/2013 Churchill ..... D12/211  
D748,553 S \* 2/2016 Miyazawa ..... D12/209

D762,543 S \* 8/2016 Hara ..... D12/209  
D769,165 S \* 10/2016 Choi ..... D12/209  
D782,953 S \* 4/2017 Imazato ..... D12/209  
D788,674 S \* 6/2017 Mielke ..... D12/209  
D792,306 S \* 7/2017 Ishigaki ..... D12/209  
D803,132 S \* 11/2017 Okaji ..... D12/209

\* cited by examiner

*Primary Examiner* — Sheryl Lane

*Assistant Examiner* — Calvin E Vansant

(74) *Attorney, Agent, or Firm* — Plumsea Law Group,  
LLC

(57) **CLAIM**

The ornamental design for a wheel for automobile, as shown and described.

**DESCRIPTION**

FIG. 1 is a front perspective view of a wheel for automobile; and,  
FIG. 2 is a front elevation view thereof.  
The broken lines in the drawings illustrate portions of the wheel for automobile that form no part of the claimed design.

**1 Claim, 2 Drawing Sheets**

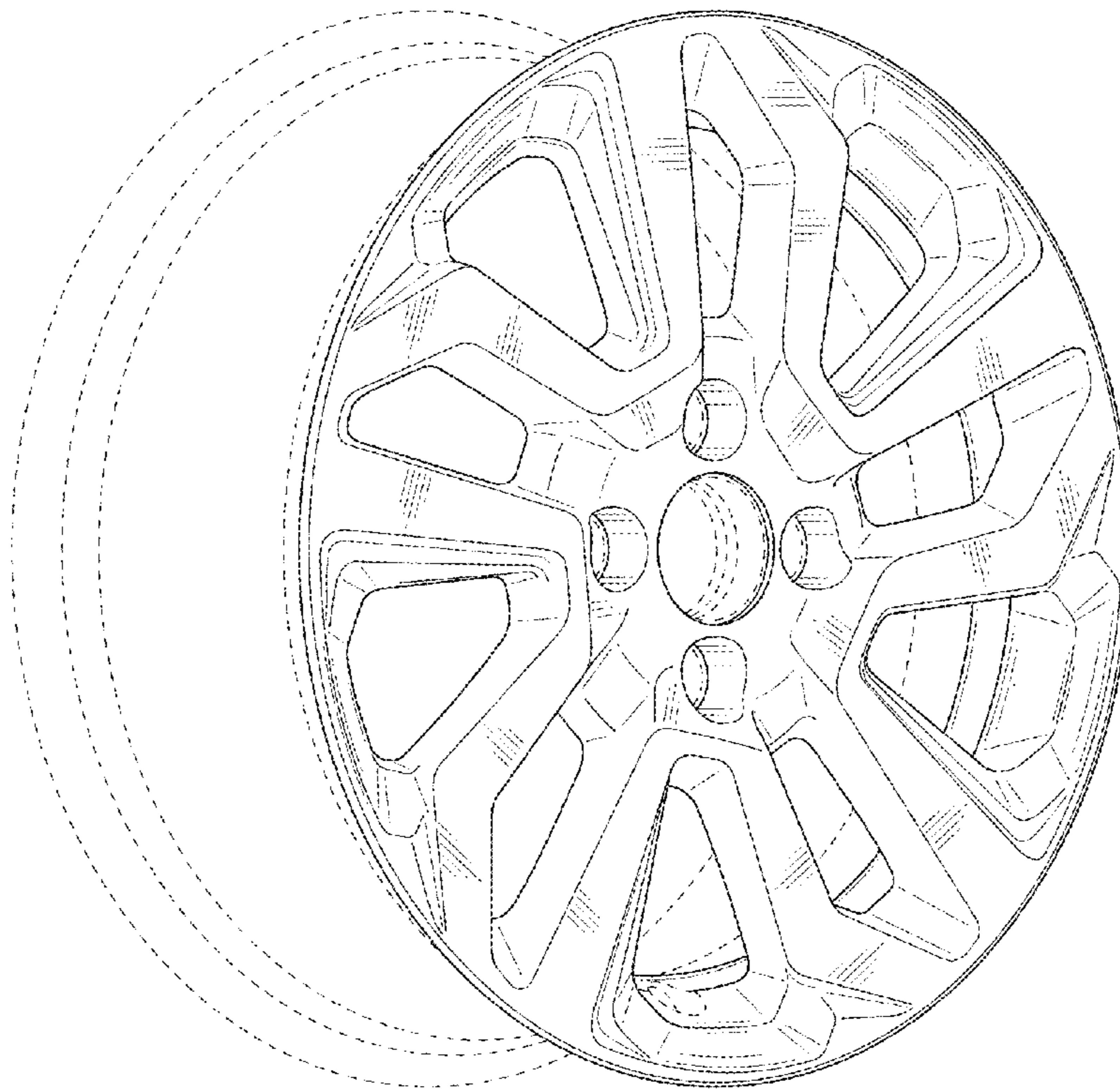


FIG. 1

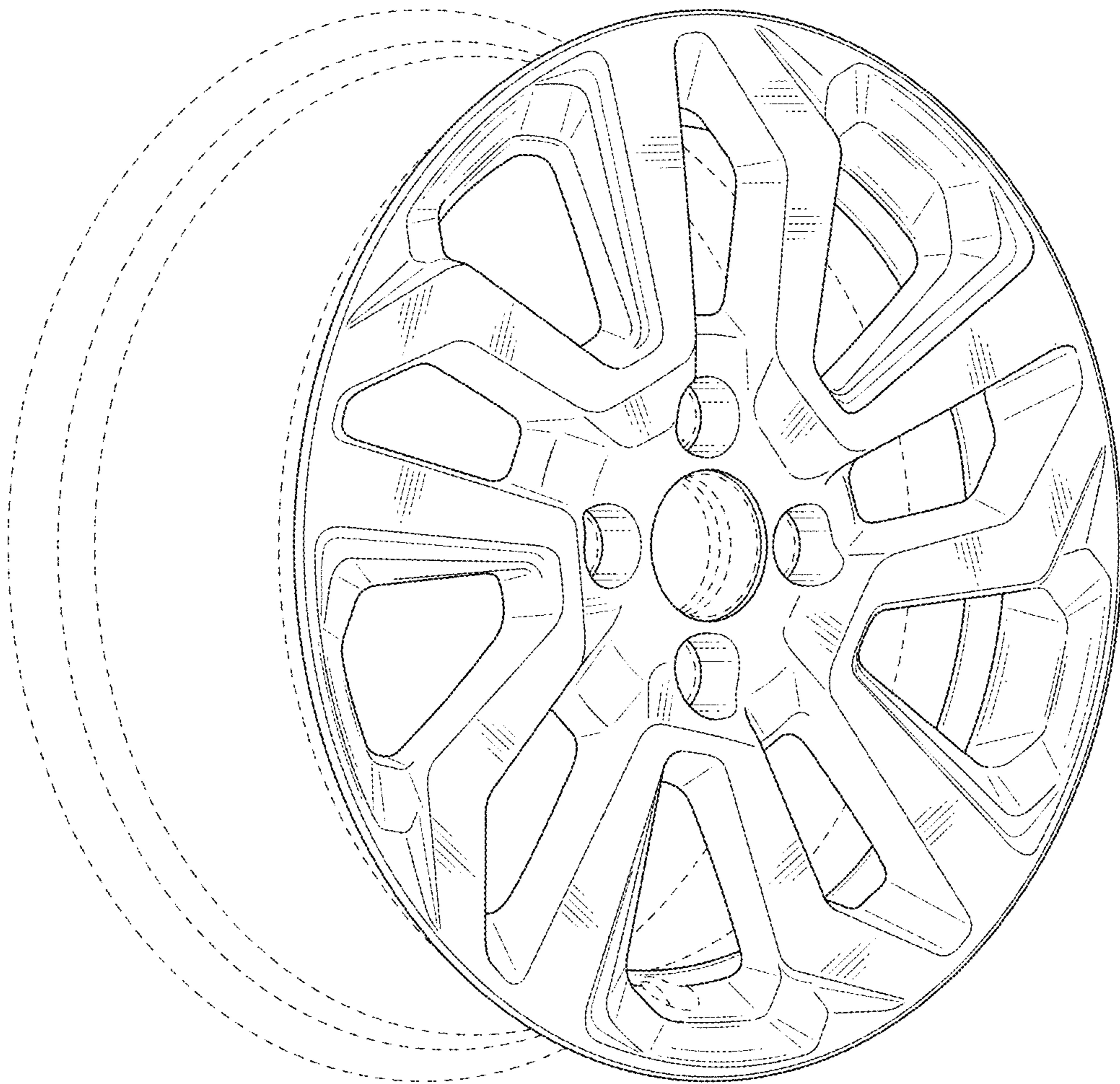


FIG. 2

