



US00D818922S

(12) **United States Design Patent**
Whitla et al.

(10) **Patent No.:** **US D818,922 S**
(45) **Date of Patent:** **** May 29, 2018**

- (54) **VEHICLE DECKLID**
- (71) Applicant: **GM GLOBAL TECHNOLOGY OPERATIONS LLC**, Detroit, MI (US)
- (72) Inventors: **Guy W. Whitla**, Rochester Hills, MI (US); **Takahiko Suginoshita**, Rochester Hills, MI (US); **Ramesh R. Gound**, Troy, MI (US)
- (73) Assignee: **GM Global Technology Operations LLC**, Detroit, MI (US)
- (**) Term: **15 Years**
- (21) Appl. No.: **29/570,303**
- (22) Filed: **Jul. 7, 2016**
- (51) **LOC (11) Cl.** **12-16**
- (52) **U.S. Cl.**
USPC **D12/196**
- (58) **Field of Classification Search**
USPC D12/86, 88, 90, 91, 92, 163, 164, 167, D12/181, 184, 177, 196; D21/424, 433, D21/434; 296/181.1, 181.2, 181.5
CPC B62D 25/00; B62D 25/08; B62D 25/02; B62D 25/16; B62D 25/161; B62D 25/18; B62D 33/00; B62D 33/023; B60R 19/02; B60R 19/03; B60R 2019/527; B60R 2019/1886
See application file for complete search history.

(56) **References Cited**

U.S. PATENT DOCUMENTS

D513,601 S	*	1/2006	Nagashima	D12/196
D514,491 S	*	2/2006	Nagashima	D12/196
D570,742 S		6/2008	Takagi et al.		
D592,105 S		5/2009	Dean et al.		
D597,447 S		8/2009	Folden		
D600,595 S		9/2009	Nakamura et al.		

D601,925 S		10/2009	O'Donnell		
D603,755 S		11/2009	Peters		
D604,203 S		11/2009	O'Donnell		
D605,082 S		12/2009	Munson		
D605,083 S		12/2009	Manoogian, II et al.		
D605,977 S		12/2009	Zipfel et al.		
D605,978 S		12/2009	Wolff et al.		
D608,249 S		1/2010	Peters		
D608,690 S		1/2010	Folden et al.		
D608,691 S		1/2010	Zak, Jr. et al.		
D609,608 S		2/2010	Boniface et al.		
D611,387 S		3/2010	Thompson et al.		
D611,879 S		3/2010	Kim et al.		
D612,297 S		3/2010	Peters et al.		
D613,645 S		4/2010	Song et al.		
D615,458 S		5/2010	Thompson et al.		
D618,595 S		6/2010	Ware et al.		
D620,860 S	*	8/2010	Froehlich	D12/196
D623,090 S		9/2010	Cox et al.		
D627,262 S		11/2010	Ikeda et al.		
D635,488 S		4/2011	Phipps		
D644,147 S		8/2011	Suh et al.		
D644,567 S		9/2011	Kozub		

(Continued)

Primary Examiner — Ian Simmons
Assistant Examiner — Yolanda Robinson
(74) *Attorney, Agent, or Firm* — Reising Ethington P.C.

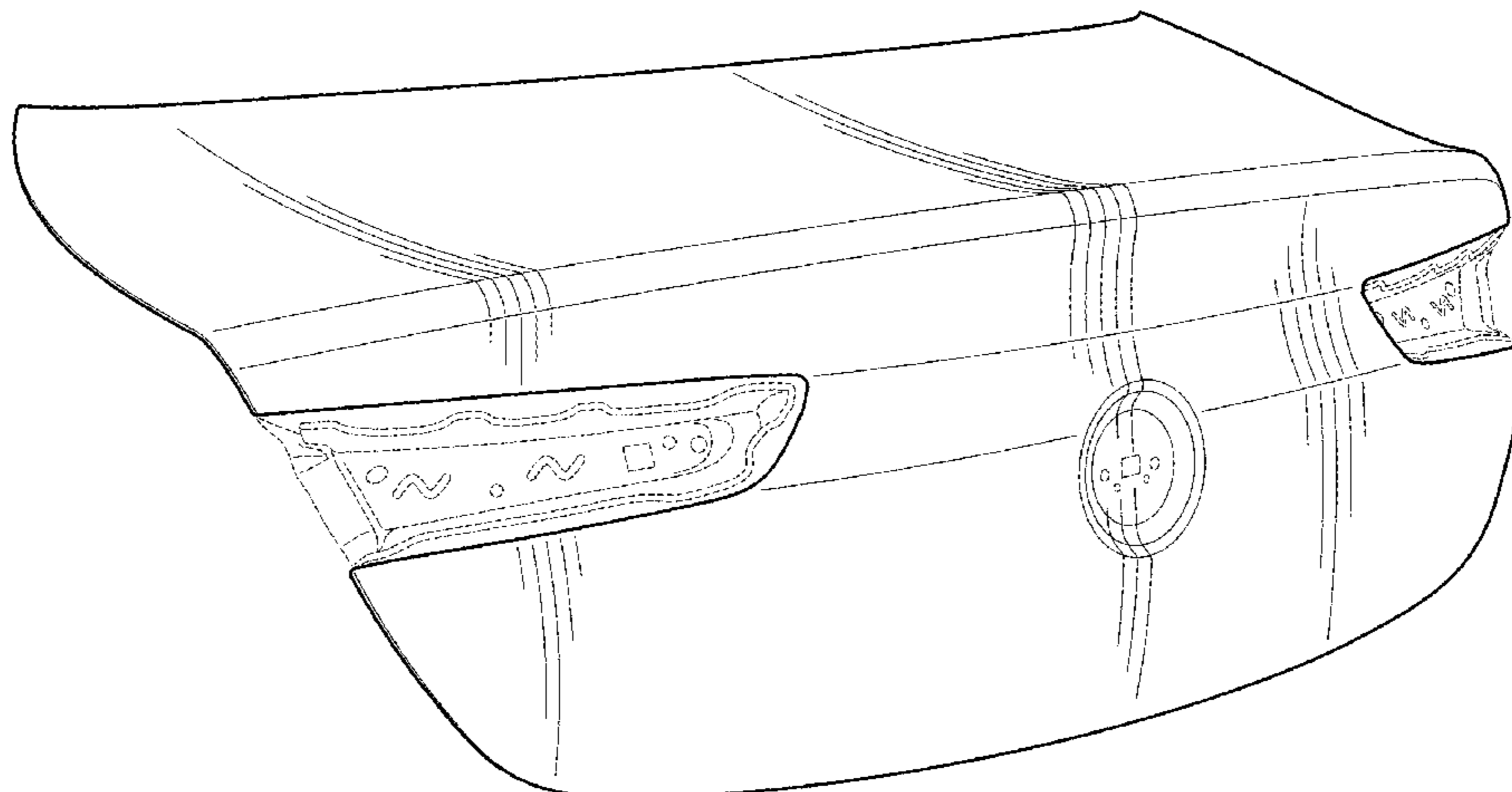
(57) **CLAIM**

The ornamental design for a vehicle decklid, as shown and described.

DESCRIPTION

FIG. 1 is a perspective view of the vehicle decklid; FIG. 2 is a front view thereof; FIG. 3 is a left side view thereof (where the right side view is omitted since the right side view is a mirror image of the left side view); and, FIG. 4 is a top view thereof. In the drawings, the portions shown by broken lines form no part of the claimed design.

1 Claim, 2 Drawing Sheets



(56)

References Cited

U.S. PATENT DOCUMENTS

D657,718 S	4/2012	Zipfel et al.	
D659,052 S	5/2012	Ware et al.	
D659,053 S	5/2012	Ware et al.	
D668,182 S	10/2012	Franco et al.	
D668,183 S	10/2012	Smart	
D678,820 S	3/2013	Son et al.	
D678,821 S	3/2013	Ikeda et al.	
D680,909 S	4/2013	Munson et al.	
D680,910 S	4/2013	David	
D684,514 S *	6/2013	McCabe	D12/196
D684,899 S *	6/2013	Baker	D12/92
D686,536 S	7/2013	McCabe et al.	
D692,798 S	11/2013	Thurber	
D692,799 S	11/2013	Smith et al.	
D696,157 S	12/2013	Loeb	
D699,629 S	2/2014	Ikeda et al.	
D700,871 S	3/2014	O'Donnell et al.	
D703,103 S	4/2014	Lee	
D704,103 S	5/2014	Mack et al.	
D705,132 S	5/2014	Ware et al.	
D705,699 S	5/2014	Ware et al.	
D713,298 S *	9/2014	Dyson	D12/92
D713,764 S *	9/2014	Ferlazzo	D12/92
D715,196 S *	10/2014	Yamashita	D12/92
D715,712 S *	10/2014	Thompson	D12/196
D716,696 S	11/2014	Thole et al.	
D716,706 S	11/2014	Thole et al.	
D716,709 S	11/2014	Thole et al.	
D717,696 S	11/2014	Thole et al.	
D718,189 S	11/2014	Krieg et al.	
D718,683 S	12/2014	Thole et al.	
8,915,532 B2 *	12/2014	Iwano	B62D 25/105 296/146.5
D722,282 S	2/2015	Loeb	
D722,533 S	2/2015	Thole et al.	
D722,534 S	2/2015	Munson et al.	
D724,510 S	3/2015	McMahan et al.	
D725,001 S	3/2015	McMahan et al.	
D726,591 S	4/2015	Jacob	
D730,776 S	6/2015	Smart	
D730,783 S	6/2015	Henriques et al.	
D732,427 S	6/2015	Loeb	
D732,429 S	6/2015	Loeb	
D732,430 S	6/2015	Loeb	
D732,431 S	6/2015	Loeb	
D732,432 S	6/2015	Aengenheyster	
D732,433 S	6/2015	Aengenheyster	
D732,435 S	6/2015	Mackay	
D733,002 S	6/2015	Loeb	
D735,611 S	8/2015	Aengenheyster	
D735,627 S	8/2015	Smith	
D736,451 S	8/2015	Smith	
D739,306 S	9/2015	McMahan et al.	
D739,317 S	9/2015	McMahan et al.	
D741,223 S	10/2015	Kim et al.	
D743,309 S	11/2015	Thole et al.	
D743,313 S	11/2015	Smith et al.	
D743,314 S	11/2015	Thole et al.	
D743,857 S	11/2015	McMahan et al.	
D744,158 S	11/2015	Willett et al.	
D745,086 S	12/2015	Finos et al.	
D745,719 S	12/2015	Boniface et al.	
D745,725 S	12/2015	McMahan et al.	
D745,726 S	12/2015	McMahan et al.	
D745,837 S	12/2015	Smith et al.	
D746,206 S *	12/2015	Duff	D12/196
D746,726 S	1/2016	Smith et al.	
D746,727 S	1/2016	Smith et al.	
D746,728 S	1/2016	Smith et al.	
D746,729 S	1/2016	Boniface et al.	
D746,730 S	1/2016	Kim et al.	
D747,514 S	1/2016	McMahan et al.	
D747,515 S	1/2016	McMahan et al.	
D747,819 S	1/2016	Thole et al.	
D749,021 S	2/2016	Boniface et al.	
D749,026 S	2/2016	Smith et al.	
D749,027 S	2/2016	McMahan et al.	
D749,246 S	2/2016	Thole et al.	
D749,249 S	2/2016	Thole et al.	
D749,250 S	2/2016	Thole et al.	
D749,985 S	2/2016	Kozub et al.	
D749,997 S	2/2016	McMahan et al.	
D750,001 S	2/2016	Thole et al.	
D753,032 S	4/2016	Smith et al.	
D753,033 S	4/2016	Thole et al.	
D753,034 S	4/2016	Thole et al.	
D753,035 S	4/2016	Boniface et al.	
D753,559 S	4/2016	McMahan et al.	
D753,560 S	4/2016	McMahan et al.	
D753,567 S	4/2016	Boniface et al.	
D754,571 S	4/2016	Boniface et al.	
D754,572 S	4/2016	McMahan et al.	
D755,088 S	5/2016	McMahan et al.	
D756,849 S *	5/2016	Garcia Lopez	D12/92
D756,869 S	5/2016	McMahan et al.	
D758,250 S *	6/2016	Lesnik	D12/92
D758,271 S	6/2016	McMahan et al.	
D764,978 S *	8/2016	Stone	D12/92
D764,996 S *	8/2016	Lee	D12/196
D766,134 S *	9/2016	An	D12/92
D767,461 S *	9/2016	Kozub	D12/196
D769,780 S *	10/2016	Lesnik	D12/164
D773,961 S *	12/2016	Kim	D12/92
D783,484 S *	4/2017	Lee	D12/196
D784,885 S *	4/2017	Curic	D12/196
D788,001 S *	5/2017	Lee	D12/196
D788,645 S *	6/2017	Mueller	D12/91
2017/0174060 A1 *	6/2017	Nania	B60J 7/047

* cited by examiner

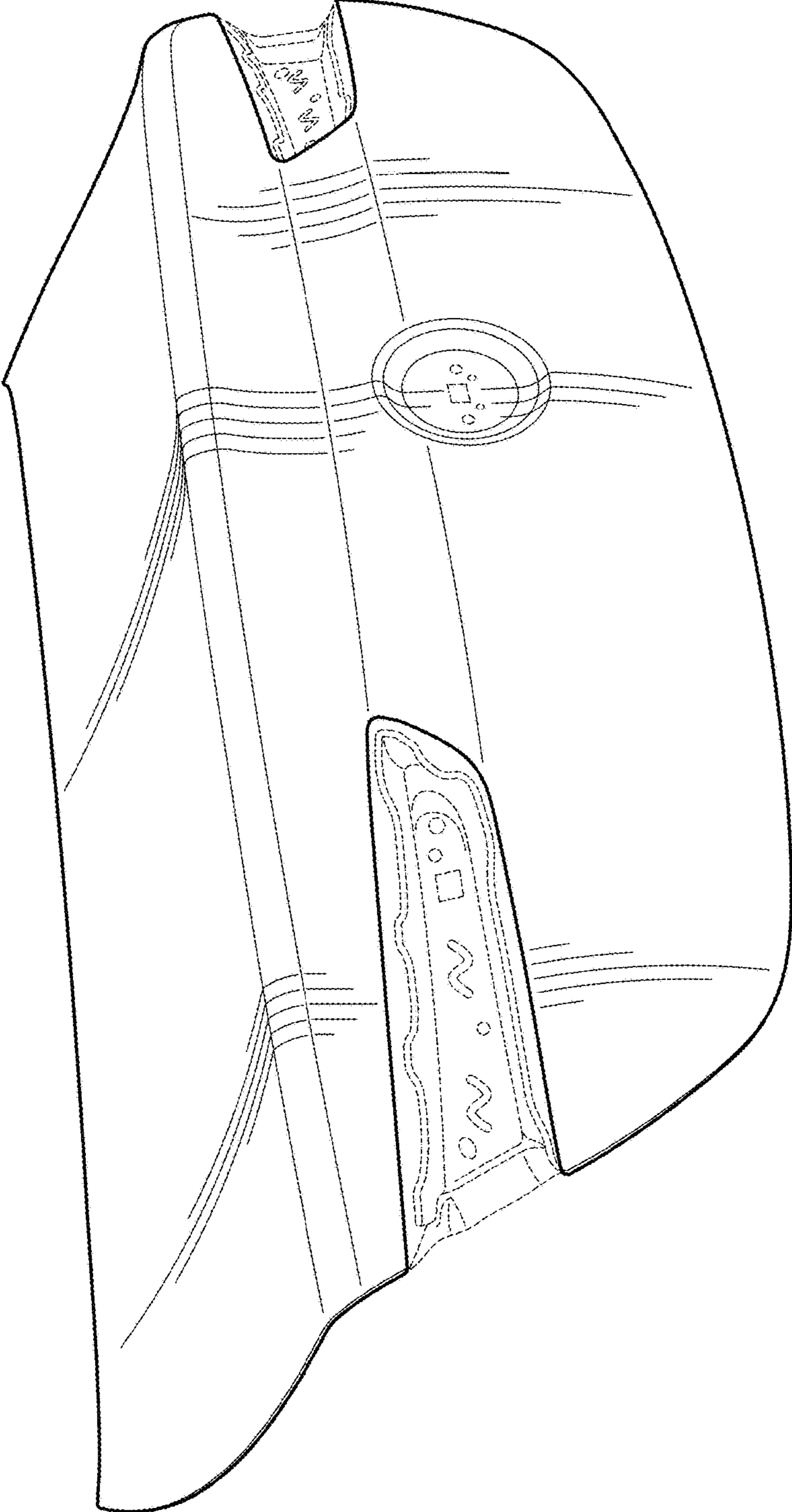


FIG. 1

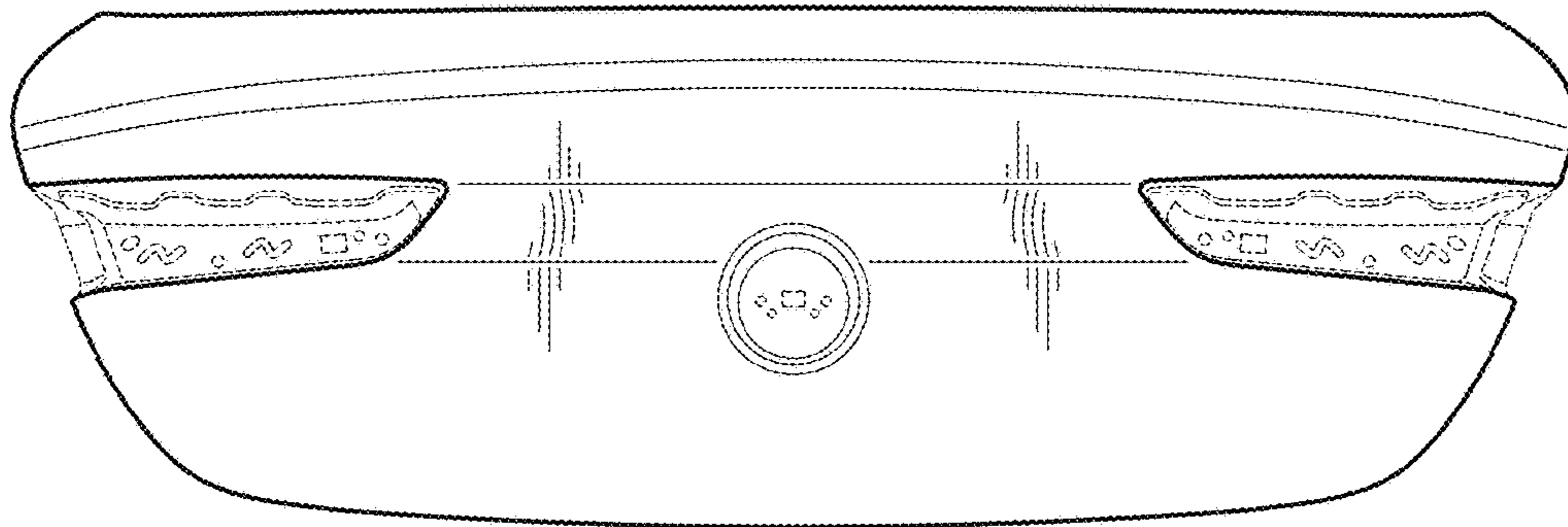


FIG. 2

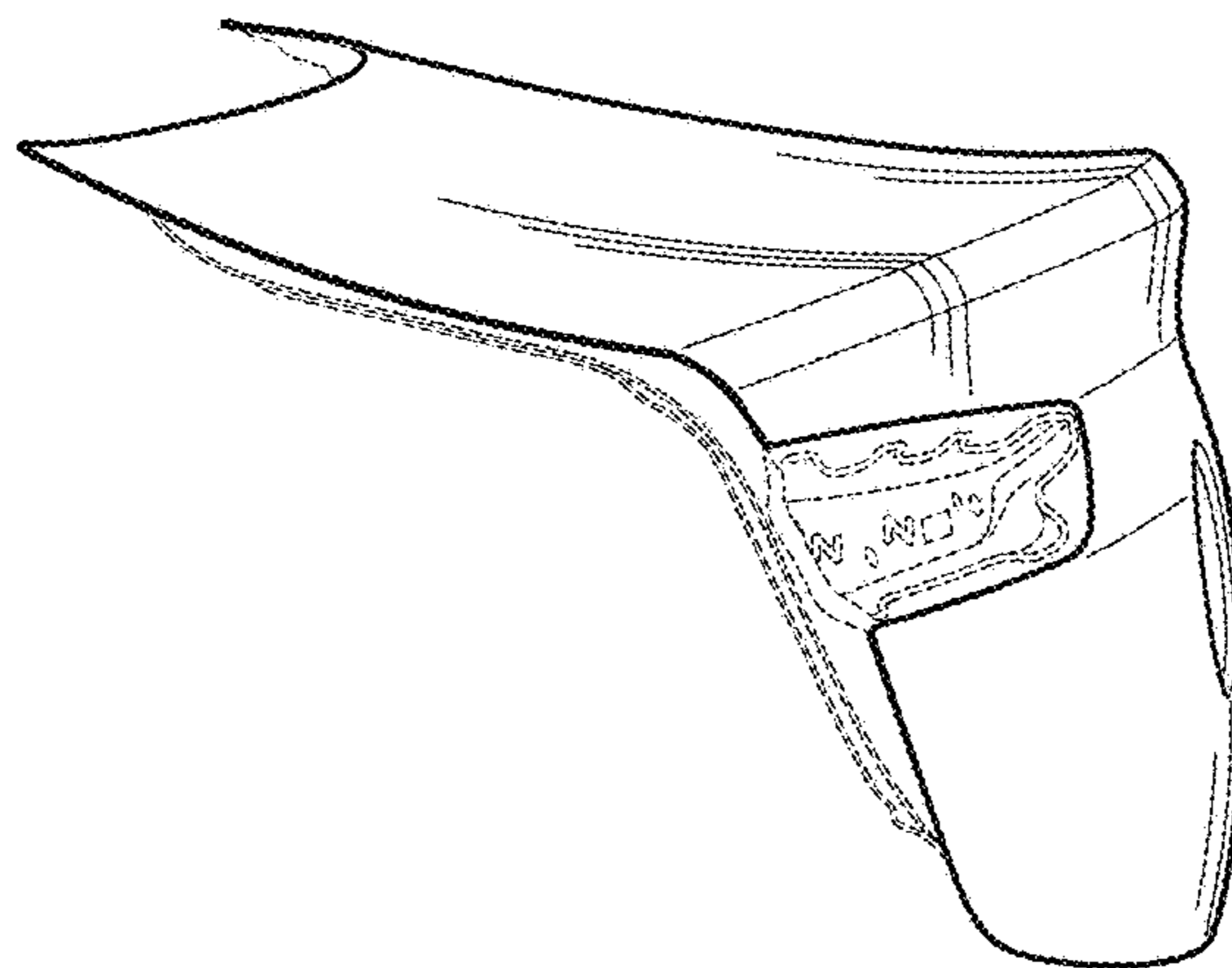


FIG. 3

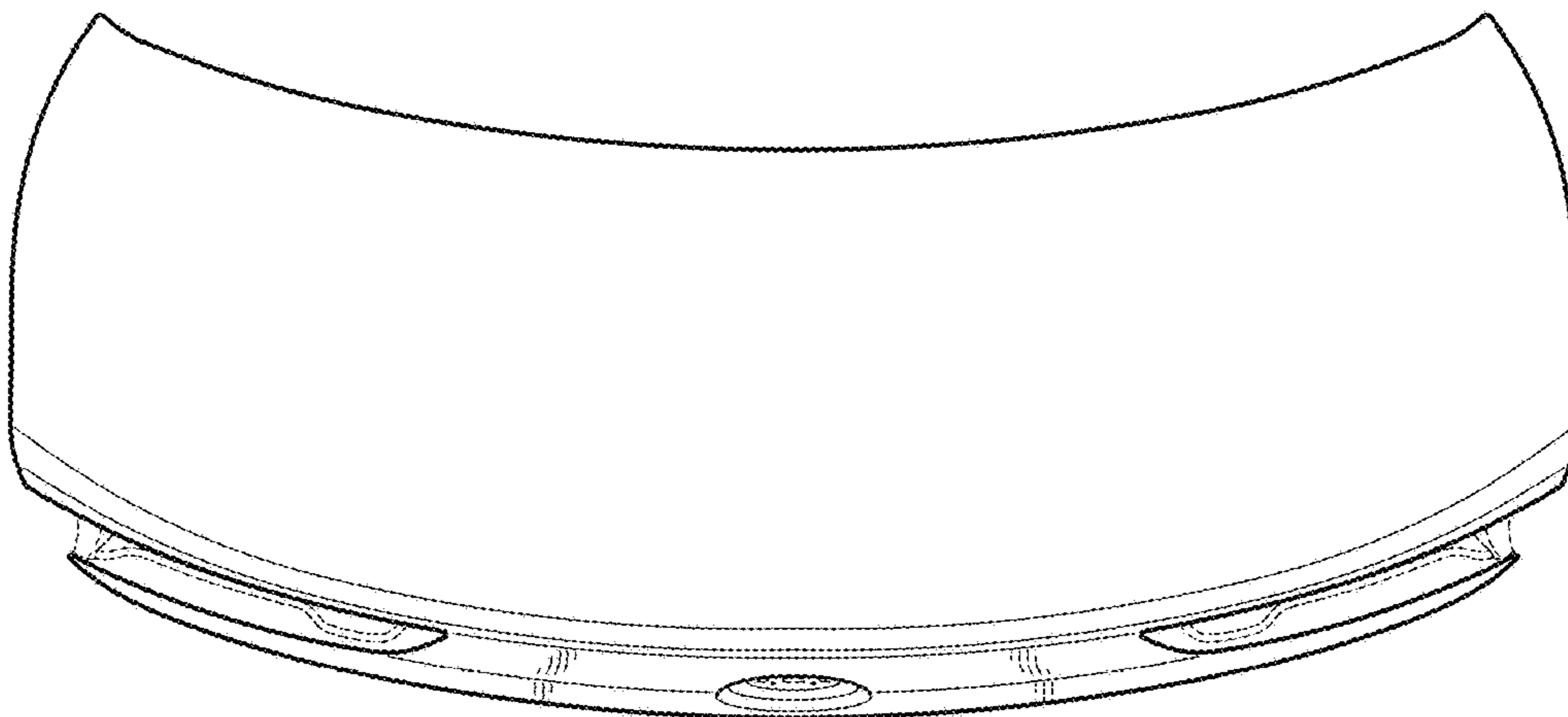


FIG. 4