



US00D818921S

(12) **United States Design Patent** (10) **Patent No.:** **US D818,921 S**
Pelletier et al. (45) **Date of Patent:** **** May 29, 2018**

(54) **INTERIOR OF VEHICLE** 4,173,369 A * 11/1979 Roggin B60R 21/12
296/24.46
(71) Applicant: **Motor Coach Industries Limited,** 4,339,224 A 7/1982 Lamb
Winnipeg (CA) 4,457,554 A 7/1984 Fuisz et al.
4,666,204 A 5/1987 Reinholtz
(72) Inventors: **John-Paul Pelletier,** Winnipeg (CA); 4,688,843 A 8/1987 Hall
Paul Fazio, Oak Bank (CA) 4,690,364 A 9/1987 Constantin
4,759,682 A 7/1988 Hood
(Continued)
(73) Assignee: **Motor Coach Industries Limited,**
Winnipeg (CA)

FOREIGN PATENT DOCUMENTS

(**) Term: **15 Years** CA 2652352 A1 8/2009
DE 3738302 A1 7/1988
(Continued)

(21) Appl. No.: **29/595,352**

OTHER PUBLICATIONS

(22) Filed: **Feb. 27, 2017**
(51) **LOC (11) Cl.** **12-08**
(52) **U.S. Cl.**
USPC **D12/195**
(58) **Field of Classification Search**
USPC D12/195, 193, 414, 190, 196; D15/17,
D15/28; D10/46, 98, 102-103;
D8/302-303
CPC B60J 5/04; B60R 13/0243; B60R 13/02;
B60N 2/4693
See application file for complete search history.

May 23, 2017—(WO) Partial International Search Report—App.
PCT/US2017/018510.
(Continued)

Primary Examiner — Katrina A Betton
(74) *Attorney, Agent, or Firm* — Banner & Witcoff, Ltd.

(57) **CLAIM**

The ornamental design for an interior of vehicle, as shown
and described.

(56) **References Cited**

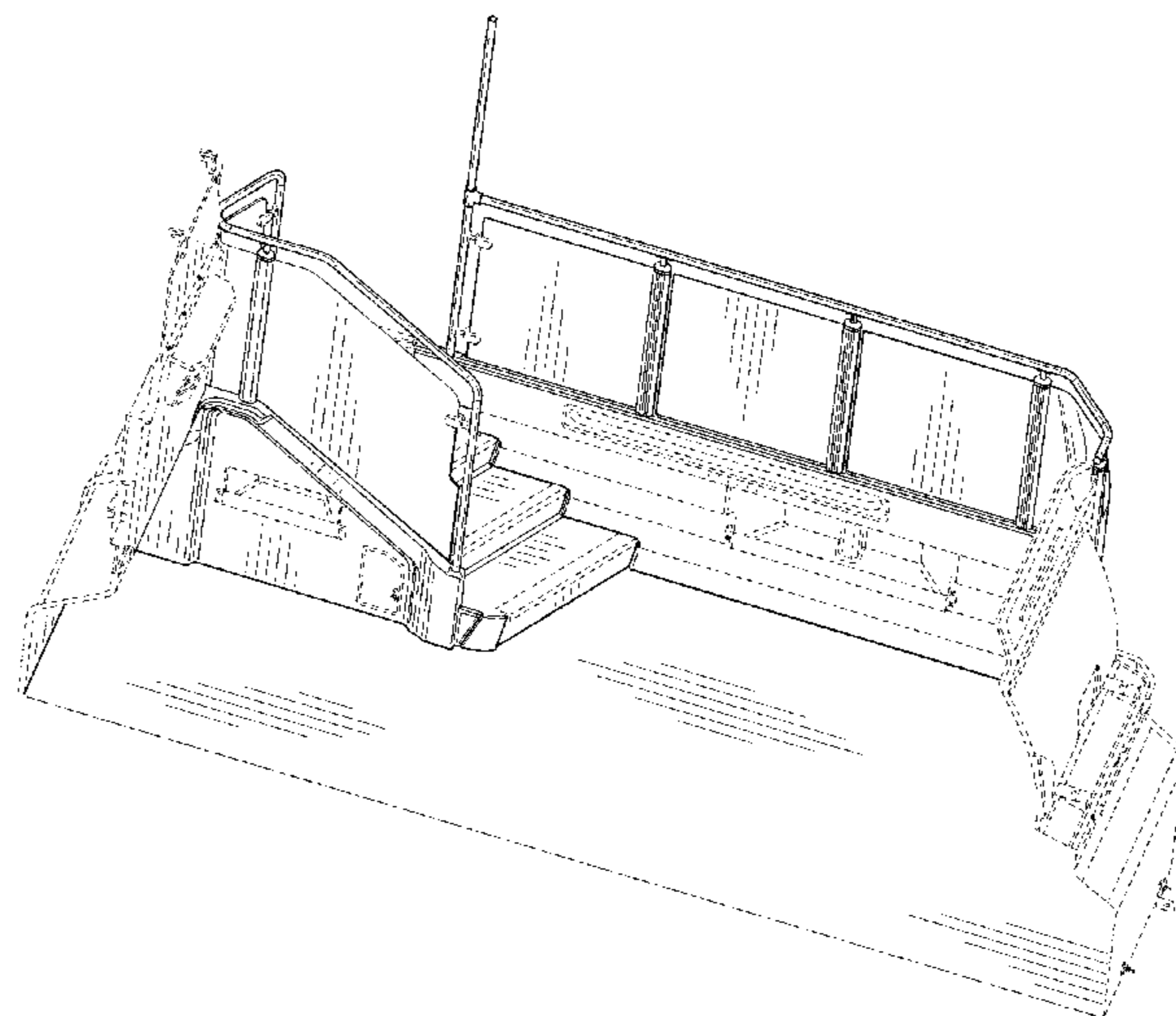
DESCRIPTION

U.S. PATENT DOCUMENTS

1,508,178 A	9/1924	Gage
1,596,212 A	8/1926	Newell
1,654,492 A	12/1927	Corbin, Jr.
1,905,842 A	4/1933	Forrester
2,405,136 A	8/1946	Dittrich
D161,488 S	1/1951	Meldrum
D169,855 S	6/1953	Kay
D173,653 S	12/1954	Gigardy
2,822,055 A	2/1958	Ludowici
D189,745 S	2/1961	Ahrens
3,971,455 A	7/1976	Molzon
4,071,152 A	1/1978	Kinkead et al.
4,131,209 A	12/1978	Manning

FIG. 1 is a rear perspective view of an interior of vehicle
showing our new design;
FIG. 2 is a front perspective view thereof;
FIG. 3 is a side view thereof; and,
FIG. 4 is a top view thereof.
The broken lines immediately adjacent to the shaded area
represent unclaimed boundaries of the design. The broken
lines showing the remainder of the interior of vehicle
represent unclaimed subject matter and form no part of the
claimed design.

1 Claim, 4 Drawing Sheets



(56)

References Cited

U.S. PATENT DOCUMENTS

4,964,671 A 10/1990 Millar
 5,197,774 A 3/1993 Diaz
 5,259,081 A 11/1993 Henderson
 5,577,793 A 11/1996 Kobasic
 5,636,399 A 6/1997 Tremblay et al.
 5,651,579 A 7/1997 Krieger
 5,967,583 A 10/1999 Wishart
 6,113,325 A 9/2000 Craft
 6,126,218 A 10/2000 Karhumaki
 6,179,545 B1 1/2001 Petersen, Jr. et al.
 6,238,168 B1 5/2001 Cohn et al.
 6,357,979 B1 * 3/2002 Montagna B60R 21/026
 410/121
 6,390,537 B1 5/2002 DiGonis
 6,474,713 B1 * 11/2002 Ruck B60R 21/026
 280/748
 7,040,847 B1 5/2006 Cardona
 7,318,614 B2 * 1/2008 Steiger B62D 33/042
 296/24.4
 D566,649 S * 4/2008 Panasewicz D12/426
 7,717,655 B2 5/2010 Cardona
 7,802,801 B2 9/2010 Bartel et al.
 D628,133 S 11/2010 Counts
 7,963,730 B2 6/2011 Ditch et al.
 8,156,595 B2 4/2012 Budd et al.
 8,284,327 B2 10/2012 Counts
 8,424,944 B2 * 4/2013 Rori B60N 2/3013
 296/193.07
 8,651,782 B2 2/2014 Van Roosmalen et al.
 8,911,188 B1 12/2014 Mill
 8,911,196 B2 12/2014 Cazes
 8,926,254 B2 1/2015 Pocobello et al.

9,061,655 B2 6/2015 Verachtert
 D794,523 S * 8/2017 Pepin D12/195
 D796,403 S * 9/2017 Ahn D12/195
 2001/0038787 A1 11/2001 Beck et al.
 2002/0136623 A1 9/2002 Bauers
 2003/0132049 A1 7/2003 Kurttila et al.
 2003/0215316 A1 11/2003 Burney et al.
 2009/0087278 A1 4/2009 Girardin et al.
 2009/0224570 A1 9/2009 Haswell et al.
 2010/0237646 A1 * 9/2010 Forsyth B60R 21/12
 296/24.46
 2013/0113232 A1 * 5/2013 Sage B60R 21/12
 296/24.46
 2014/0219756 A1 8/2014 Smith et al.
 2014/0334893 A1 11/2014 Goss et al.
 2014/0356090 A1 12/2014 Cardona
 2014/0369778 A1 12/2014 Hermanson et al.
 2015/0097363 A1 4/2015 Bell et al.
 2015/0164716 A1 6/2015 Kilduff et al.

FOREIGN PATENT DOCUMENTS

DE 4131902 A1 4/1993
 GB 2417021 A 2/2006
 WO 0230704 A1 4/2002
 WO 03002397 A1 1/2003
 WO 2006079768 A1 8/2006

OTHER PUBLICATIONS

Sep. 26, 2017—(U.S.) Office Action—U.S. Appl. No. 15/217,611.
 Aug. 7, 2017—(WO) International Search Report and Written
 Opinion.

* cited by examiner

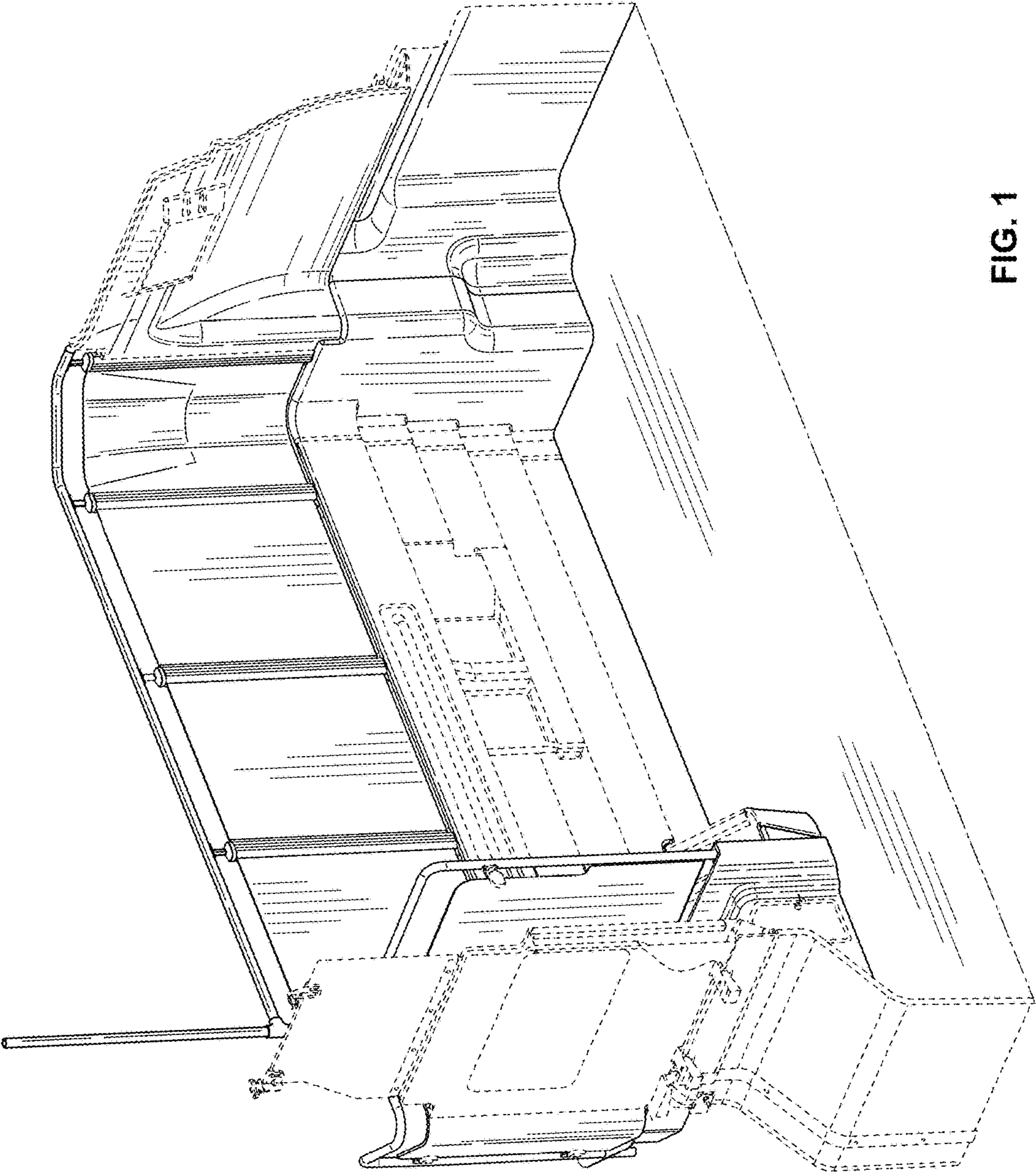


FIG. 1

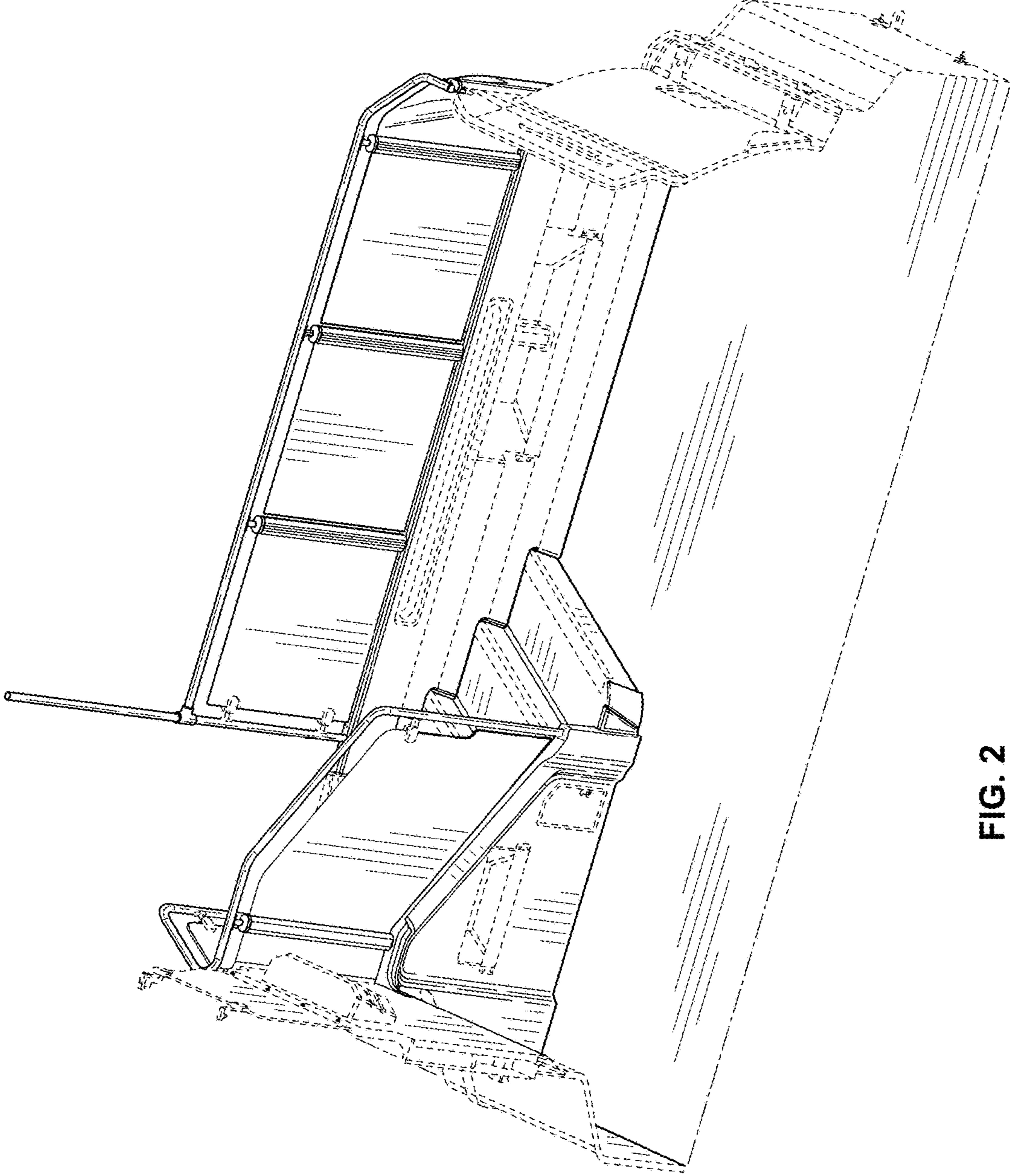


FIG. 2

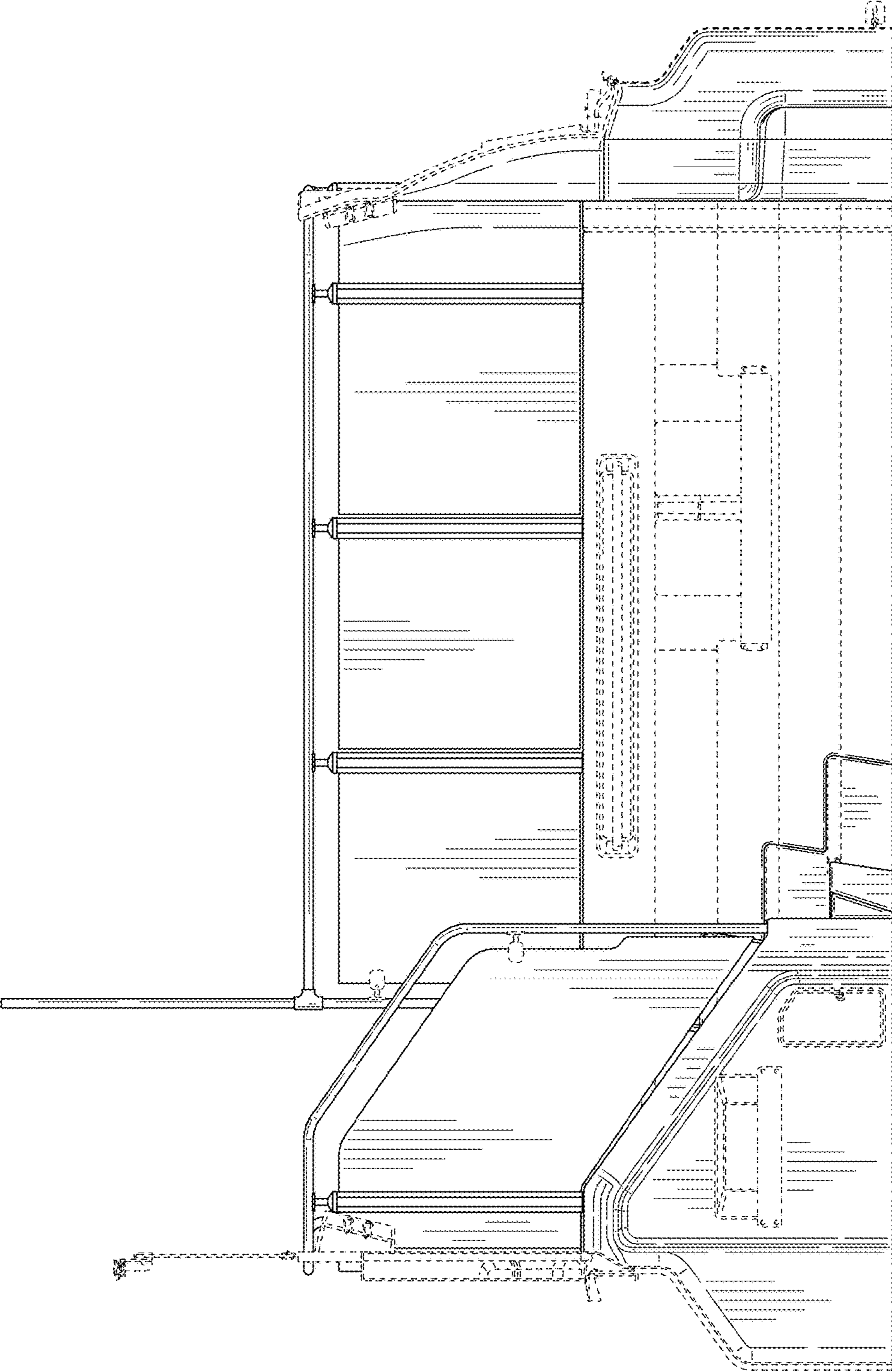


FIG. 3

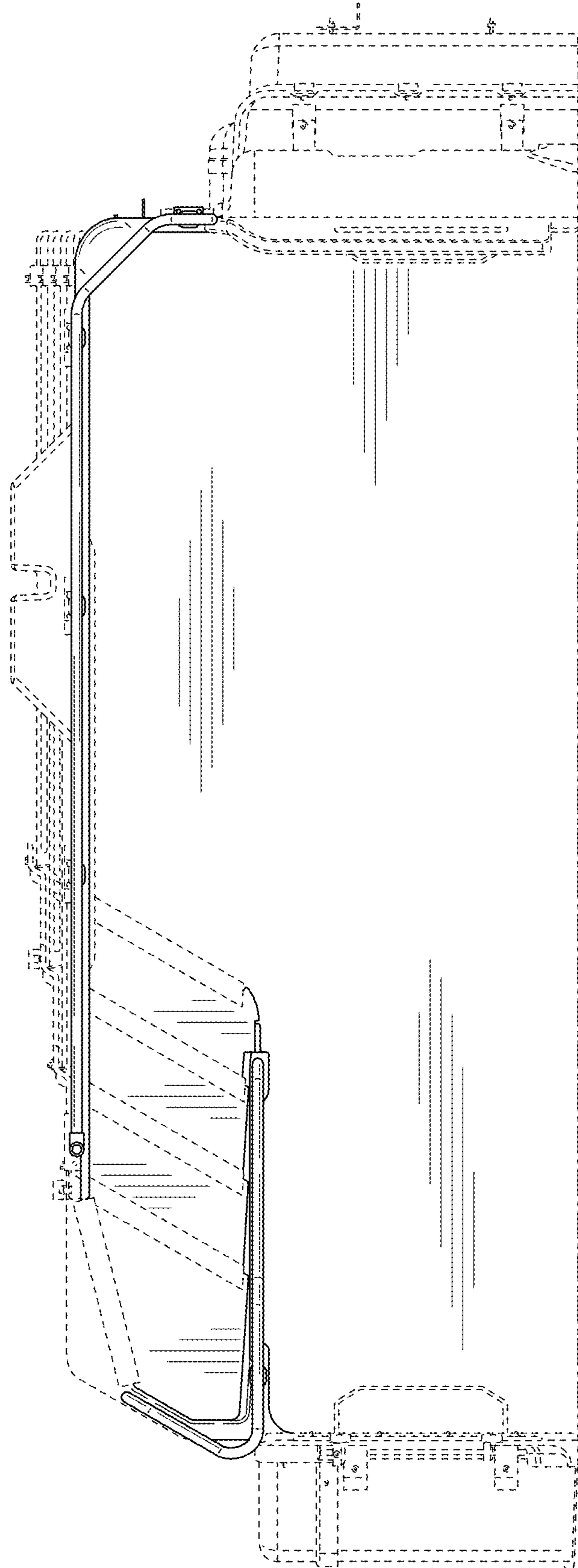


FIG. 4