



US00D818920S

(12) **United States Design Patent** (10) **Patent No.:** **US D818,920 S**  
**Hodges** (45) **Date of Patent:** **\*\* May 29, 2018**

(54) **VEHICLE PARTITION**

(71) Applicant: **Frank J. Hodges**, Corona, CA (US)

(72) Inventor: **Frank J. Hodges**, Corona, CA (US)

(\*\*) Term: **15 Years**

(21) Appl. No.: **29/587,668**

(22) Filed: **Dec. 14, 2016**

(51) **LOC (11) Cl.** ..... **12-08**

(52) **U.S. Cl.**  
USPC ..... **D12/195**

(58) **Field of Classification Search**  
USPC ..... D12/195, 193, 414, 190, 196; D15/17,  
D15/28; D10/46, 98, 102-103;  
D8/302-303  
CPC ..... B60J 5/04; B60R 13/0243; B60R 13/02;  
B60N 2/4693  
See application file for complete search history.

(56) **References Cited**

**U.S. PATENT DOCUMENTS**

D215,051 S \* 8/1969 Feth ..... D12/195  
4,173,369 A \* 11/1979 Roggin ..... B60R 21/12  
296/24.46  
D253,765 S \* 12/1979 Roggin ..... D12/195  
6,474,713 B1 \* 11/2002 Ruck ..... B60R 21/026  
280/748

D794,523 S \* 8/2017 Pepin ..... D12/195  
2010/0237646 A1 \* 9/2010 Forsyth ..... B60R 21/12  
296/24.46  
2013/0113232 A1 \* 5/2013 Sage ..... B60R 21/12  
296/24.46

\* cited by examiner

*Primary Examiner* — Katrina A Betton

(74) *Attorney, Agent, or Firm* — Eric B. Alspaugh

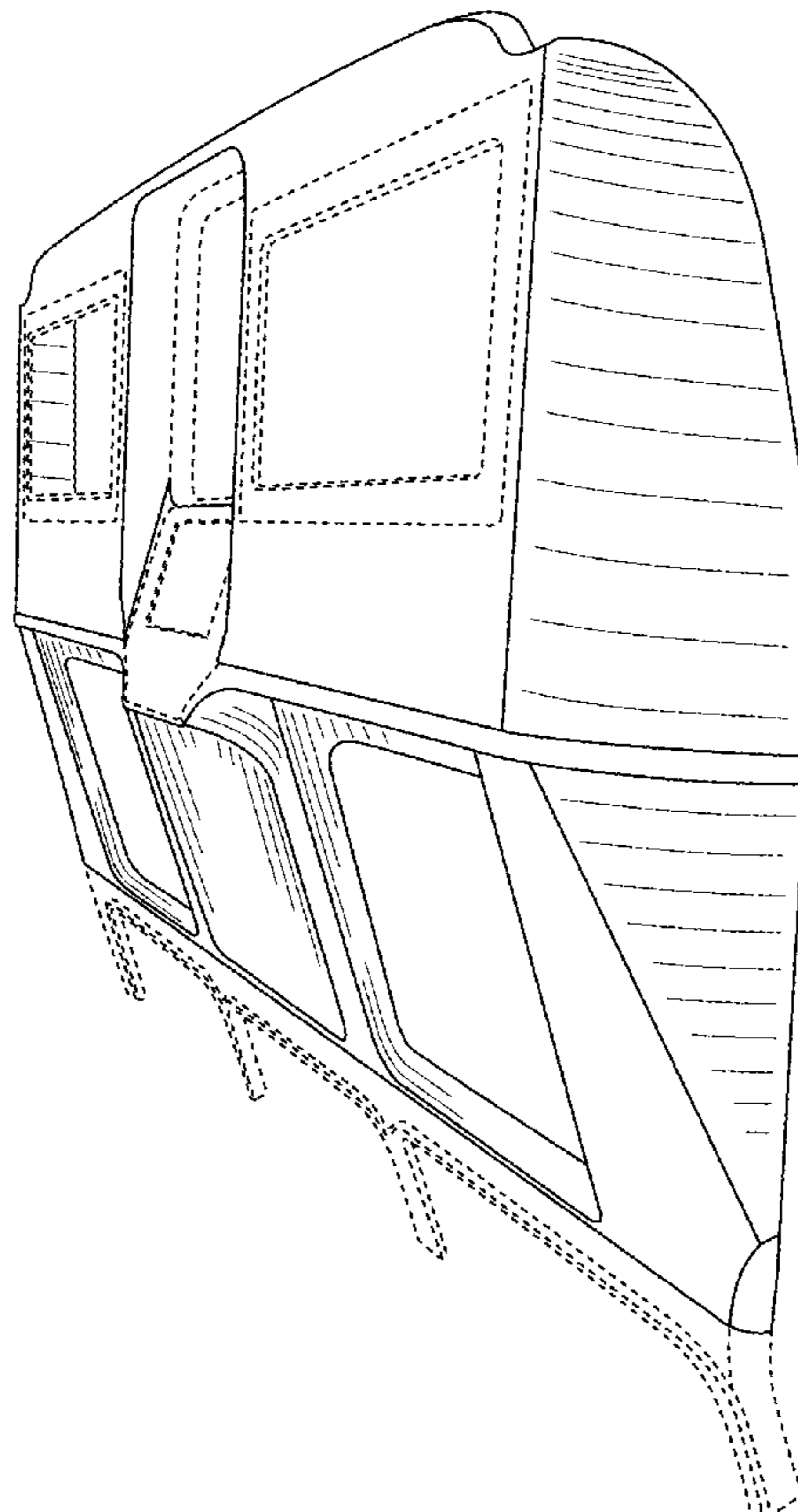
(57) **CLAIM**

The ornamental design for a vehicle partition, as shown and described.

**DESCRIPTION**

FIG. 1 is a front view of a vehicle partition showing my new design;  
FIG. 2. is a left side view thereof;  
FIG. 3. is a right side view thereof;  
FIG. 4. is a tilted up front perspective view thereof;  
FIG. 5. is a tilted down front view thereof;  
FIG. 6. is an oblique left back side view thereof; and,  
FIG. 7 is an oblique left side view thereof.  
The portions shown in phantom provide context only but do not limit the claim and should not be considered part of the claimed design.

**1 Claim, 7 Drawing Sheets**



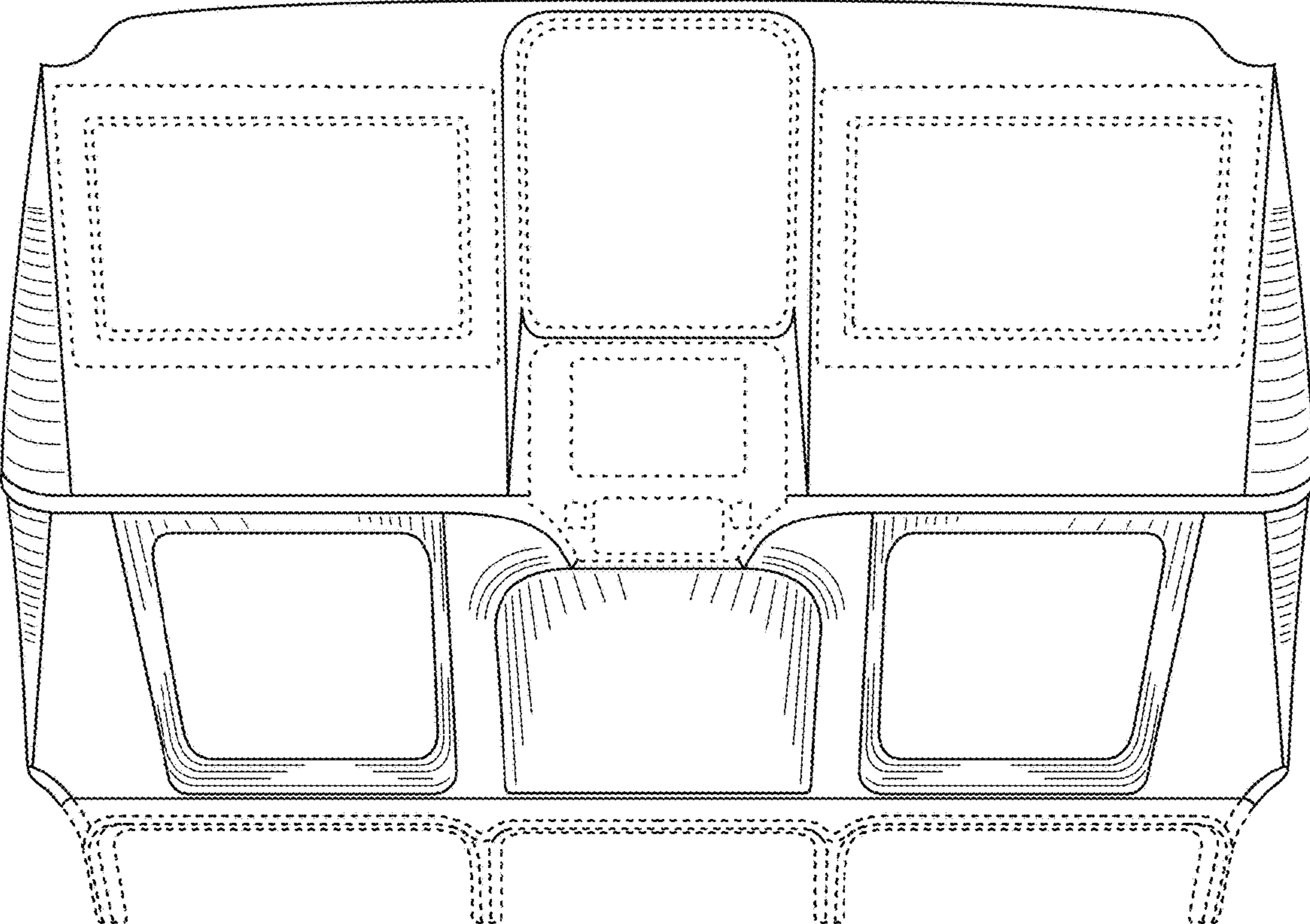


Fig. 1

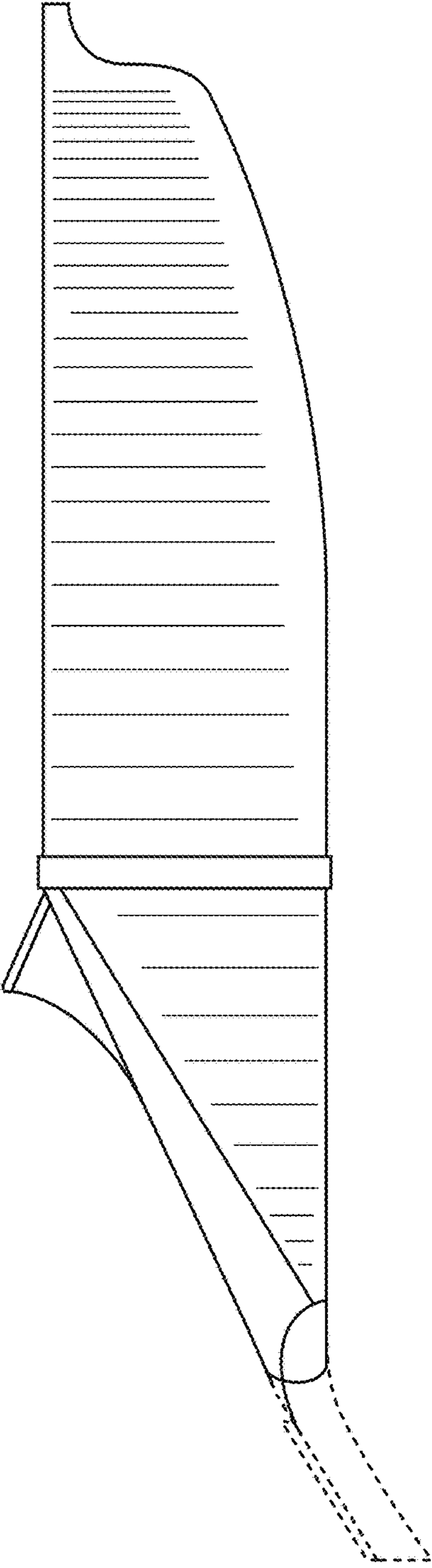


Fig. 2

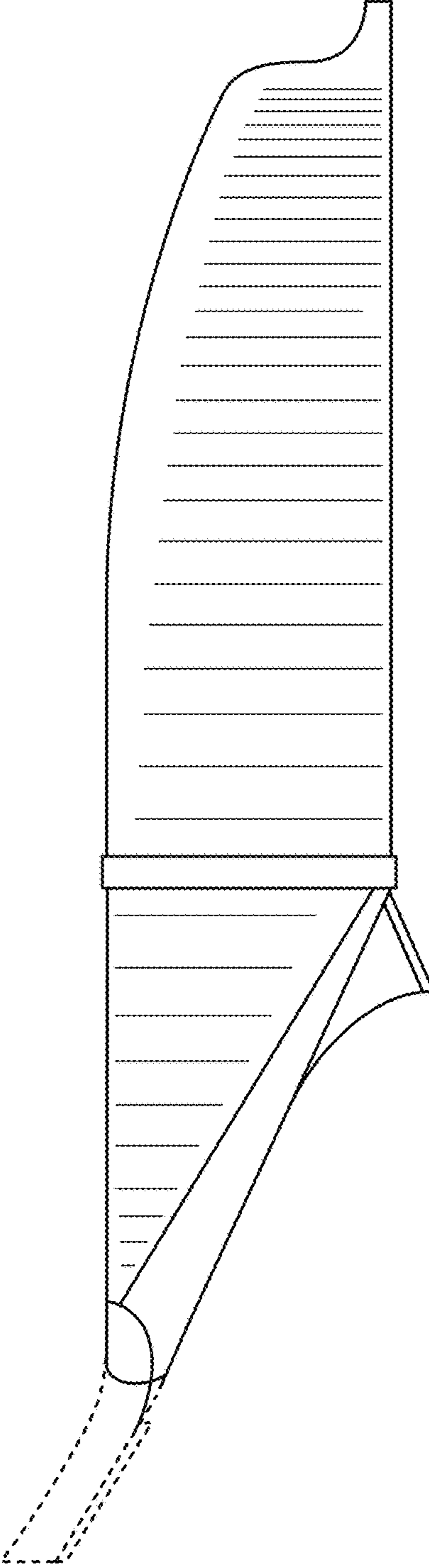


Fig. 3

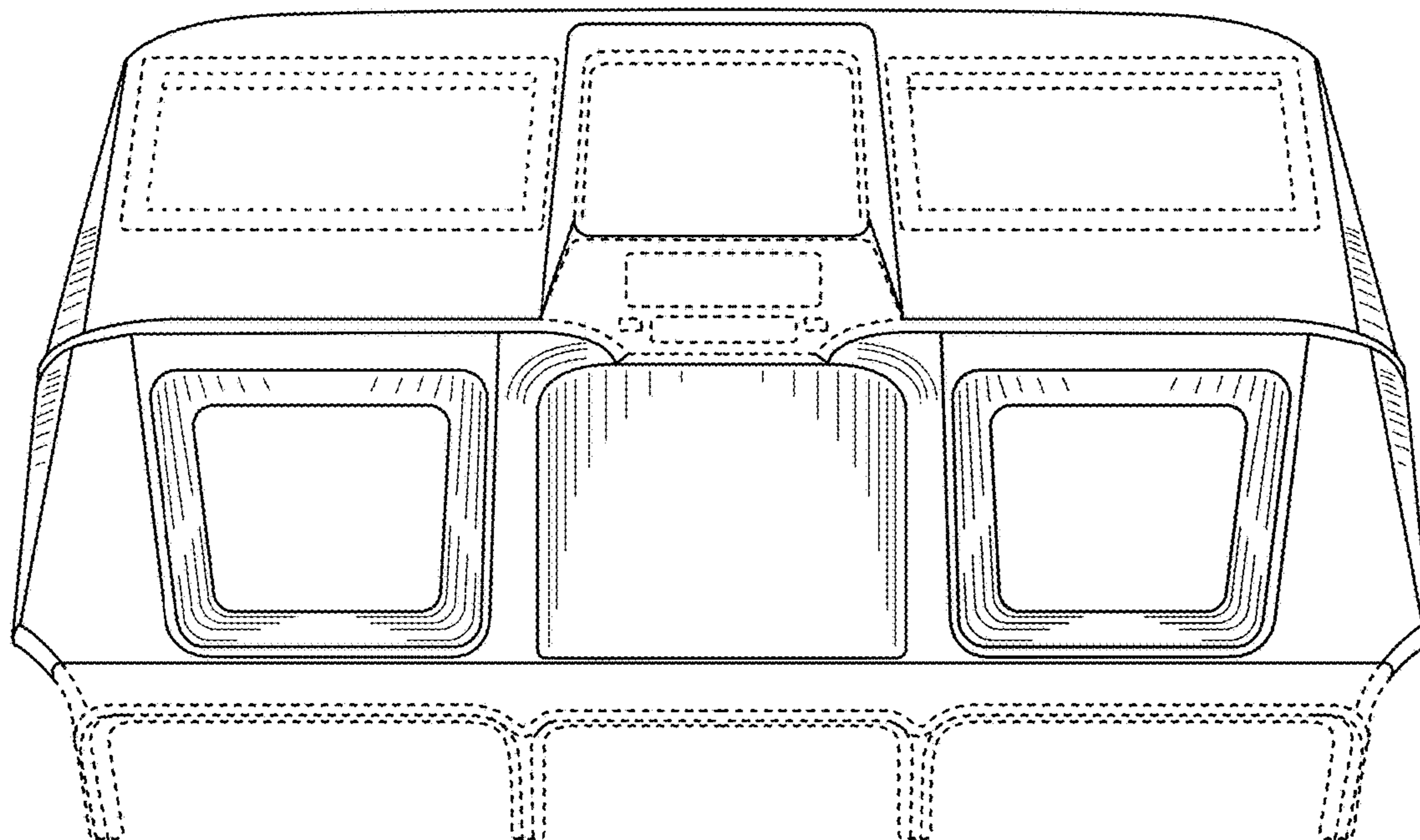


Fig. 4

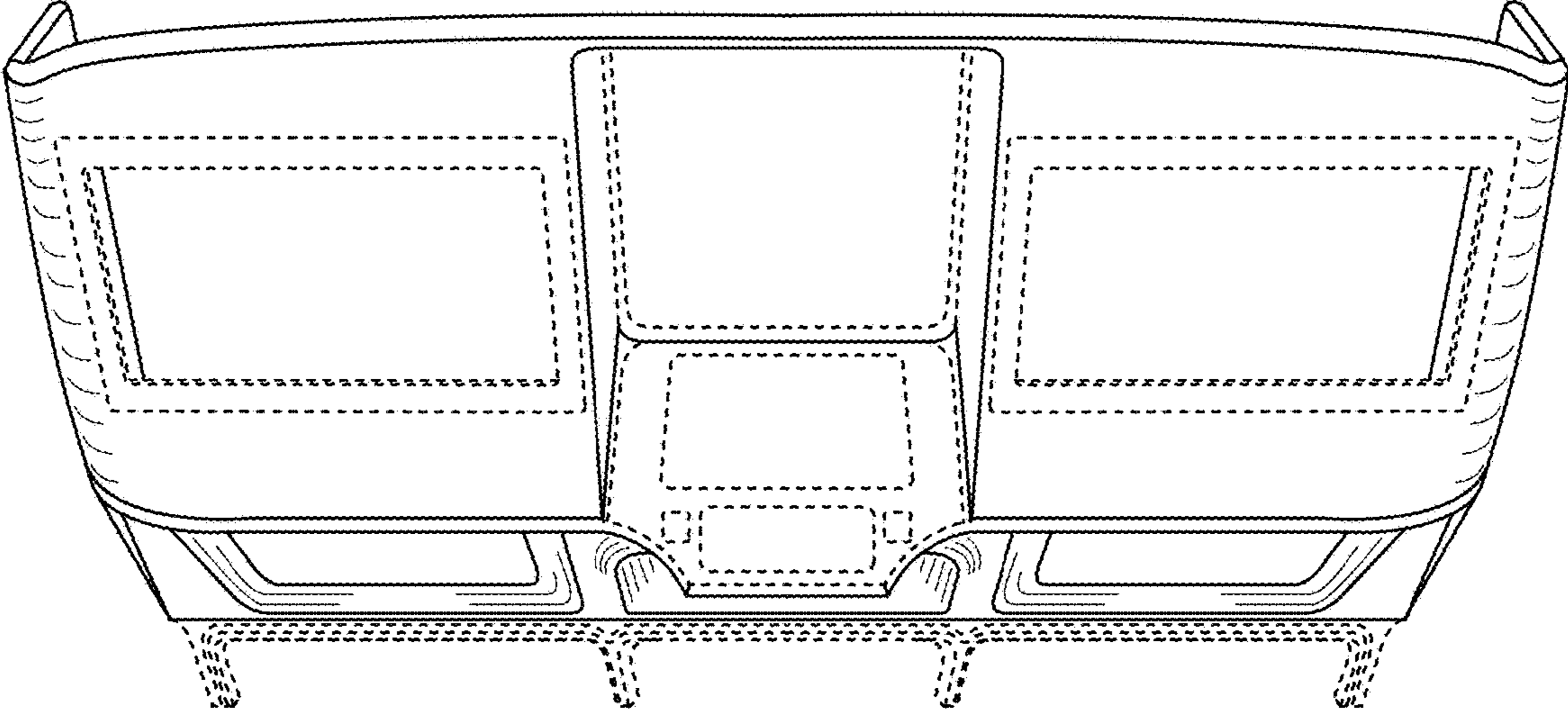


Fig. 5

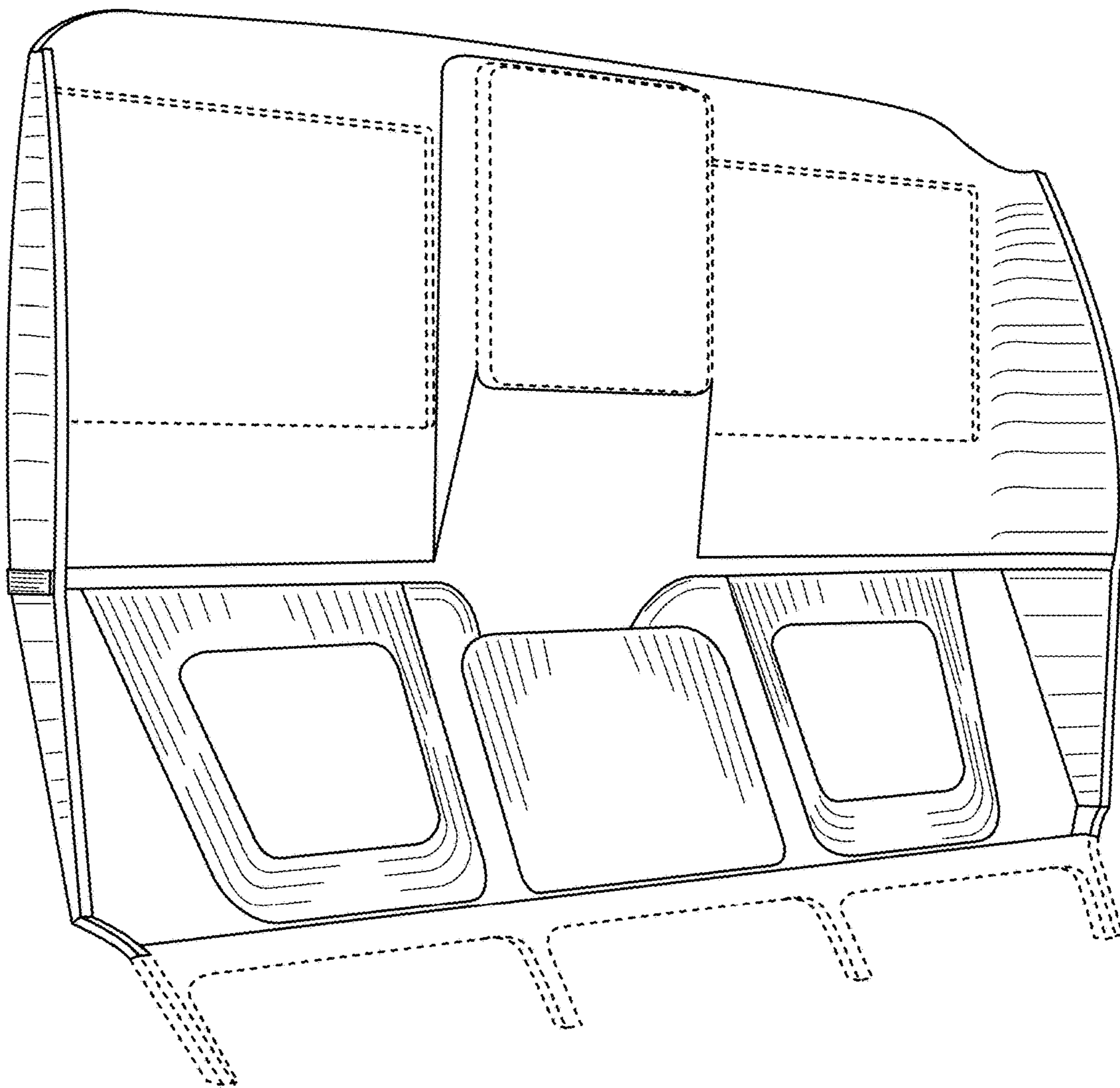


Fig. 6

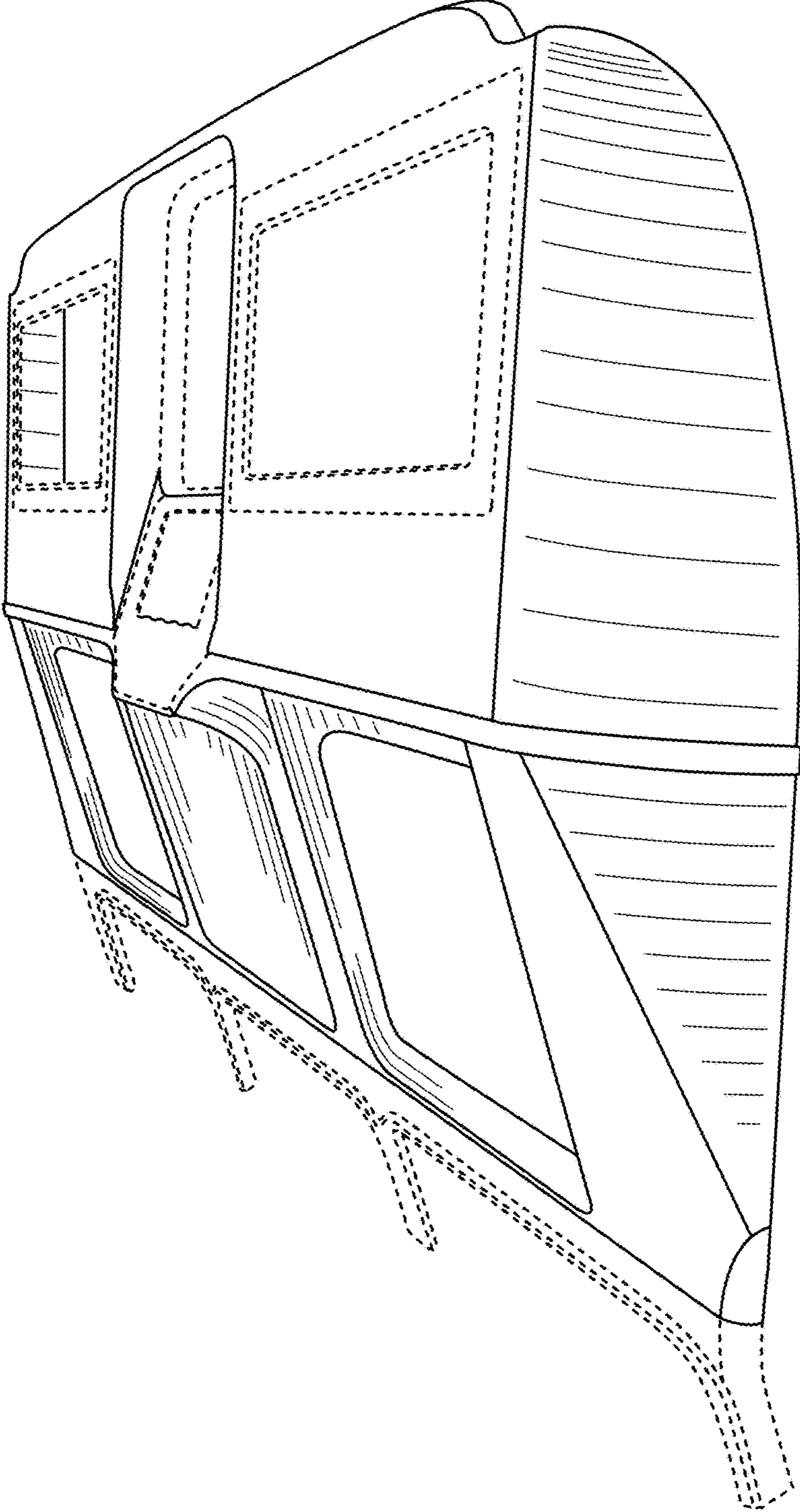


Fig. 7