



US00D818919S

(12) **United States Design Patent** (10) **Patent No.:** **US D818,919 S**
Spencer et al. (45) **Date of Patent:** **** May 29, 2018**

(54) **LICENSE PLATE FRAME**
(71) Applicant: **Cruiser Accessories, LLC**, Monument, CO (US)
(72) Inventors: **Todd R. Spencer**, Monument, CO (US); **Michael J. Schwartz**, Colorado Springs, CO (US)
(73) Assignee: **Cruiser Accessories, LLC**, Monument, CO (US)

D692,815 S * 11/2013 Chung D12/193
D700,553 S * 3/2014 Spencer D12/193
D712,326 S * 9/2014 Spencer D12/193
D726,613 S * 4/2015 Spencer D12/193
D739,800 S * 9/2015 Spencer D12/193

* cited by examiner

Primary Examiner — George D. Kirschbaum
Assistant Examiner — Natasha Vujcic
(74) *Attorney, Agent, or Firm* — Linda Flewellen Gould

(**) Term: **15 Years**

(57) **CLAIM**

The ornamental design for a license plate frame, as shown and described.

(21) Appl. No.: **29/599,768**

DESCRIPTION

(22) Filed: **Apr. 6, 2017**

(51) **LOC (11) Cl.** **12-16**

(52) **U.S. Cl.**
USPC **D12/193**

(58) **Field of Classification Search**
USPC D12/193; D6/300, 301, 302, 310, 311, D6/312, 313, 314; D20/13
CPC B60R 13/10; B60R 13/105; B60R 19/24; B60R 19/52
See application file for complete search history.

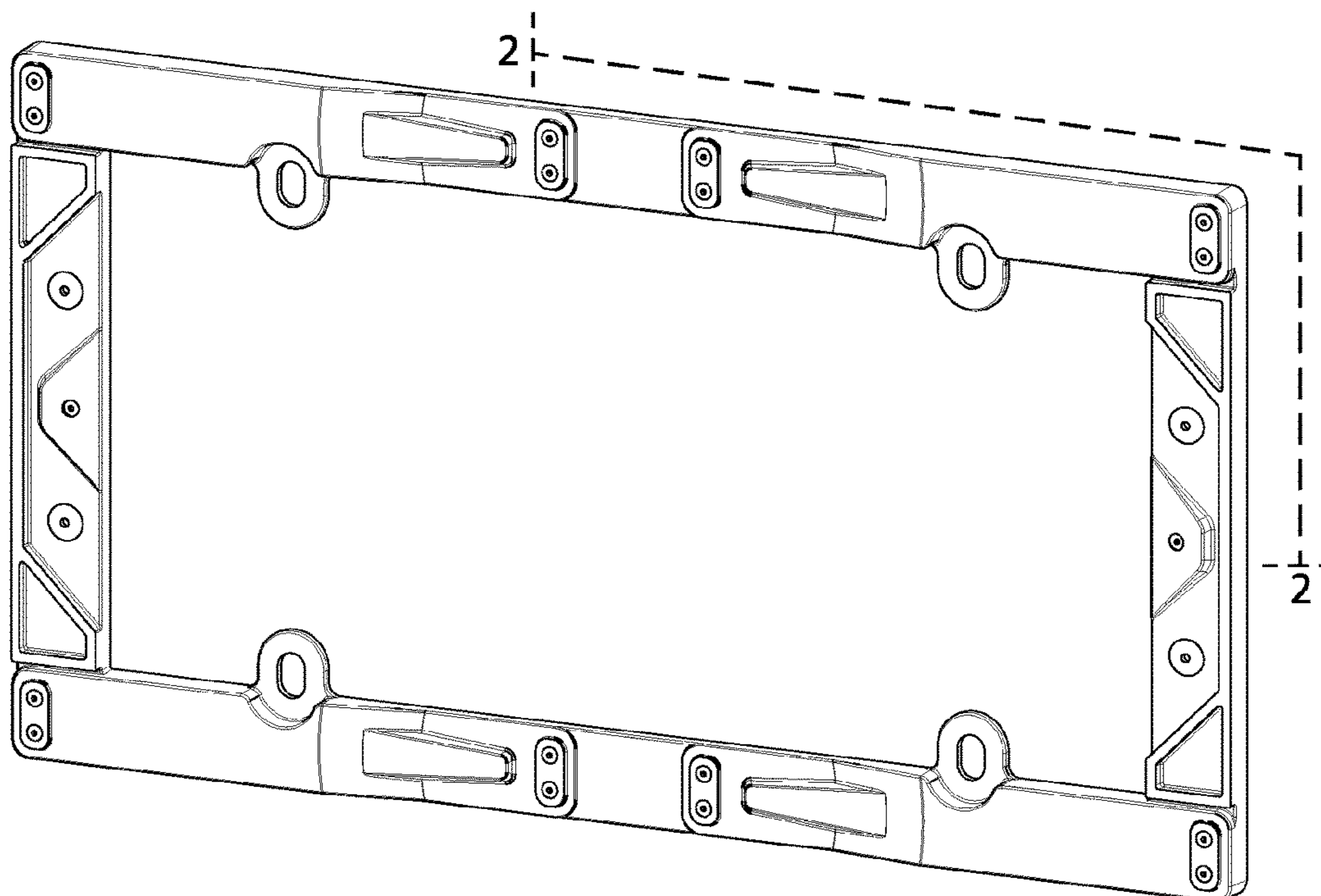
FIG. 1 is a front perspective view showing our new design for a license plate frame.
FIG. 2 is an enlarged view of the highlighted 2-2 portion of the license plate frame shown in FIG. 1;
FIG. 3 is a front view of the license plate frame of the present invention.
FIG. 4 is a back view of the license plate frame of the present invention.
FIG. 5 is a top view of the license plate frame of the present invention.
FIG. 6 is a bottom view of the license plate frame of the present invention; and,
FIG. 7 is a right side view of the license plate frame of the present invention, the left side view being the mirror image thereof.

(56) **References Cited**

U.S. PATENT DOCUMENTS

D566,025 S * 4/2008 Hu D12/193
D578,049 S * 10/2008 Son D12/193
D596,545 S * 7/2009 Son D12/193
D644,973 S * 9/2011 Miyawaki D12/193

1 Claim, 3 Drawing Sheets



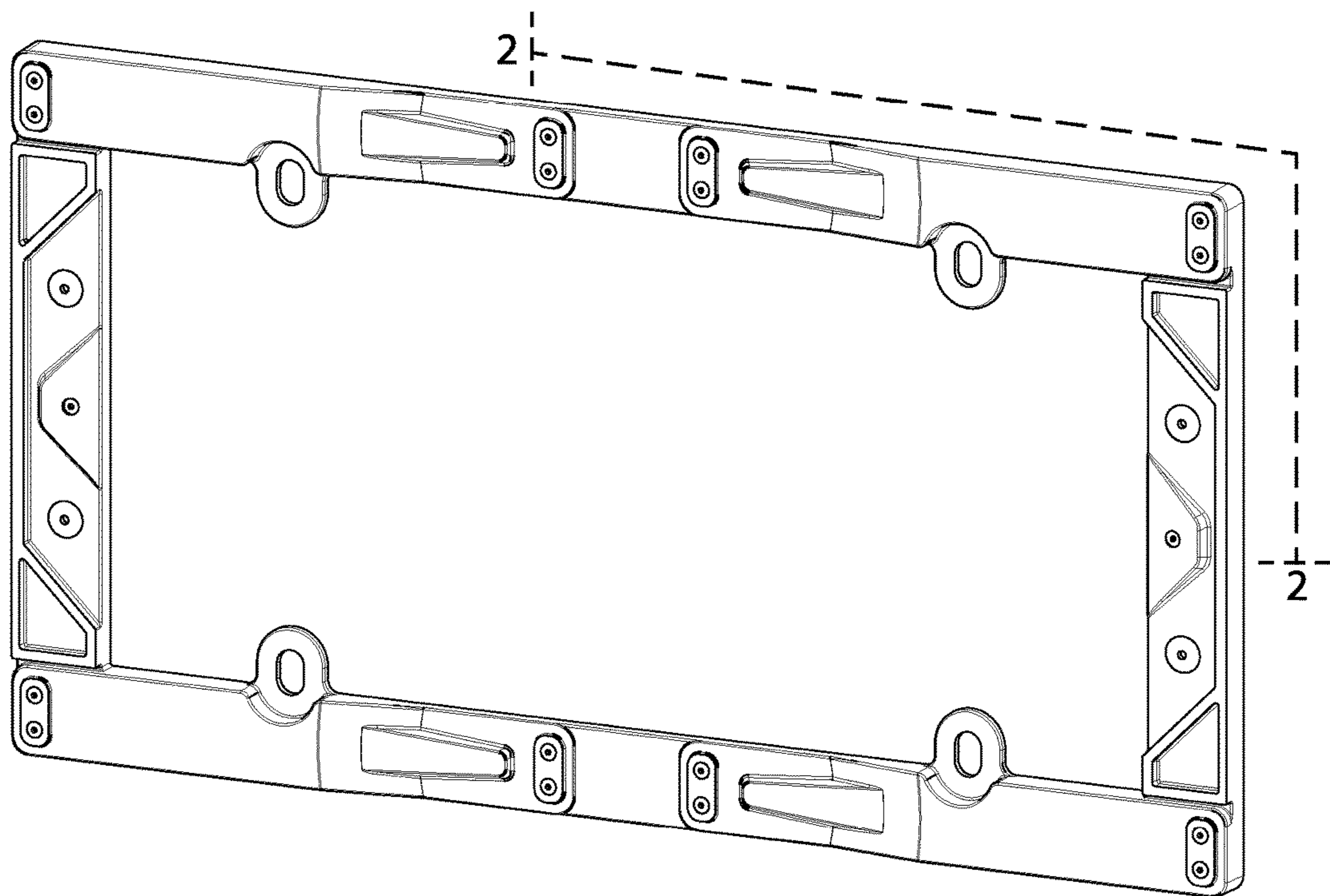


Figure 1

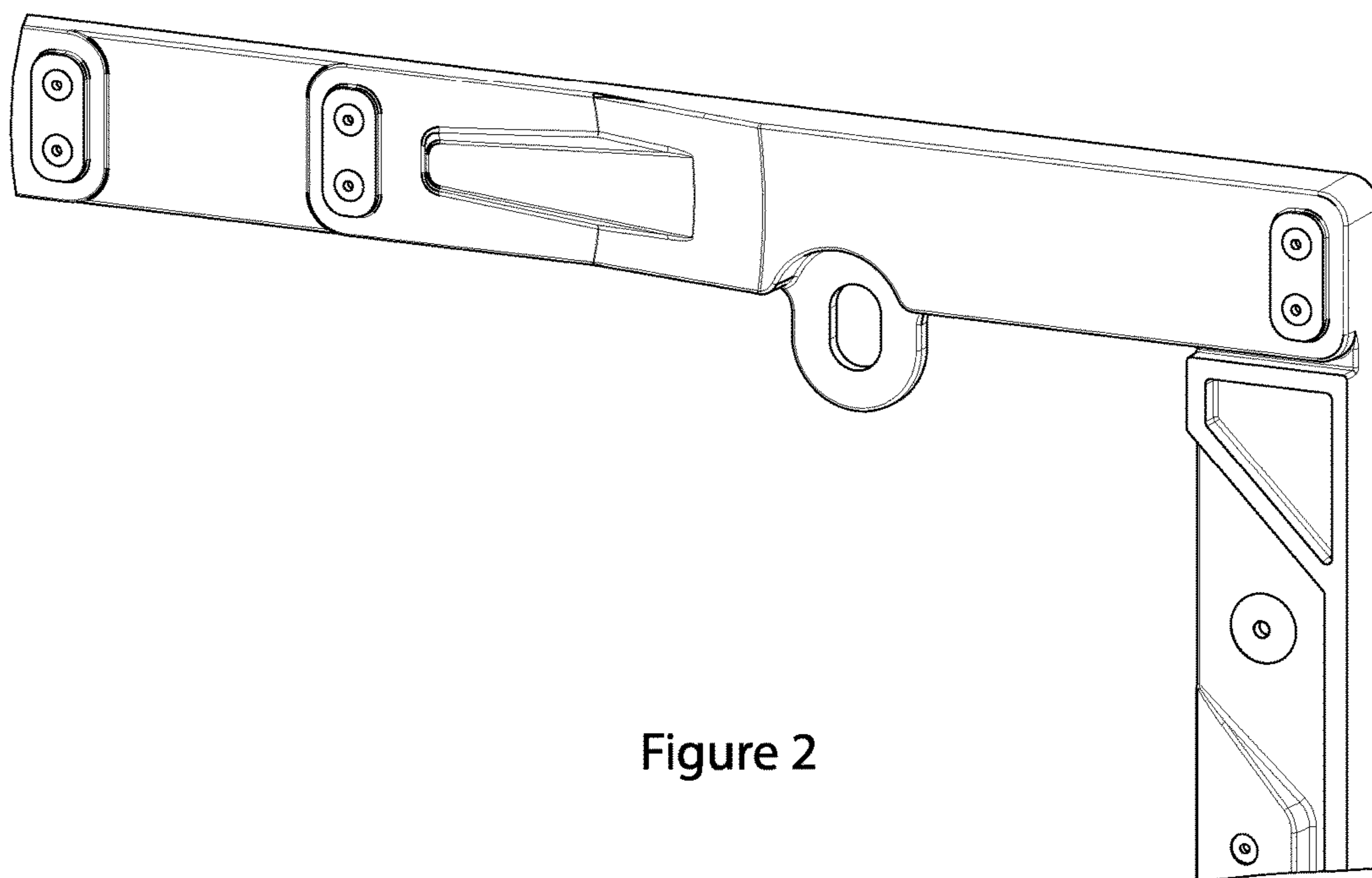


Figure 2

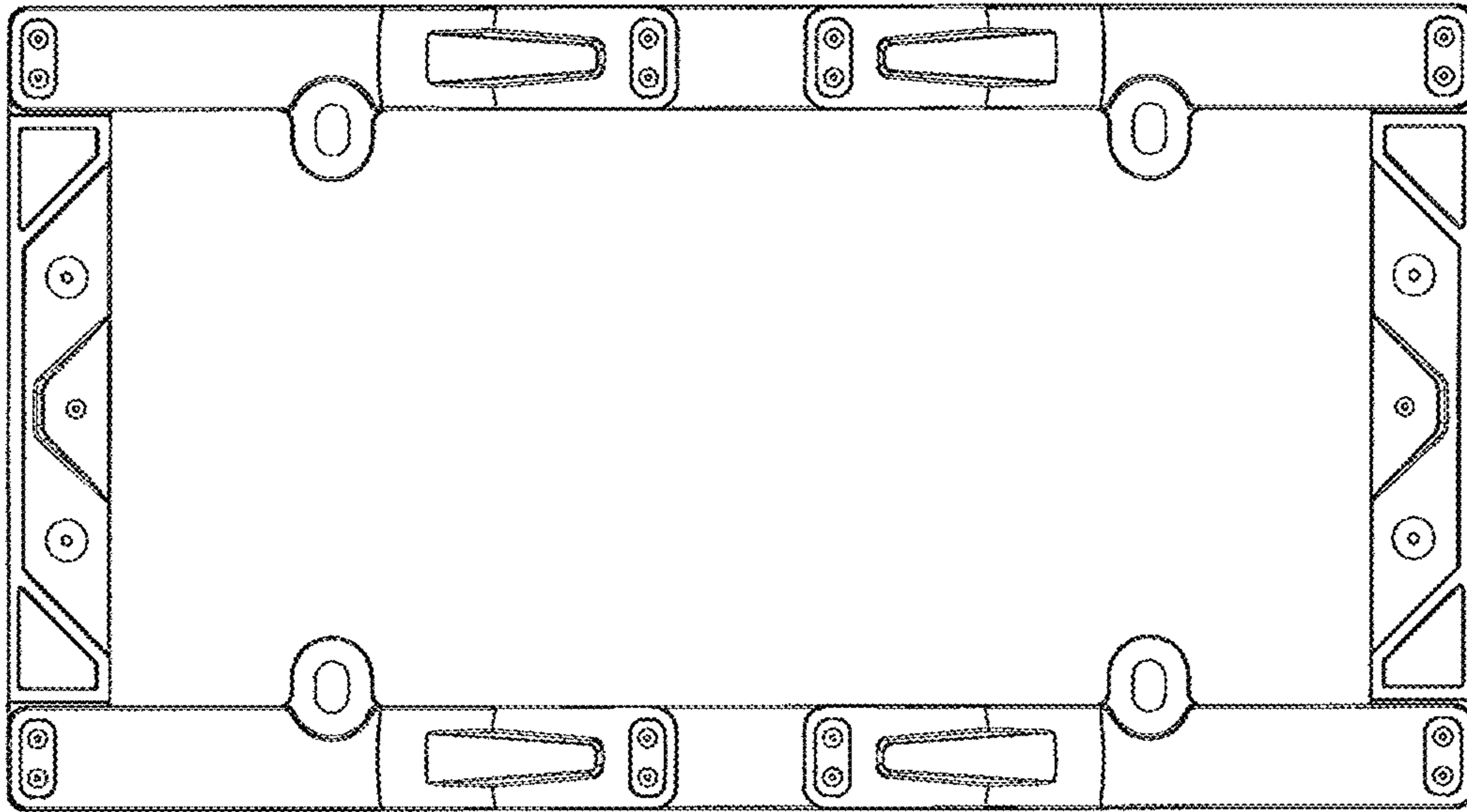


Figure 3

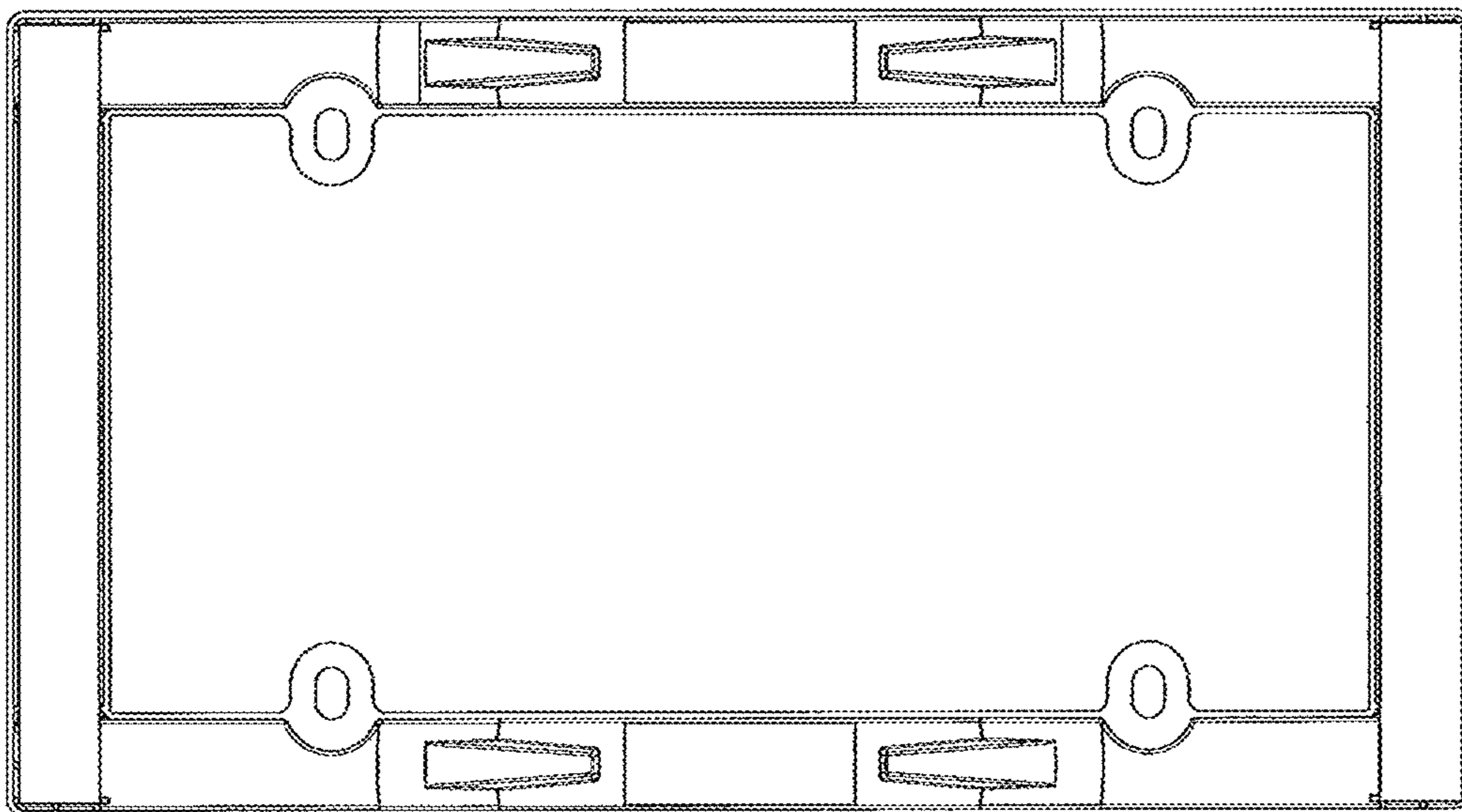


Figure 4

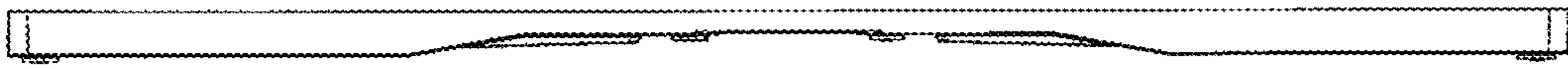


Figure 5

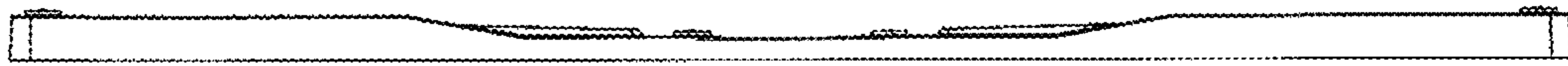


Figure 6



Figure 7