



US00D818918S

(12) **United States Design Patent** (10) **Patent No.:** **US D818,918 S**  
**Spencer et al.** (45) **Date of Patent:** **\*\* May 29, 2018**

- (54) **LICENSE PLATE FRAME**
- (71) Applicant: **Cruiser Accessories, LLC**, Monument, CO (US)
- (72) Inventors: **Todd R. Spencer**, Monument, CO (US); **Robert Kraft**, Monument, CO (US)
- (73) Assignee: **Cruiser Accessories, LLC**, Monument, CO (US)
- (\*\*) Term: **15 Years**
- (21) Appl. No.: **29/596,422**
- (22) Filed: **Mar. 8, 2017**
- (51) **LOC (11) Cl.** ..... **12-16**
- (52) **U.S. Cl.**  
USPC ..... **D12/193**
- (58) **Field of Classification Search**  
USPC ..... D12/193; D6/300, 301, 302, 310, 311, D6/312, 313, 314; D20/13  
CPC ..... B60R 13/10; B60R 13/105; B60R 19/24; B60R 19/52  
See application file for complete search history.

D727,818 S \* 4/2015 Spencer ..... D12/193  
 D780,651 S \* 3/2017 Spencer ..... D12/193  
 2011/0283574 A1\* 11/2011 Ellman ..... B60R 13/10  
 40/209

\* cited by examiner

*Primary Examiner* — George D. Kirschbaum  
*Assistant Examiner* — Natasha Vujcic  
 (74) *Attorney, Agent, or Firm* — Linda Flewellen Gould

(57) **CLAIM**

The ornamental design for a license plate frame, as shown and described.

**DESCRIPTION**

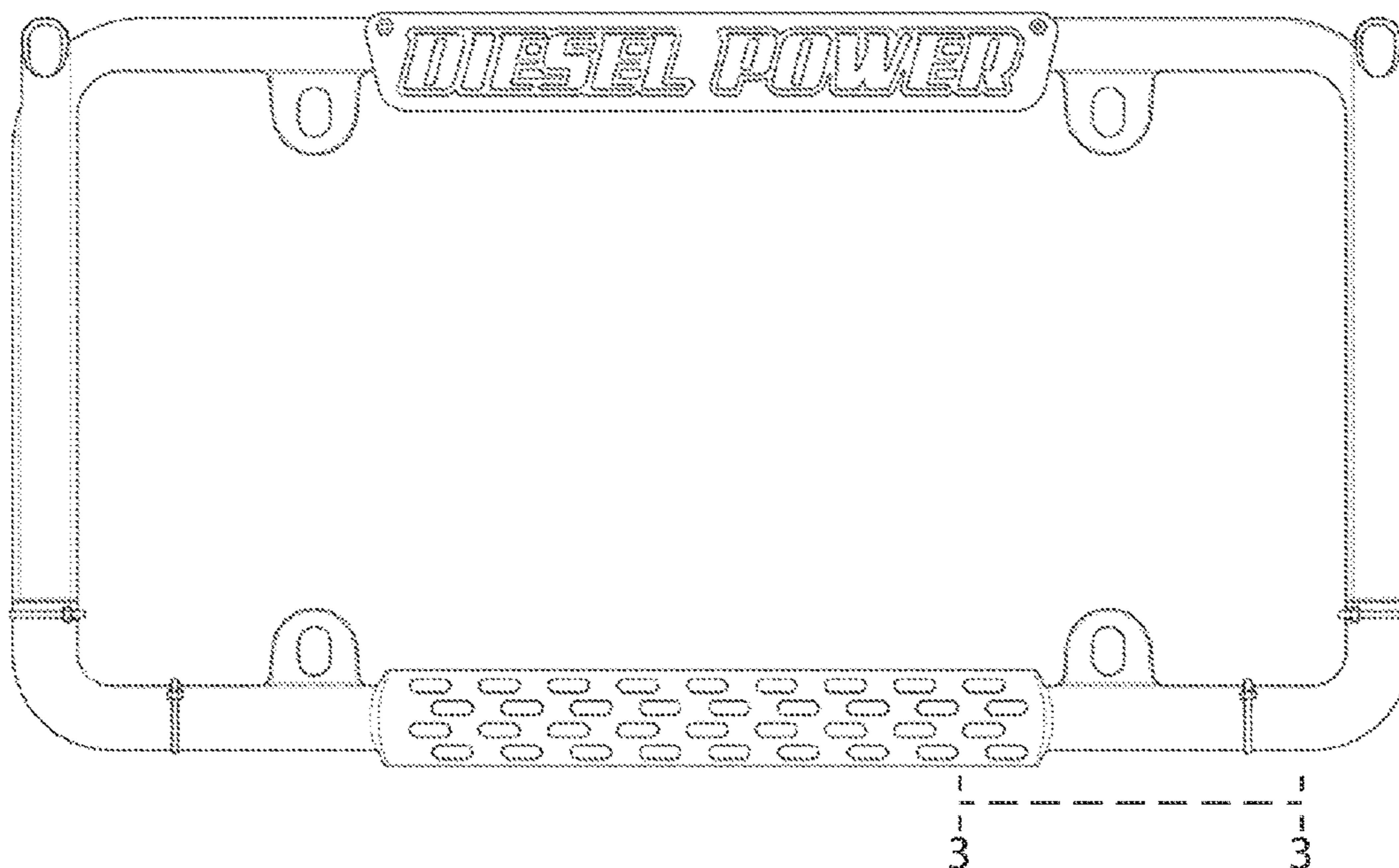
FIG. 1 is a front view showing our new design for a license plate frame.  
 FIG. 2 is a right side view of the license plate frame of the present invention.  
 FIG. 3 is an enlarged view of the highlighted 3-3 portion of the license plate frame shown in FIG. 1;  
 FIG. 4 is a bottom view of the license plate frame of the present invention.  
 FIG. 5 is a back view of the license plate frame of the present invention.  
 FIG. 6 is a left side view of the license plate frame of the present invention.  
 FIG. 7 is a top view of the license plate frame of the present invention.  
 FIG. 8 is a perspective front view of the license plate frame of the present invention; and,  
 FIG. 9 is a perspective, exploded front view of the license plate frame of the present invention.

**1 Claim, 3 Drawing Sheets**

(56) **References Cited**

U.S. PATENT DOCUMENTS

- D382,241 S \* 8/1997 Moureaux ..... D12/193
- 6,962,013 B1 \* 11/2005 Perrin ..... B60R 13/105  
40/209
- D591,660 S \* 5/2009 Kazaryan ..... D12/193
- D715,202 S \* 10/2014 Spencer ..... D12/193
- D726,613 S \* 4/2015 Spencer ..... D12/193



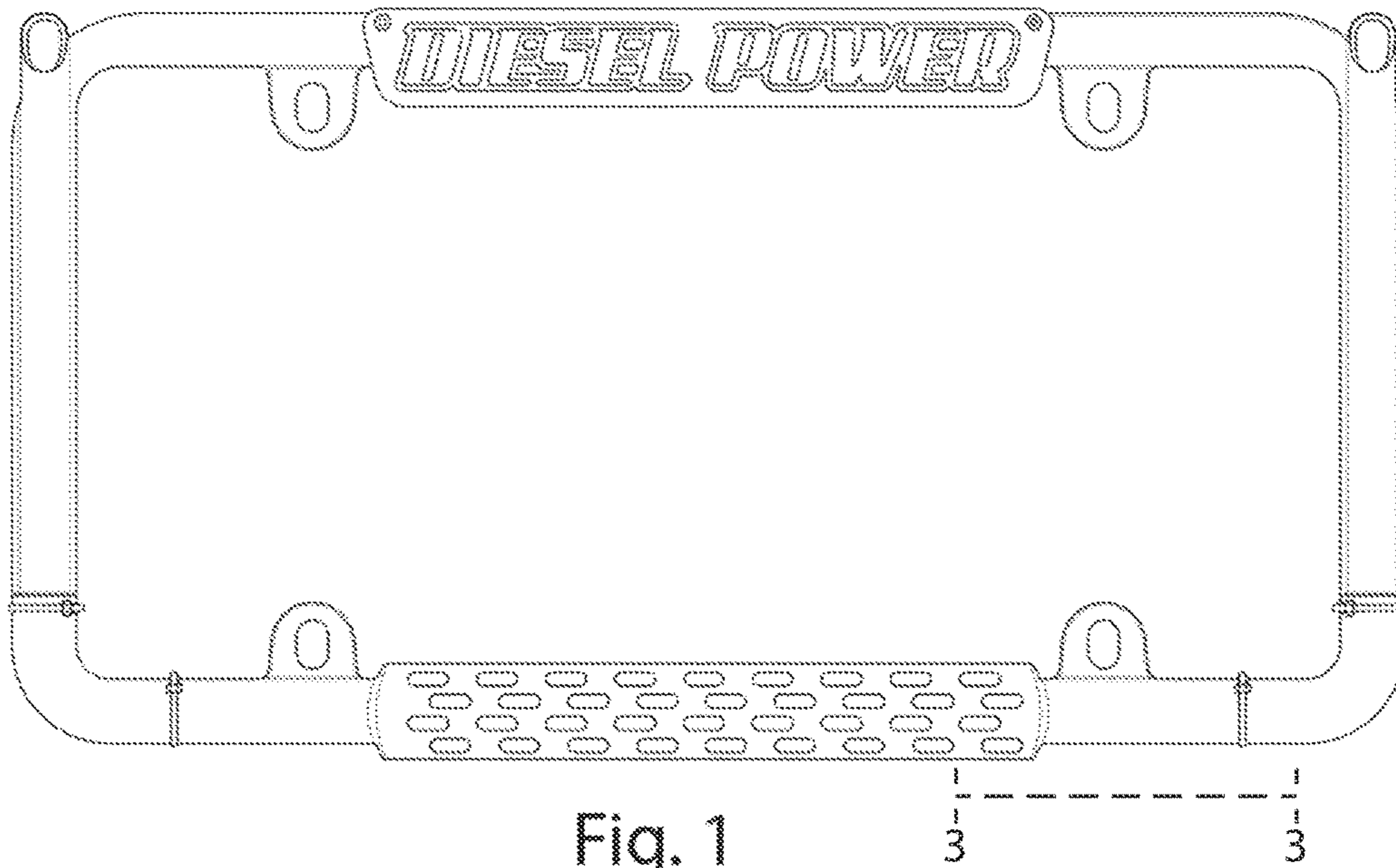


Fig. 1

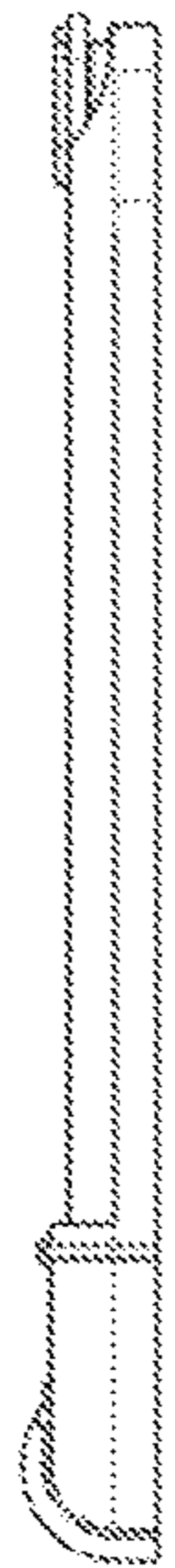


Fig. 2

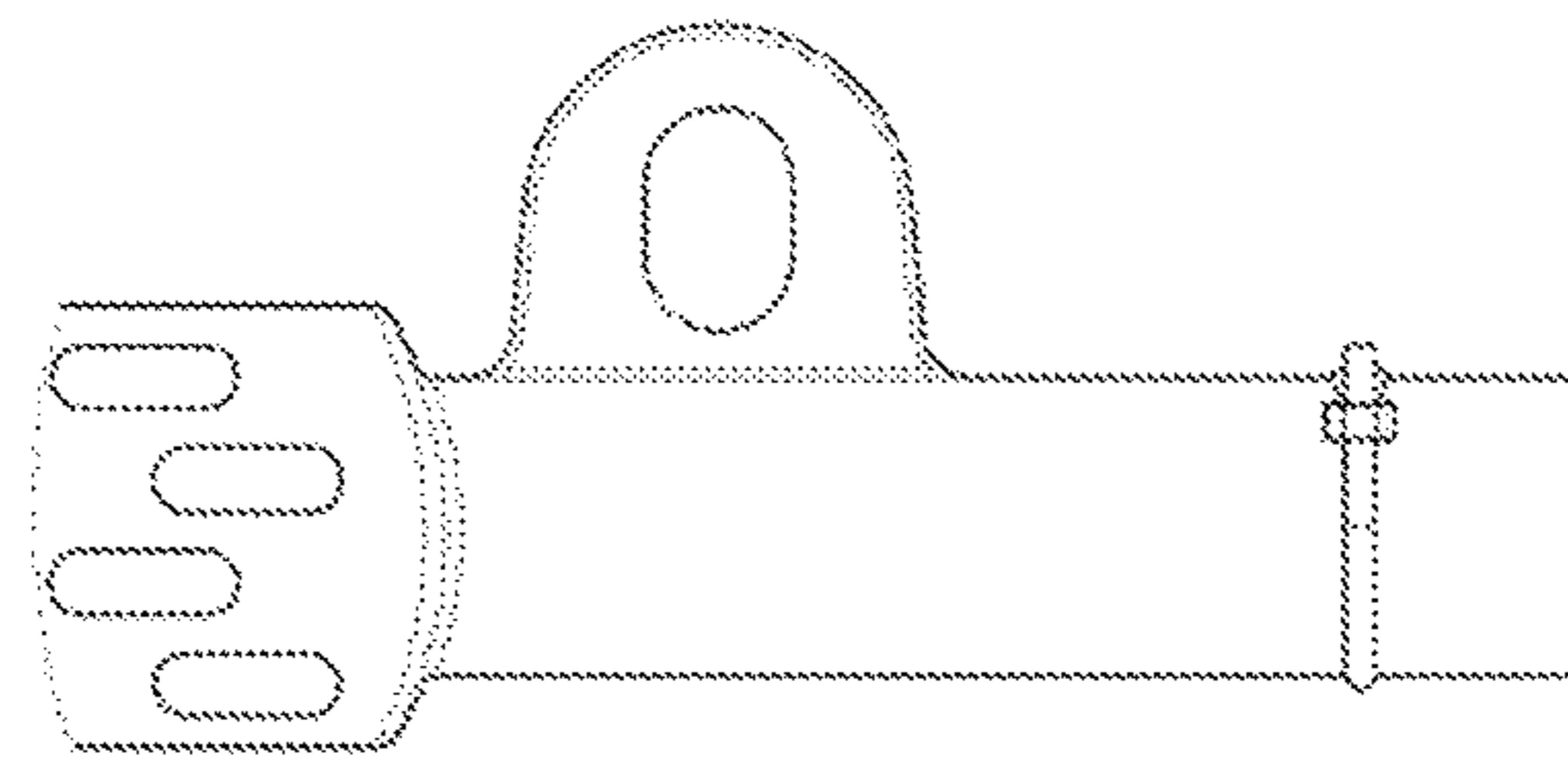


Fig. 3

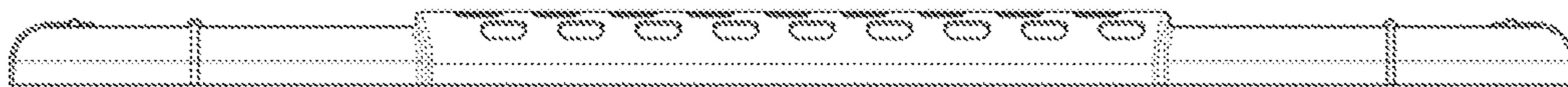


Fig. 4

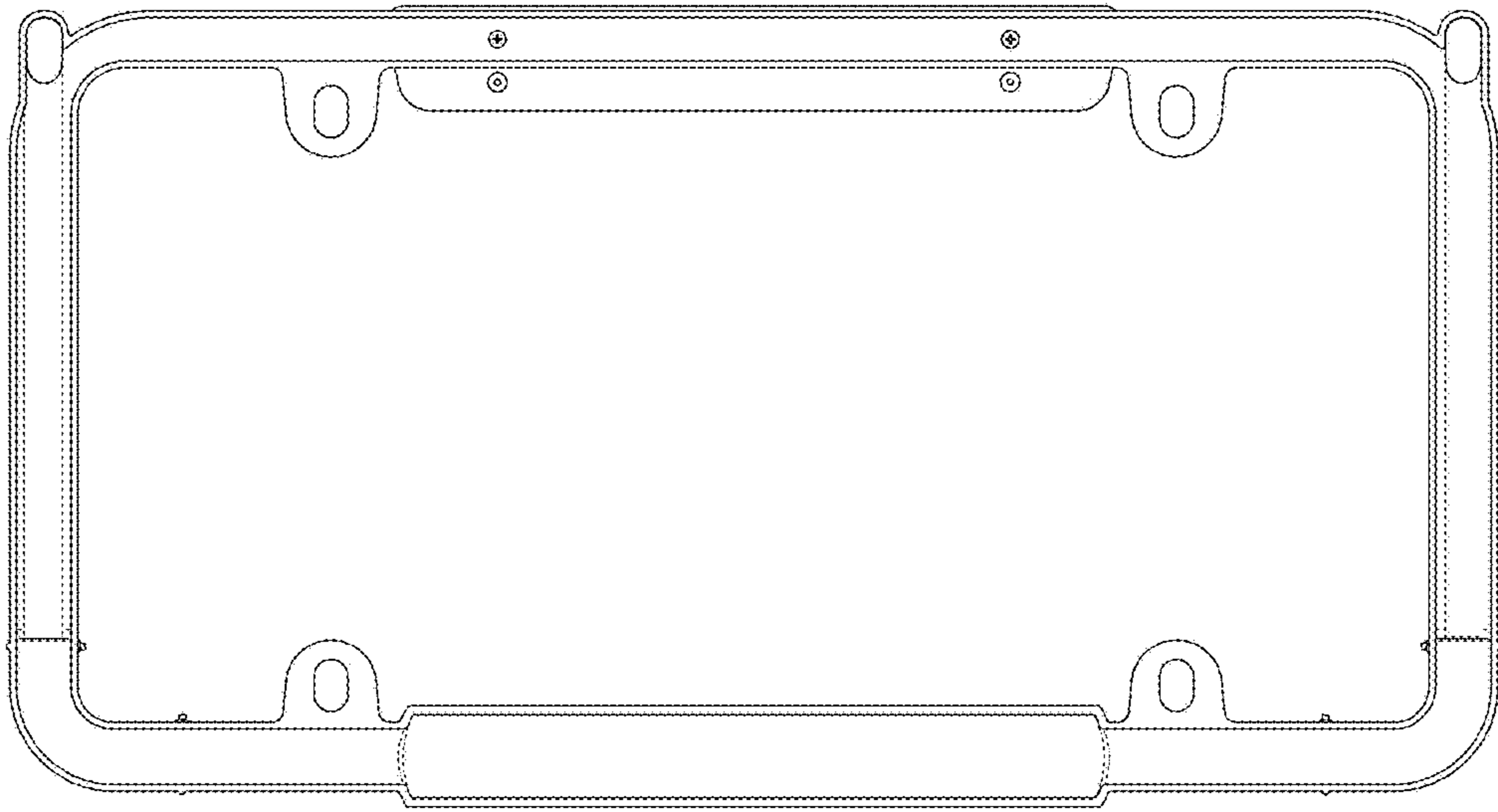


Fig. 5

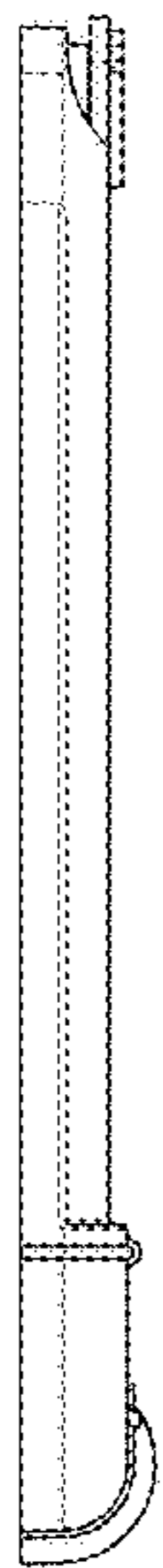


Fig. 6

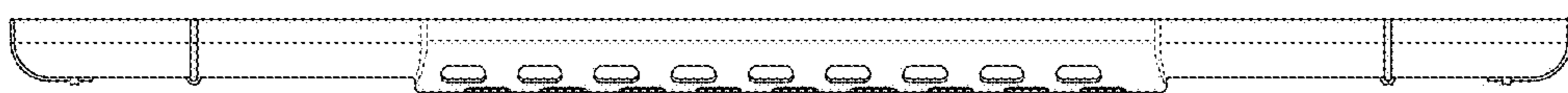


Fig. 7

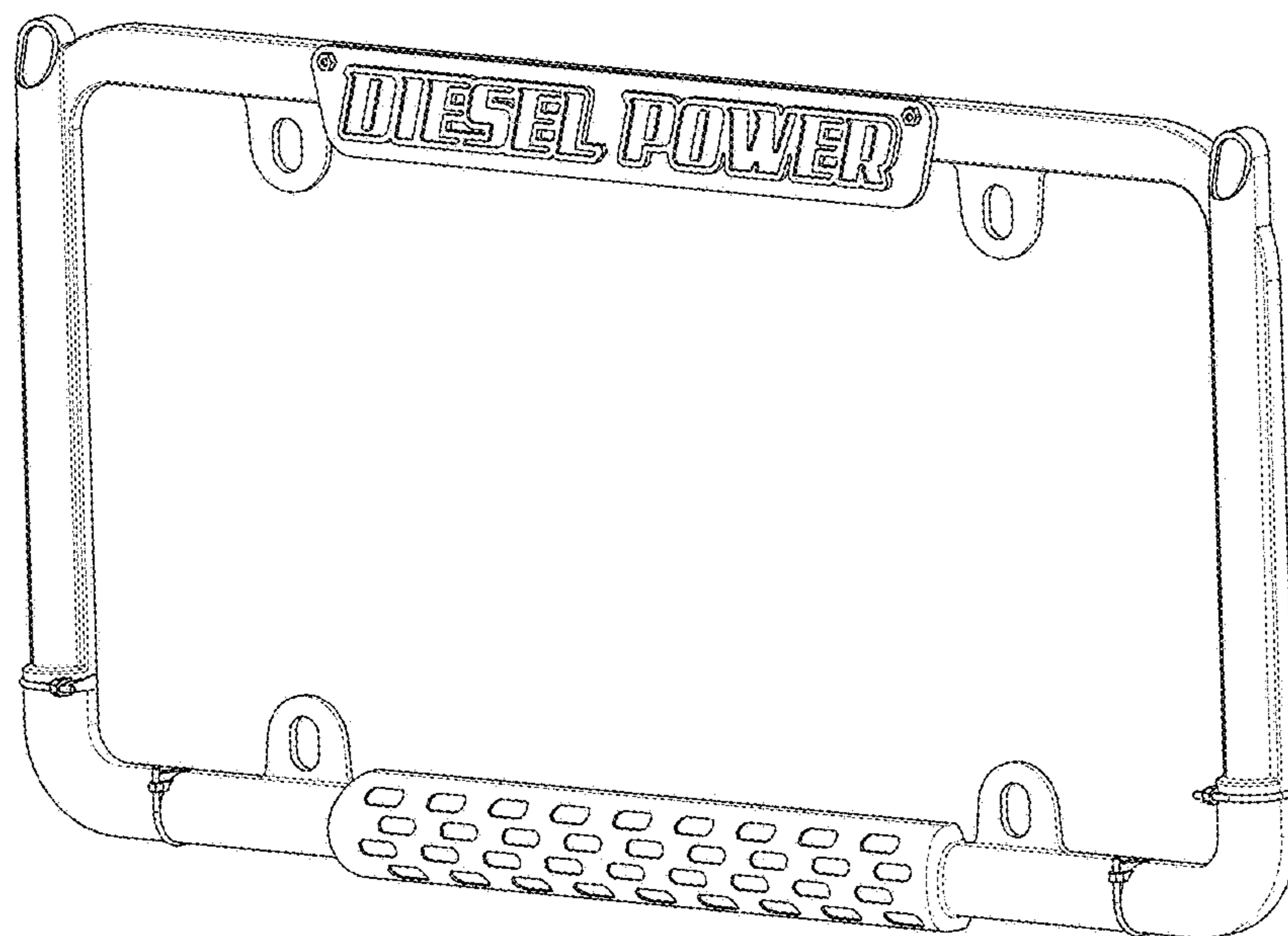


Fig. 8

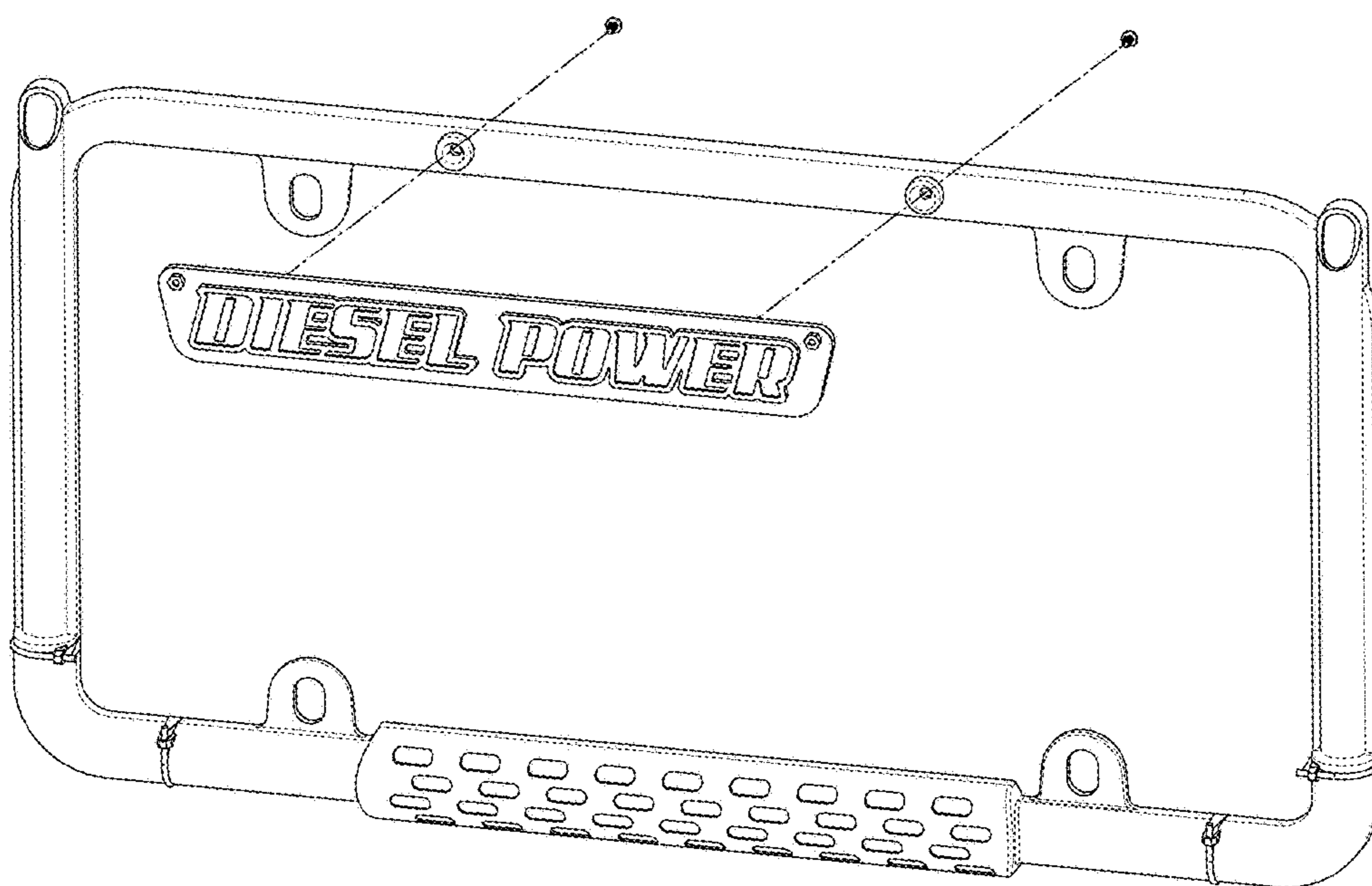


Fig. 9