



US00D818916S

(12) **United States Design Patent**  
**Anderson et al.**

(10) **Patent No.:** **US D818,916 S**  
(45) **Date of Patent:** **\*\* May 29, 2018**

- (54) **FLUID FILLER DOOR FOR VEHICLE**
- (71) Applicant: **Volvo Lastvagnar AB**, Göteborg (SE)
- (72) Inventors: **Ian Anderson**, Greensboro, NC (US);  
**Jeff Cotner**, Greensboro, NC (US)
- (73) Assignee: **VOLVO LASTVAGNAR AB**,  
Göteborg (SE)
- (\*\*) Term: **15 Years**
- (21) Appl. No.: **29/600,060**
- (22) Filed: **Apr. 10, 2017**
- (51) **LOC (11) Cl.** ..... **12-16**
- (52) **U.S. Cl.**  
USPC ..... **D12/192**
- (58) **Field of Classification Search**  
USPC ..... D12/192, 415, 418, 419, 110, 114, 345;  
D15/17, 28; D10/46, 98, 102-103,  
D10/122-127  
CPC ..... G08G 1/096883; G01C 21/16; G01C  
21/3688; G01C 21/30  
See application file for complete search history.

- D715,205 S \* 10/2014 Conway ..... D12/195
- D743,311 S \* 11/2015 Weiner ..... D12/195
- D807,265 S \* 1/2018 McNutt ..... D12/190
- D811,970 S \* 3/2018 Lokers ..... D12/195
- D811,971 S \* 3/2018 Lokers ..... D12/195

**OTHER PUBLICATIONS**

Images of Volvo VNL Truck, released 2002, 2 pages, Jan. 2, 2002.

\* cited by examiner

*Primary Examiner* — Katrina A Betton

(74) *Attorney, Agent, or Firm* — Tucker Ellis LLP

(57) **CLAIM**

The ornamental design for a fluid filler door for vehicle, as shown and described.

**DESCRIPTION**

FIG. 1 is a perspective view of a fluid filler door for vehicle showing our new design.

FIG. 2 is a front view thereof.

FIG. 3 is a rear view thereof.

FIG. 4 is a left side view thereof.

FIG. 5 is a right side view thereof.

FIG. 6 is a top view thereof; and,

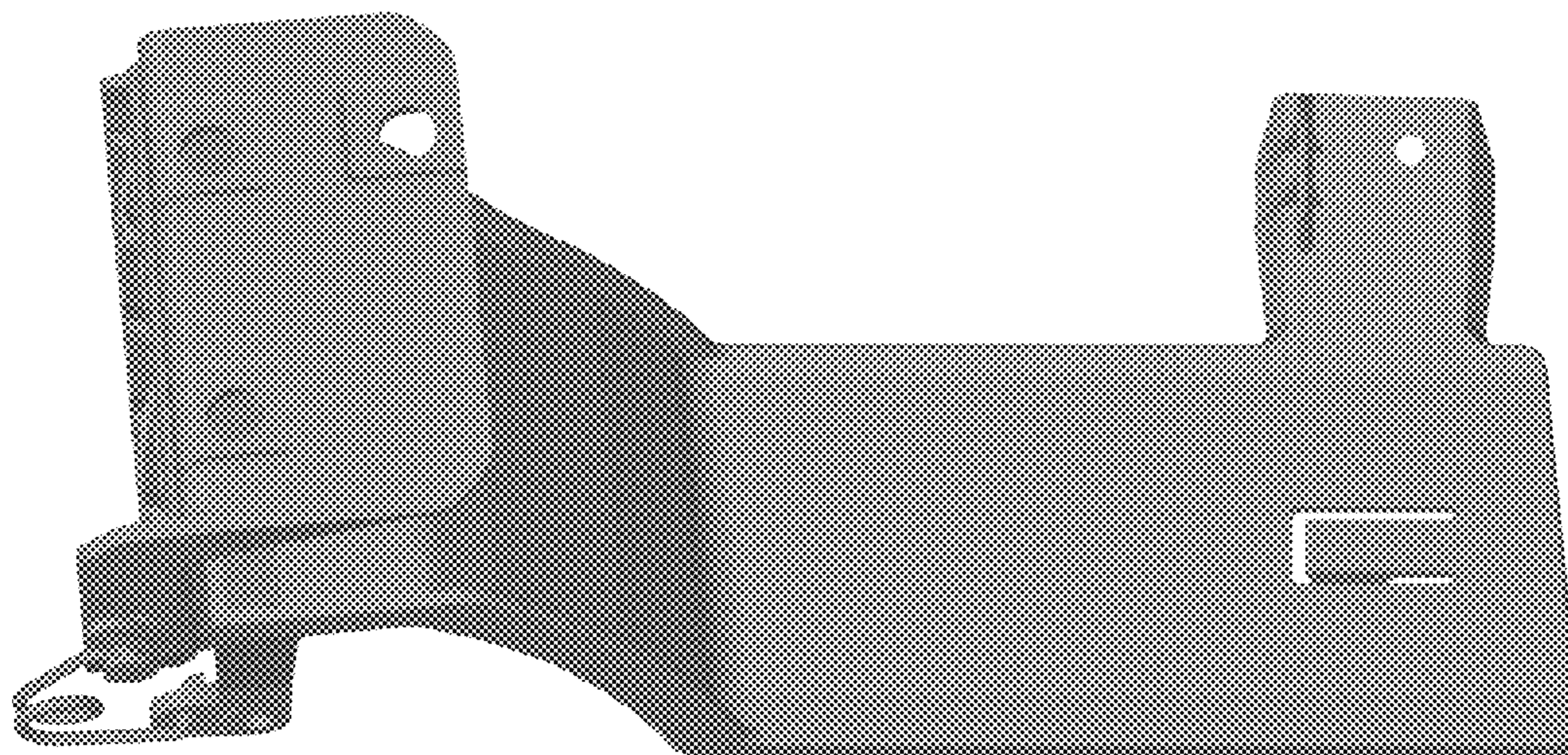
FIG. 7 is a bottom view thereof.

**1 Claim, 4 Drawing Sheets**

(56) **References Cited**

**U.S. PATENT DOCUMENTS**

- D687,360 S \* 8/2013 Gagnon ..... D12/195
- D714,699 S \* 10/2014 Conway ..... D12/195



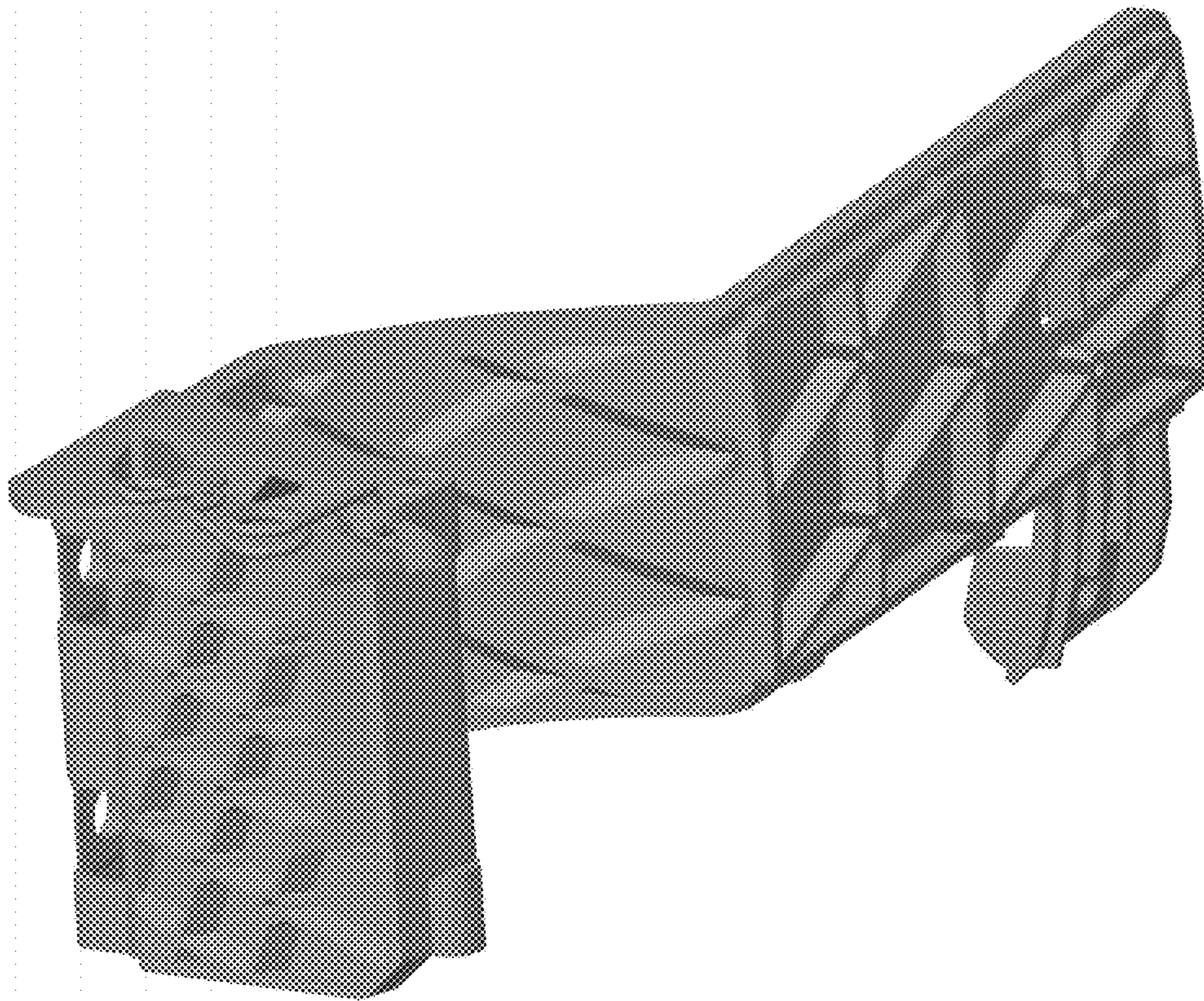


FIG. 1



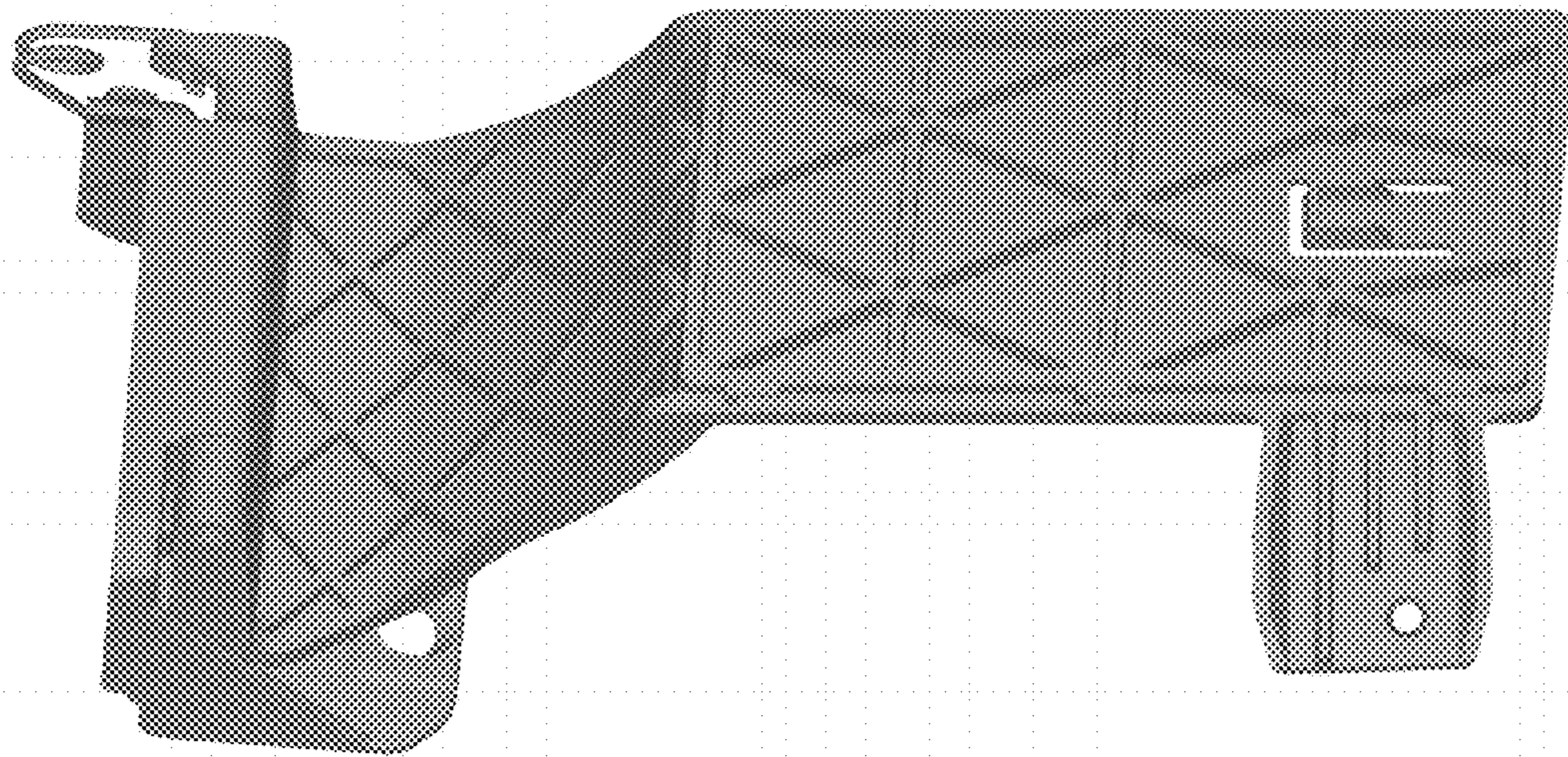


FIG. 2

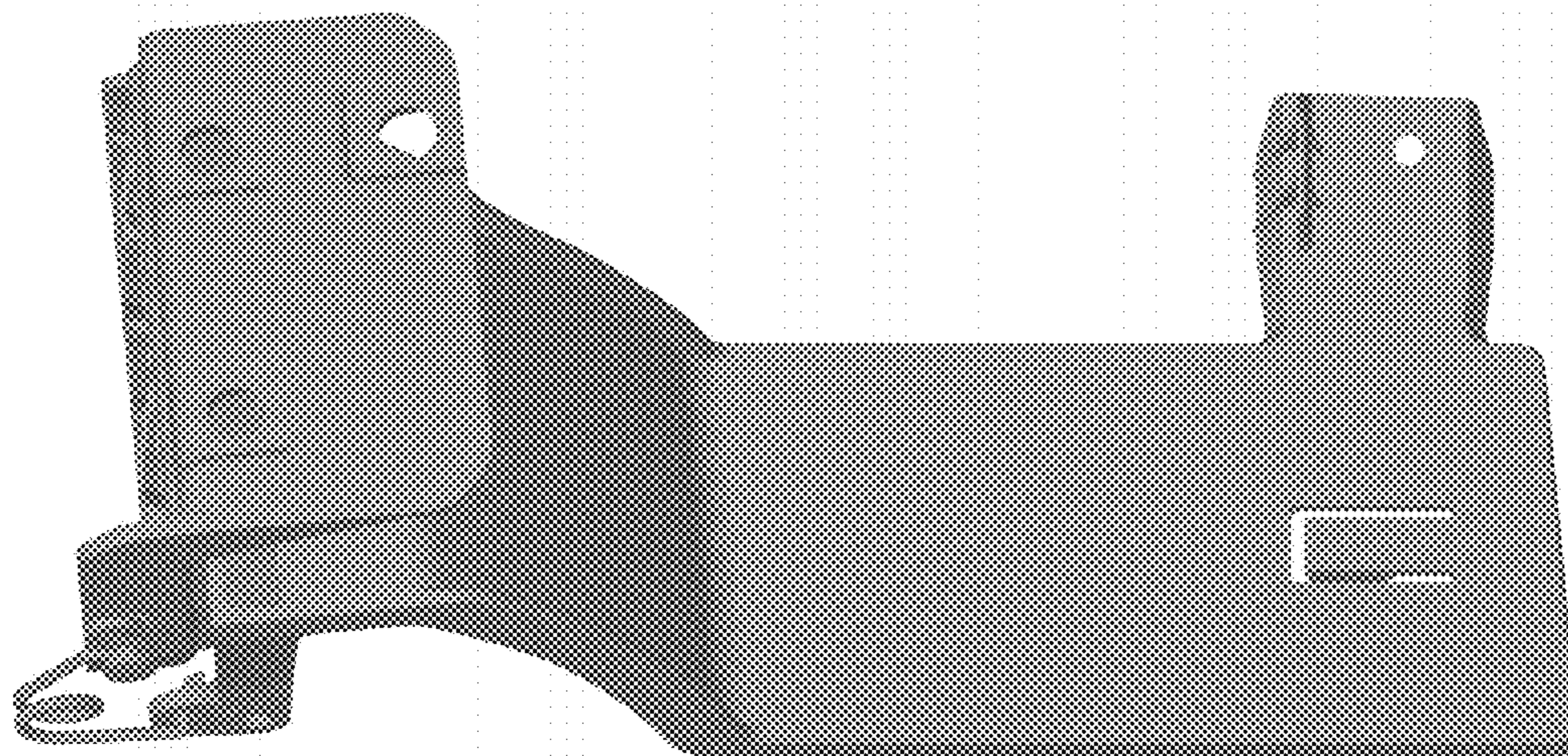


FIG. 3



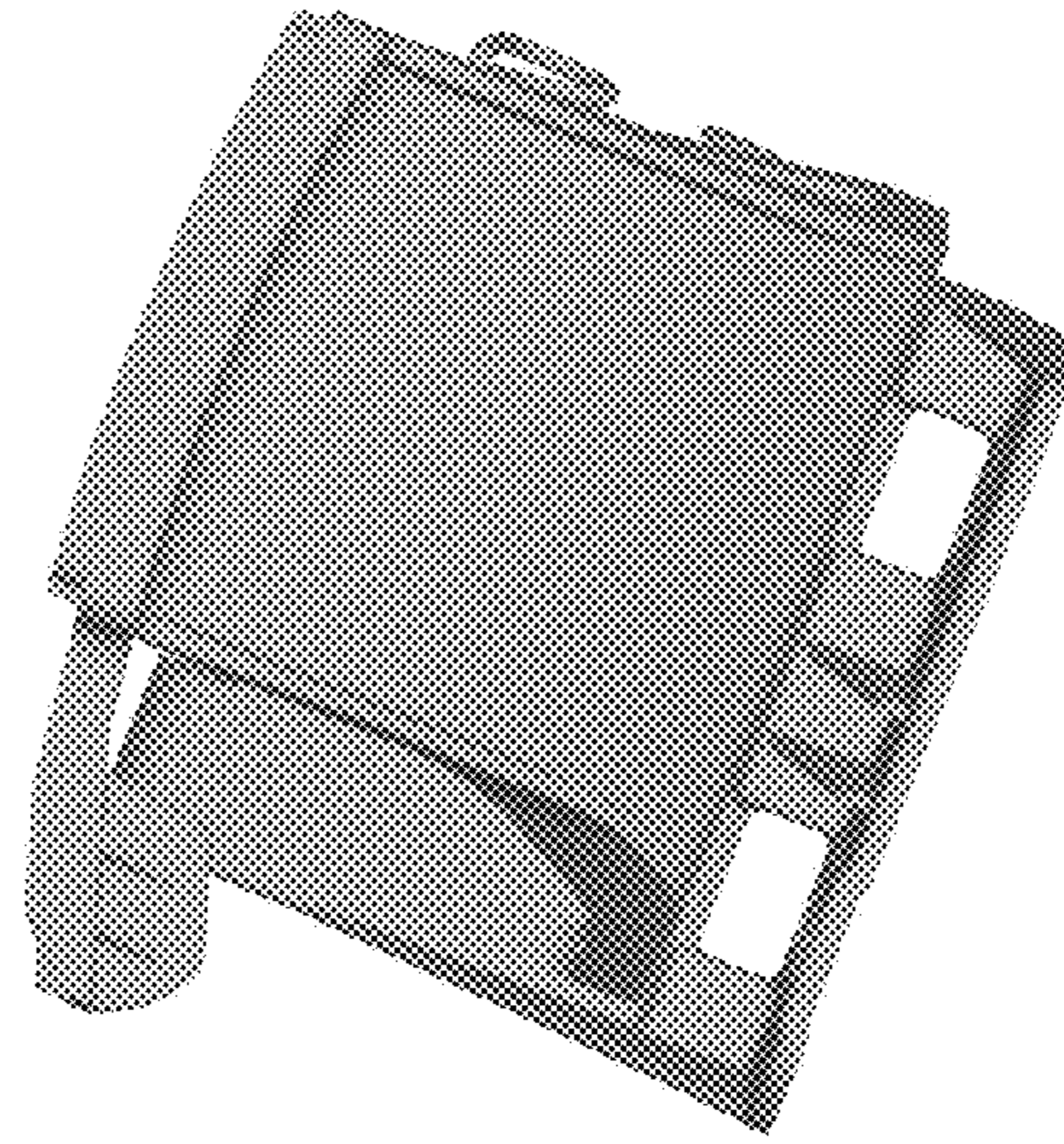


FIG. 4

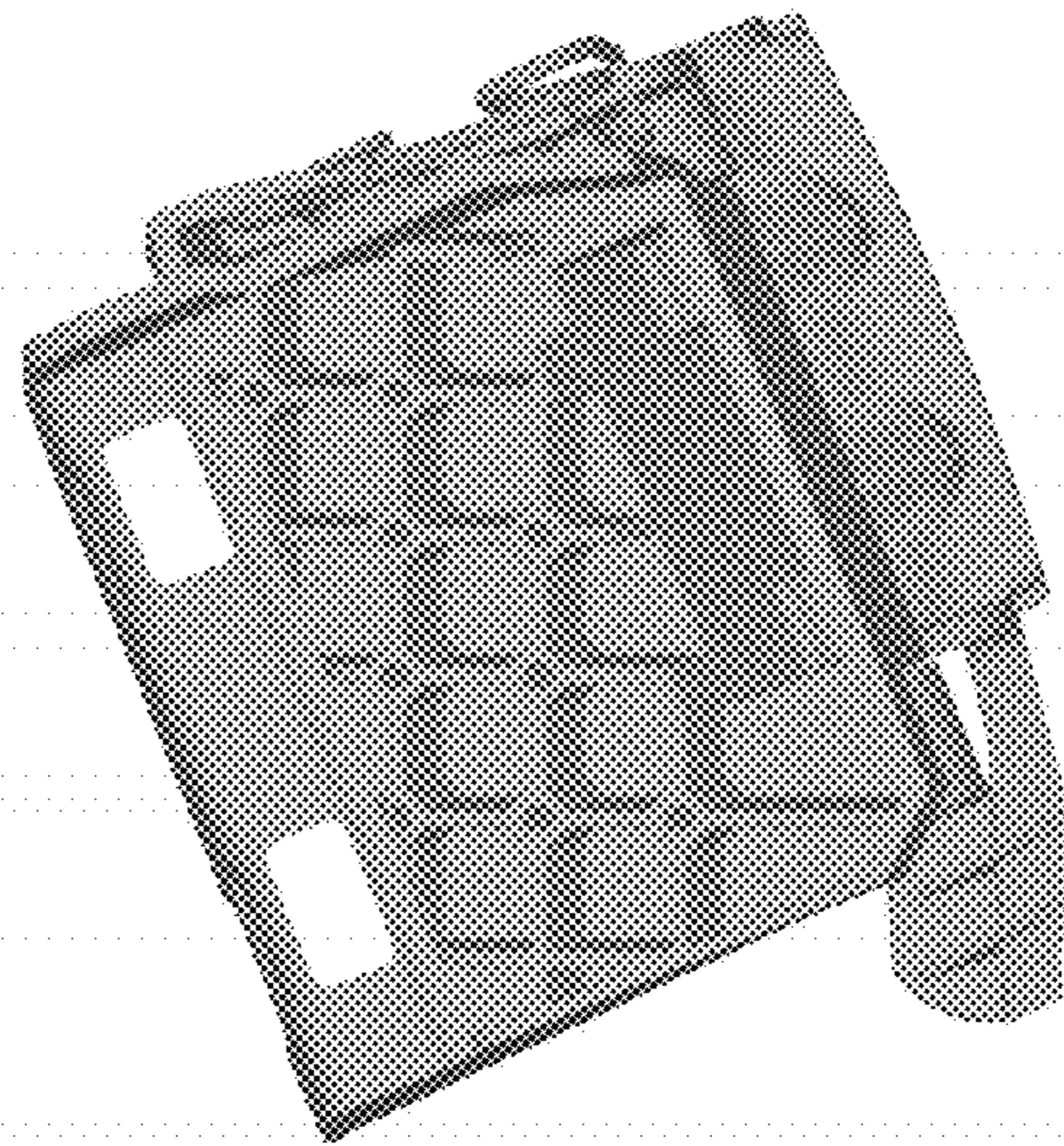


FIG. 5

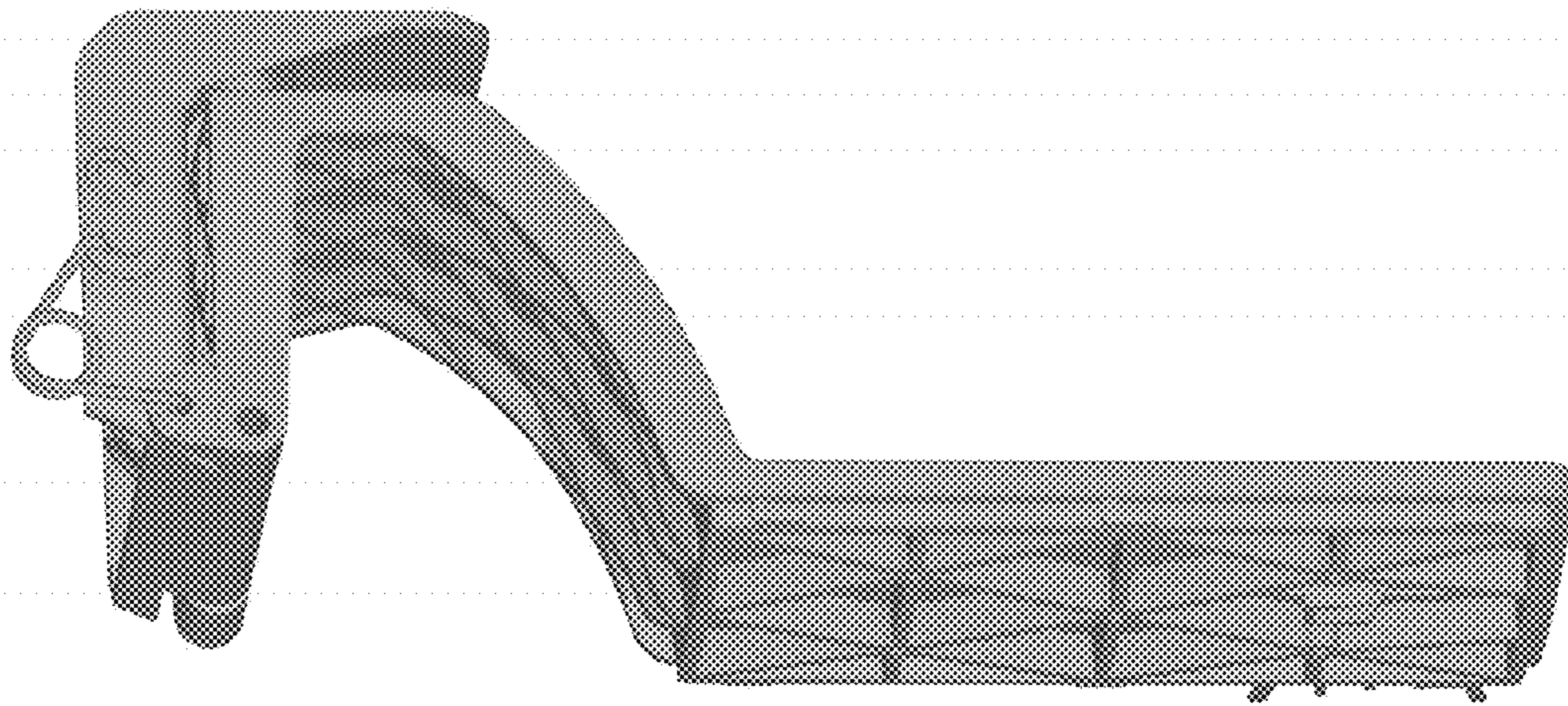


FIG. 6

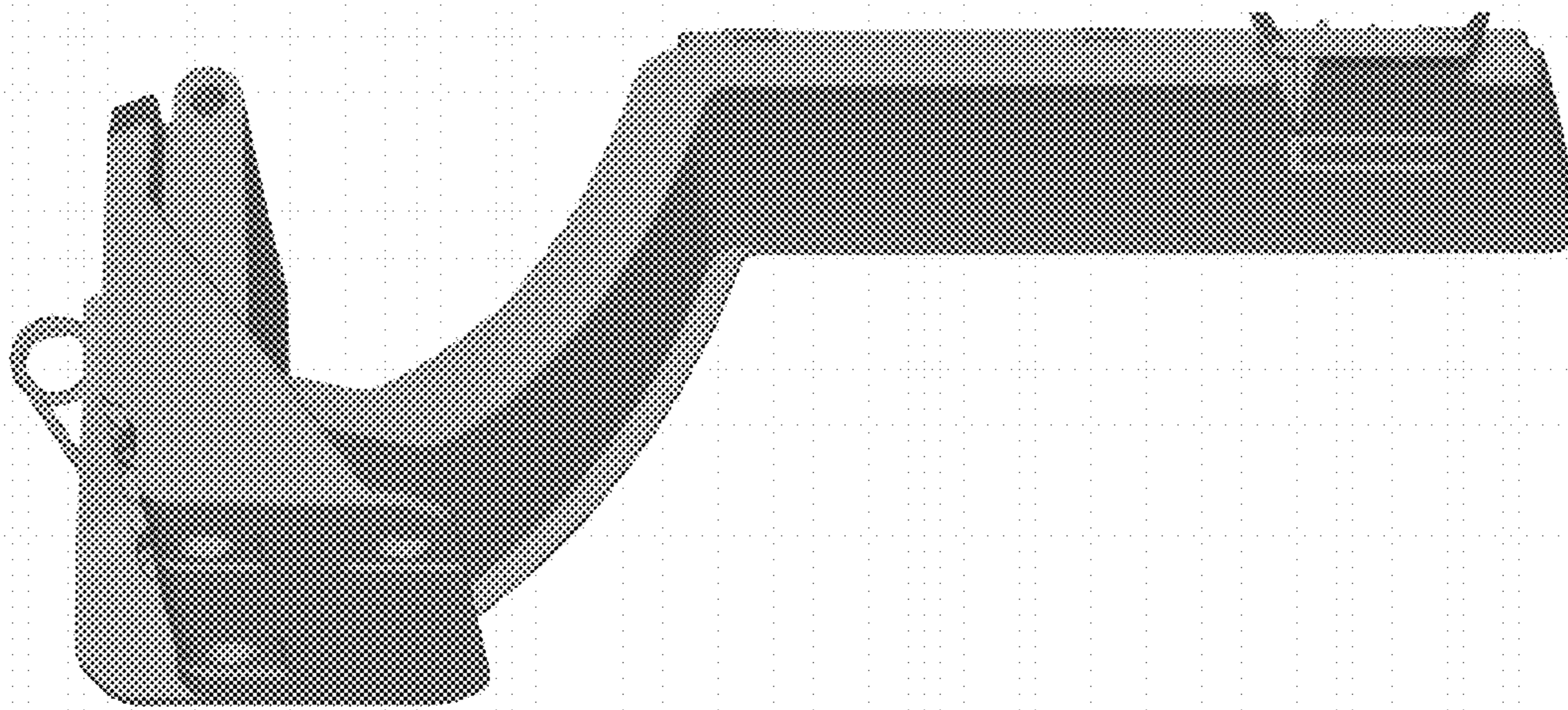


FIG. 7