



US00D818906S

(12) **United States Design Patent**
McMahan

(10) **Patent No.:** **US D818,906 S**

(45) **Date of Patent:** **** May 29, 2018**

(54) **VEHICLE HOOD**

(71) Applicant: **GM GLOBAL TECHNOLOGY OPERATIONS LLC**, Detroit, MI (US)

(72) Inventor: **Robert B. McMahan**, Bloomfield Hills, MI (US)

(73) Assignee: **GM Global Technology Operations LLC**, Detroit, MI (US)

(**) Term: **15 Years**

(21) Appl. No.: **29/584,695**

(22) Filed: **Nov. 16, 2016**

(51) **LOC (11) Cl.** **12-08**

(52) **U.S. Cl.**
USPC **D12/173**

(58) **Field of Classification Search**
USPC D12/90–92, 173, 181
CPC .. B60R 21/34; B60R 2021/343; B62D 25/105
See application file for complete search history.

(56) **References Cited**

U.S. PATENT DOCUMENTS

D437,270 S *	2/2001	Yokomaku	D12/173
D484,835 S *	1/2004	Chiang	D12/173
D522,939 S *	6/2006	Chiang	D12/173
D545,252 S *	6/2007	Chiang	D12/173
D548,152 S *	8/2007	Chiang	D12/173
D570,742 S	6/2008	Takagi et al.		
D592,105 S	5/2009	Dean et al.		
D597,447 S	8/2009	Folden		
D600,595 S	9/2009	Nakamura et al.		
D601,925 S	10/2009	O'Donnell		
D603,755 S	11/2009	Peters		
D604,203 S	11/2009	O'Donnell		
D605,082 S	12/2009	Munson		
D605,083 S	12/2009	Manoogian, II et al.		

D605,977 S	12/2009	Zipfel et al.		
D605,978 S	12/2009	Wolff et al.		
D608,249 S	1/2010	Peters		
D608,690 S	1/2010	Folden et al.		
D608,691 S	1/2010	Zak, Jr. et al.		
D609,608 S	2/2010	Boniface et al.		
D611,387 S	3/2010	Thompson et al.		
D611,879 S	3/2010	Kim et al.		
D612,297 S	3/2010	Peters et al.		
D613,645 S	4/2010	Song et al.		
D615,458 S	5/2010	Thompson et al.		
D618,595 S	6/2010	Ware et al.		
D623,090 S	9/2010	Cox et al.		
D623,100 S *	9/2010	Bimbi	D12/173
D627,262 S	11/2010	Ikeda et al.		
D635,488 S	4/2011	Phipps		
D640,959 S *	7/2011	Furst	D12/173
D641,669 S *	7/2011	Vardis	D12/173
D644,147 S	8/2011	Suh et al.		
D644,567 S	9/2011	Kozub		
D657,718 S	4/2012	Zipfel et al.		
D659,052 S	5/2012	Ware et al.		
D659,053 S	5/2012	Ware et al.		
D668,182 S	10/2012	Franco et al.		

(Continued)

Primary Examiner — John Windmuller

Assistant Examiner — Melvin L Davis

(74) *Attorney, Agent, or Firm* — Reising Ethington P.C.

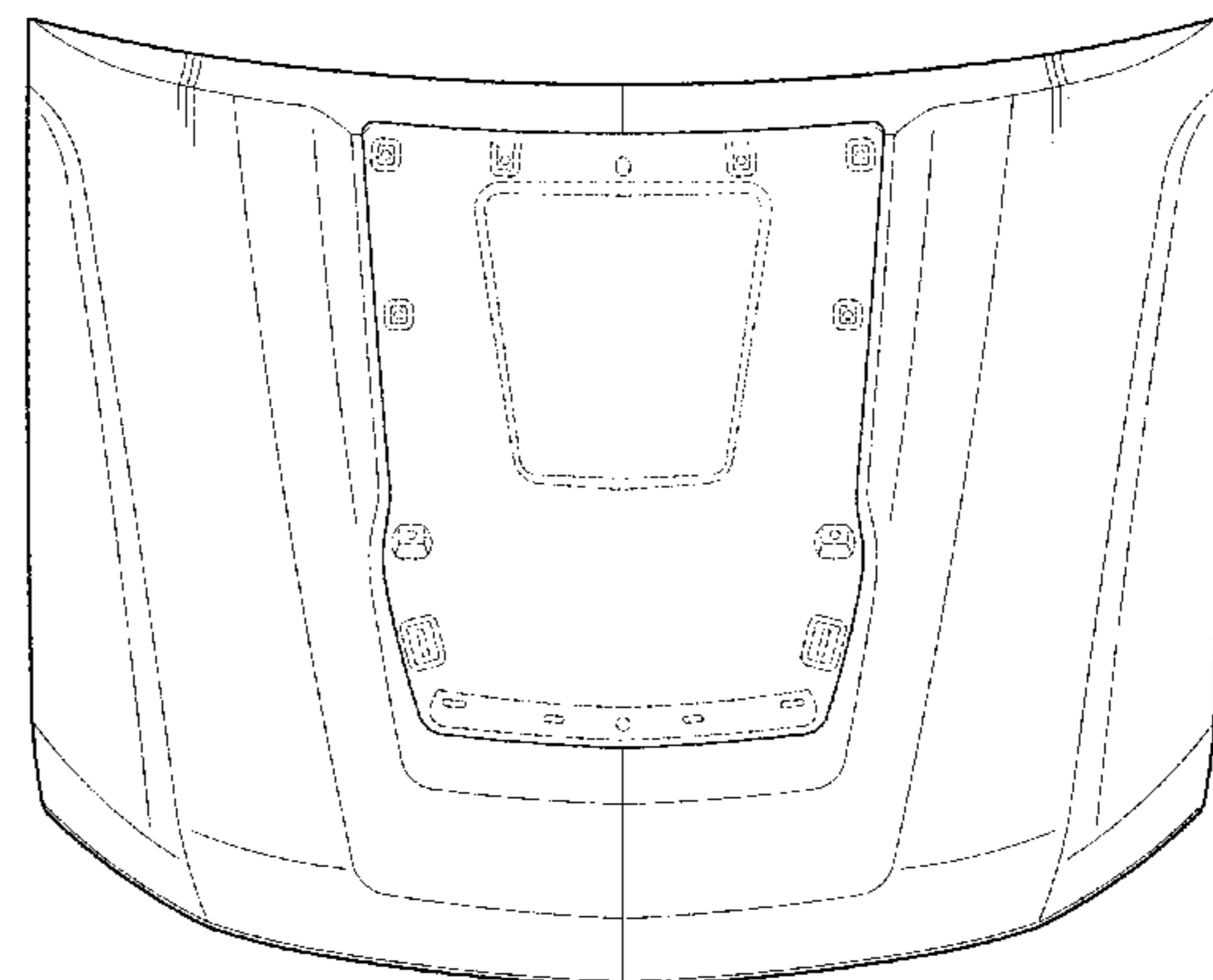
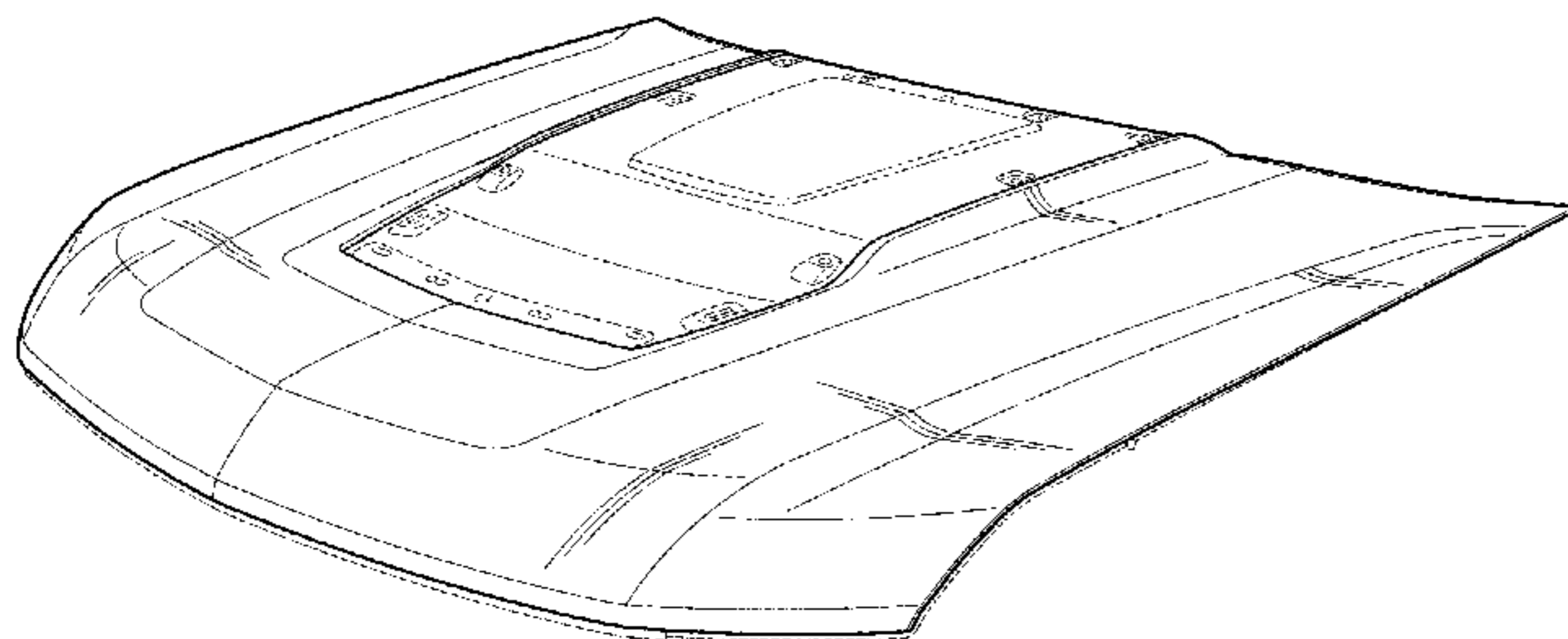
(57) **CLAIM**

The ornamental design for a vehicle hood, as shown and described.

DESCRIPTION

FIG. 1 is a perspective view of the vehicle hood;
FIG. 2 is a front view thereof;
FIG. 3 is a side view thereof; and,
FIG. 4 is a top view thereof.
The broken lines depicts portions of the article that form no part of the claimed design.

1 Claim, 2 Drawing Sheets



(56)

References Cited

U.S. PATENT DOCUMENTS

D668,183 S 10/2012 Smart
 D678,820 S 3/2013 Son et al.
 D678,821 S 3/2013 Ikeda et al.
 D680,909 S 4/2013 Munson et al.
 D680,910 S 4/2013 David
 D684,899 S 6/2013 Baker
 D686,536 S 7/2013 McCabe et al.
 D692,798 S 11/2013 Thurber
 D692,799 S 11/2013 Smith et al.
 D696,157 S 12/2013 Loeb
 D699,629 S 2/2014 Ikeda et al.
 D700,871 S 3/2014 O'Donnell et al.
 D703,103 S 4/2014 Lee
 D704,103 S 5/2014 Mack et al.
 D705,132 S 5/2014 Ware et al.
 D705,699 S 5/2014 Ware et al.
 D706,185 S * 6/2014 MacKay D12/173
 D713,298 S 9/2014 Dyson
 D713,764 S 9/2014 Ferlazzo et al.
 D716,696 S 11/2014 Thole et al.
 D716,706 S 11/2014 Thole et al.
 D716,709 S 11/2014 Thole et al.
 D717,696 S 11/2014 Thole et al.
 D718,189 S 11/2014 Krieg et al.
 D718,683 S 12/2014 Thole et al.
 D718,684 S * 12/2014 Thole D12/173
 D722,282 S 2/2015 Loeb
 D722,533 S 2/2015 Thole et al.
 D722,534 S 2/2015 Munson et al.
 D724,510 S 3/2015 McMahan et al.
 D725,001 S 3/2015 McMahan et al.
 D726,591 S 4/2015 Jacob
 D730,776 S 6/2015 Smart
 D730,783 S 6/2015 Henriques et al.
 D732,427 S 6/2015 Loeb
 D732,429 S 6/2015 Loeb
 D732,430 S 6/2015 Loeb
 D732,431 S 6/2015 Loeb
 D732,432 S 6/2015 Aengenheyster
 D732,433 S 6/2015 Aengenheyster
 D732,435 S 6/2015 Mackay
 D733,002 S 6/2015 Loeb
 D735,611 S 8/2015 Aengenheyster
 D735,625 S * 8/2015 Mays D12/173
 D735,627 S 8/2015 Smith
 D736,451 S 8/2015 Smith
 D739,306 S 9/2015 McMahan
 D739,317 S 9/2015 McMahan et al.
 D741,223 S 10/2015 Kim et al.
 D743,309 S 11/2015 Thole et al.
 D743,313 S 11/2015 Smith et al.

D743,314 S 11/2015 Thole et al.
 D743,857 S 11/2015 McMahan et al.
 D744,158 S 11/2015 Willett et al.
 D745,086 S 12/2015 Finos et al.
 D745,719 S 12/2015 Boniface et al.
 D745,725 S 12/2015 McMahan et al.
 D745,726 S 12/2015 McMahan et al.
 D745,837 S 12/2015 Smith et al.
 D746,726 S 1/2016 Smith et al.
 D746,727 S 1/2016 Smith et al.
 D746,728 S 1/2016 Smith et al.
 D746,729 S 1/2016 Boniface et al.
 D746,730 S 1/2016 Kim et al.
 D747,514 S 1/2016 McMahan et al.
 D747,515 S 1/2016 McMahan et al.
 D747,819 S 1/2016 Thole et al.
 D749,021 S 2/2016 Boniface et al.
 D749,026 S 2/2016 Smith et al.
 D749,027 S 2/2016 McMahan et al.
 D749,246 S 2/2016 Thole et al.
 D749,249 S 2/2016 Thole et al.
 D749,250 S 2/2016 Thole et al.
 D749,985 S 2/2016 Kozub et al.
 D749,997 S 2/2016 McMahan et al.
 D750,001 S 2/2016 Thole et al.
 D753,032 S 4/2016 Smith et al.
 D753,033 S 4/2016 Thole et al.
 D753,034 S 4/2016 Thole et al.
 D753,035 S 4/2016 Boniface et al.
 D753,559 S 4/2016 McMahan et al.
 D753,560 S 4/2016 McMahan et al.
 D753,567 S 4/2016 Boniface et al.
 D754,571 S 4/2016 Boniface et al.
 D754,572 S 4/2016 McMahan et al.
 D755,088 S 5/2016 McMahan et al.
 D756,869 S 5/2016 McMahan et al.
 D758,271 S 6/2016 McMahan et al.
 D762,148 S * 7/2016 Platto D12/173
 D767,449 S 9/2016 Pevovar et al.
 D767,450 S 9/2016 Lee et al.
 D767,451 S 9/2016 Kozub et al.
 D767,454 S 9/2016 McMahan et al.
 D767,458 S 9/2016 Kim
 D767,459 S 9/2016 Kim
 D767,460 S 9/2016 Kozub et al.
 D767,461 S 9/2016 Kozub et al.
 D771,528 S 11/2016 Smith et al.
 D771,529 S 11/2016 Thole et al.
 D771,532 S 11/2016 Kapitonov
 D771,533 S 11/2016 Kapitonov
 D775,021 S * 12/2016 Harriton D12/173
 D795,765 S * 8/2017 Rolfs D12/173

* cited by examiner

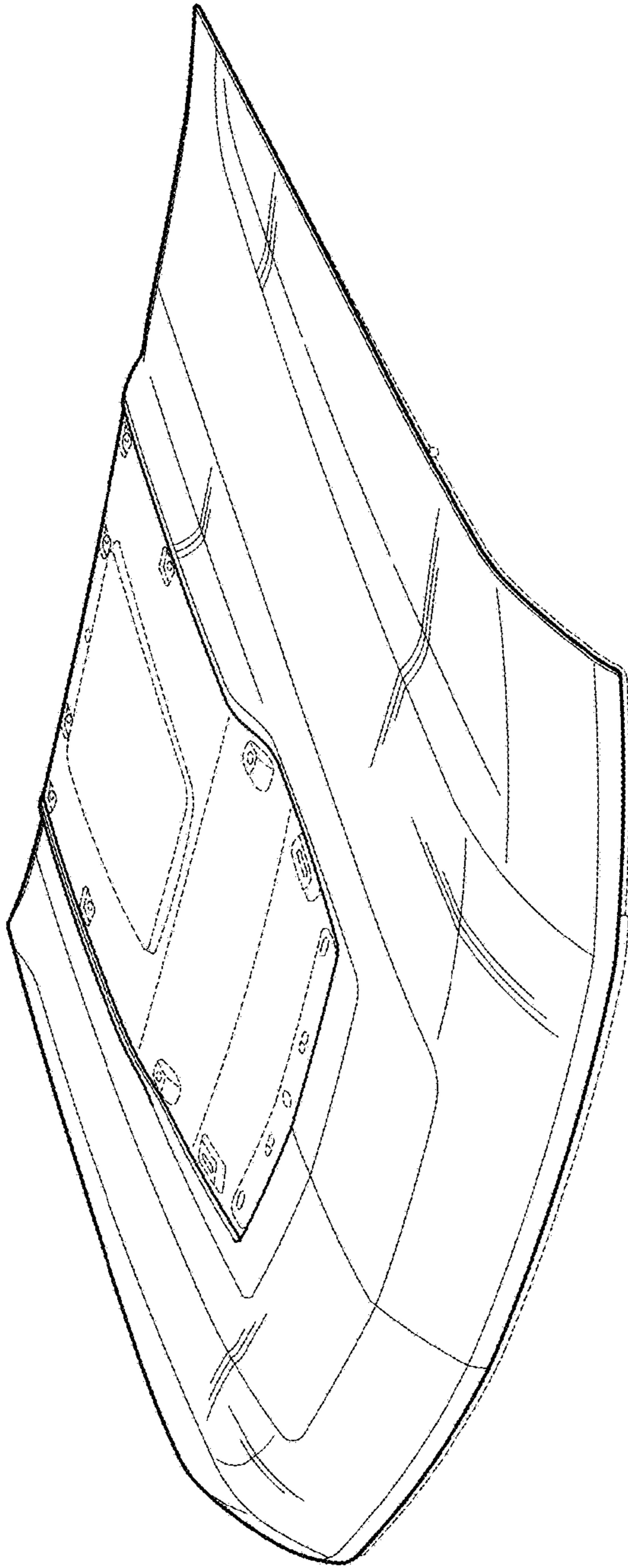


FIG. 1

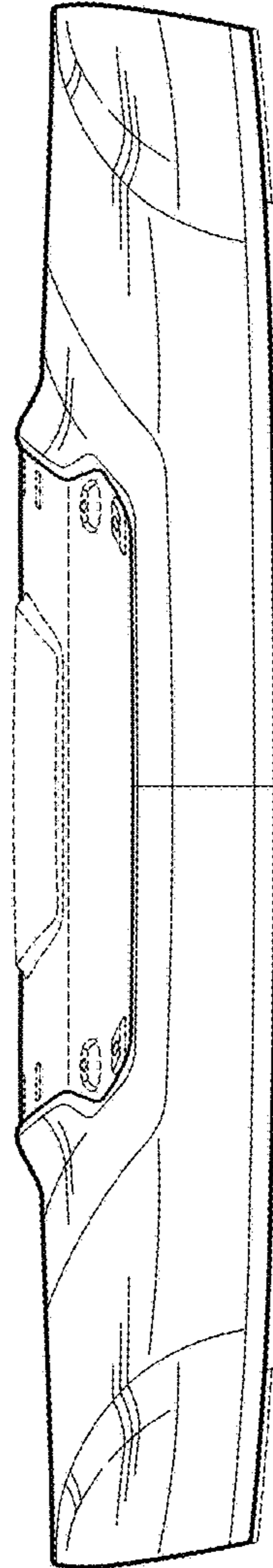


FIG. 2

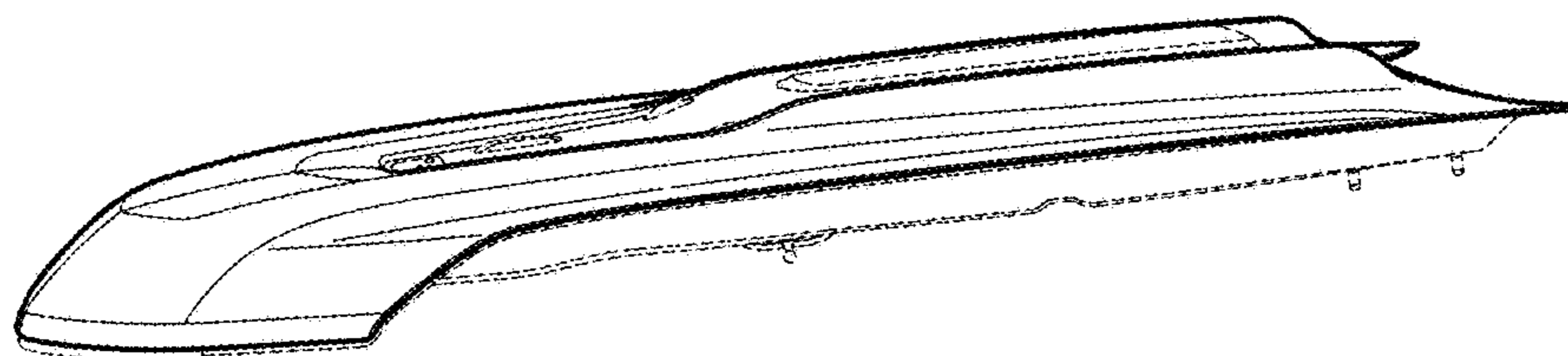


FIG. 3

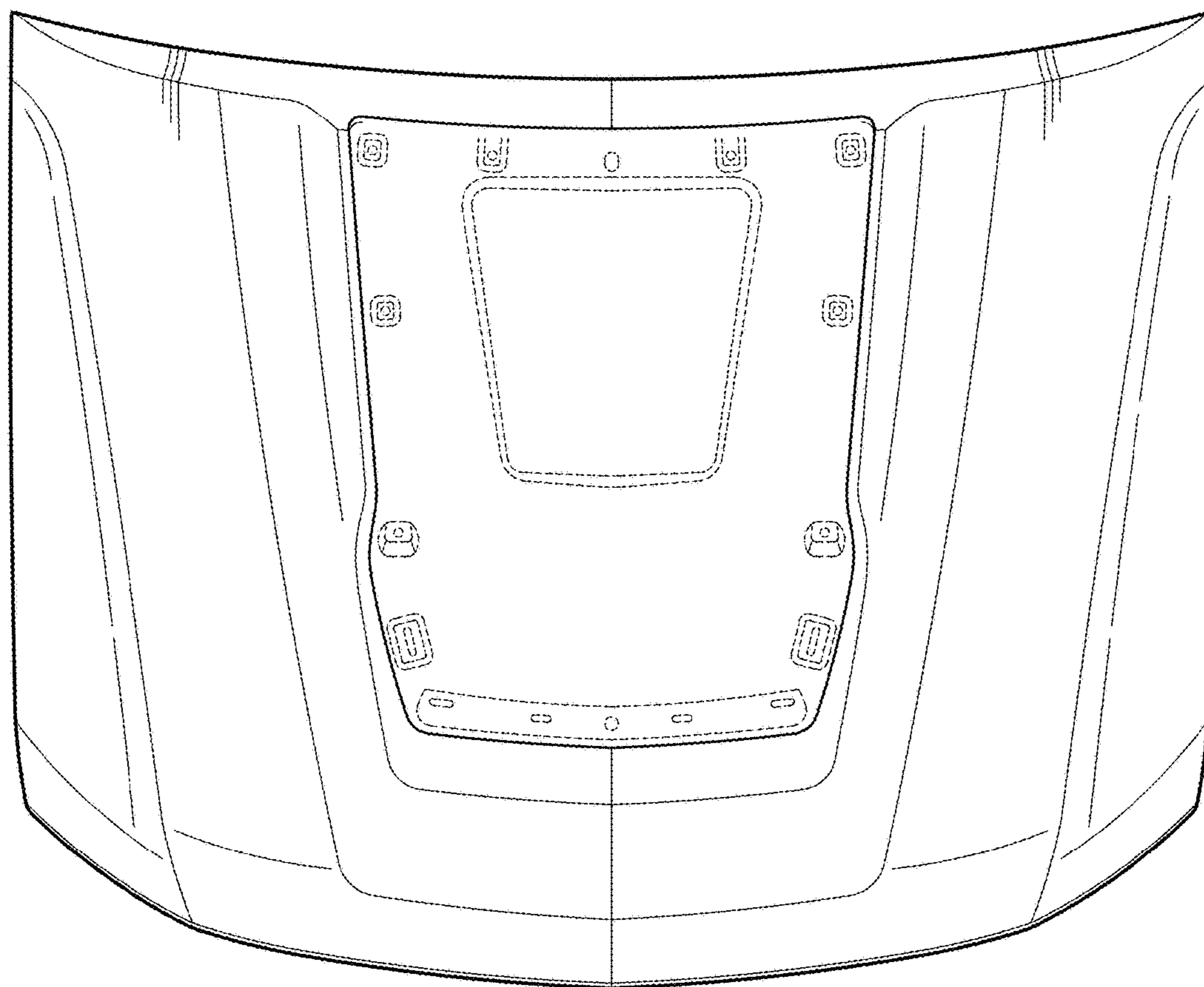


FIG. 4